

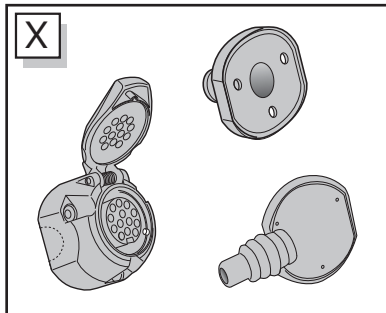
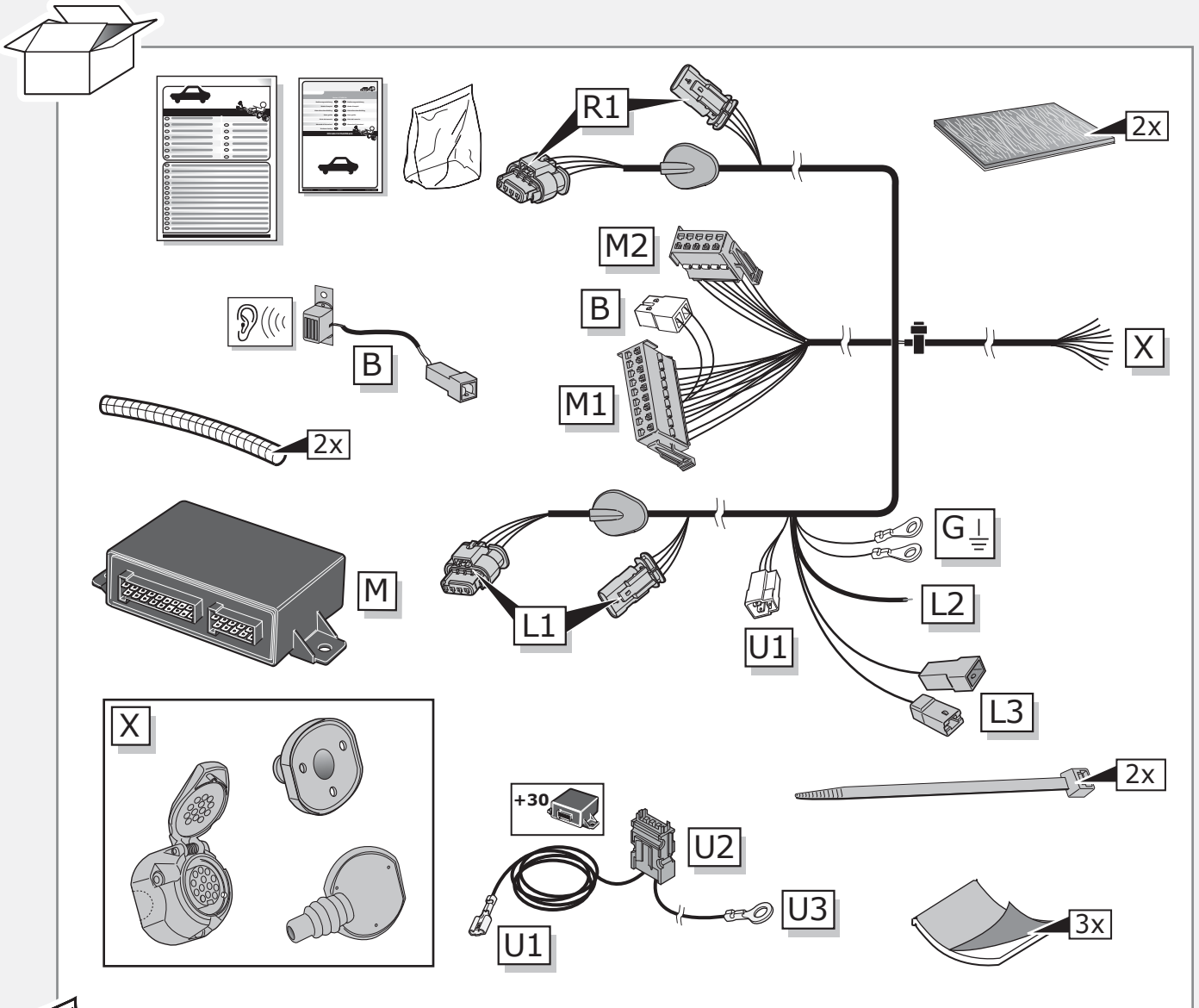
**Fiat Panda (319) 02/2012-, 4x4 10/2012-  
Fiat Panda (319) Trekking 10/2012-, Cross 10/2014-**

**Partnr.: FI-036-DHU**

- Fitting instructions electric wiring kit tow bar with 13-P socket up to DIN/ISO Norm 11446.
- We would expressly point out that assembly not carried out properly by a competent installer will result in cancellation of any right to damage compensation, in particular those arising by virtue of the product liability act.
- Contents of these kits and their fitting manuals are subject to alteration without notice, please ensure that these instructions are read and fully understood before commencing installation.
- Do not overload circuits; the maximum loads per connection are detailed in this manual.
- Attention! Before Installation, please read this manual carefully and inform your customer to consult the vehicle owners manual to check for any vehicle modifications required before towing.
- In the event of functional problems, troubleshooting must be limited to about 0.5 hours, contact the technical support:  
[ukts@ecs-electronics.com](mailto:ukts@ecs-electronics.com) / 07440 202 052.



# Part list



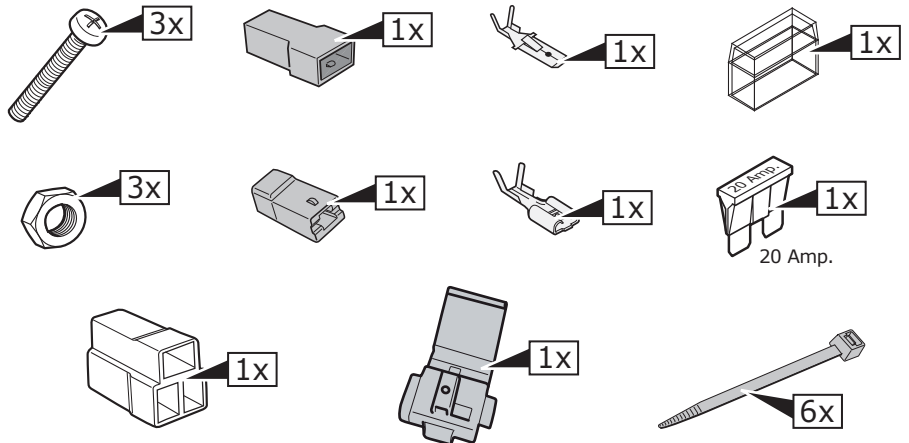
**\* OPTION P.D.C.**

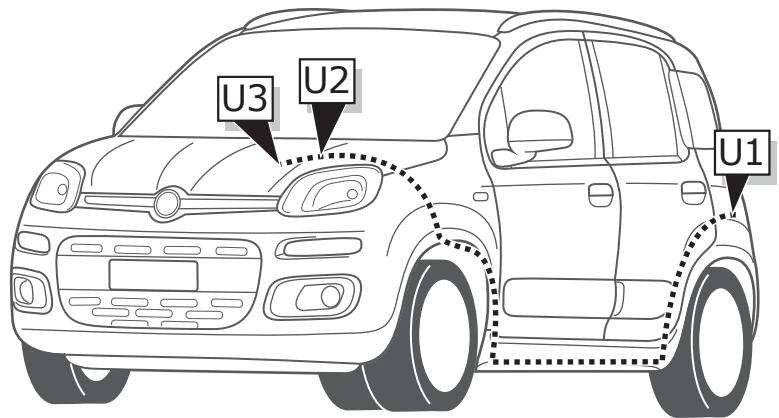
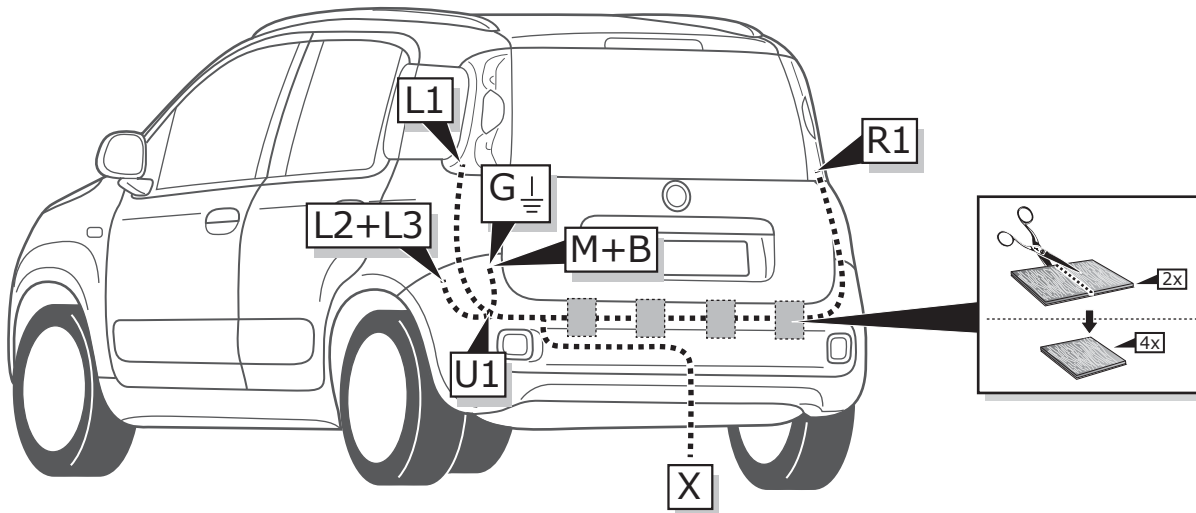
PARK DISTANCE CONTROL

PARK DISTANCE CONTROL

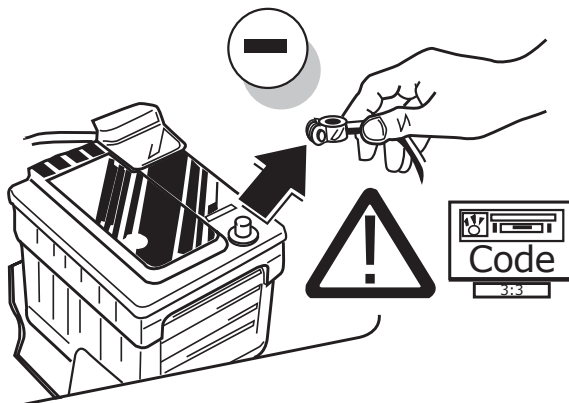
3x

**Pag. 13**

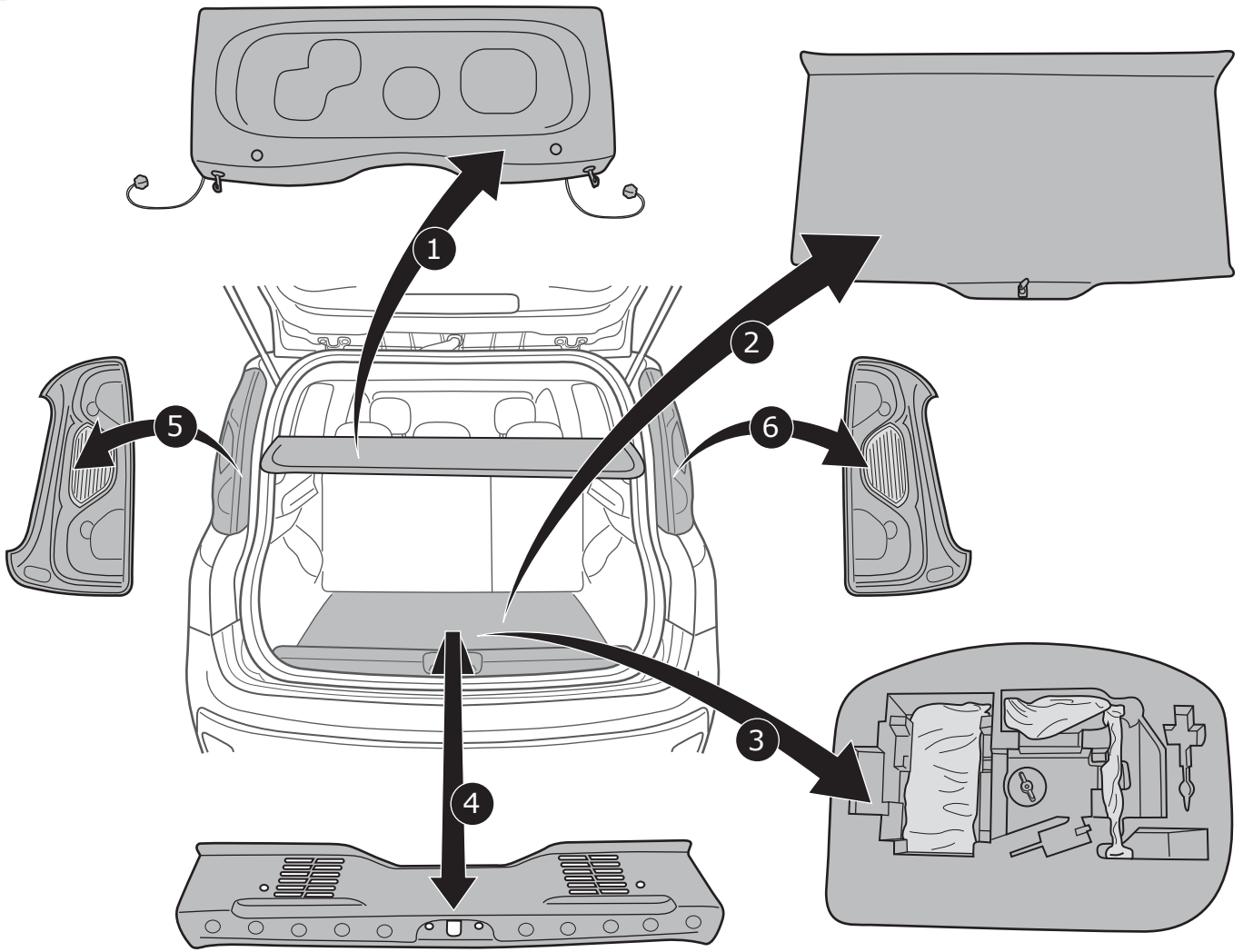




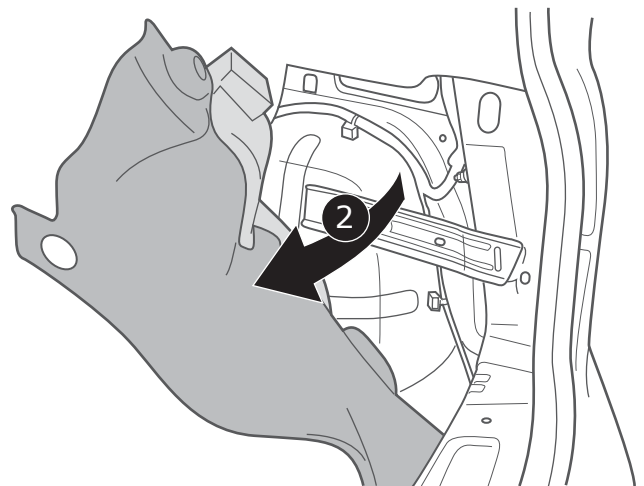
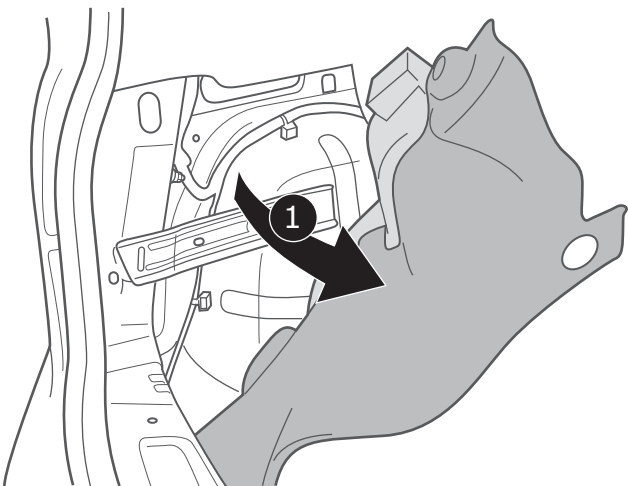
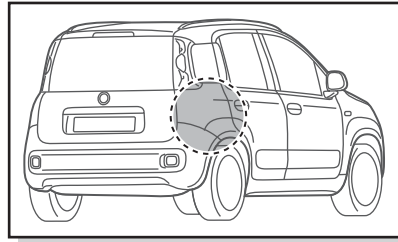
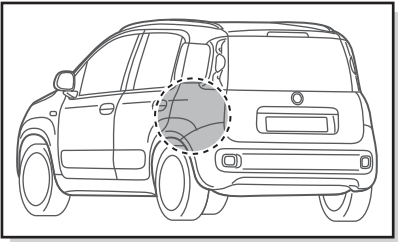
1

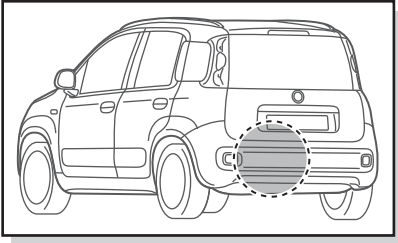


2

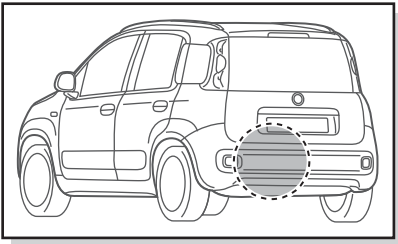
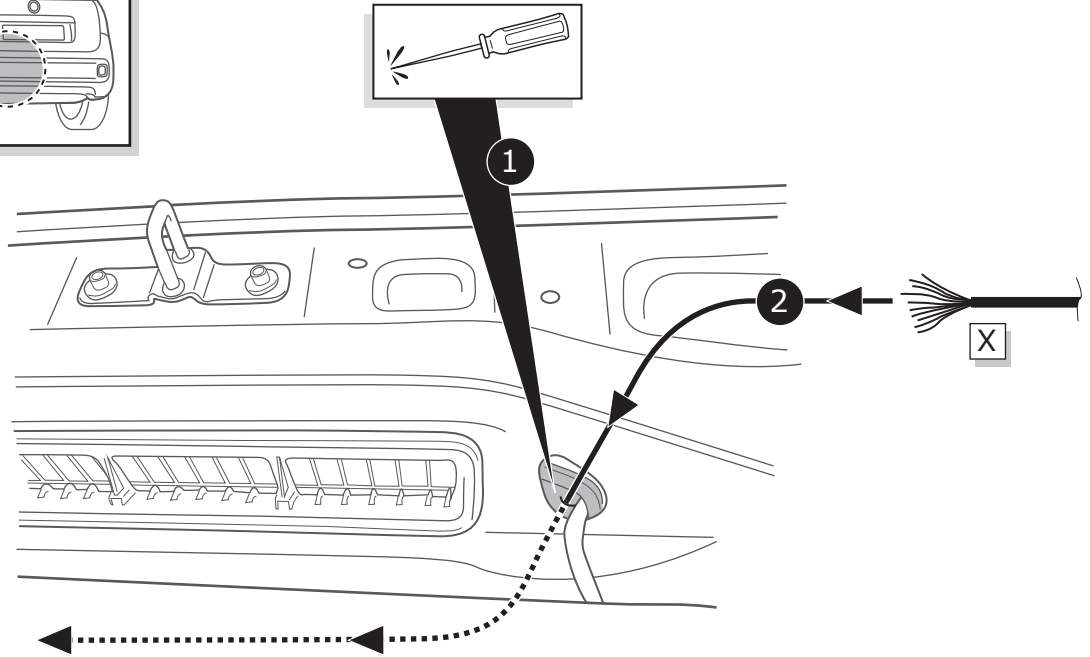


3

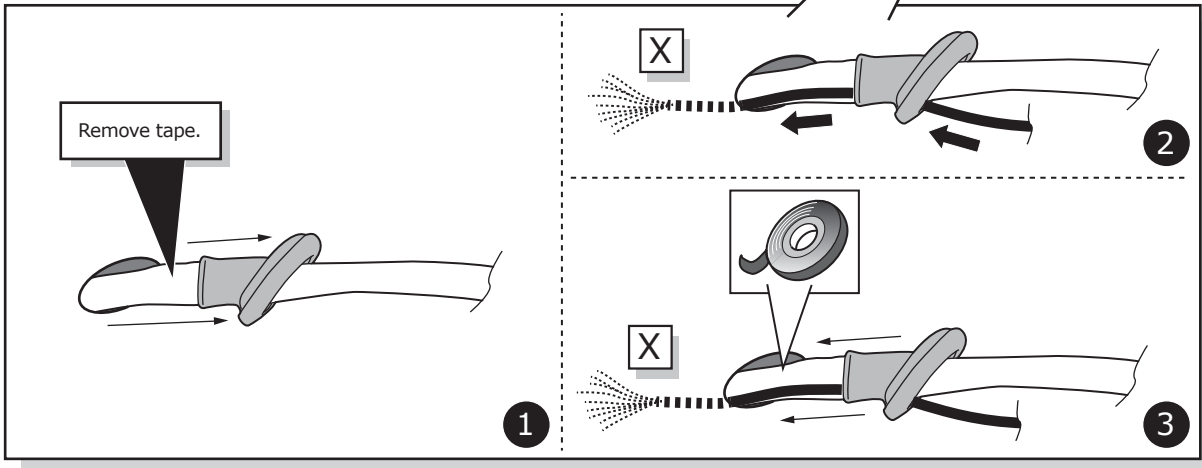
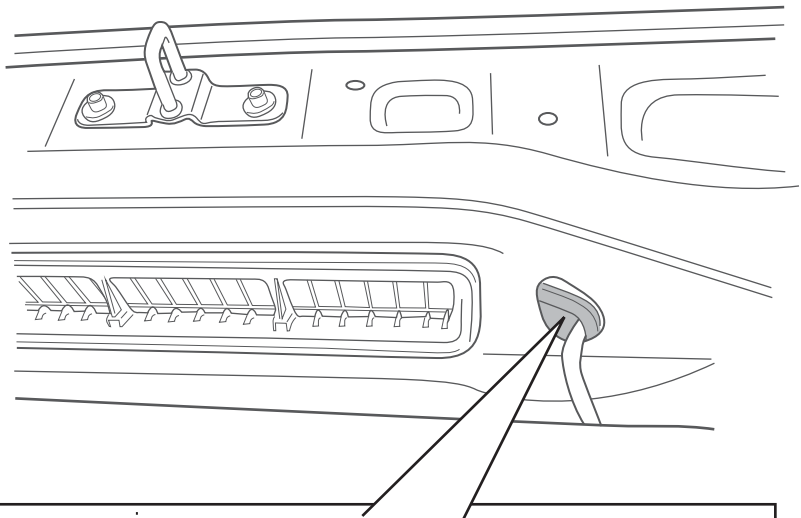


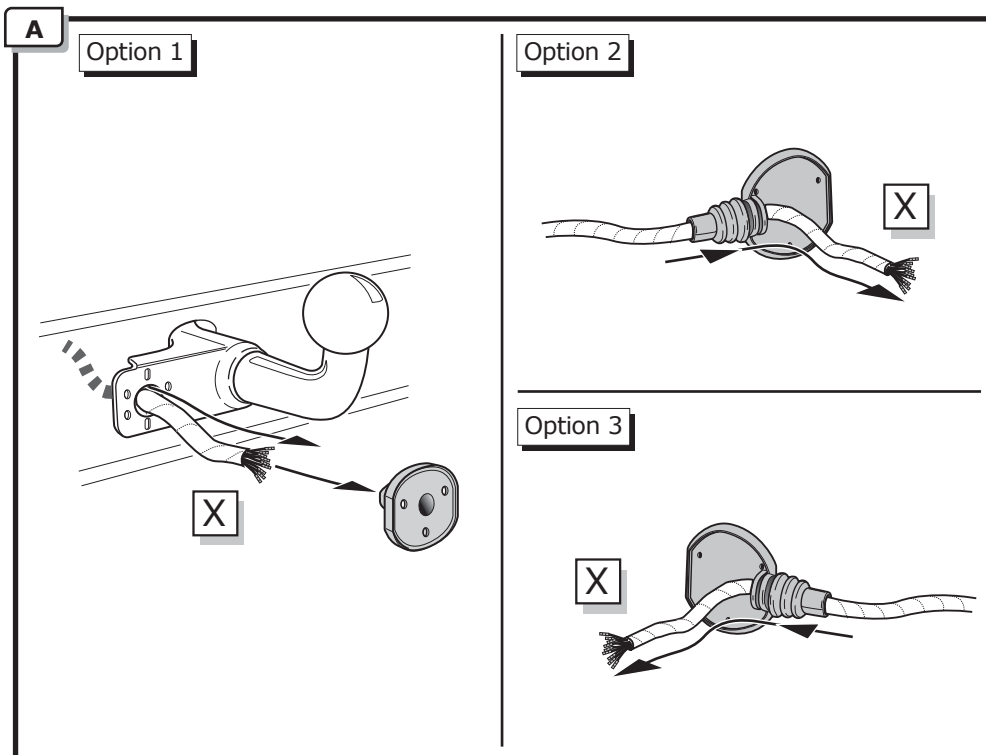


Option 1



Option 2

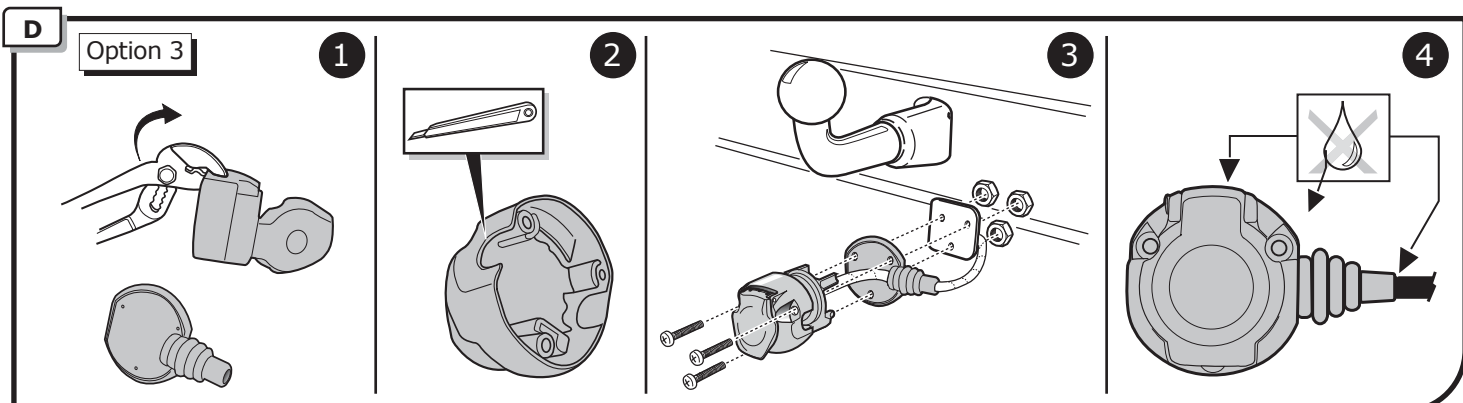
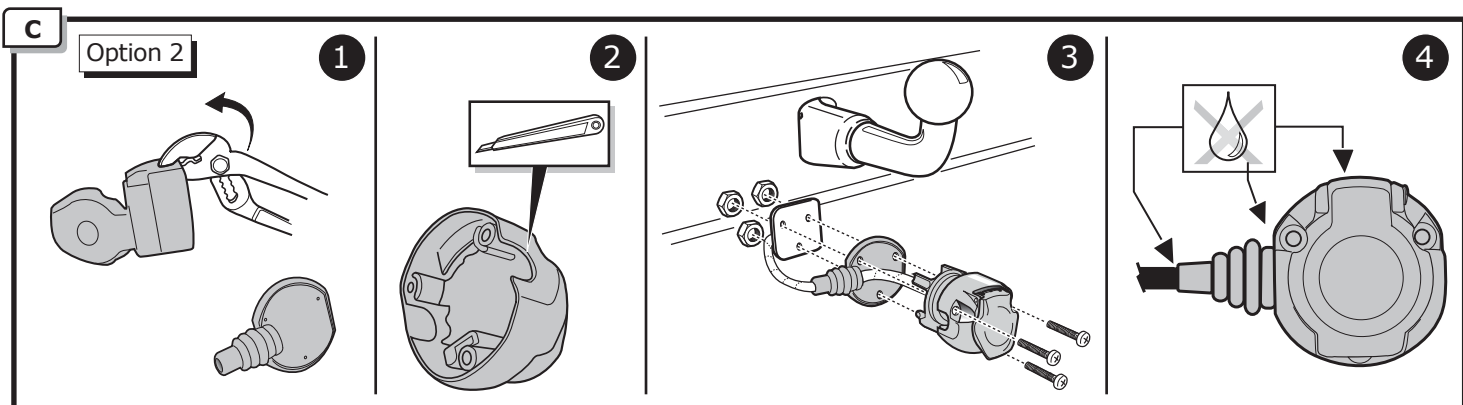
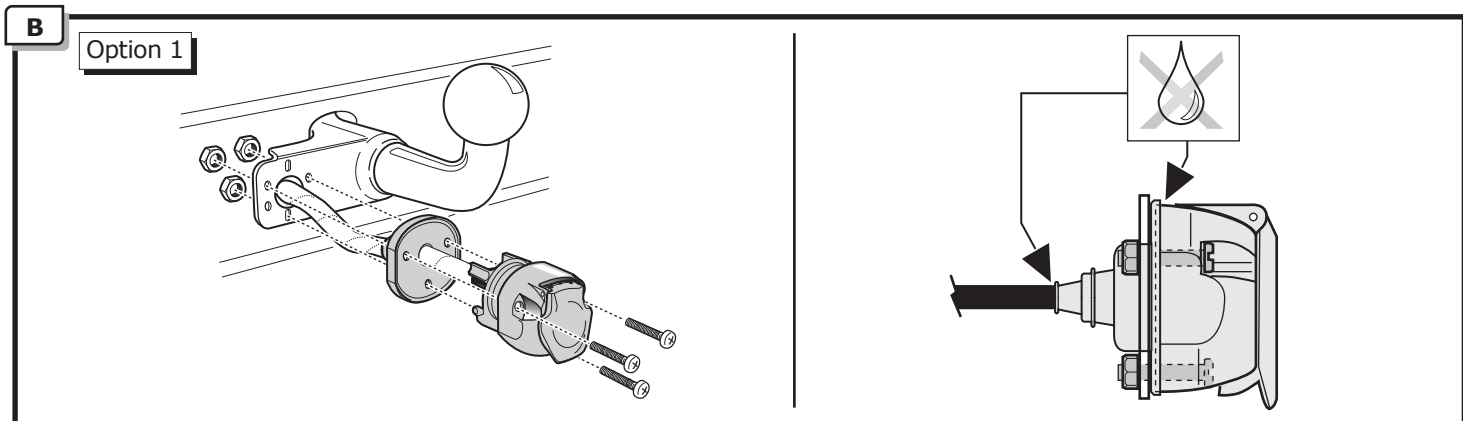


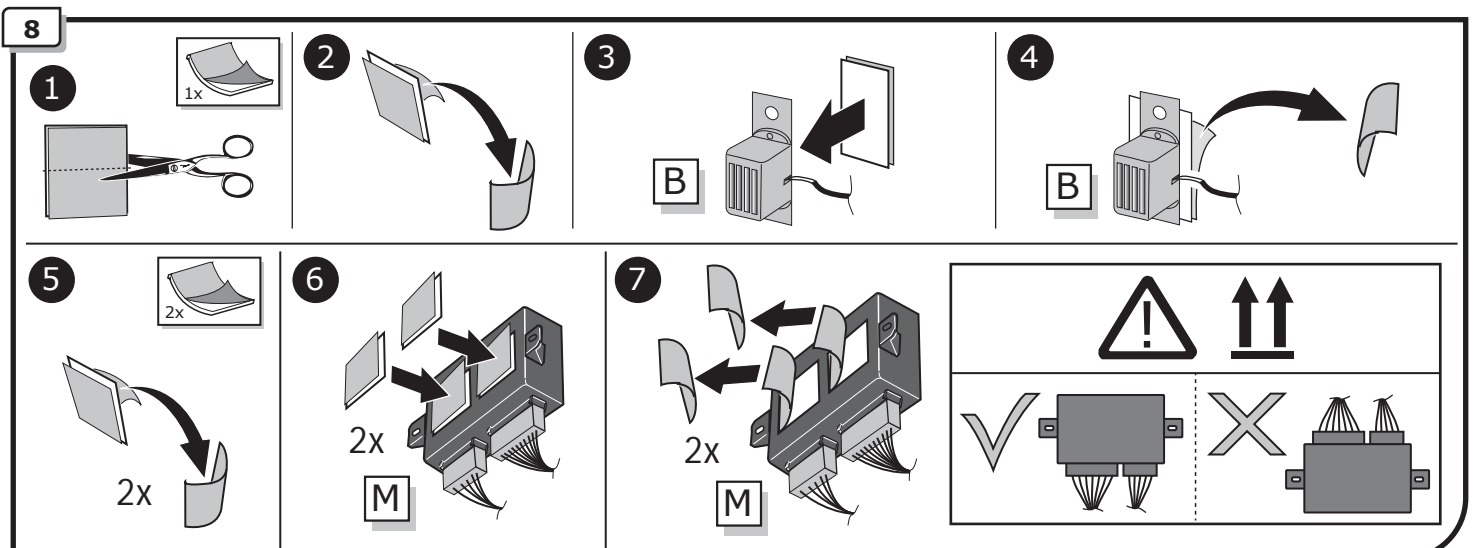
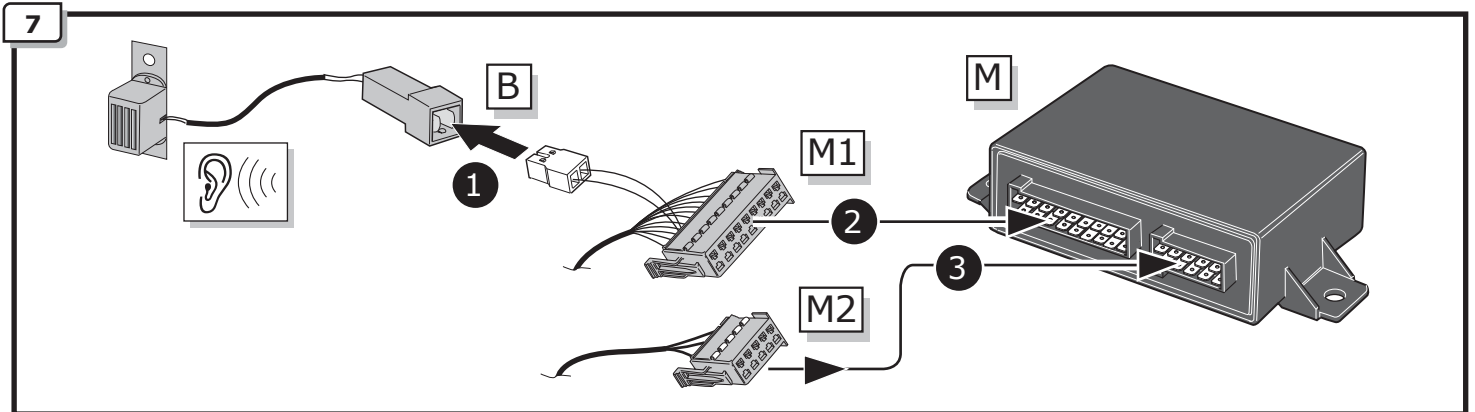
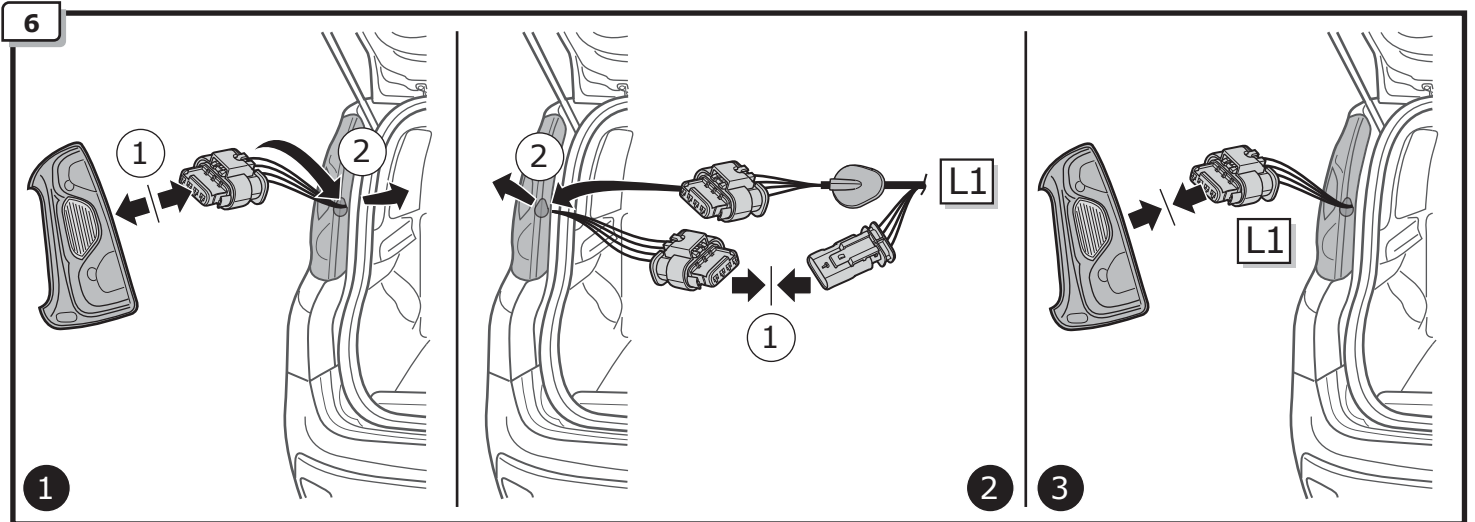
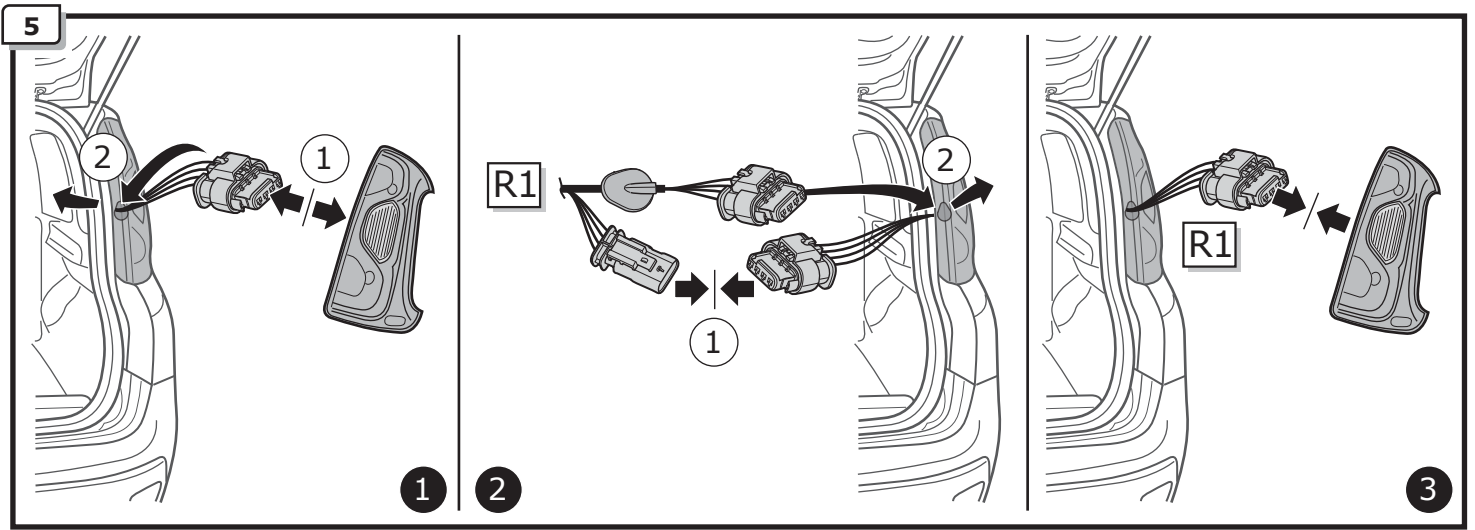


**INFO**

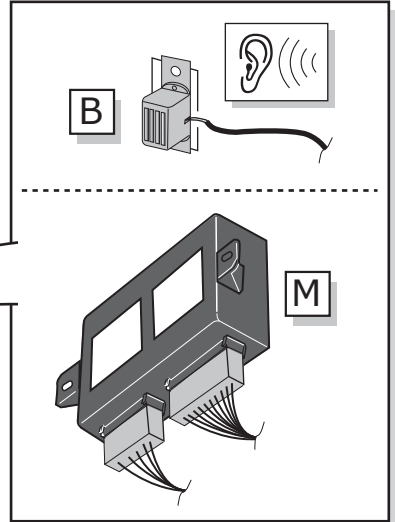
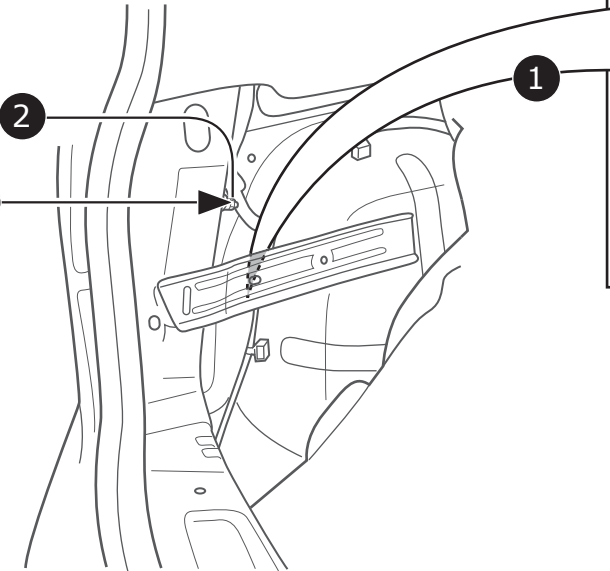
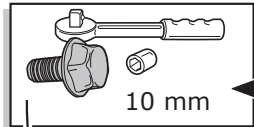
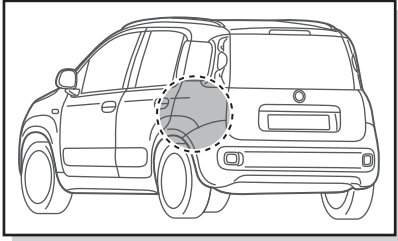
SOCKET CONNECTION

Pag. 12

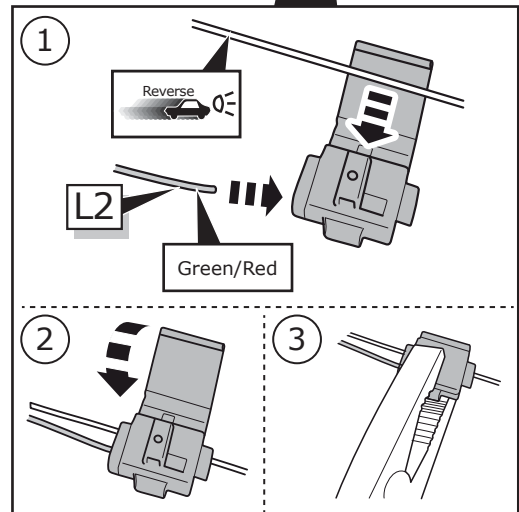
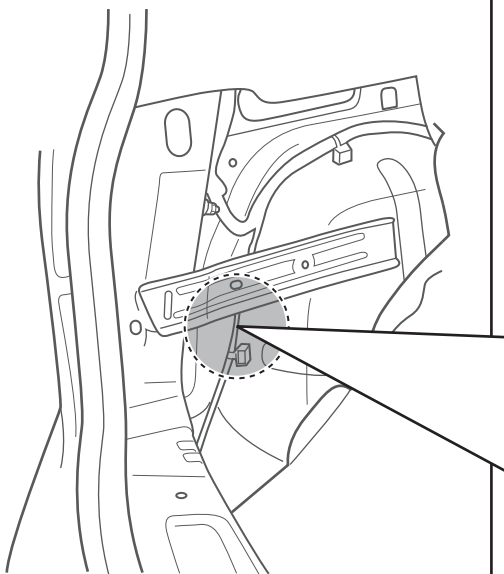
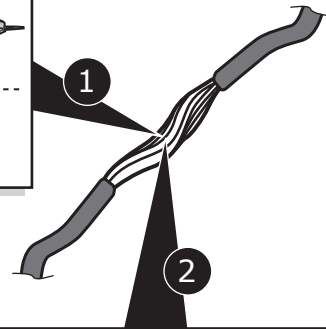
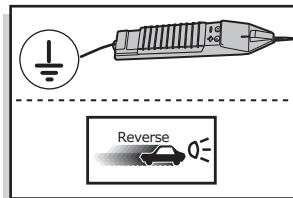
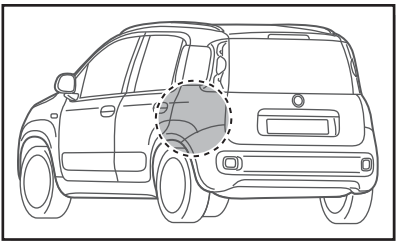




9

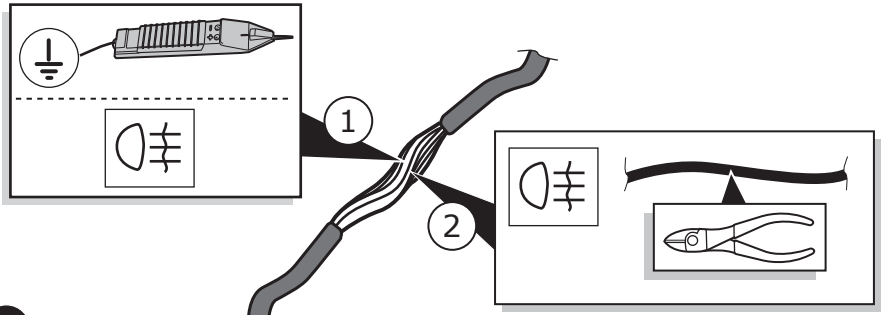
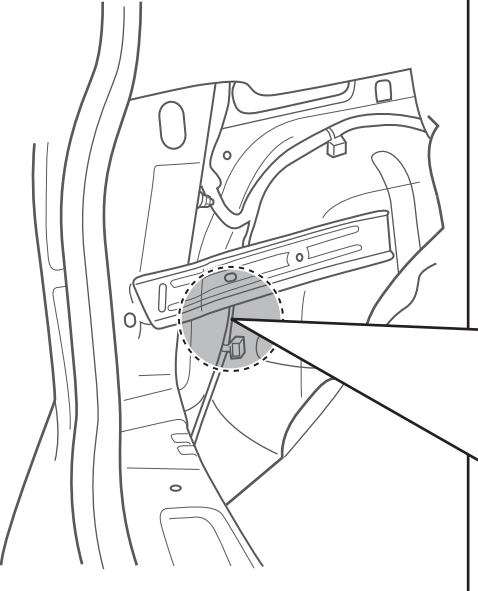
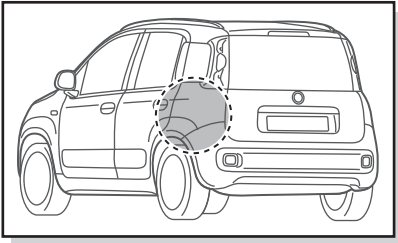


10

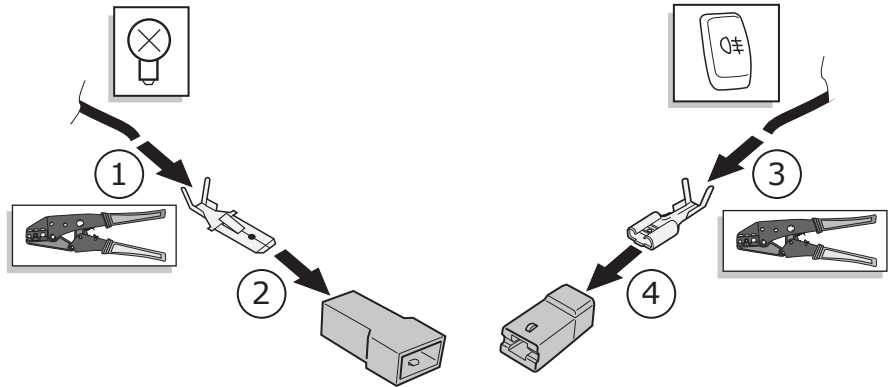




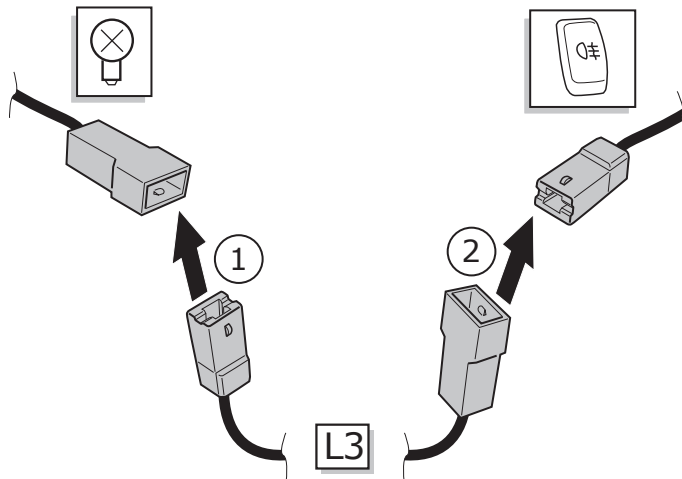
11



1

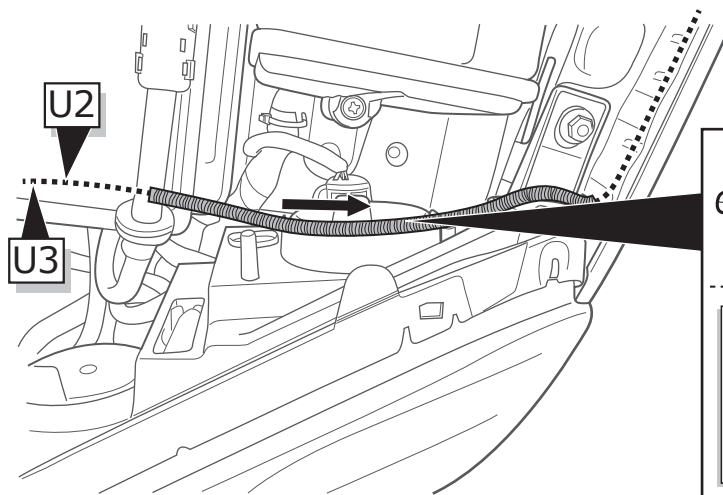
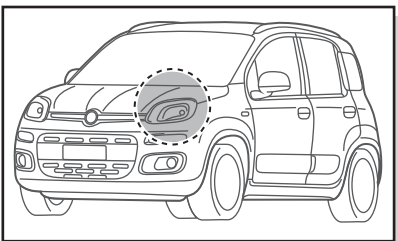


2



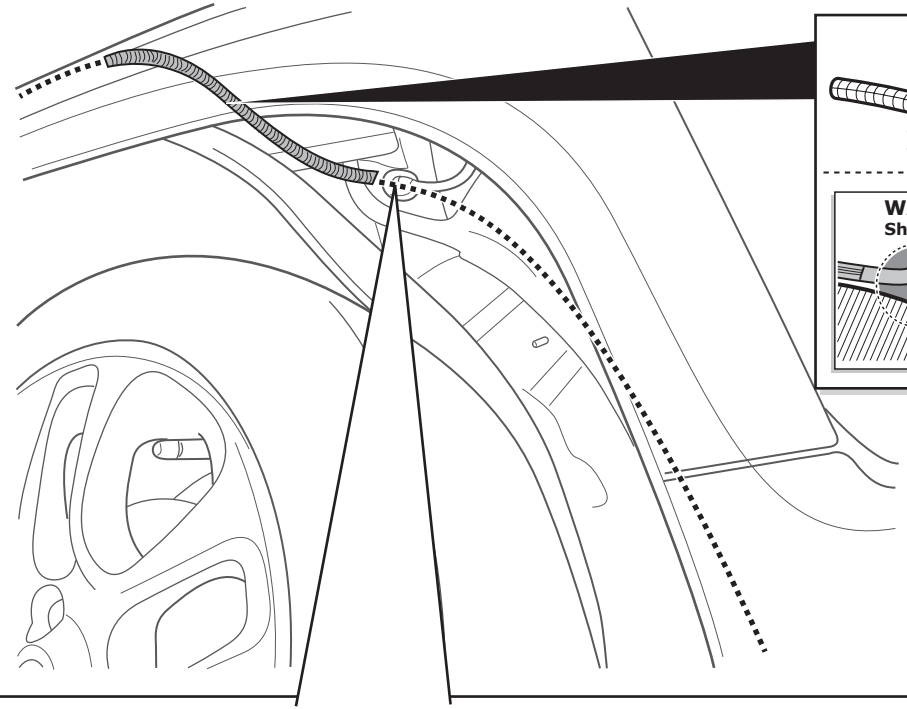
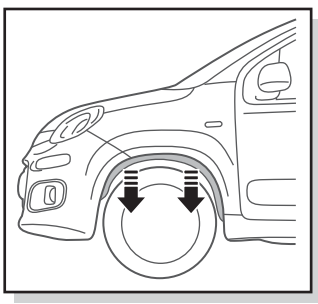
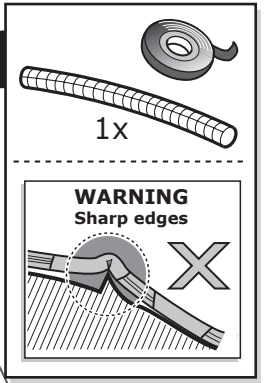
3

12



1x

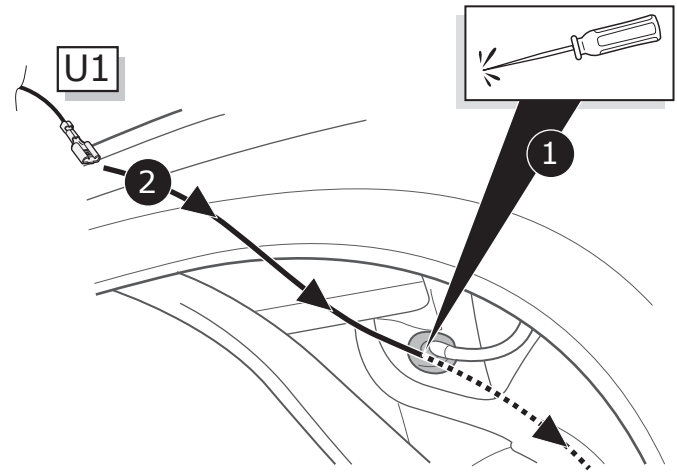
**WARNING**  
Sharp edges

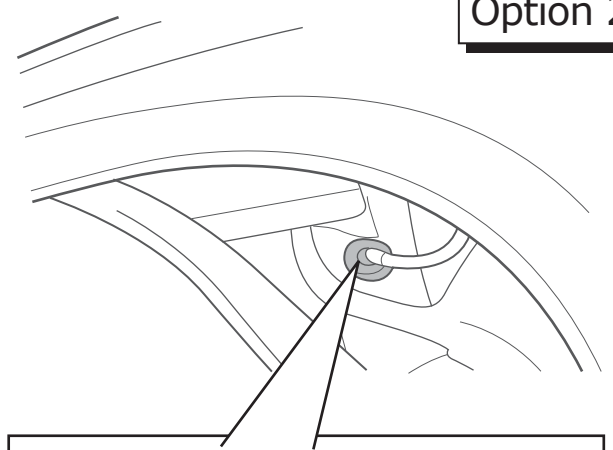
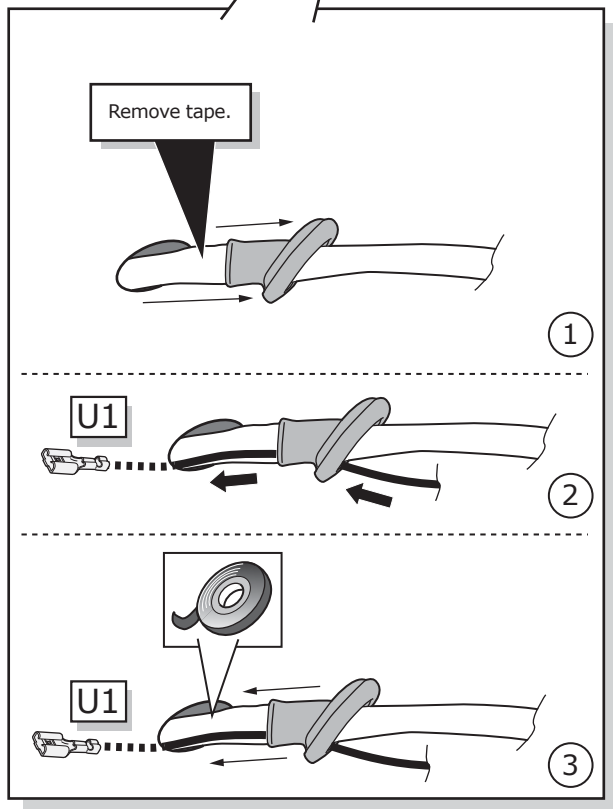
1x

**WARNING**  
Sharp edges

Option 1



Option 2

Remove tape.

1

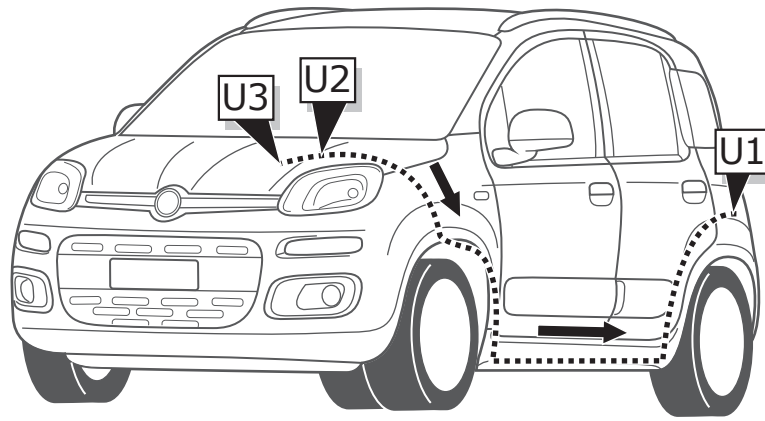
U1

2

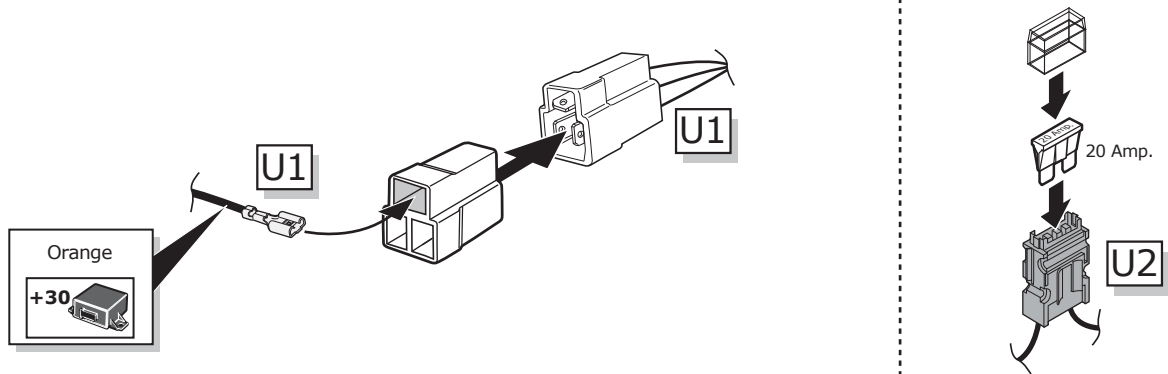
U1

3

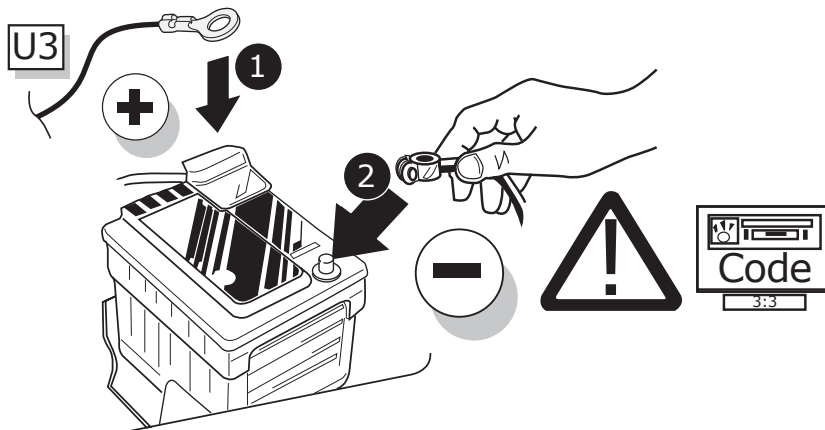
14



15



16



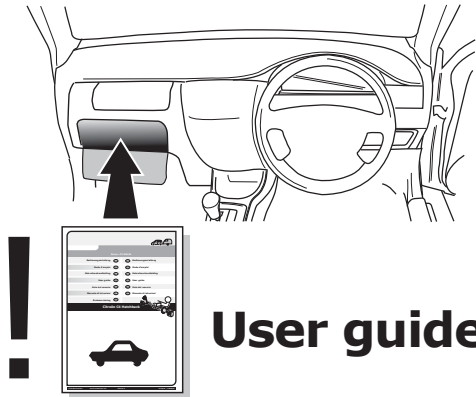
17

**!** TEST ALL THE CIRCUITS WITH A TEST DEVICE WITH THE CORRECT POWER LOAD FOR EACH FUNCTION. A TEST DEVICE WITH LED'S CANNOT BE USED FOR THIS PURPOSE.

**INFO**

REINSTALL TRIM.

18



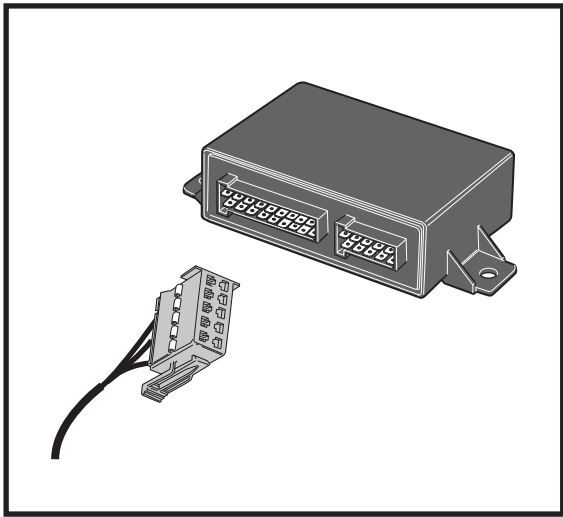
**User guide**



**INFO**

SOCKET CONNECTION

DIN/ISO 11446													
	1/L	2	3/31	4/R	5/58-R	6/54	7/58-L	8	9	10	11	12	13
Pmax	21W	21W		21W	42W	3x21W	42W	21W	180W/15Amp	180W/15Amp			
Colour	Yellow	Blue	White	Green	Brown	Red 1,00 mm <sup>2</sup>	Black	Black/ Red	Brown/ White	Red 2,50 mm <sup>2</sup>	White	-	White



Option



PARK DISTANCE CONTROL



PARK DISTANCE CONTROL

