

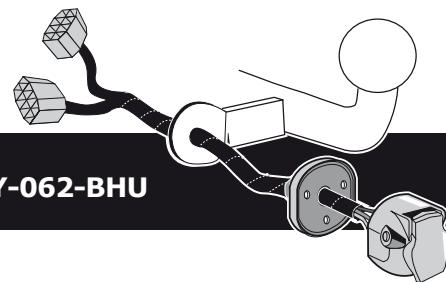
## Hyundai I40

Wagon

Sedan

Facelift 05/2015 >>

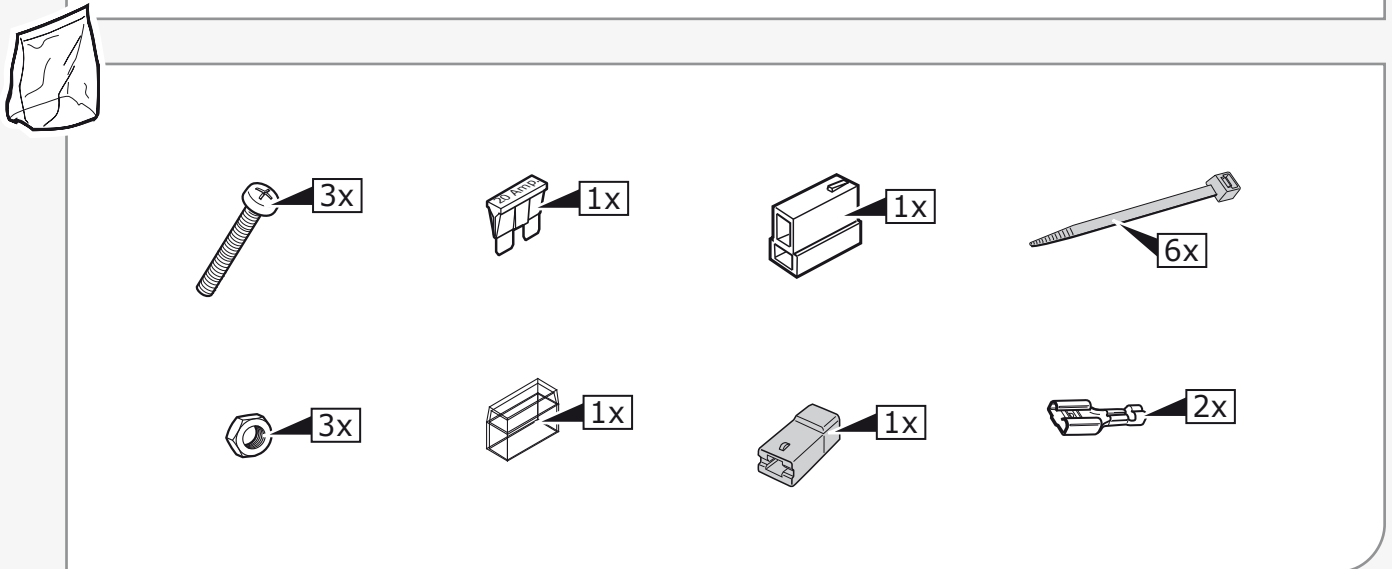
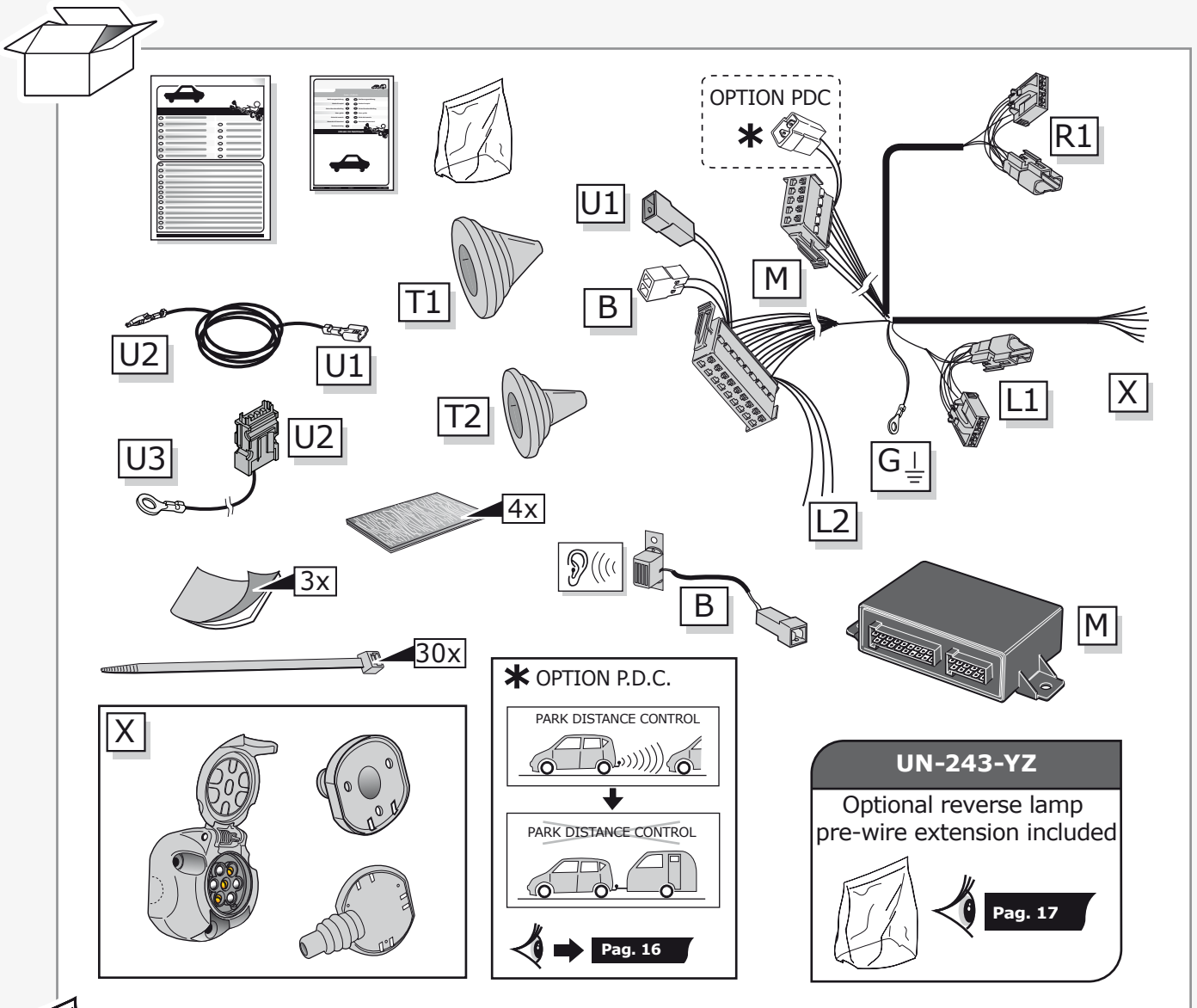
Partnr.: HY-062-BHU



- Fitting instructions electric wiring kit tow bar with 12-N socket up to DIN/ISO Norm 1724.
- We would expressly point out that assembly not carried out properly by a competent installer will result in cancellation of any right to damage compensation, in particular those arising by virtue of the product liability act.
- Contents of these kits and their fitting manuals are subject to alteration without notice, please ensure that these instructions are read and fully understood before commencing installation.
- Do not overload circuits; the maximum loads per connection are detailed in this manual.
- Attention! Before Installation, please read this manual carefully and inform your customer to consult the vehicle owners manual to check for any vehicle modifications required before towing.
- In the event of functional problems, troubleshooting must be limited to about 0.5 hours, contact the technical support:  
[ukts@ecs-electronics.com](mailto:ukts@ecs-electronics.com) / 07440 202 052.

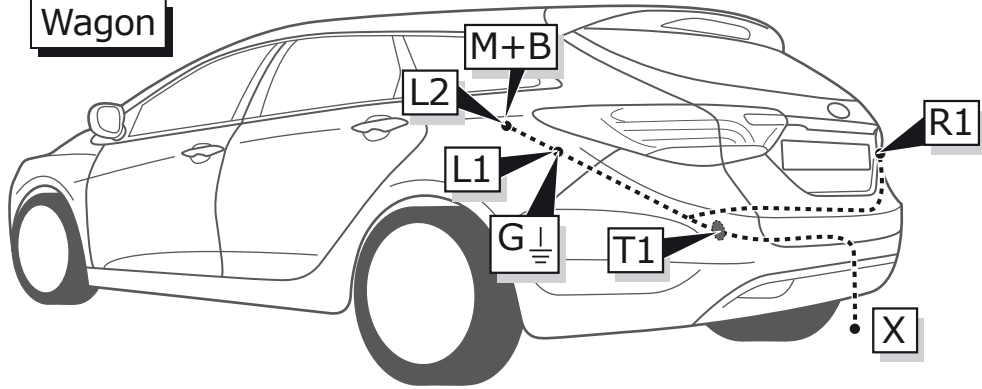


# Part list

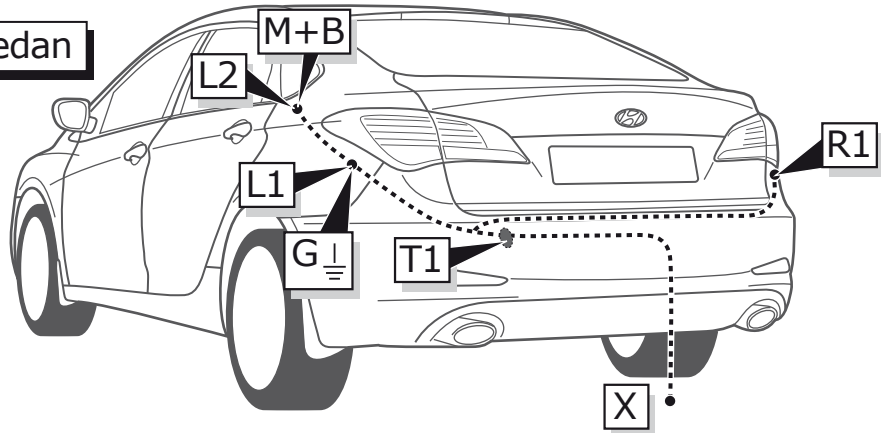


**ROUTING**

**Wagon**

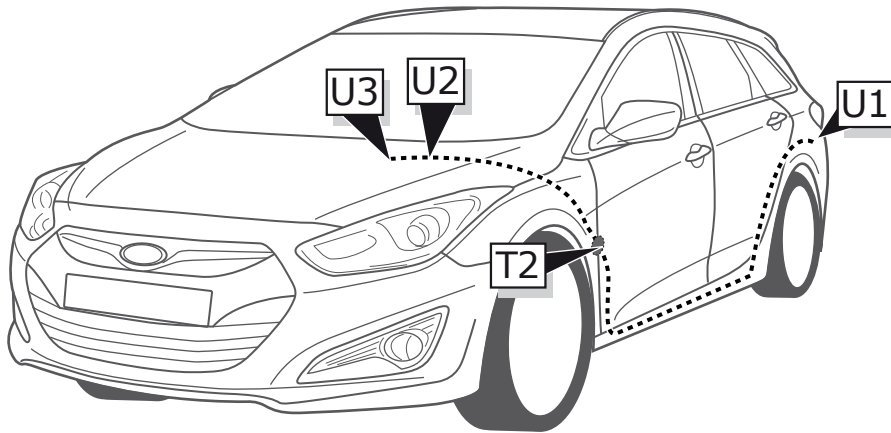


**Sedan**

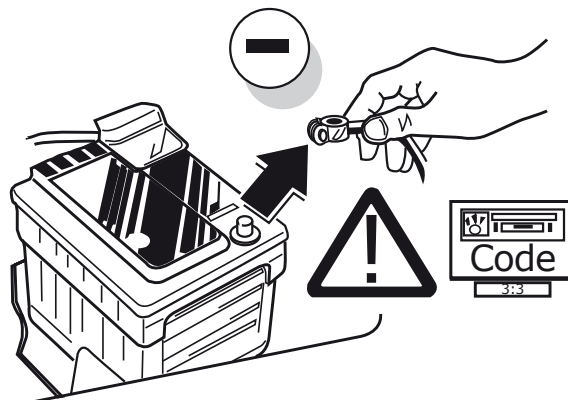


**Wagon**

**Sedan**

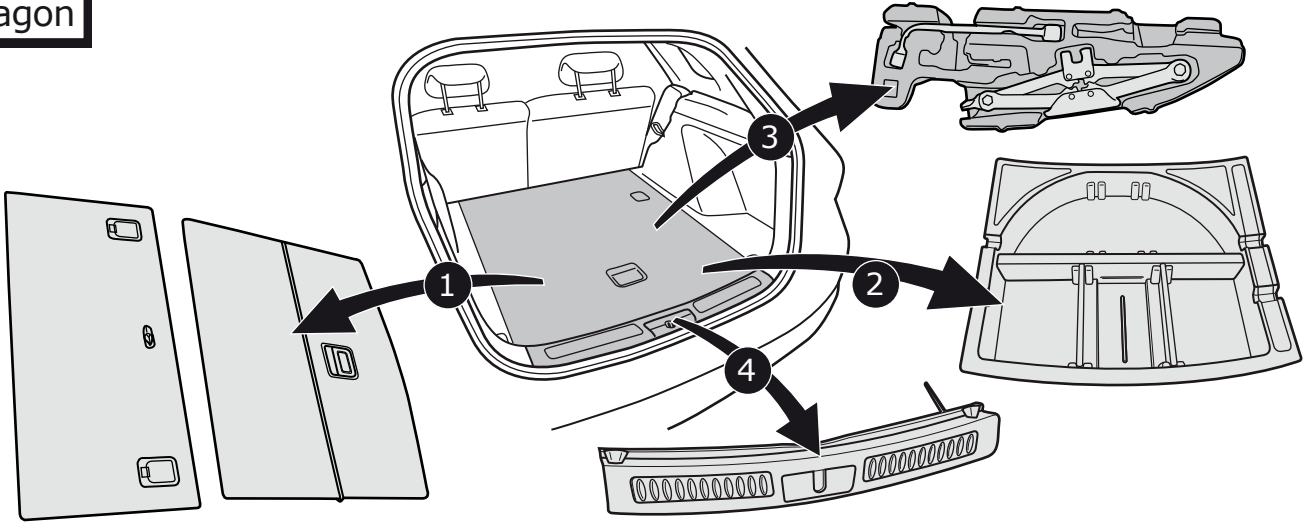


**1**



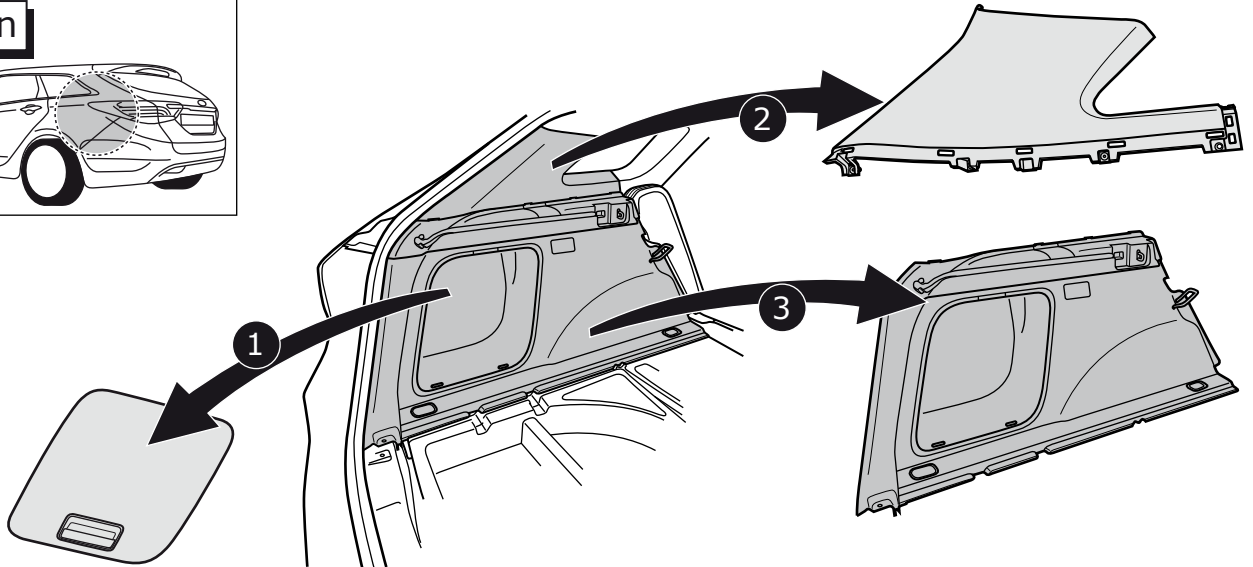
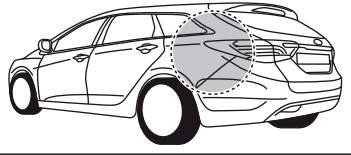
2

Wagon



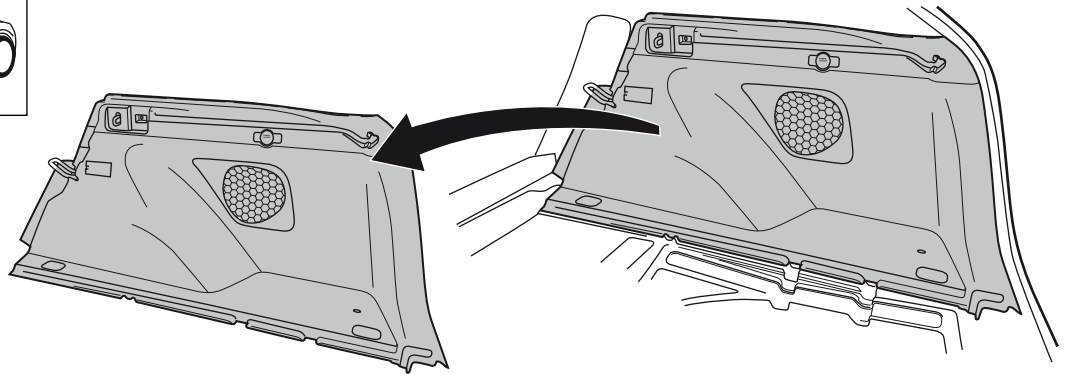
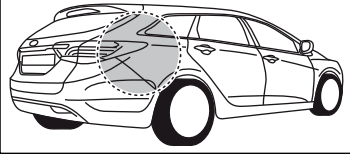
3

Wagon



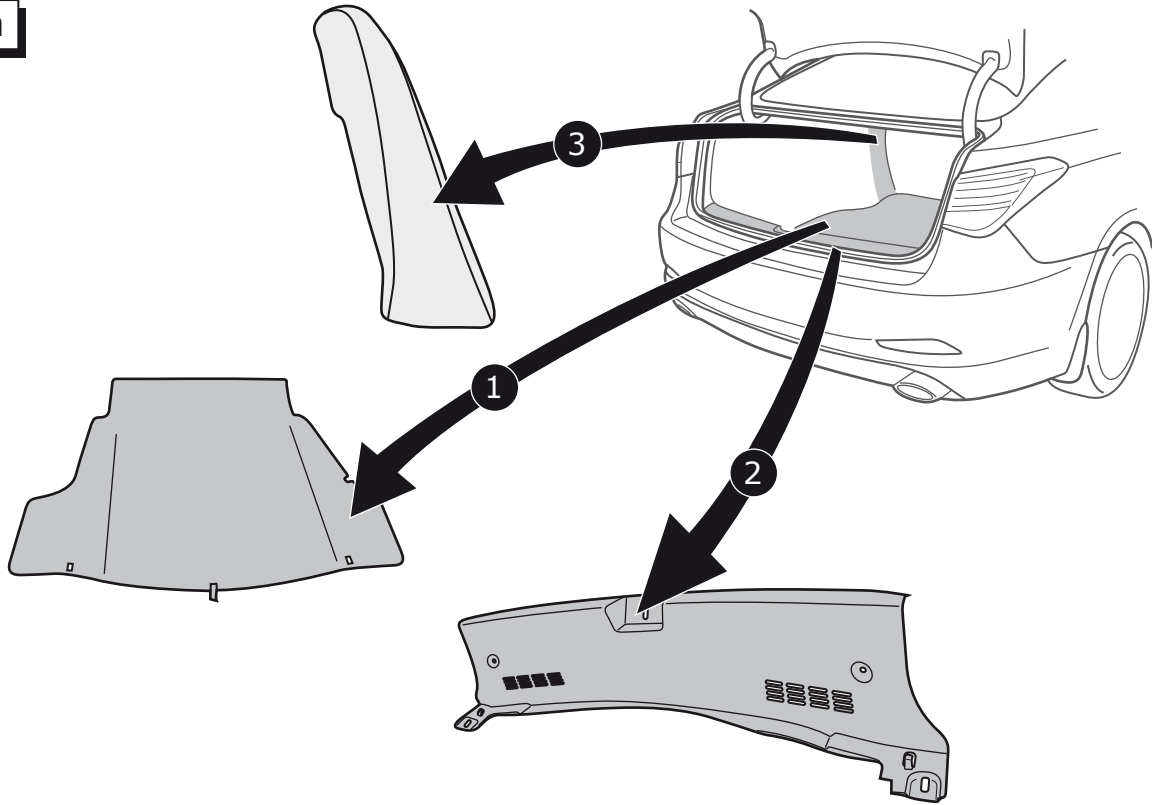
4

Wagon



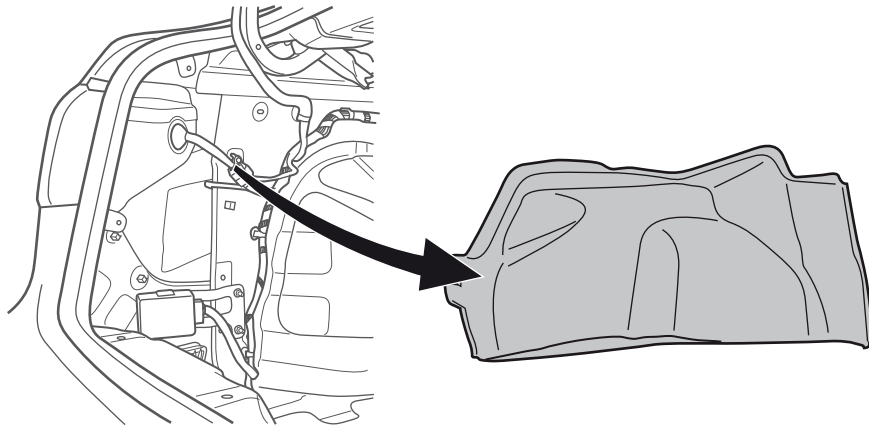
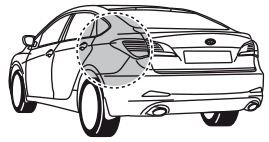
5

Sedan



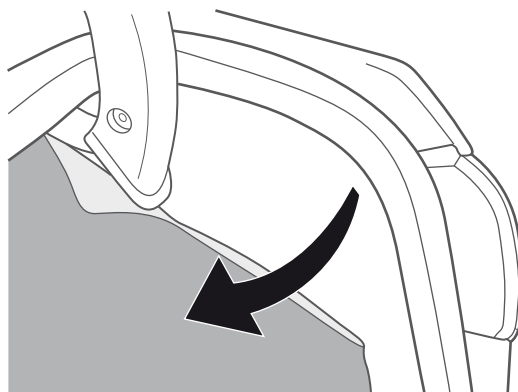
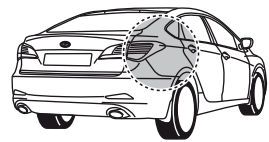
6

Sedan

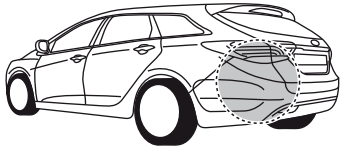


7

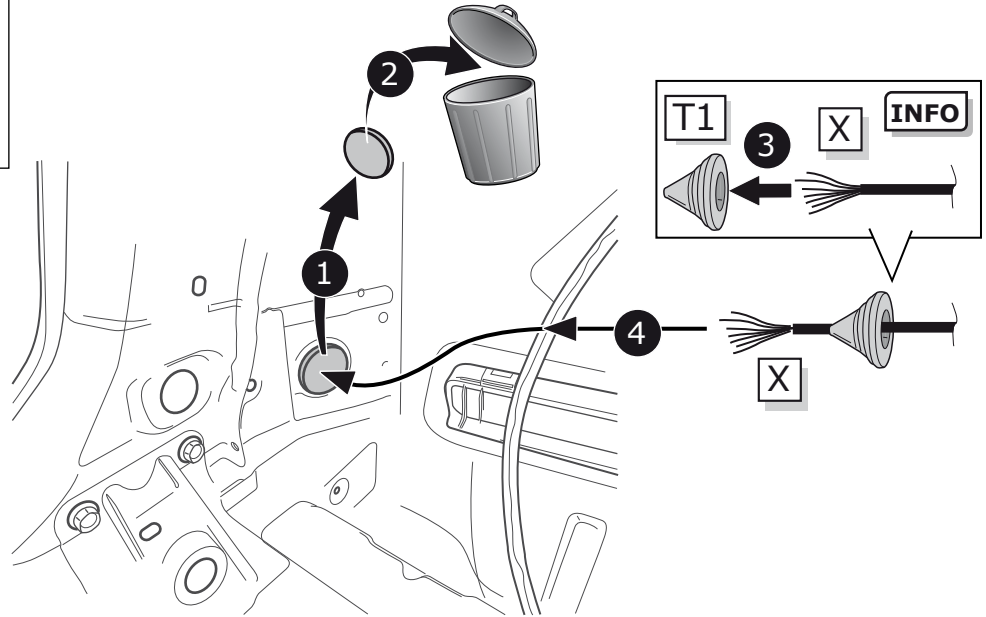
Sedan



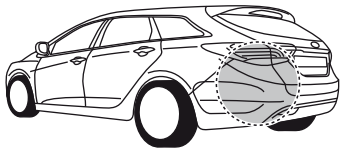
Wagon+Sedan



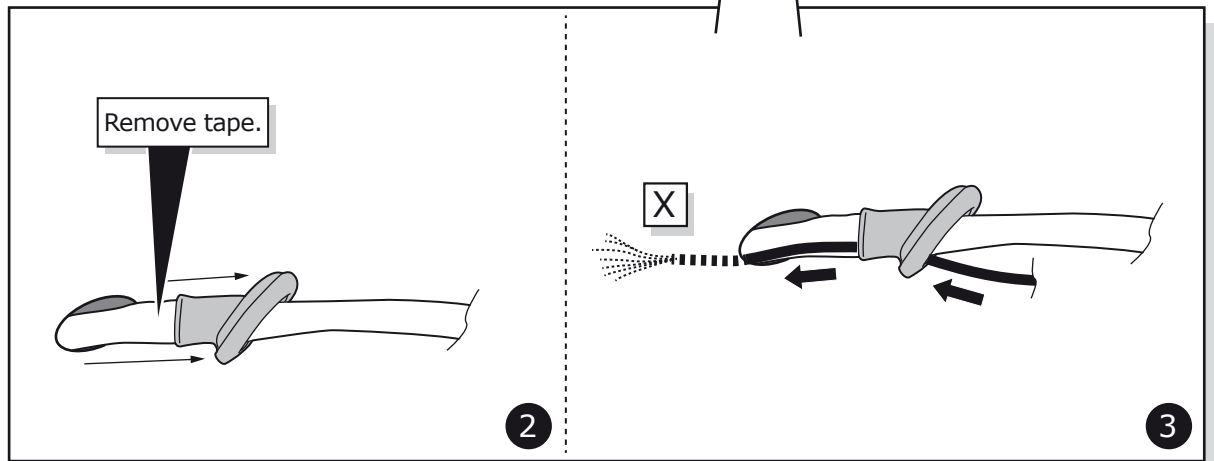
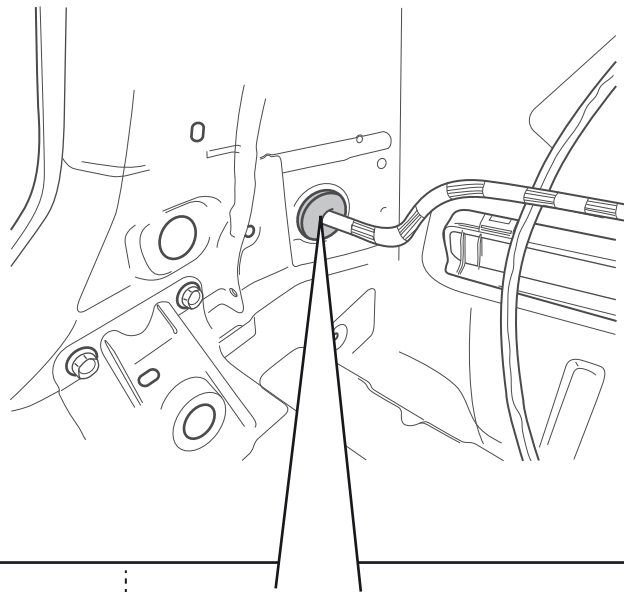
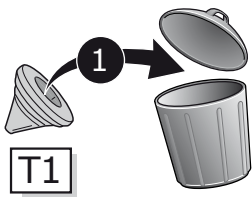
Option 1



Wagon+Sedan

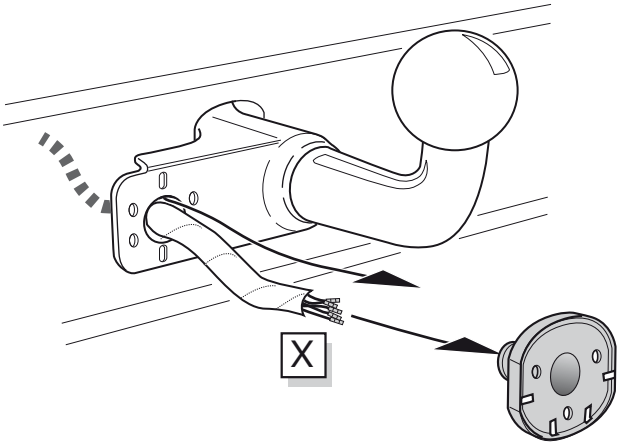


Option 2

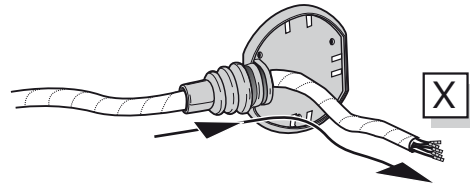


A

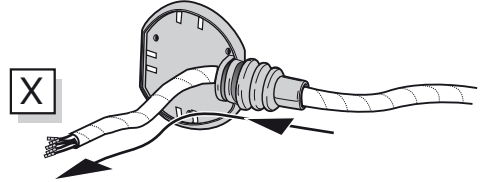
Option 1



Option 2



Option 3



INFO

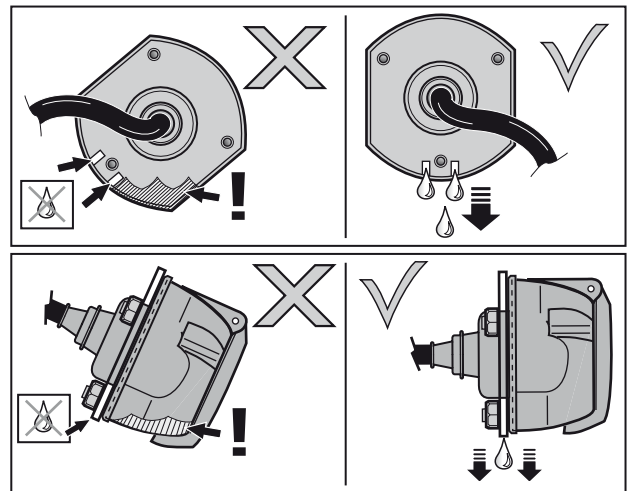
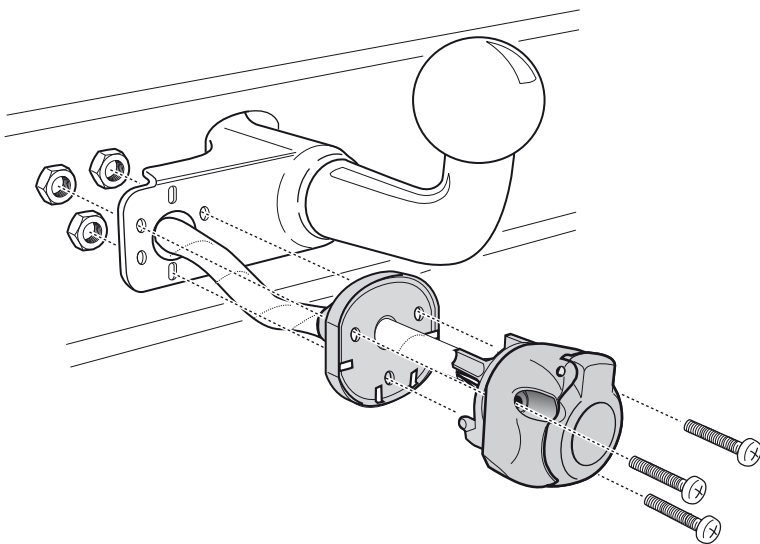
SOCKET CONNECTION

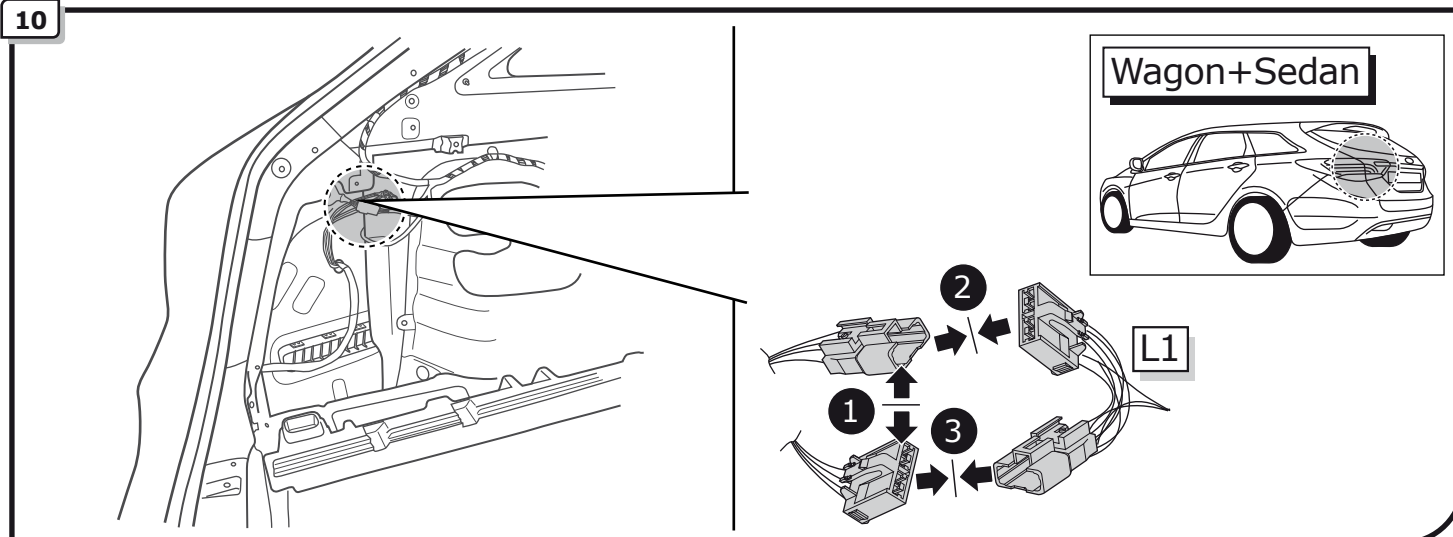
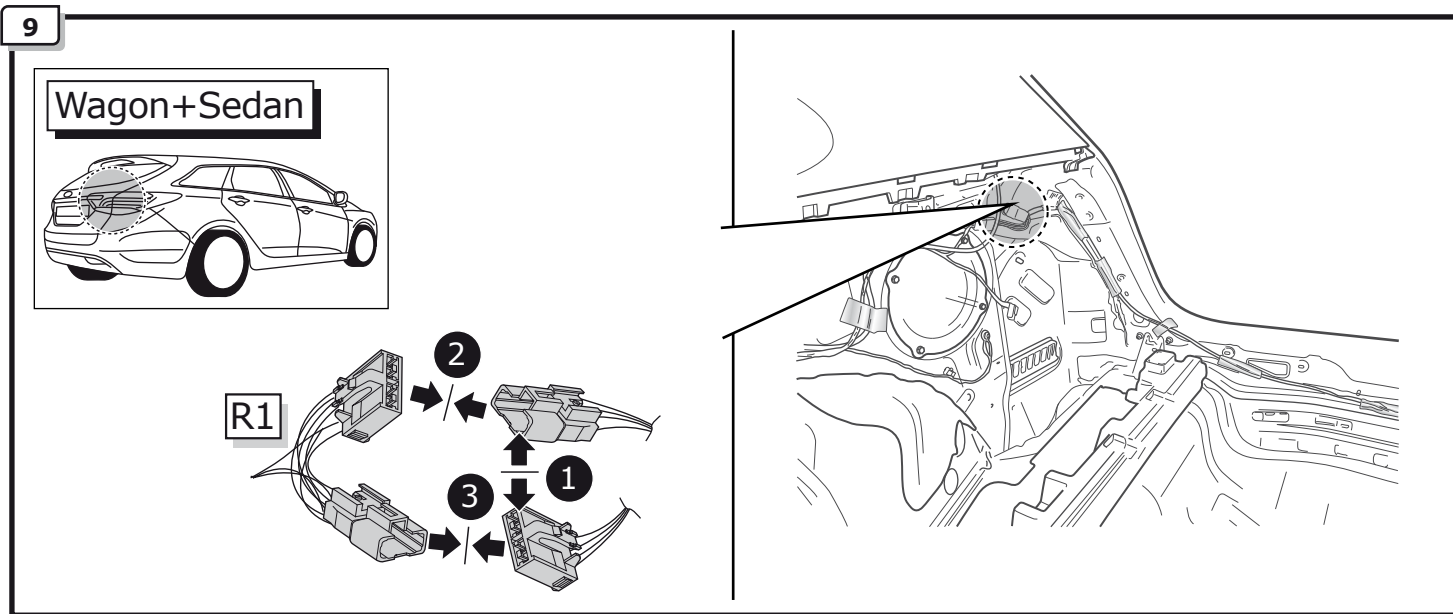
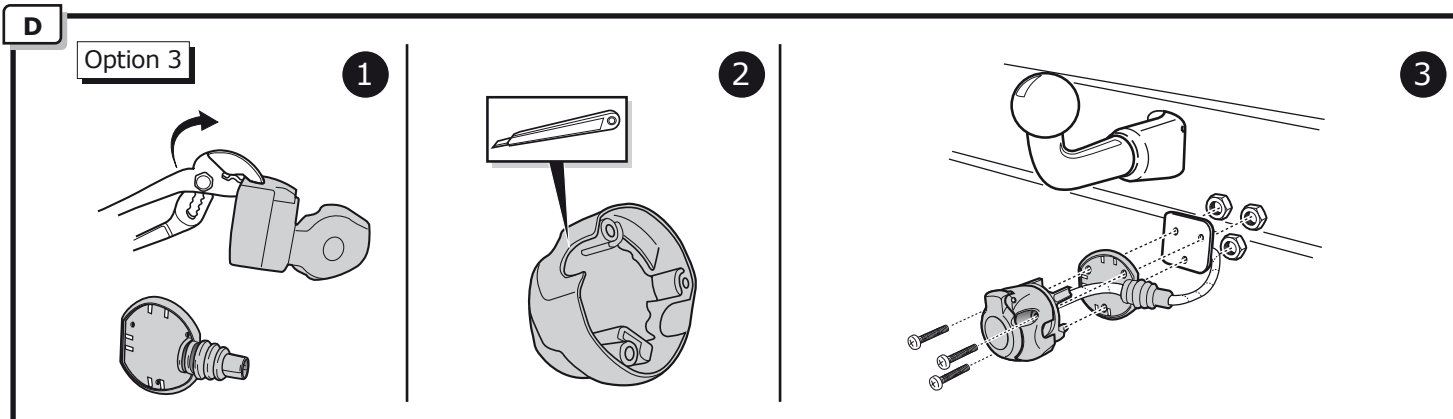
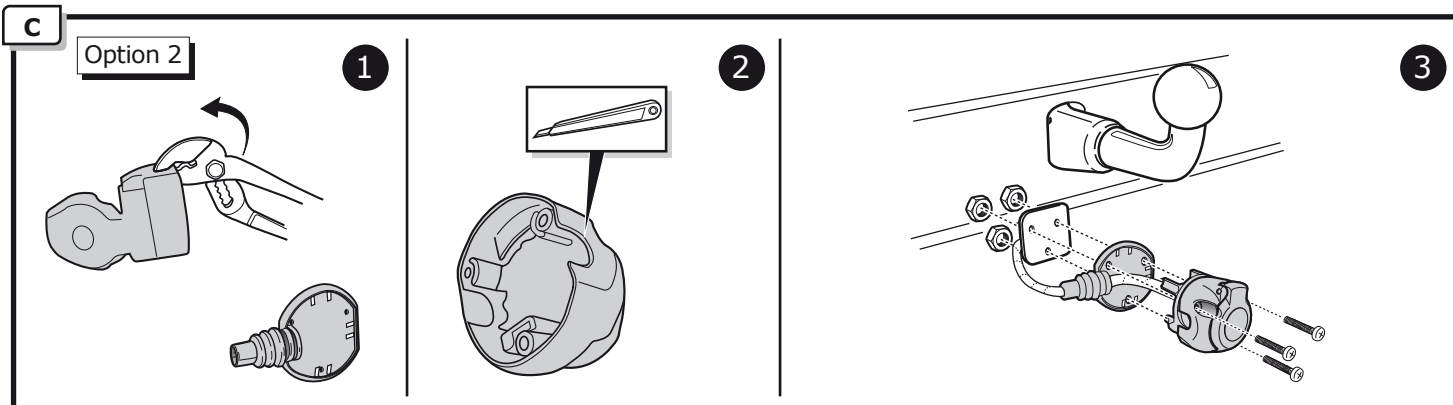


Pag. 15

B

Option 1

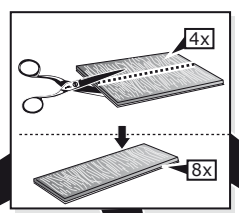
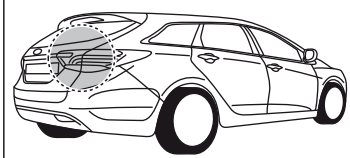




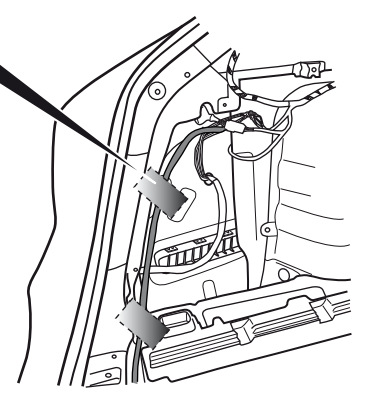
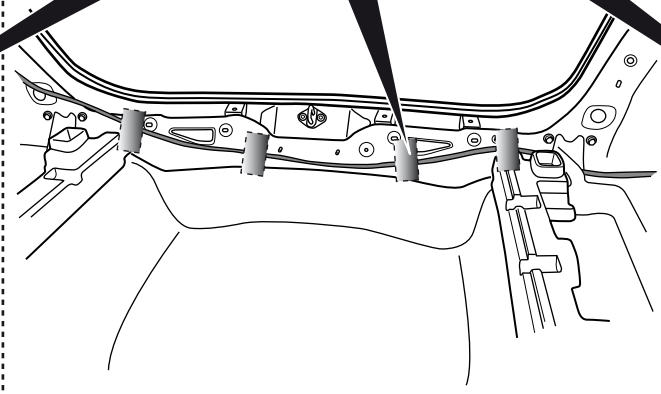
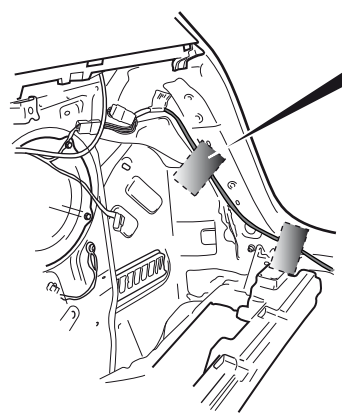
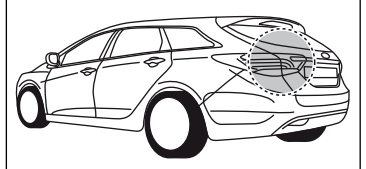


11

Wagon+Sedan

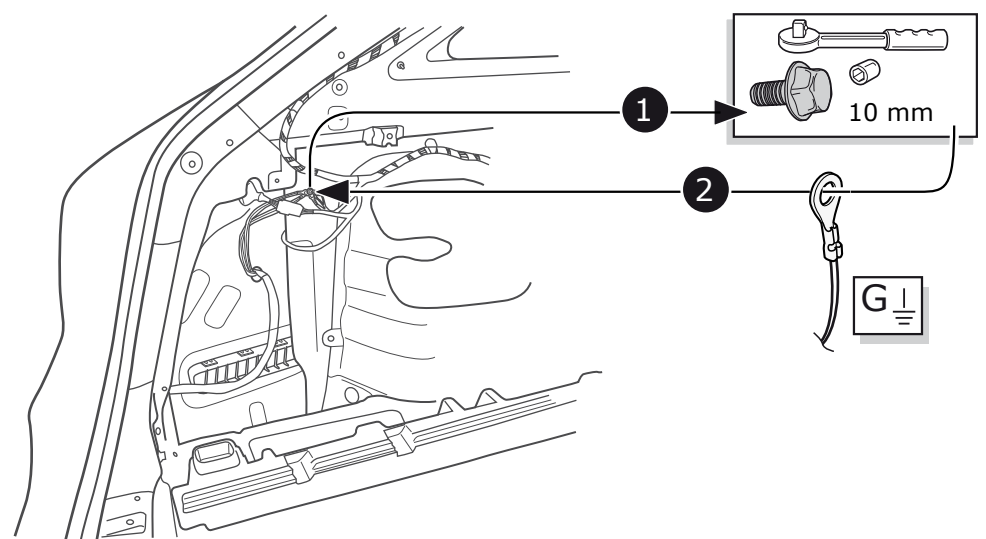
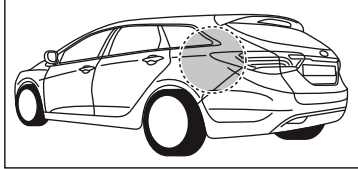


Wagon+Sedan



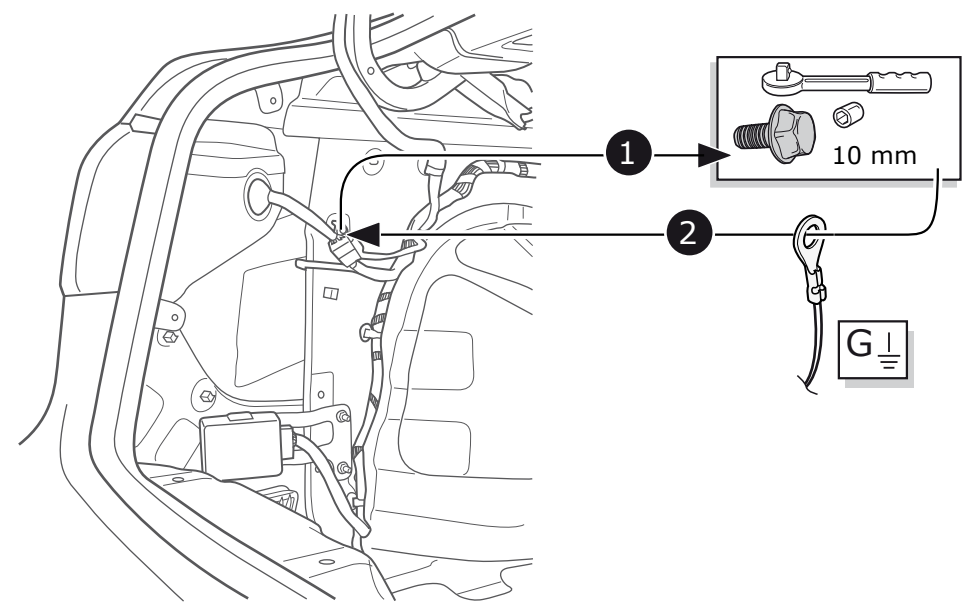
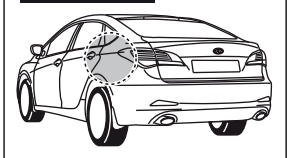
12

Wagon

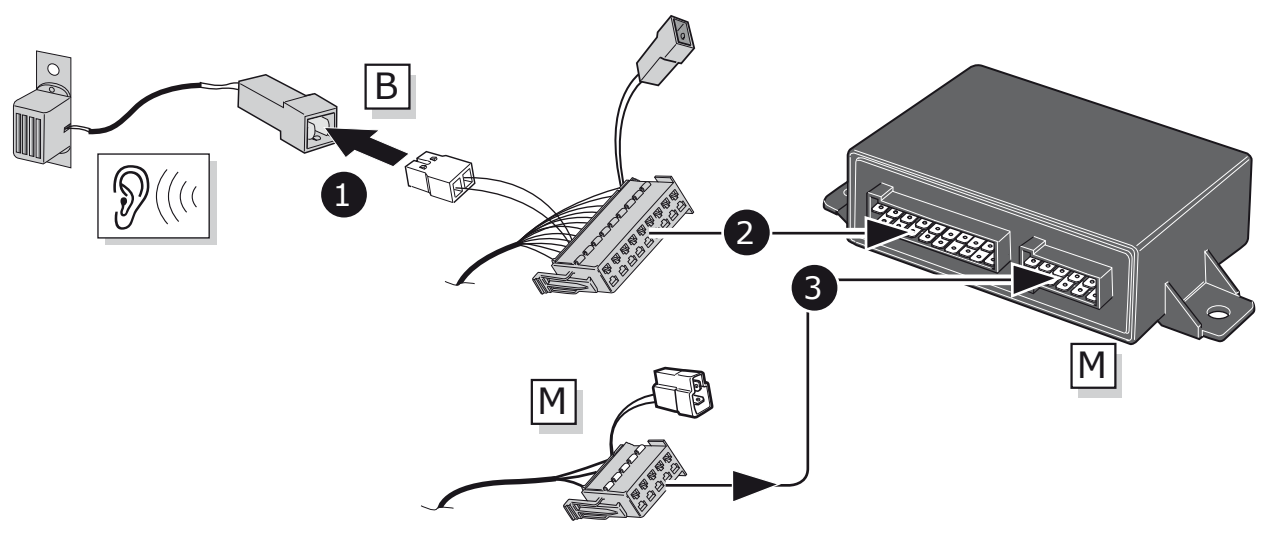


13

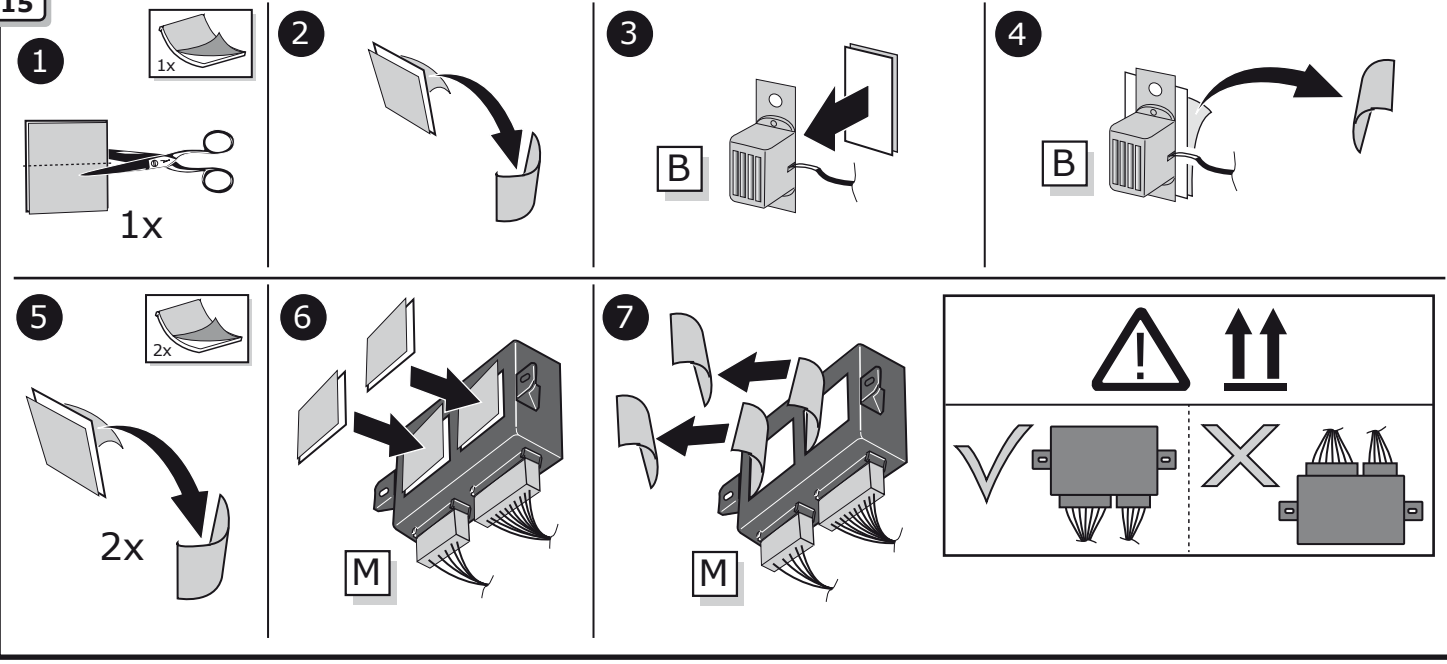
Sedan



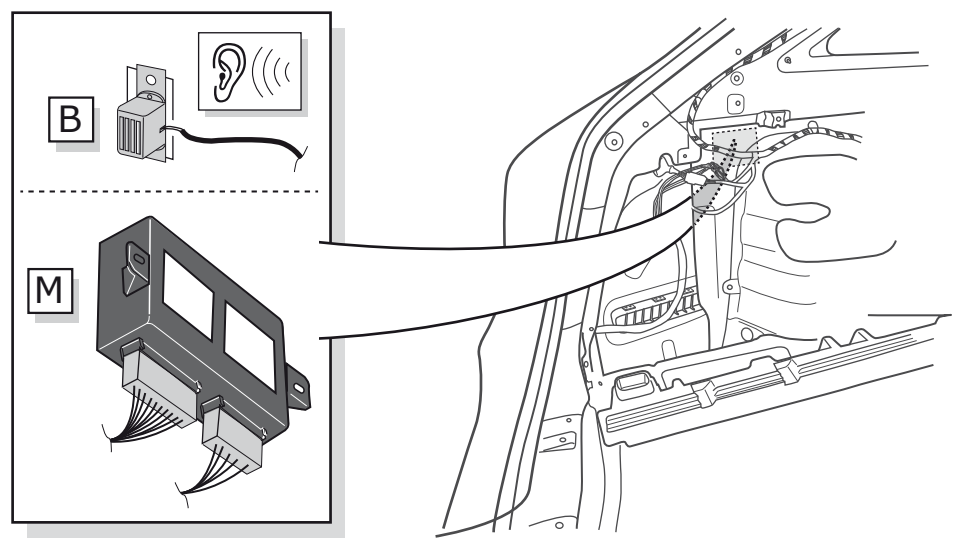
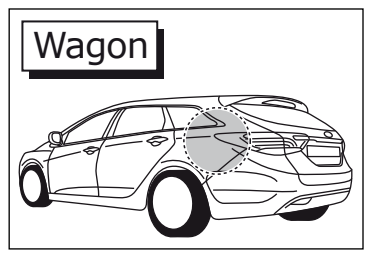
14



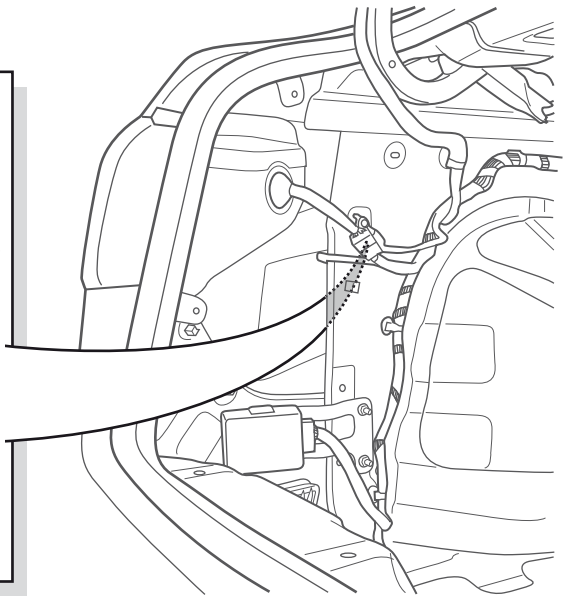
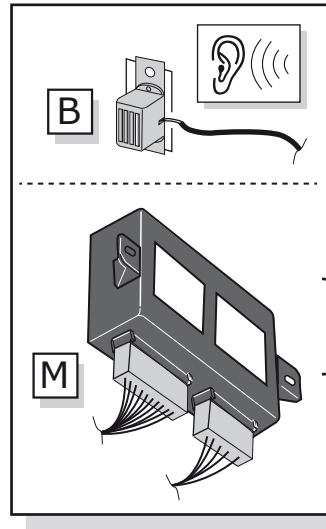
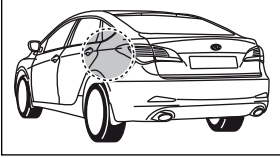
15



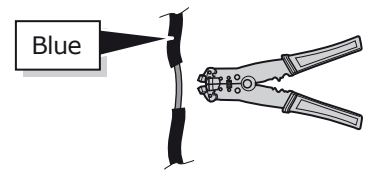
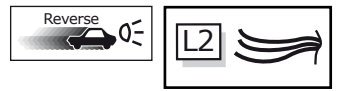
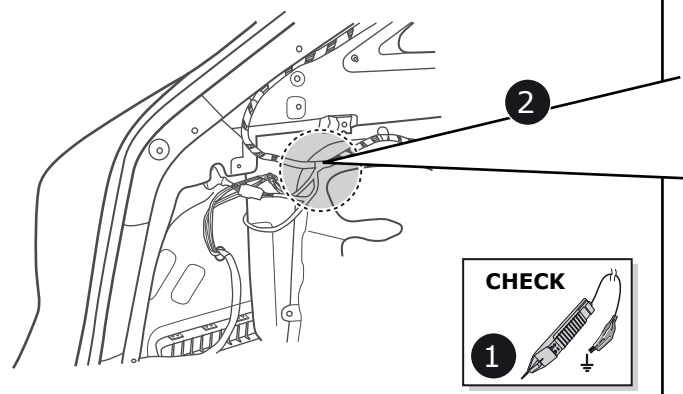
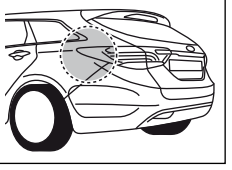
16



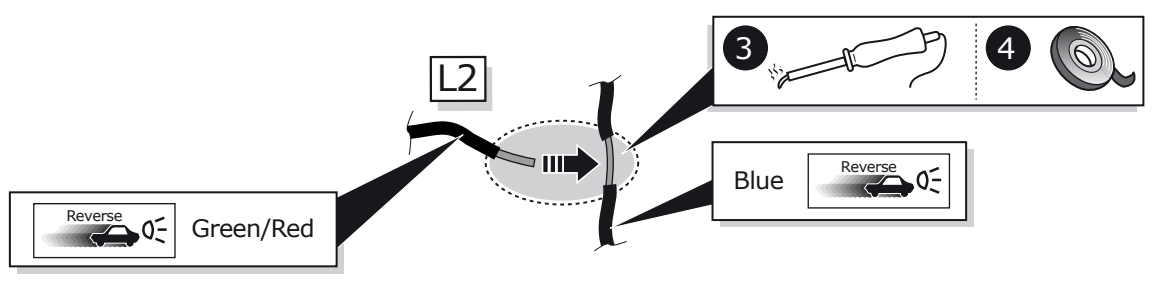
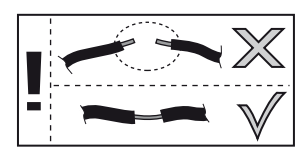
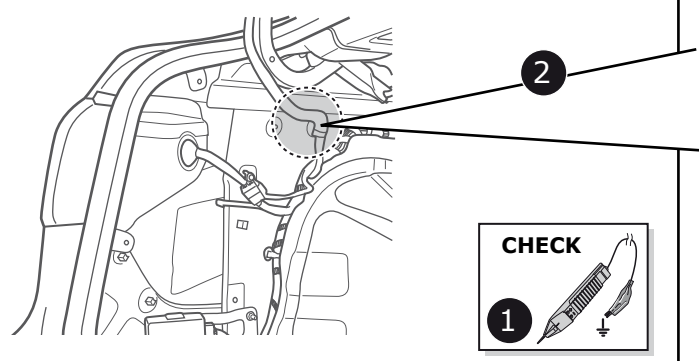
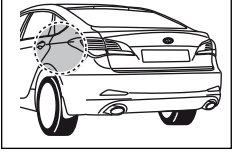
Sedan

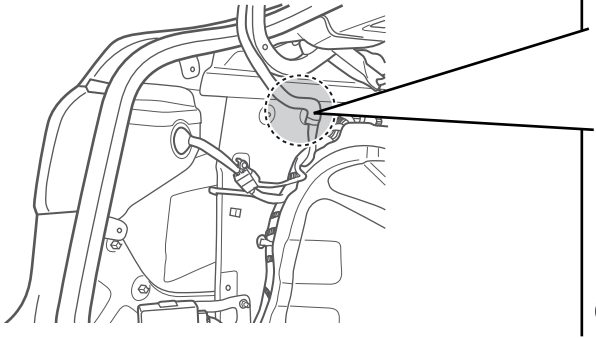
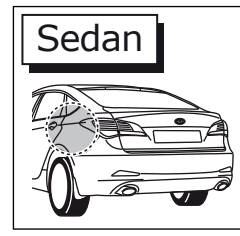
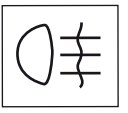
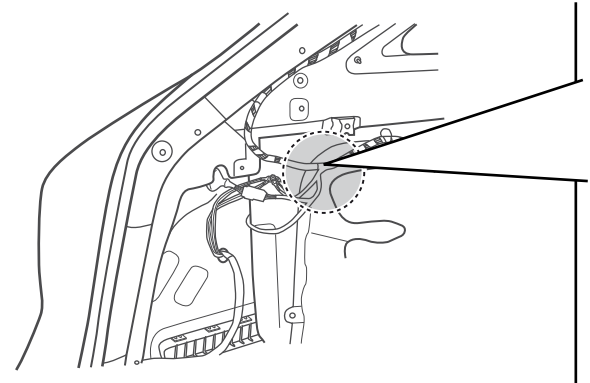
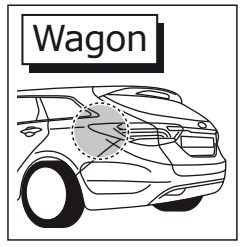


Wagon

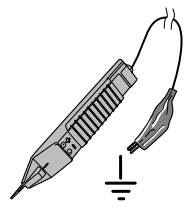


Sedan

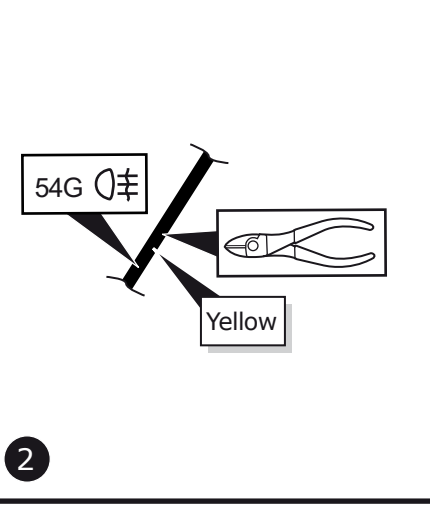




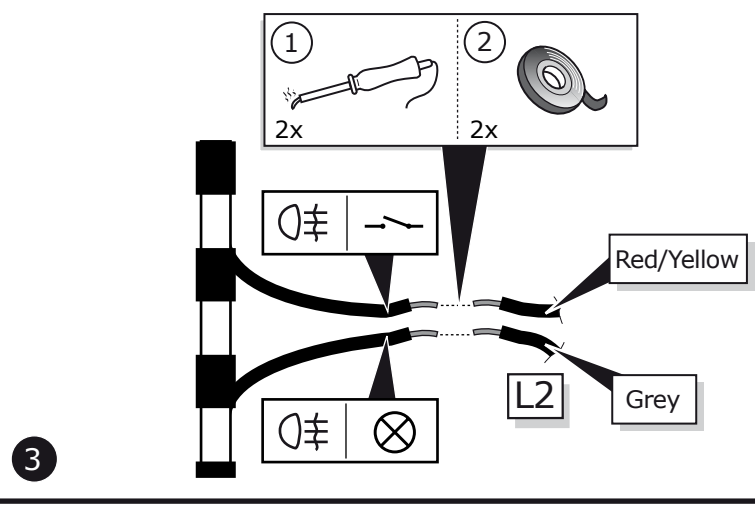
Yellow



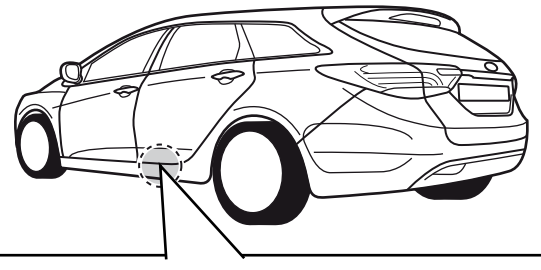
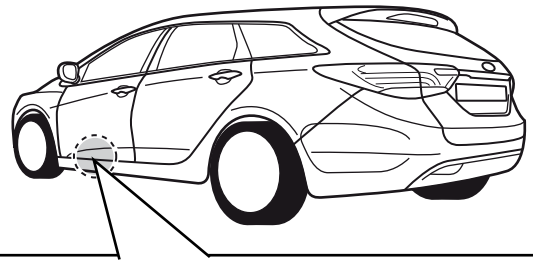
1



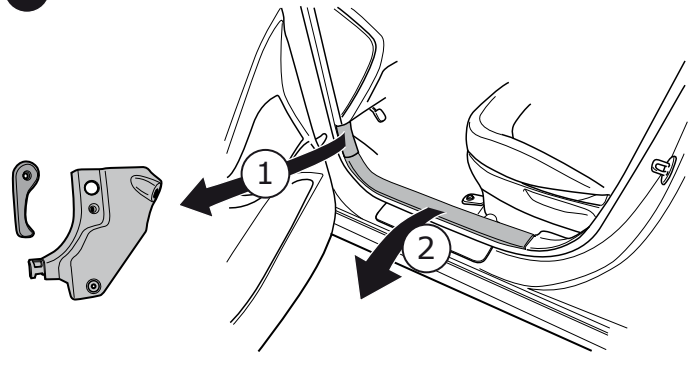
2



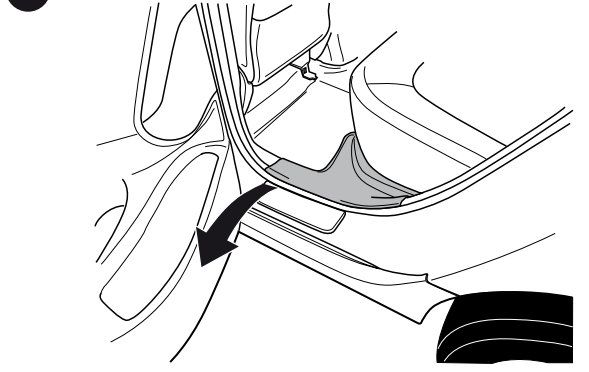
3



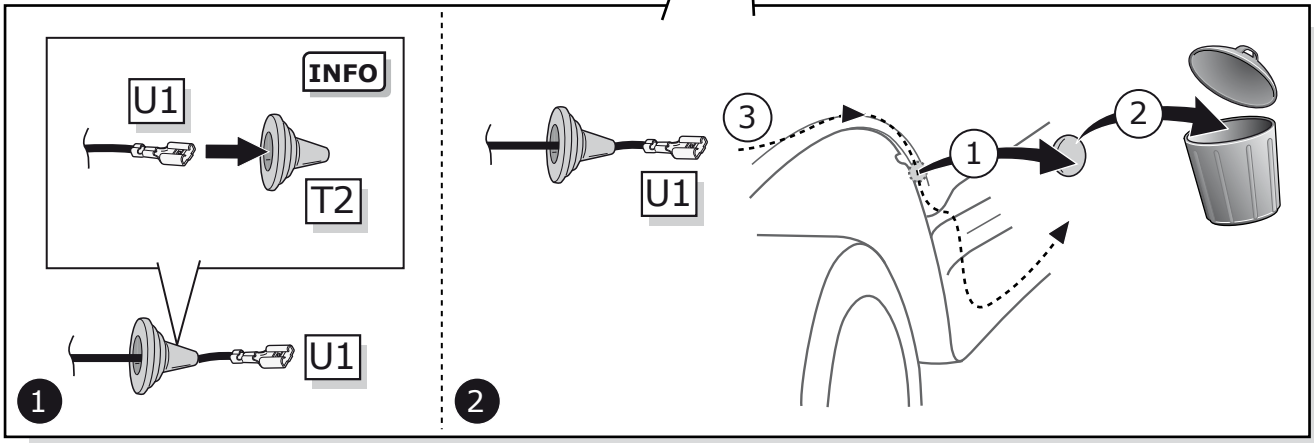
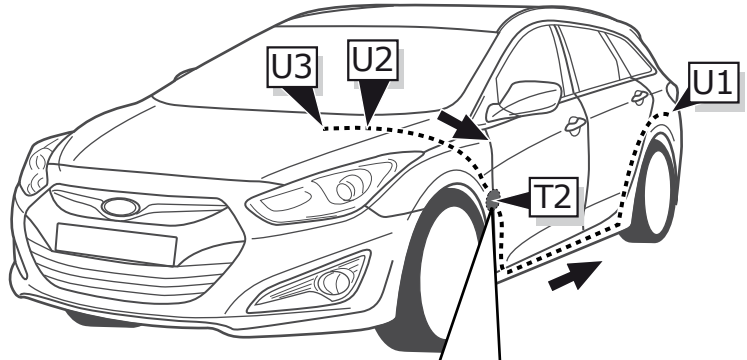
1



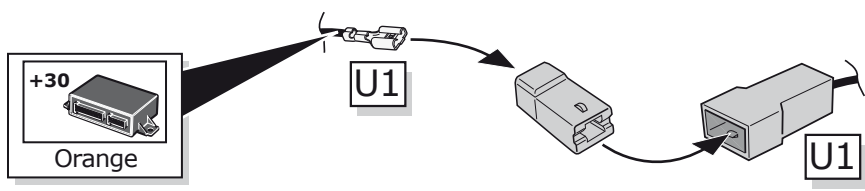
2



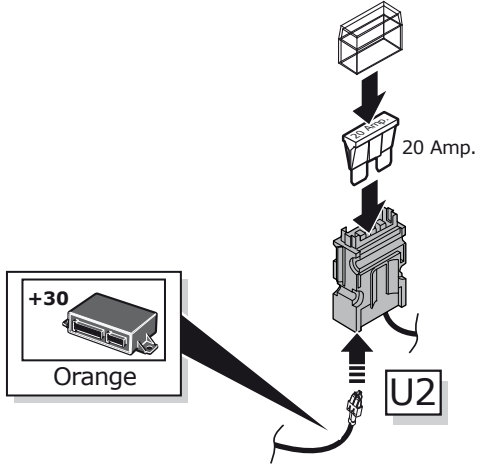
21

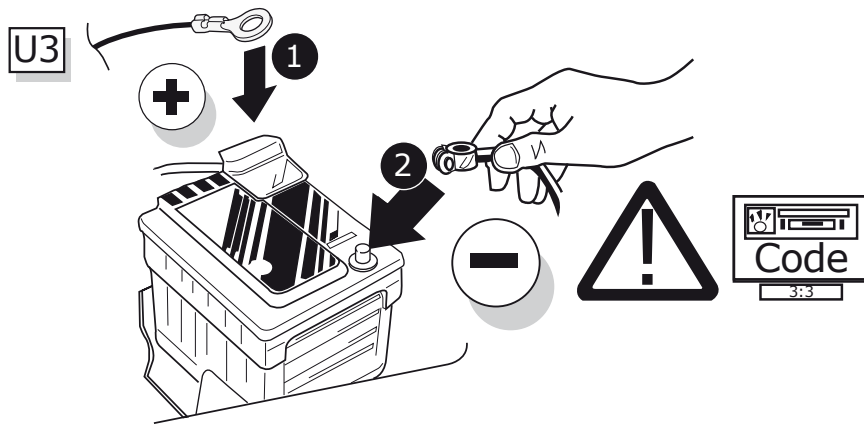


22



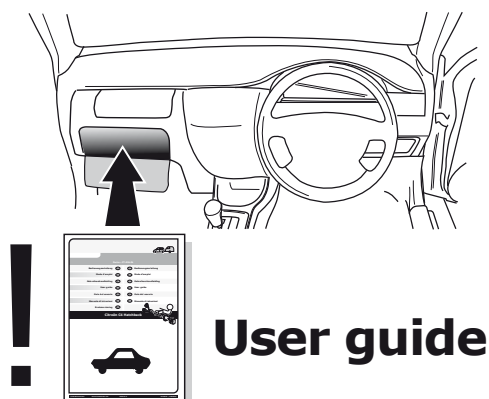
23





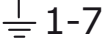






TEST ALL THE CIRCUITS WITH A TEST DEVICE WITH THE CORRECT POWER LOAD FOR EACH FUNCTION. A TEST DEVICE WITH LED'S CANNOT BE USED FOR THIS PURPOSE.

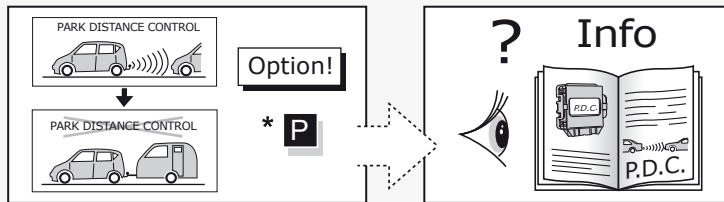
REINSTALL TRIM.



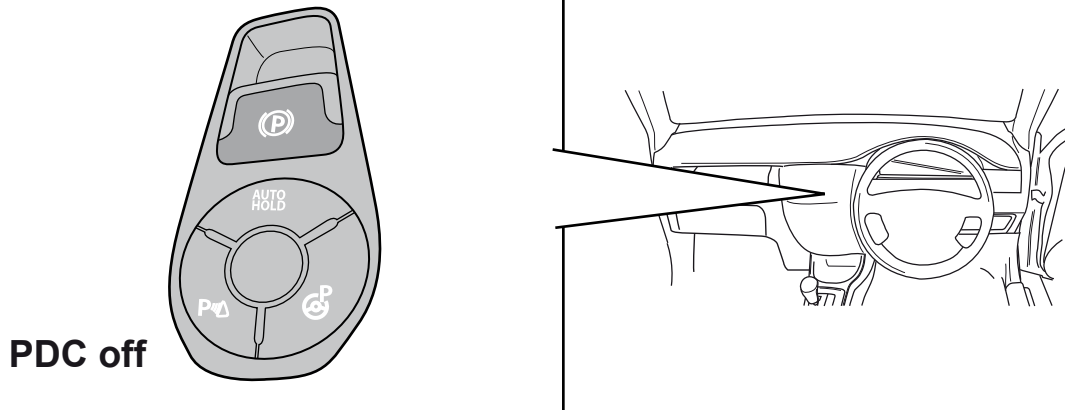
SOCKET CONNECTION

DIN/ISO 1724							
	1/L	2	3/31	4/R	5/58-R	6/54	7/58-L
Pmax	21W	21W		21W	42W	3x21W	42W
Colour	Yellow	Blue	White	Green	Brown	Red	Black

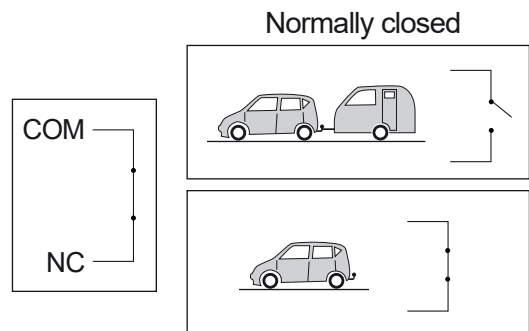
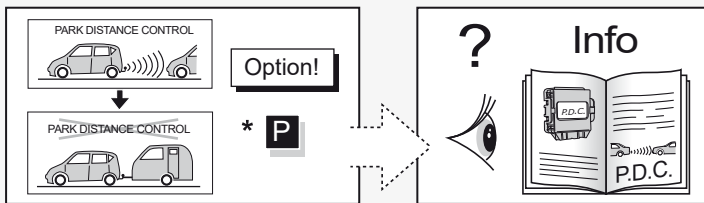
### Option 1



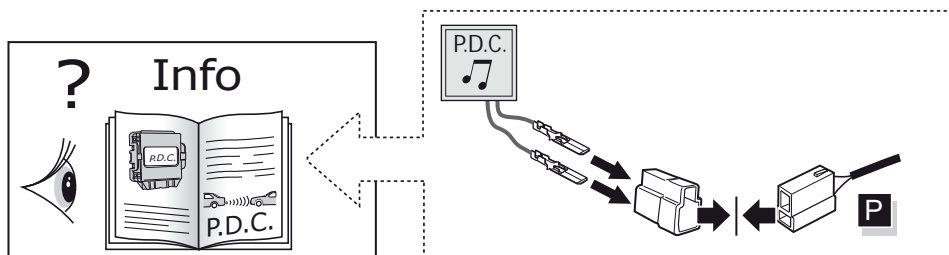
### For OEM installed PDC systems



### Option 2



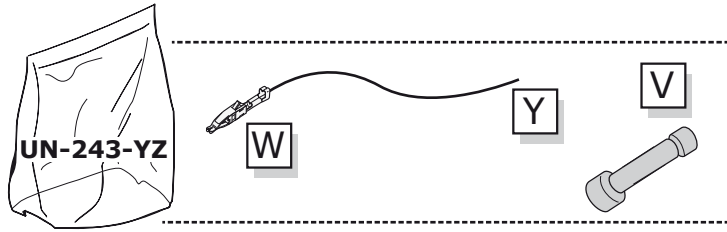
### For aftermarket installed PDC systems



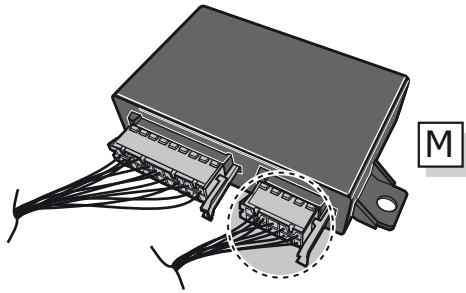


# UN-243-YZ Reverse lamp pre-wire extension

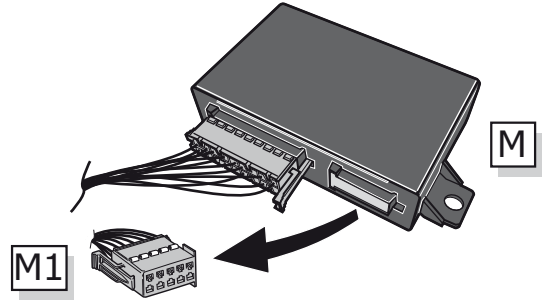
⚠ MAX = 21W



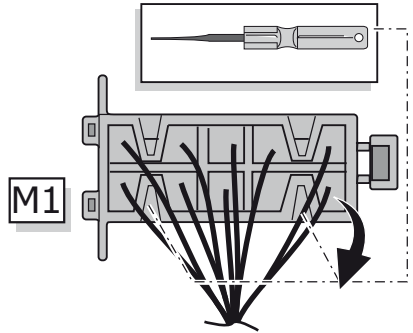
**A**



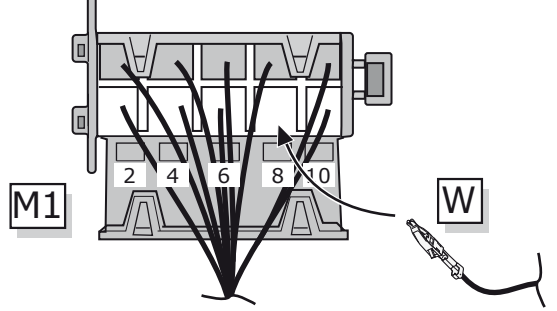
**1**



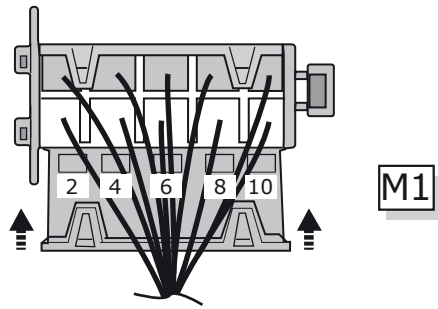
**2**



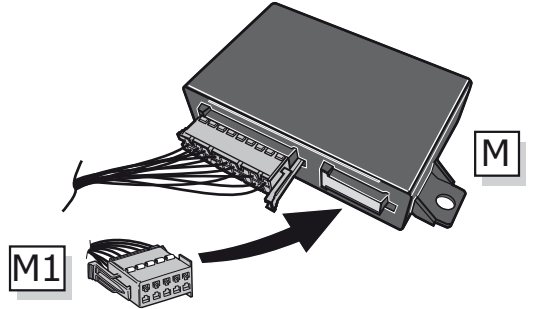
**3**



**4**



**5**



**B**

⚠ MAX = 21W

