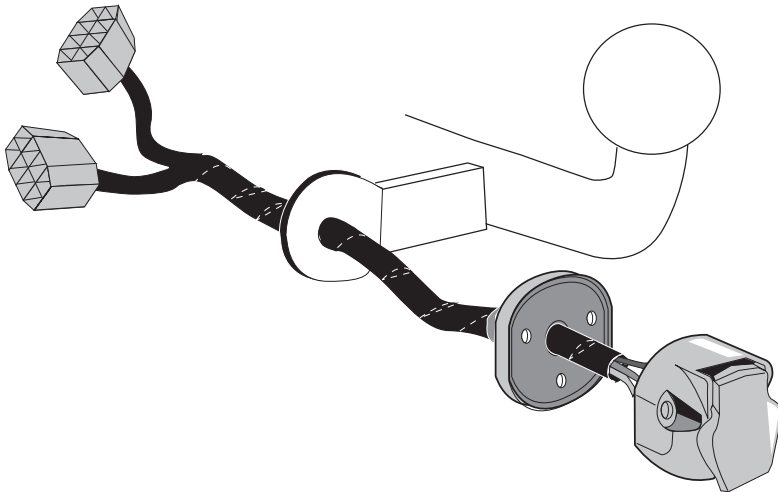


MAZDA

Mazda 6 GJ 02/2013 >> 08/2016
Mazda 6 GL 09/2016 >>

Part No: MZ-153-13U

Electric wiring kit for towbars / 13-pin / 12 Volt / ISO 11446 Fitting instructions



IMPORTANT!

This electric kit has to be installed by a professional workshop or a suitable qualified person.

The installation instructions must have been read and fully understood before the start of any installation. Please contact your wiring kit provider or the hotline shown in the footer should you need assistance!

Make sure the vehicle is approved/homologated by the manufacturer to tow a trailer!

Also please check that there is a definite compatibility between this vehicle and the electric kit!

Following the installation of the electric kit, the fitting instructions should be kept together with the vehicle service document and vehicle handbook. The fitting instructions contain important information relating to the use and function of the towing kit as well as for any diagnostic or activation process, that might have to be repeated in the future (e.g. after the performance of a vehicle software update).

All warranty claims will be forfeited if the electric kit or components contained therein are used incorrectly or modified. If a towing socket adaptor has been used to connect to the trailer or bike rack, this must be removed from the trailer socket once the trailer or bike rack has been disconnected.

If the trailer or bike rack is not equipped with a rear fog lamp, depending on the towing vehicle type, the correct function of the towing kit cannot be guaranteed. In such cases, a rear fog lamp should be retro fitted.

This towing electric kit will not be covered under warranty if any technical or electrical modifications or software updates have been performed by the vehicle manufacturer after the initial commissioning of the kit. That applies especially to modifications or updates which may cause malfunctions in the trailer socket or any other part of the trailer electrical equipment!

Depending on the type of trailer module used in this electric kit, diagnostic interrogation with the vehicle's electrical system may be limited or will not function. The error memory inside the trailer module may not be able to be accessed by vehicle manufacturers diagnostic system.

Error logs relating to the trailer electrical equipment, that may be generated in the vehicle manufacturers diagnostic system as a result of a test procedure, may be due to the incorrect installation of the towing electric kit or the false activation of the trailer module.

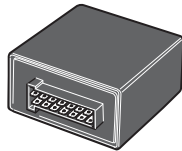
We always recommend whenever possible, the following troubleshooting process:

- An analysis of the vehicle's error memory and possibly clearing of all faults before the start of the installation!
- Try disconnecting the trailer module from the towing harness and re-start the fault clearing process!
- If in doubt, limit the time for troubleshooting to a max of 0,5 hours and call our Technical Support Team!

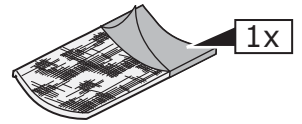
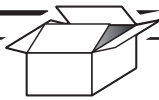
Please follow our instructions carefully and always test the towing electrics using a true lighting board or a specifically designed bulb tester. If an LED tester is used, ensure it is equipped with correct load resistors or malfunctions will occur!

This instruction is subject to changes and we reserve the right to make changes to design, colour etc.

All of the data and illustrations may not be an exact representation but the text contained in this instruction must be observed!



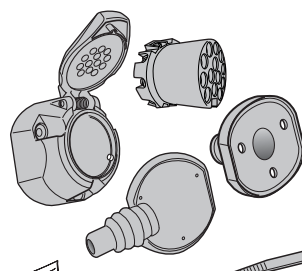
M



1x

Mazda CX5 KF 01/2023 >> Only!

A1 M1



U1

5x

L3

G

*** Optional**

Page 21



3x



3x



3x



1x



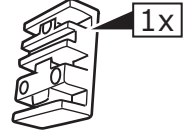
1x



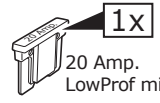
1x



1x



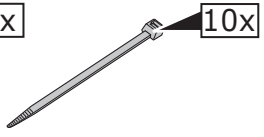
1x



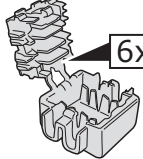
20 Amp. LowProf mini



2x



10x

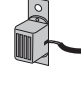


6x

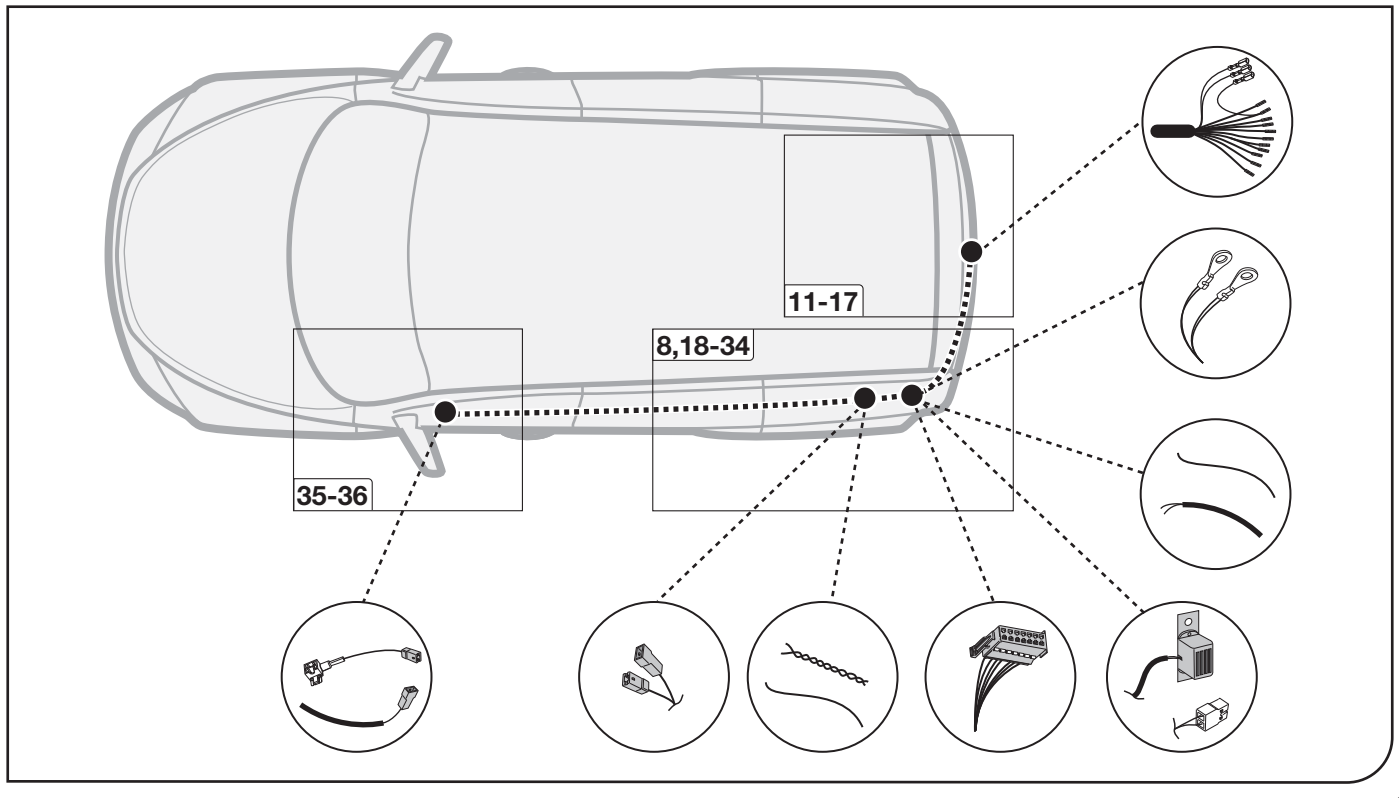
U3



U2



B

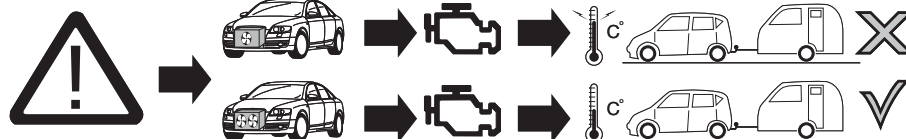
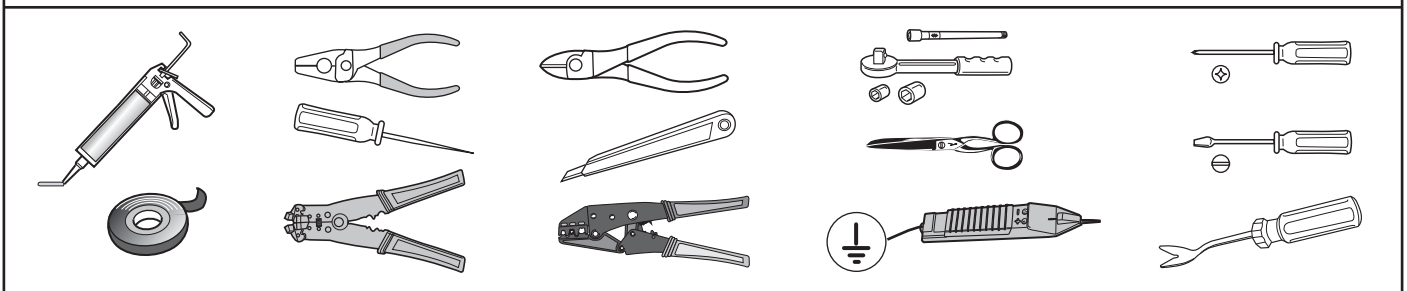


SYMBOL EXPLANATION

	Left (58-L) respectively Right (58-R) tail light
54	Stop light (54) / high mounted, third stop light (54)
	Turn signal indicator left
	Turn signal indicator right
	Rear fog light(s)
	Reversing light(s)
	Permanent power supply / 13pin socket, chamber 9
	Charging wire for trailer battery / 13pin socket, chamber 10
	Trailer / trailer recognition
B+ / 30	Permanent current power supply
	Ground or Earth (31)
	Ground connection battery terminal lug
	Positive connection battery terminal lug

	Cigarette lighter / accessory socket
	Loudspeaker / buzzer
	Park Distance Control
	Switch / source of function
	Connect together
	Disconnect
	Look at / See further information
	Look carefully at selected area
	Present / Occupied / OK
	Not present / Not occupied / Not OK
	Acoustic indication
	Attention / important advice
	Fuse / fuse capacity 20 Ampère

TOOLS



ATTENTION!

The vehicle's cooling capacity may have to be increased when retrofitting a trailer coupling!
You must observe the manufacturer's instructions!!



Note: It may be necessary to check if this vehicle has a stored radio code before disconnecting the battery!



ATTENTION!

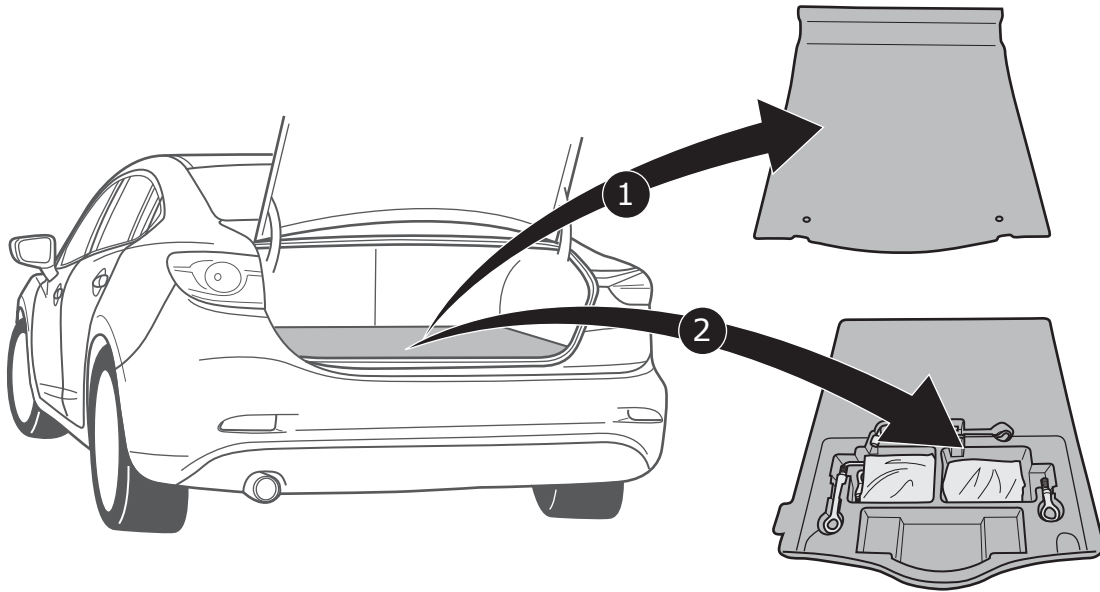
In order to avoid mal-functions and damage to the vehicle's electrical system the earth terminal **must be disconnected** from the vehicle's battery **before starting work!**

Both the trailer module and the vehicle's control unit for the electrical system can be damaged during work on the data bus connections if the battery is not disconnected!

1

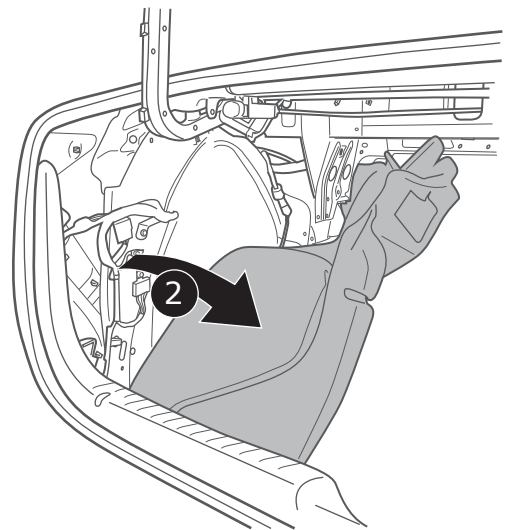
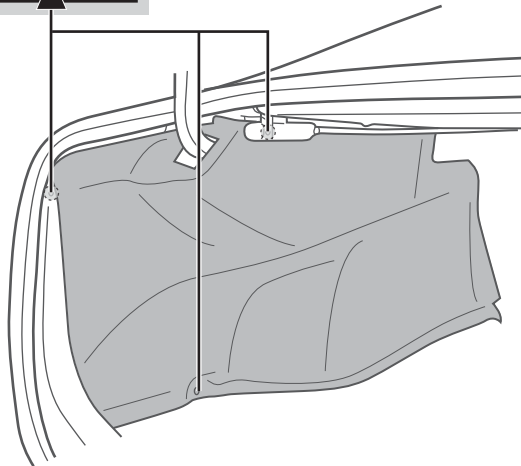
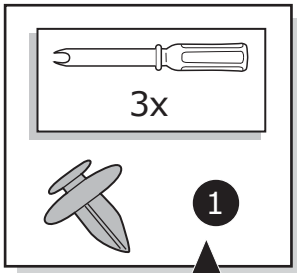
Please pay attention to the manufacturer's instructions when disconnecting and reconnecting the vehicle's battery!

Saloon



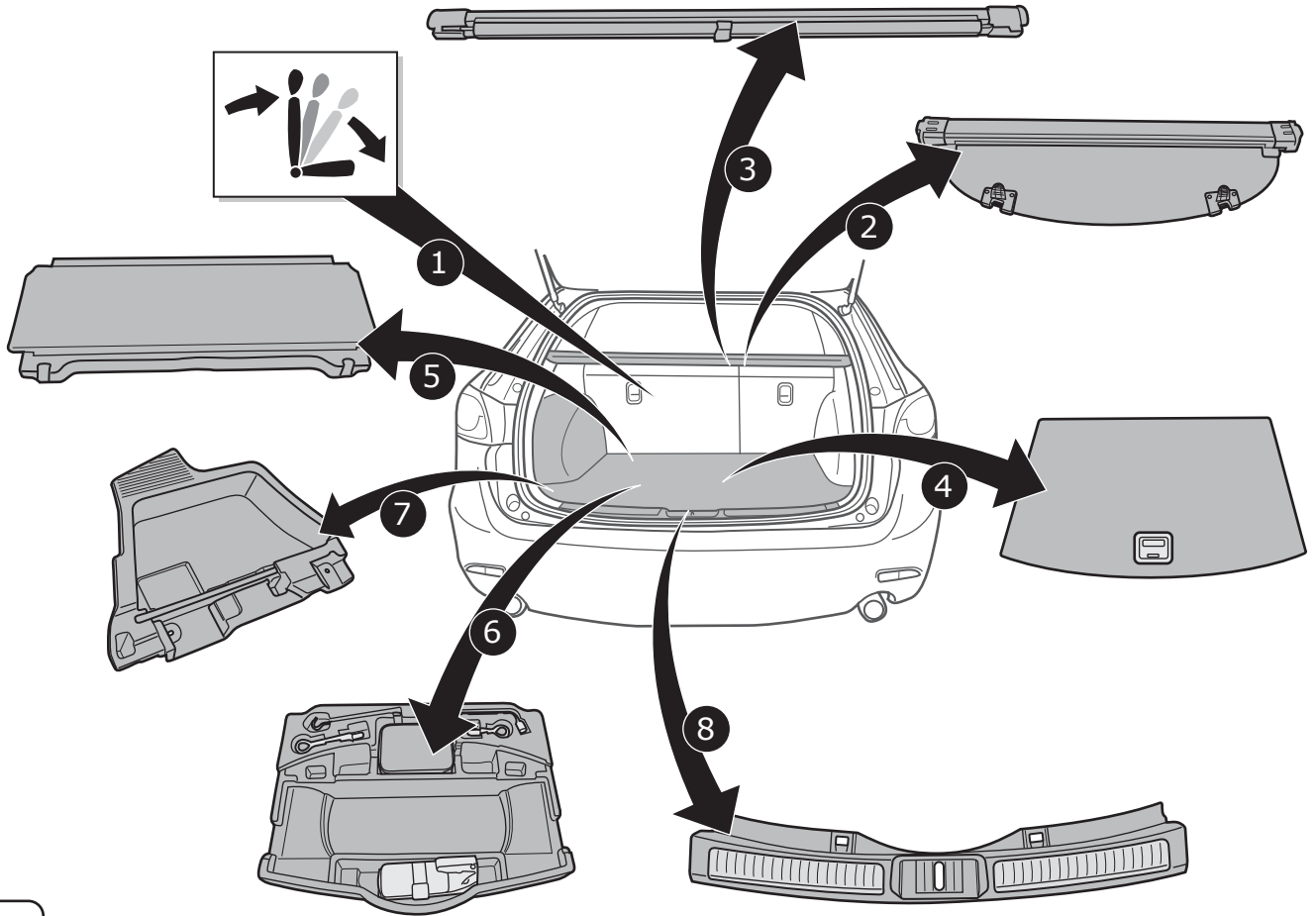
2

Saloon



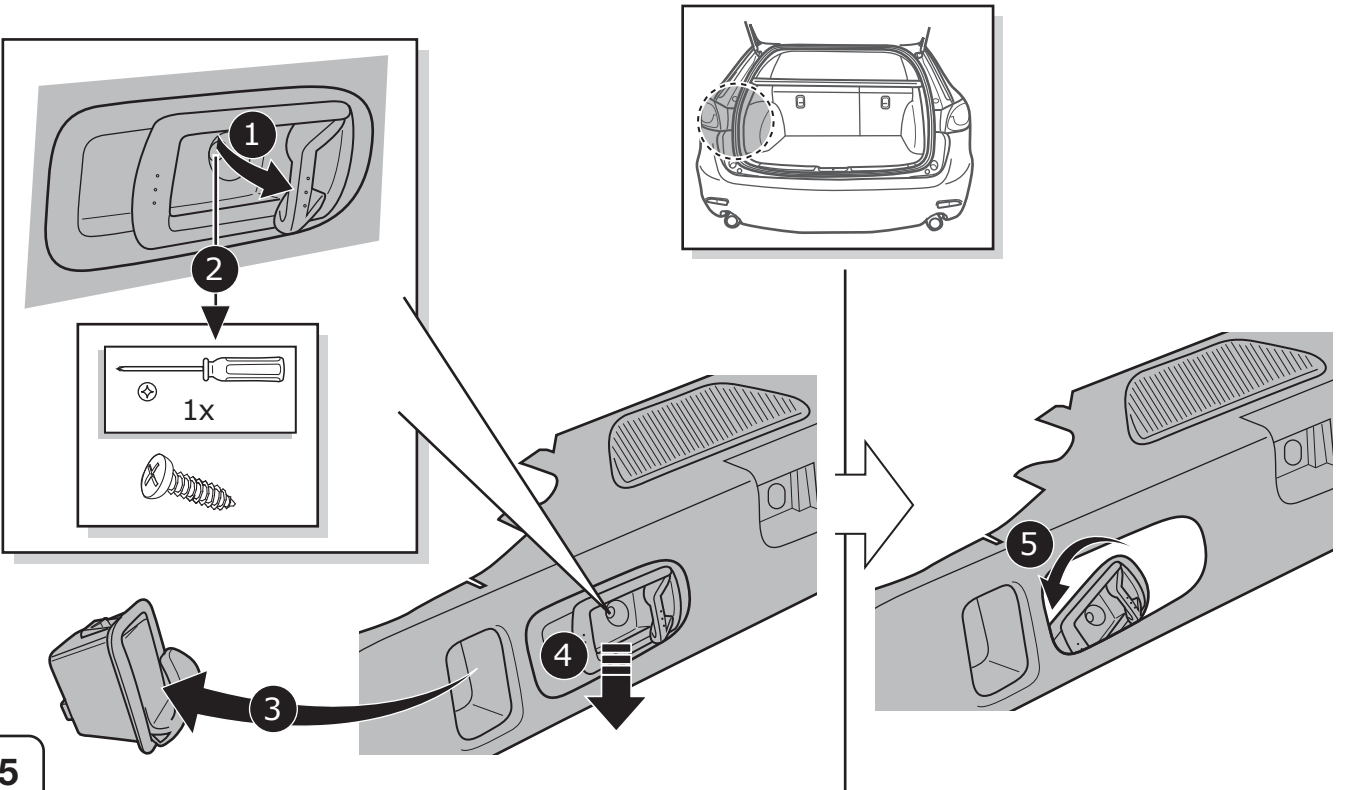
3

Estate



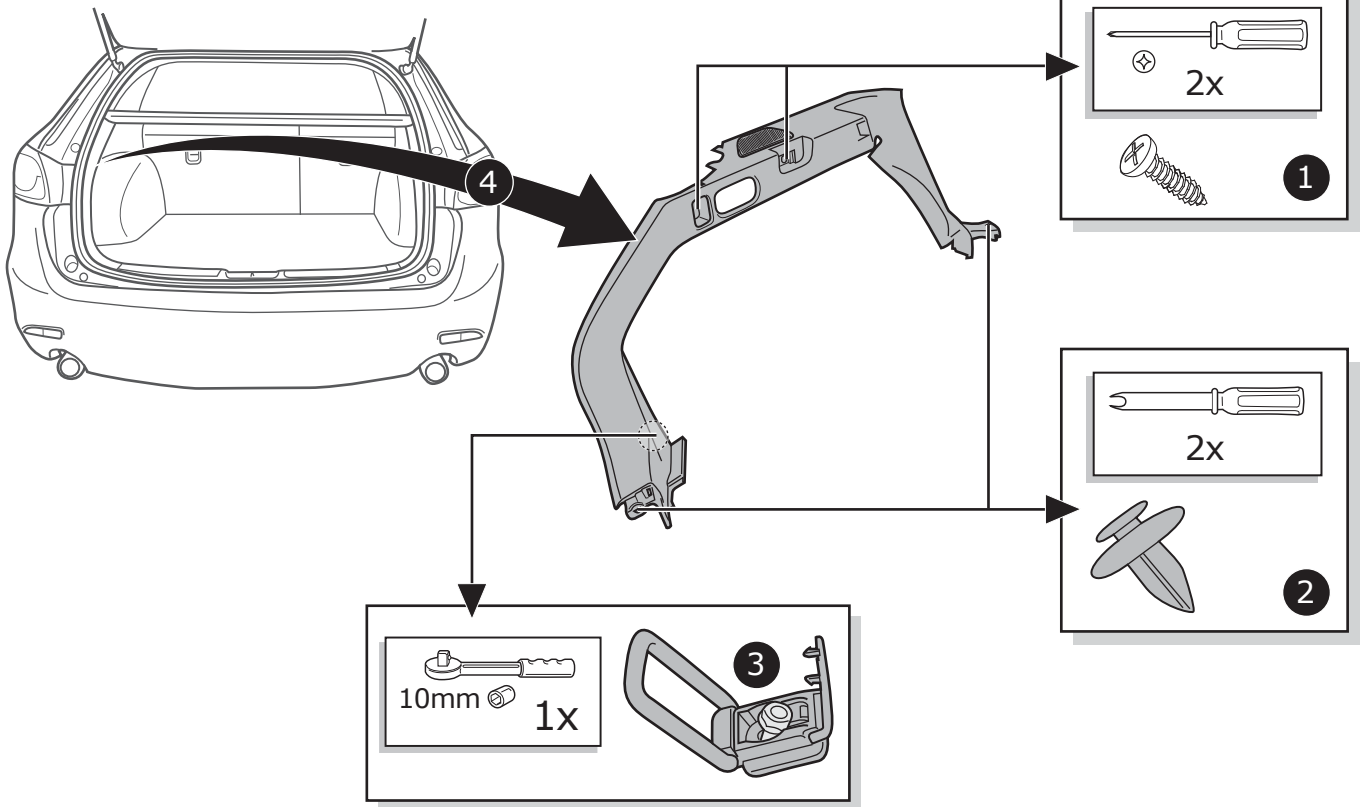
4

Estate



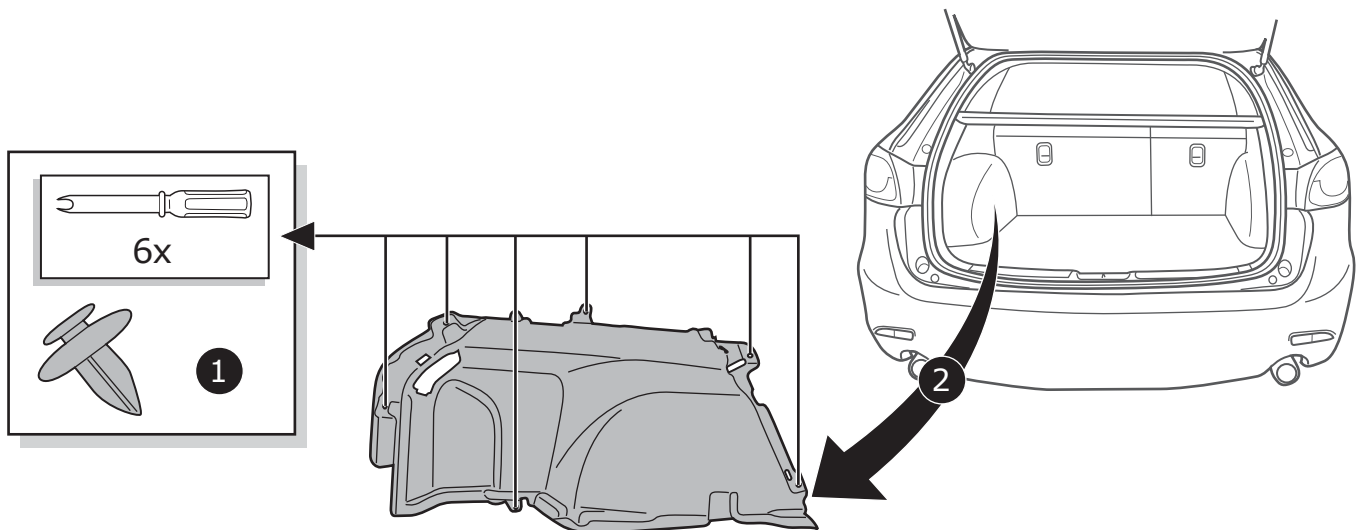
5

Estate

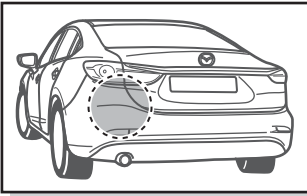


6

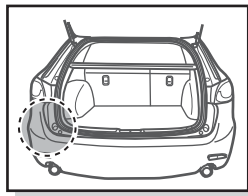
Estate



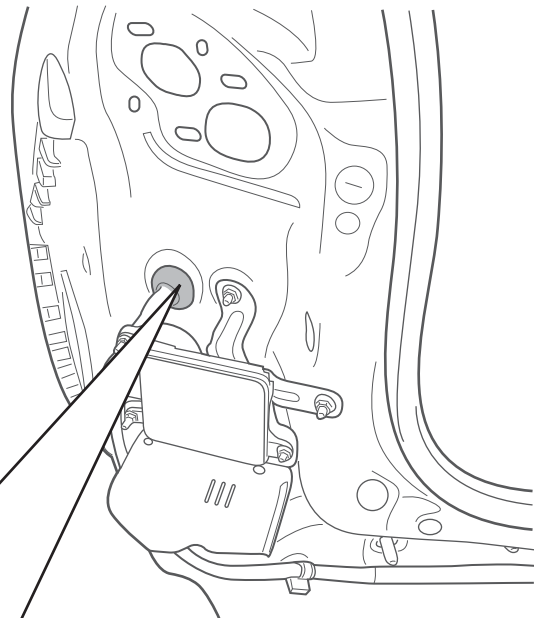
7



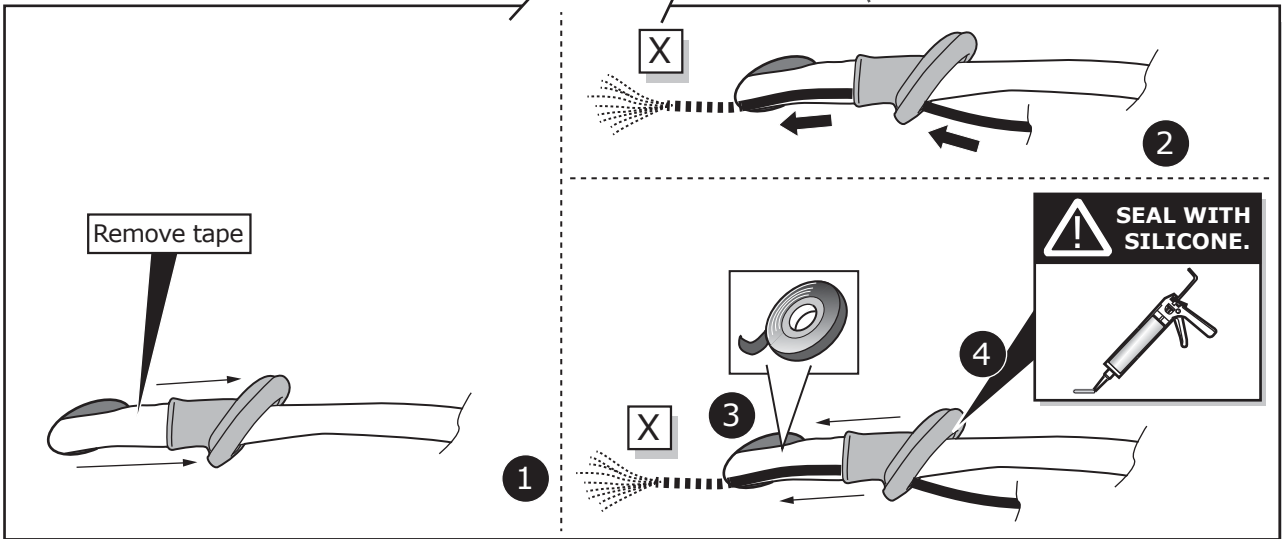
Saloon



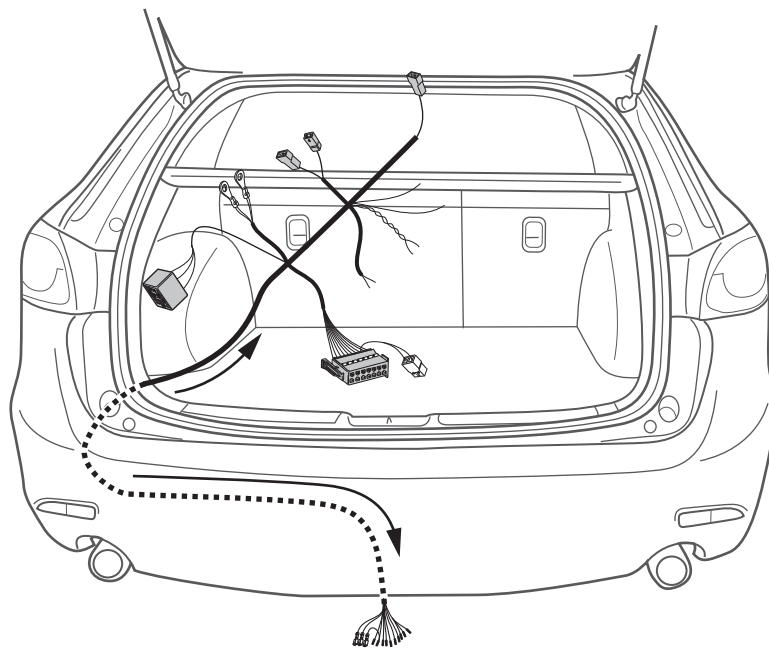
Estate




Do not damage
OEM harness

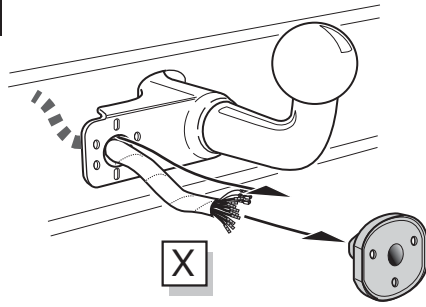


8

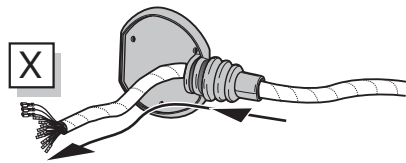


9

Option 1

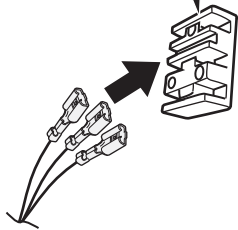


Option 2



10

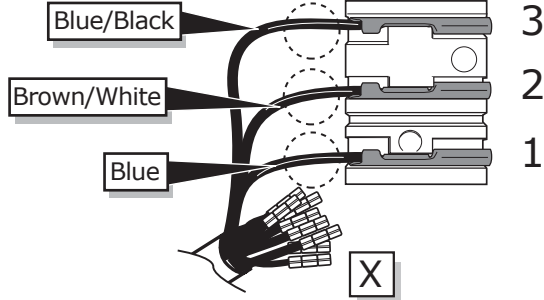
White



Blue/Black

Brown/White

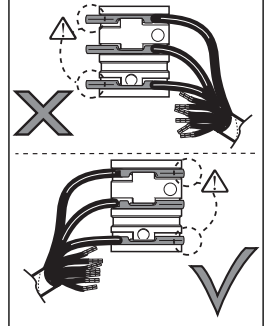
Blue



3

2

1



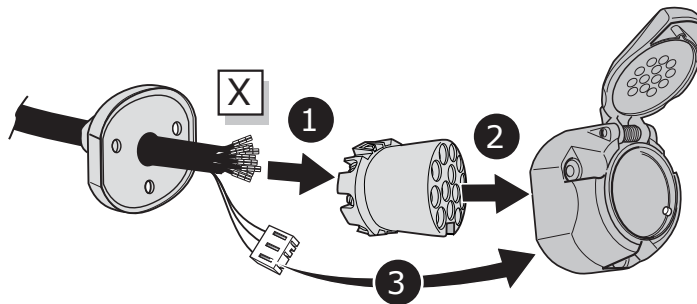
11

SOCKET CONNECTION



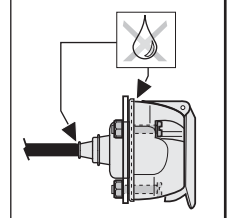
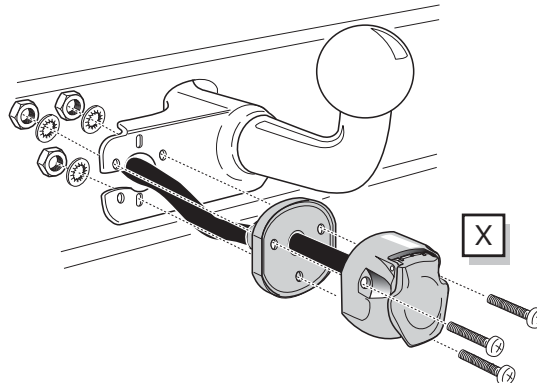
Page 24

12



13

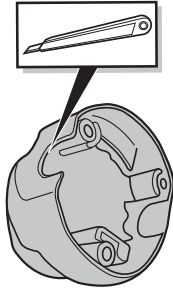
Option 1



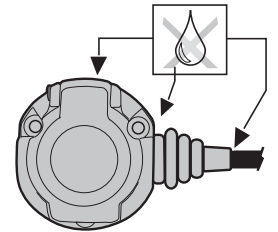
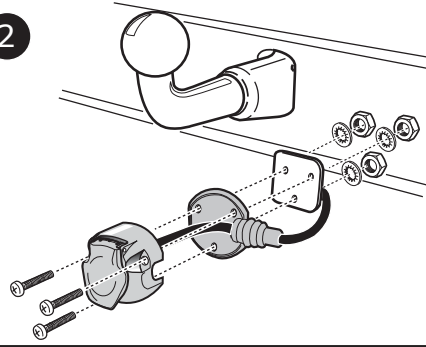
14

Option 2

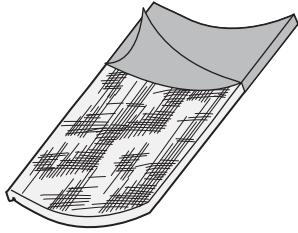
1



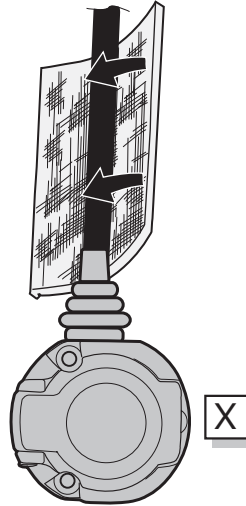
2



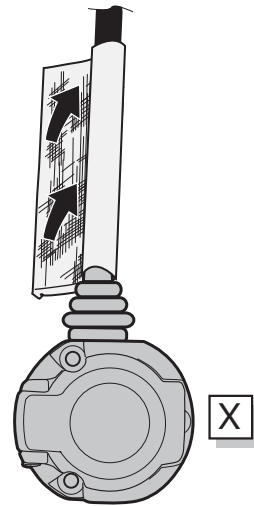
15



1

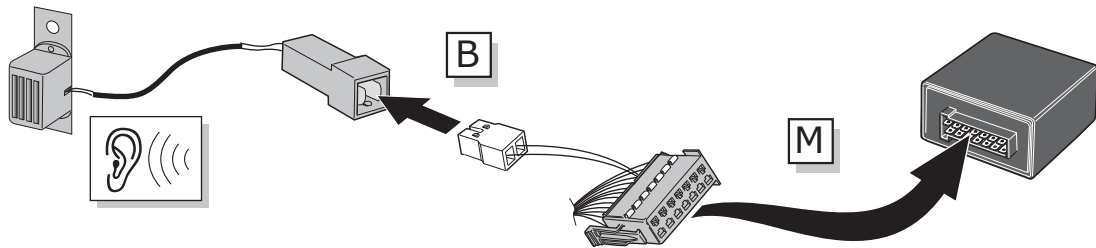


2

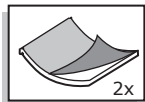


3

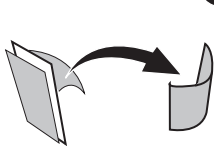
16



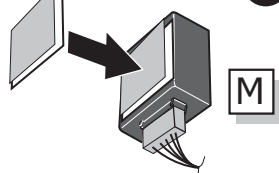
17



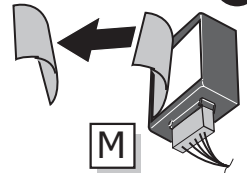
1



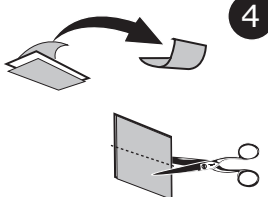
2



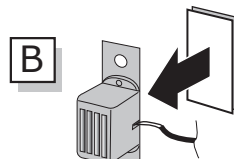
3



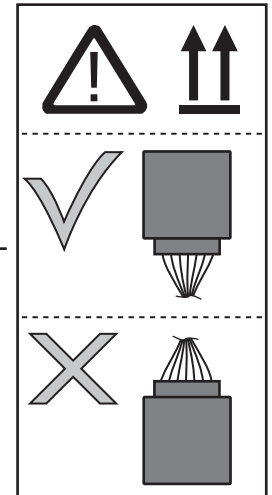
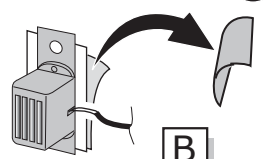
4



5

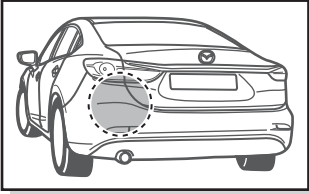



6

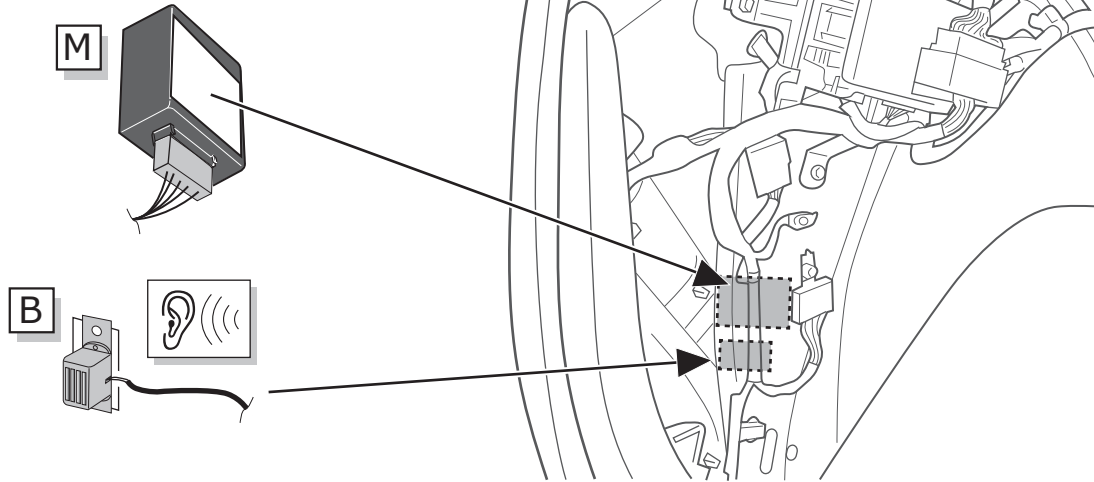


18

Saloon

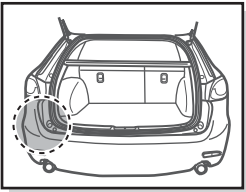



 Important!
Please note informations
in picture 1!

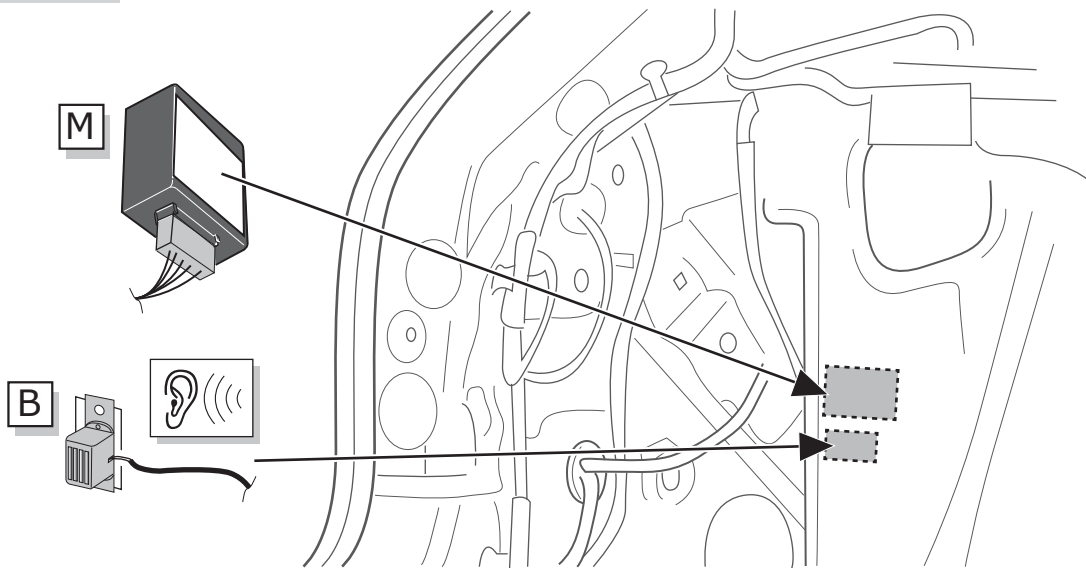


19

Estate

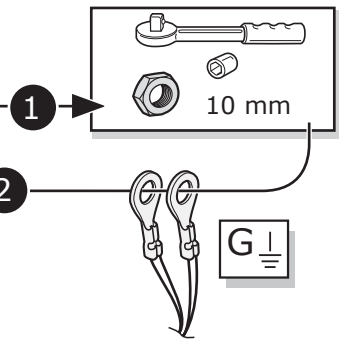
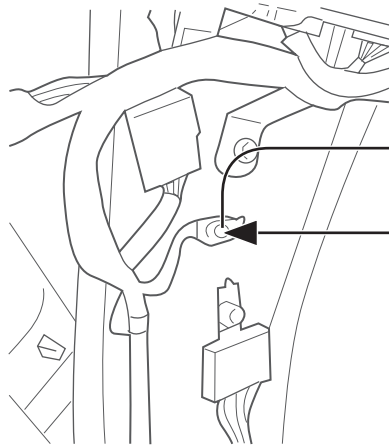
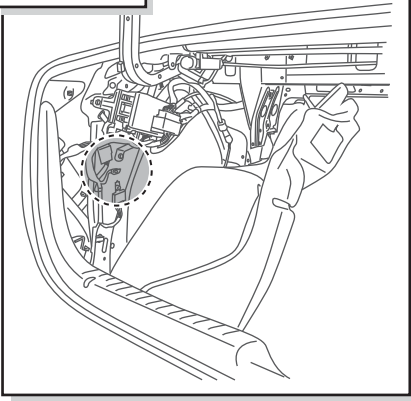


 Important!
Please note informations
in picture 1!

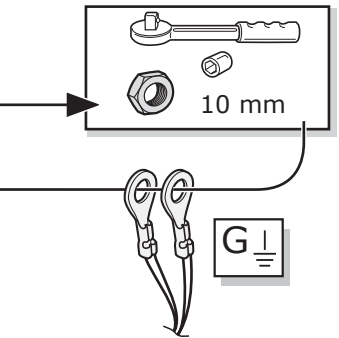
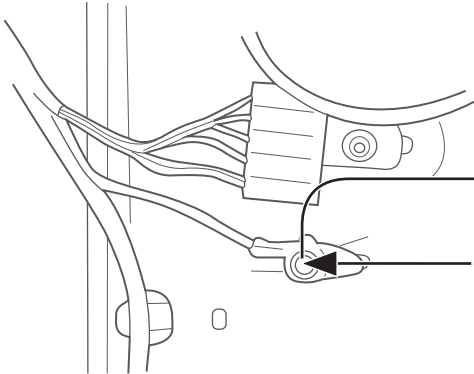
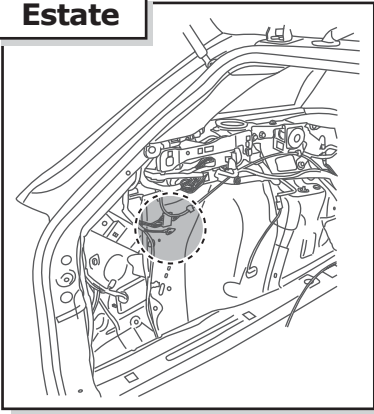


20

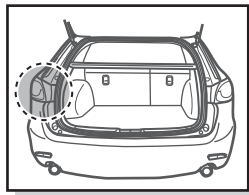
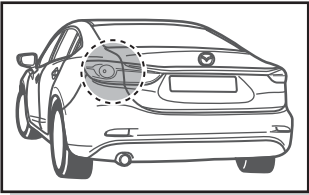
Saloon



Estate

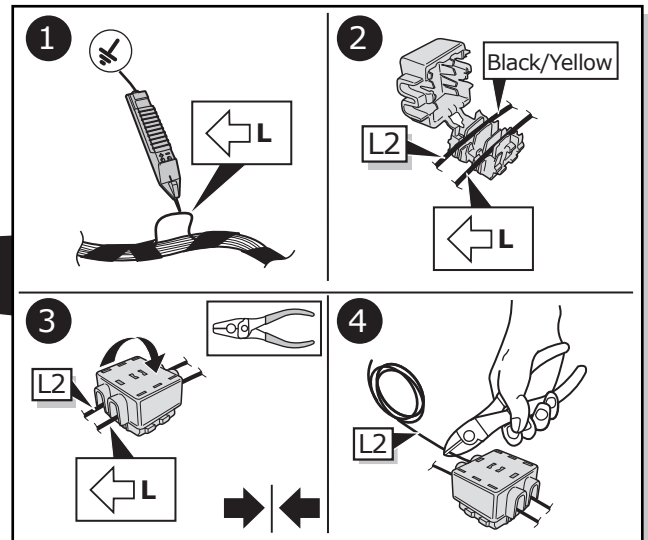
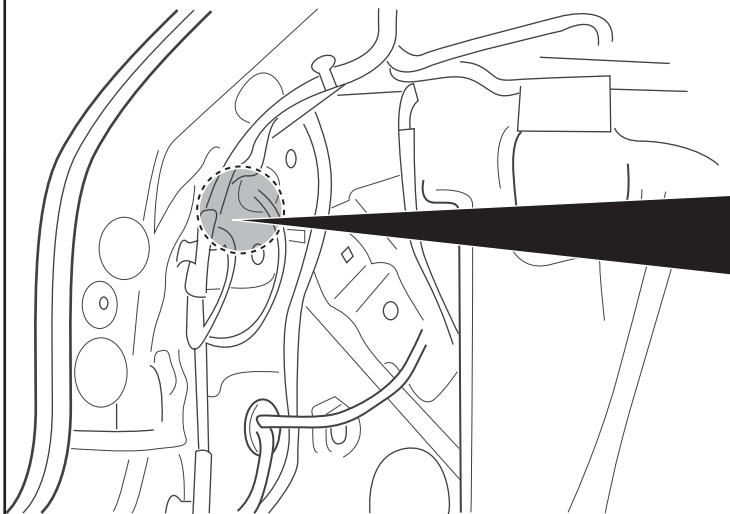


21



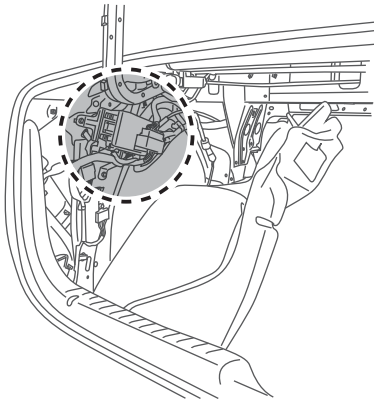
Saloon

Estate

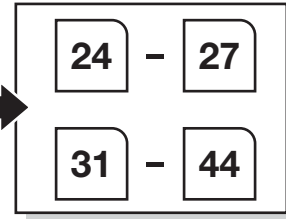
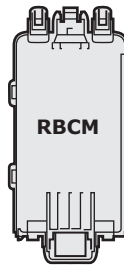


22

Saloon

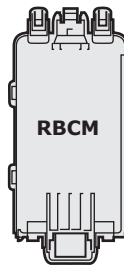
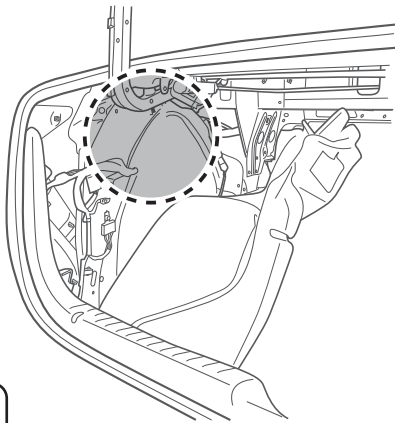


>> MY2019

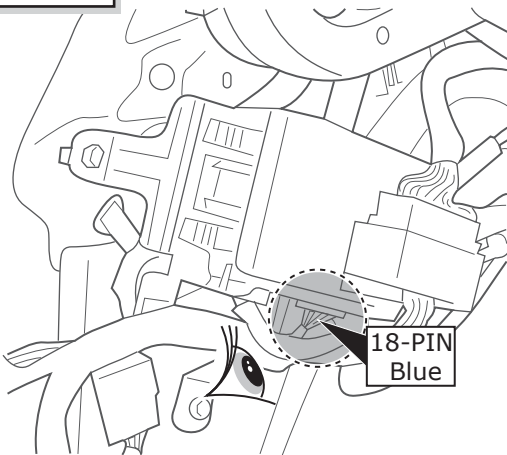


23

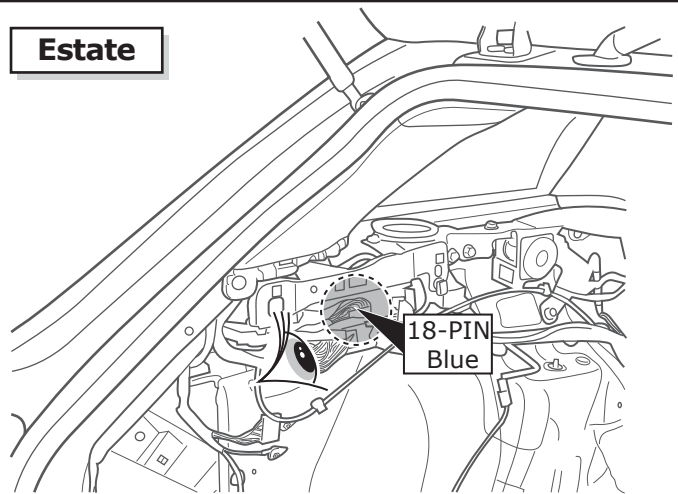
MY2019 >>



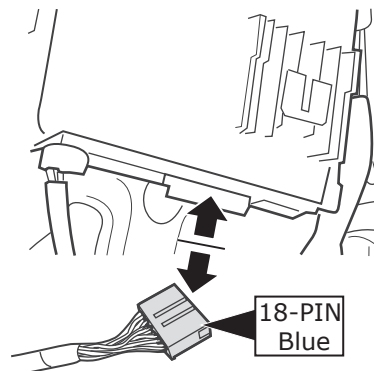
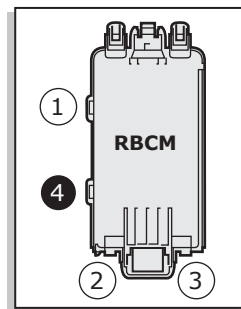
Saloon >> MY2019



Estate

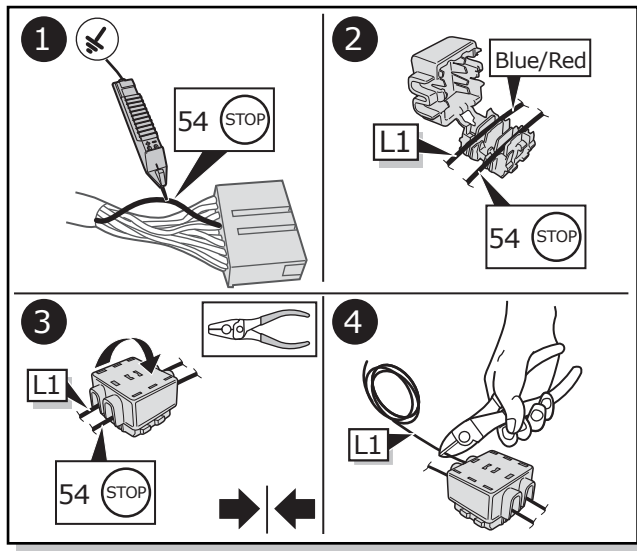
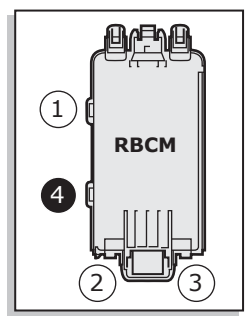
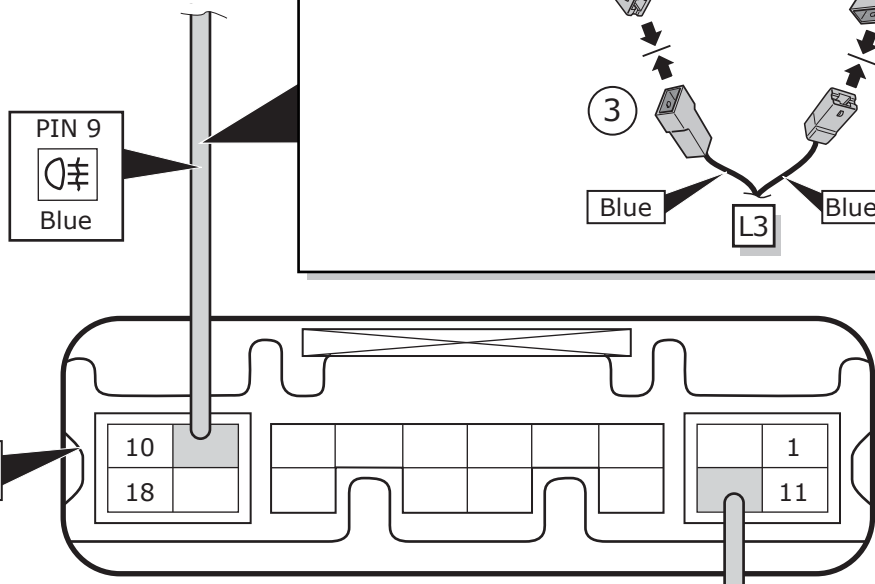
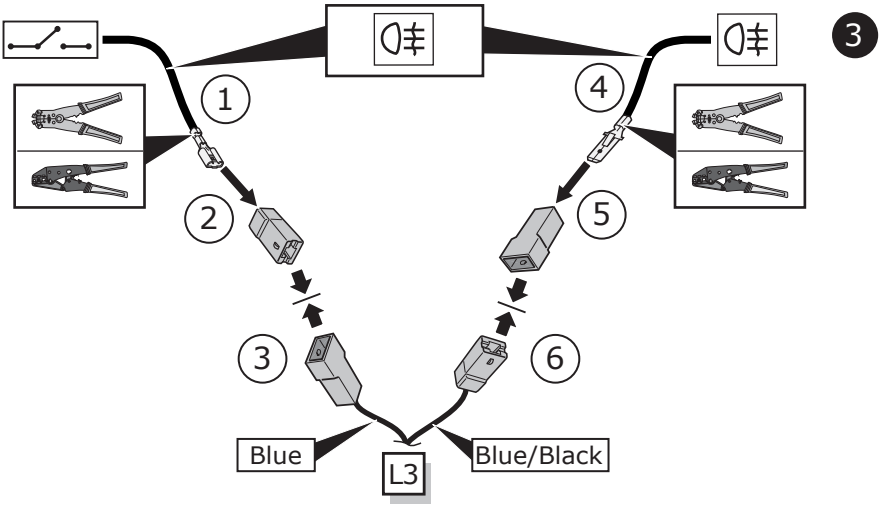
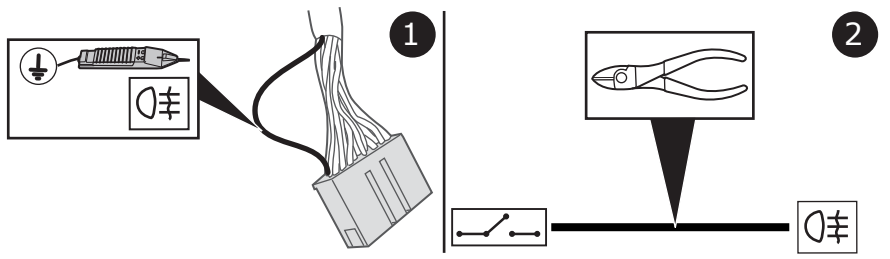
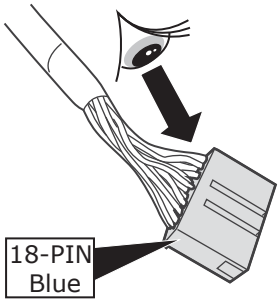


24



Saloon >> MY2019

Estate

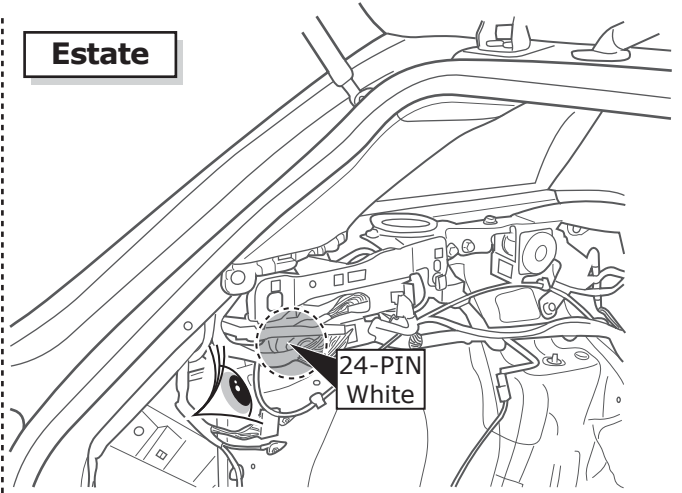
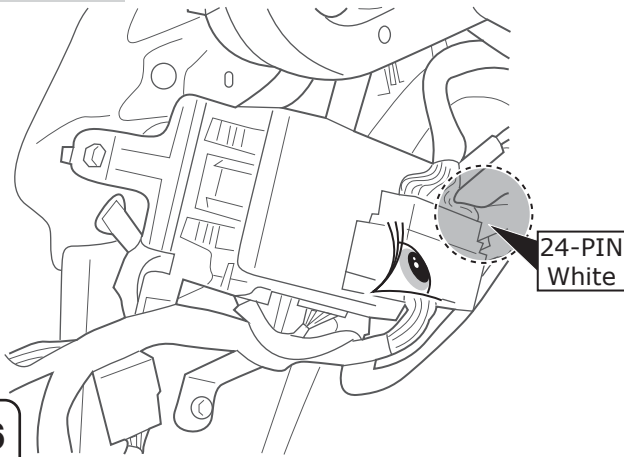


PIN 12
54 STOP
Red/Blue

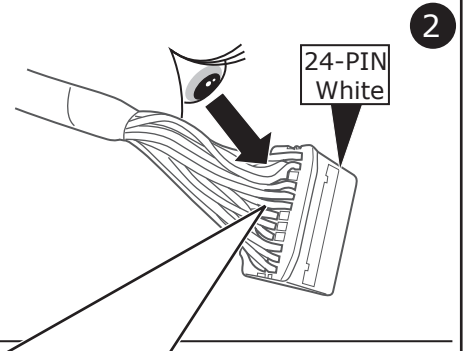
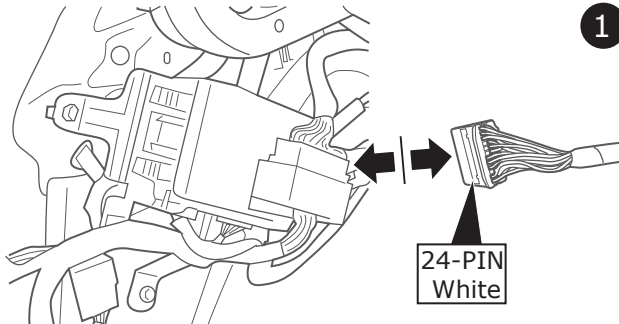
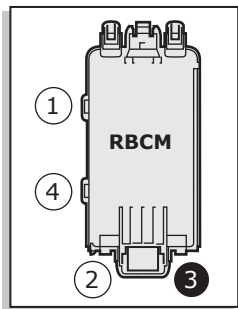
25

Saloon >> MY2019

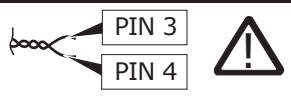
Estate



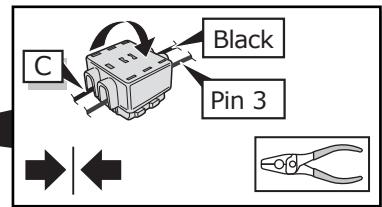
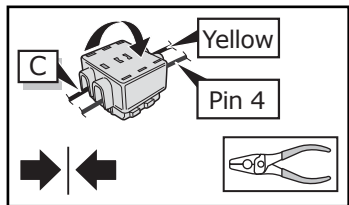
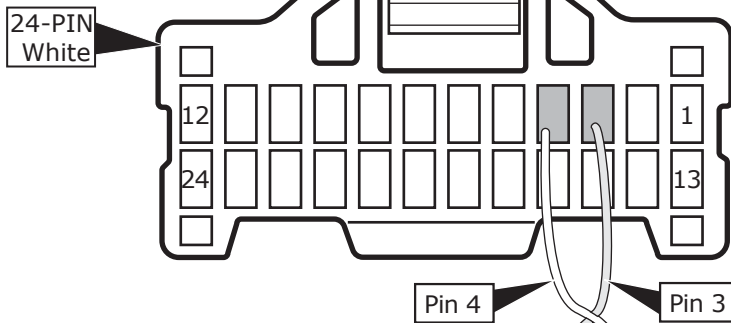
26



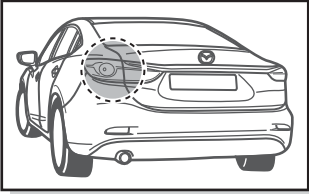
CAN-Data Wire



⚠ Important!
Please note informations
in picture 1!

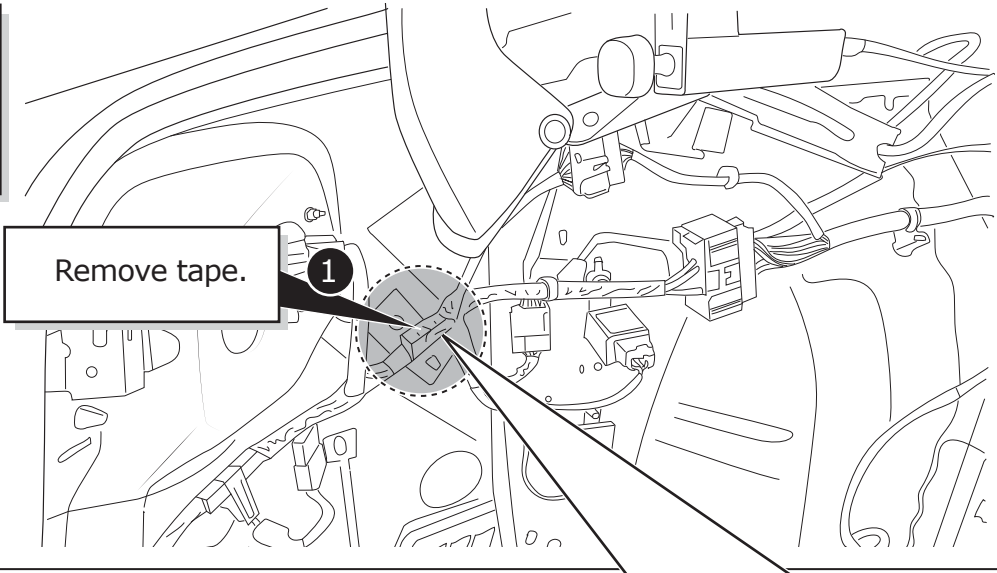


27



Saloon

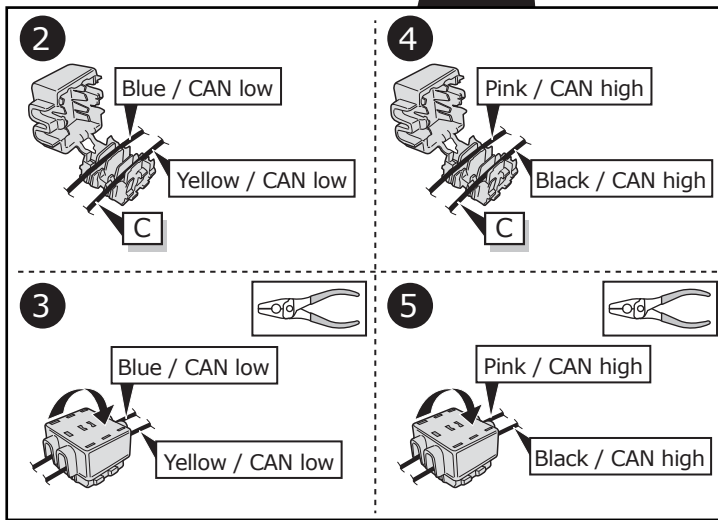
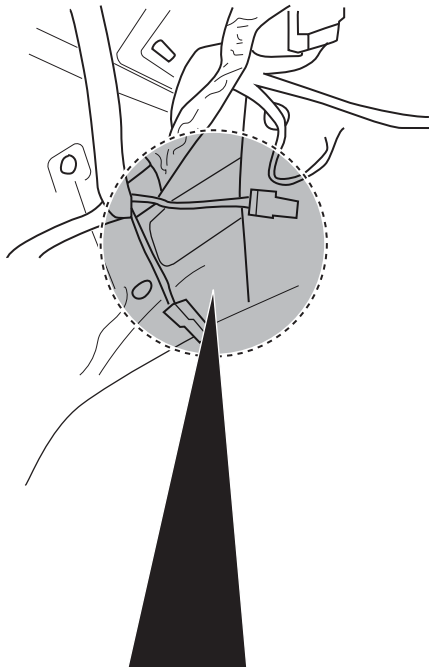
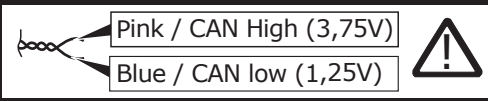
MY2019 >>



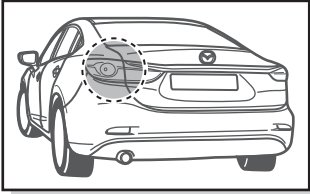
Remove tape.

1

CAN-Data Wire

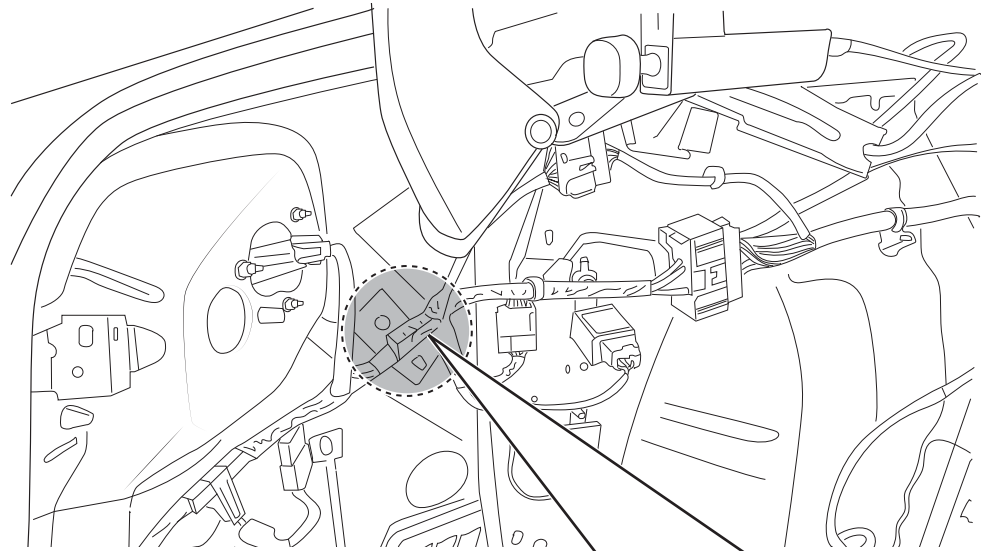


28



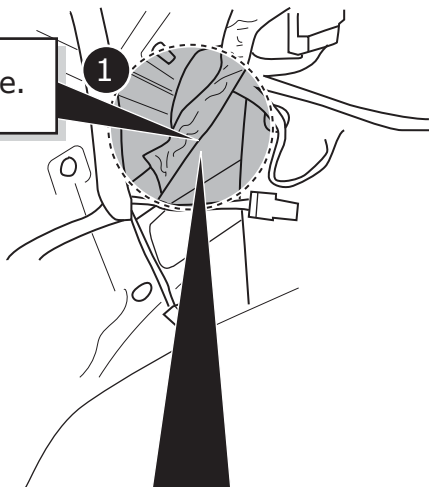
Saloon

MY2019 >>

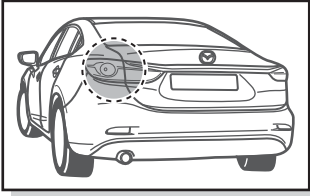


Remove tape.

1

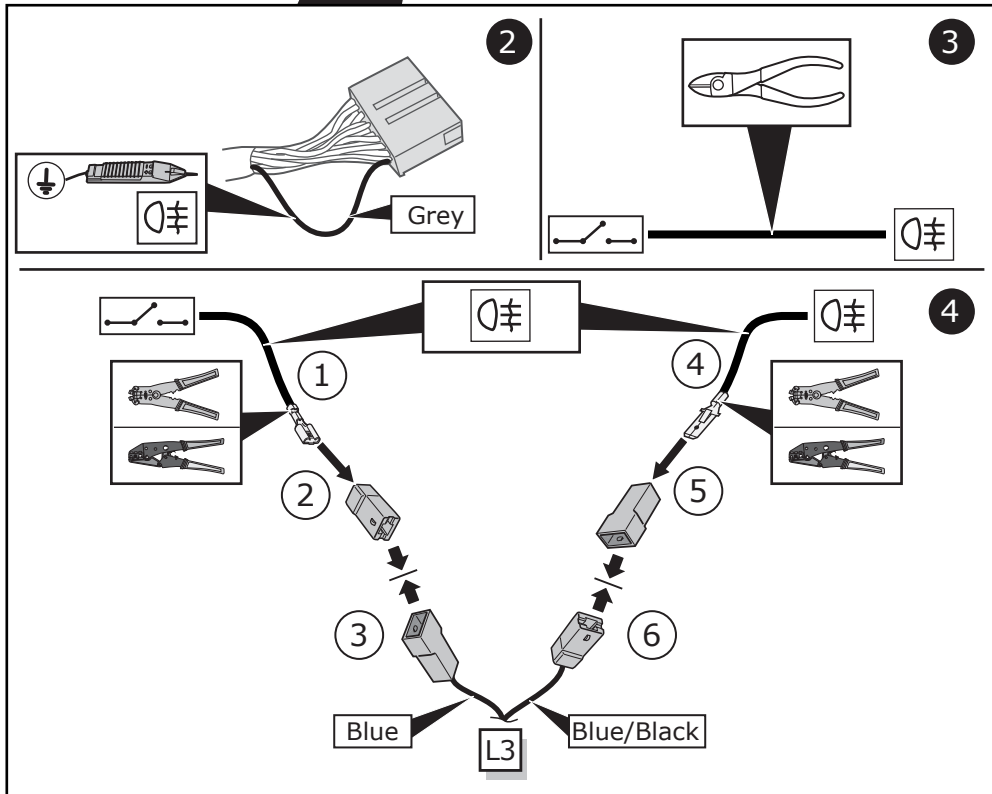
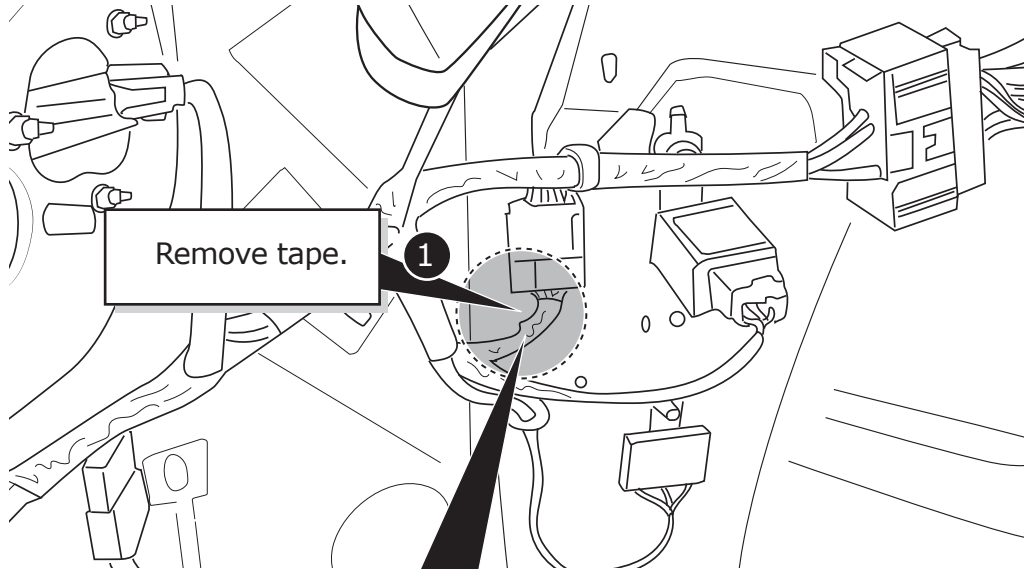


<p>2</p> <p>Yellow</p>	<p>3</p> <p>Blue/red</p> <p>Yellow</p> <p>54 STOP</p>	<p>6</p>
<p>4</p> <p>L1</p> <p>54 STOP</p>	<p>5</p> <p>L1</p>	



Saloon

MY2019 >>



Mazda 6 all models with factory fitted PDC system 

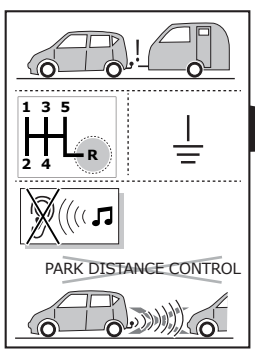
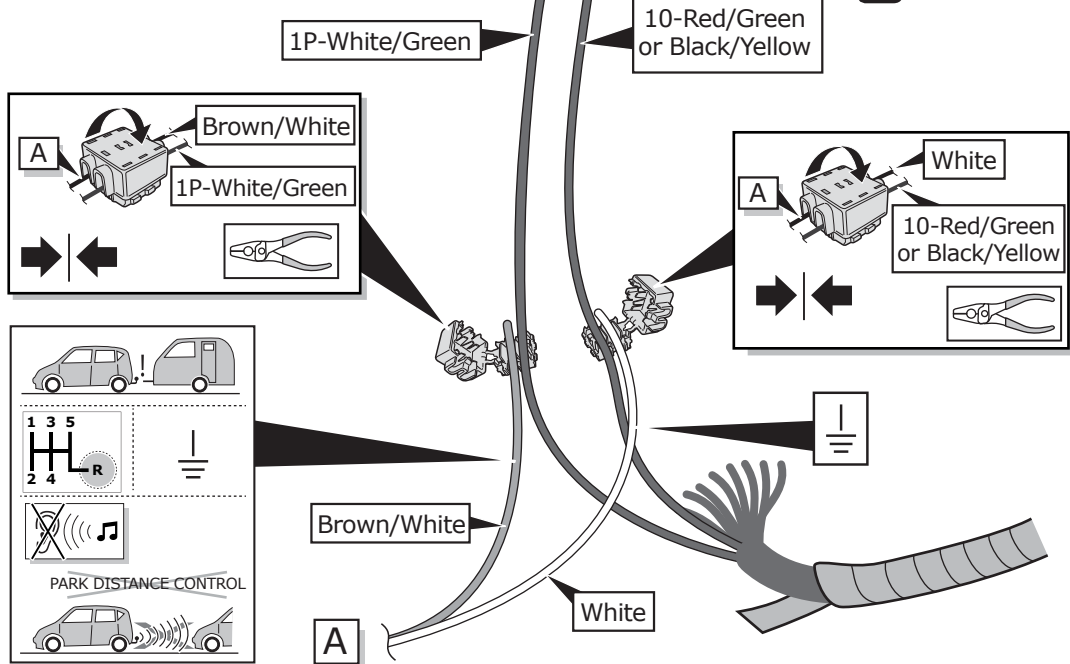
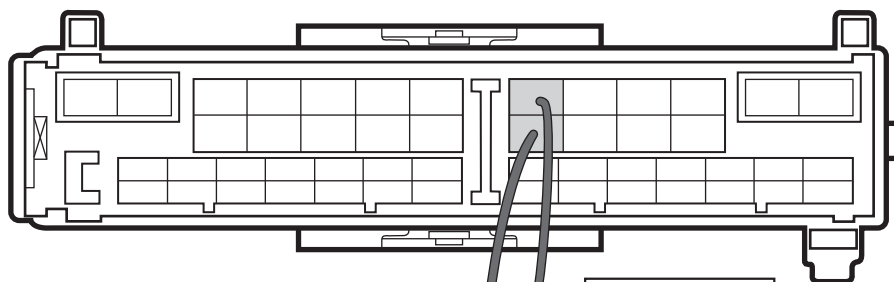
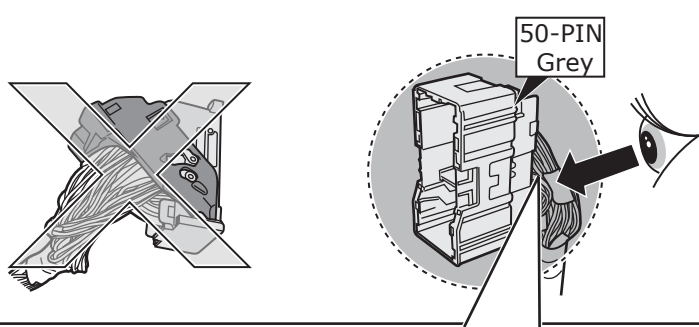
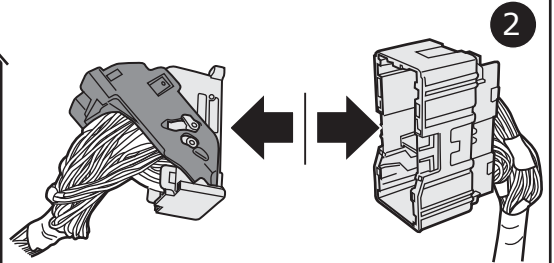
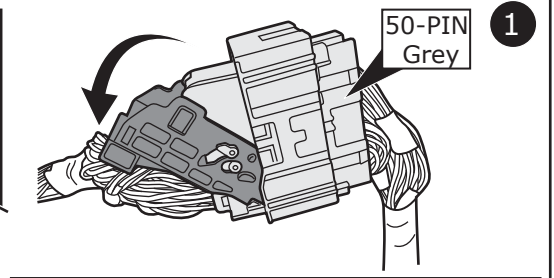
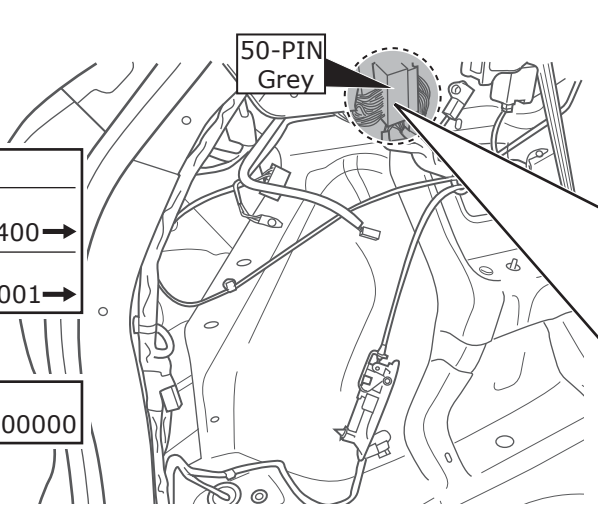
Option 1

Sedan

- Mazda 6 GJ
- Mazda 6 GH
JMZGJxxxxxx120400 →
- Mazda 6 GH
JMZGLxxxxxx500001 →

Wagon

- Mazda 6 GH
←JMZGLxxxxxx600000



Mazda 6 all models with factory fitted PDC system 

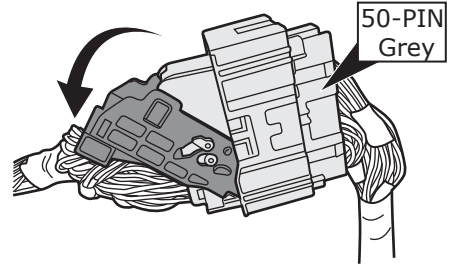
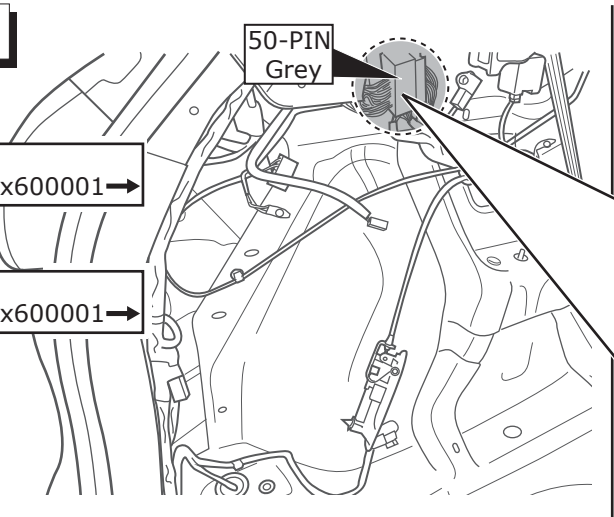
Option 1

Sedan

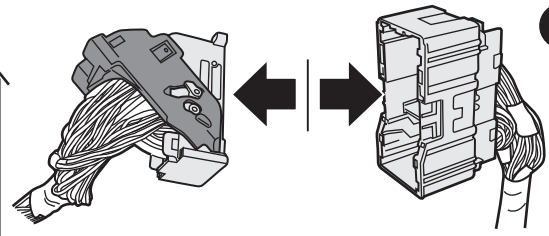
Mazda 6 GH
JMZGLxxxxx600001 →

Wagon

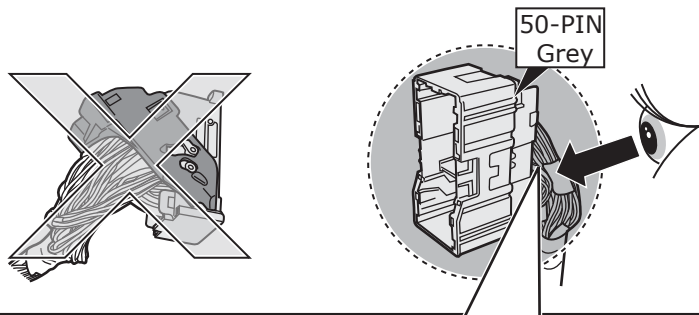
Mazda 6 GH
JMZGLxxxxx600001 →



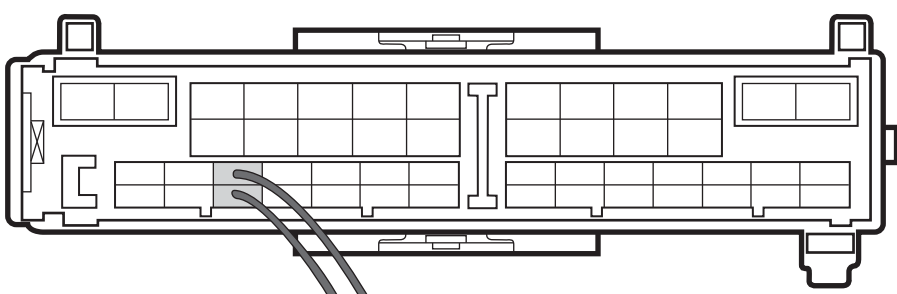
1



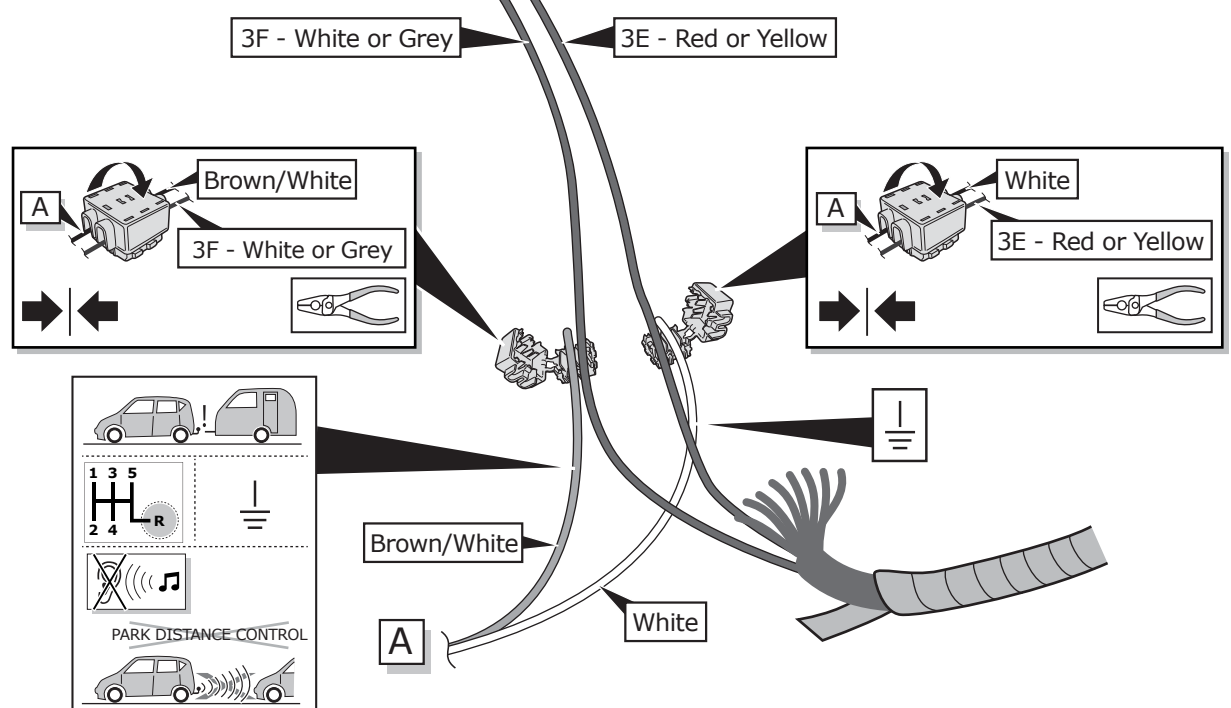
2



3

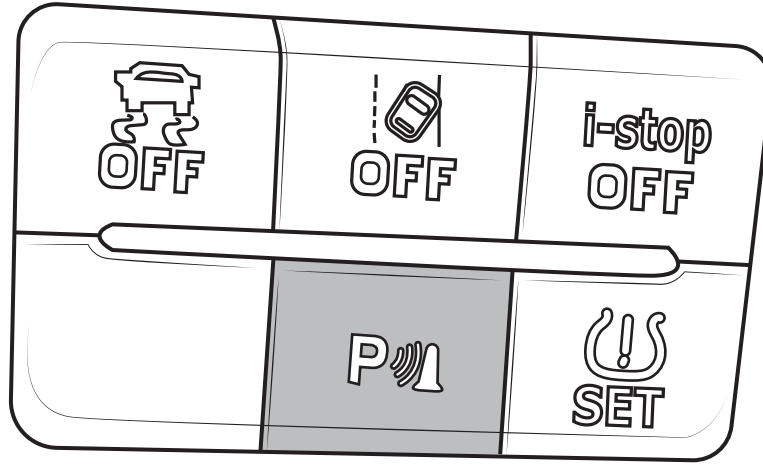


4



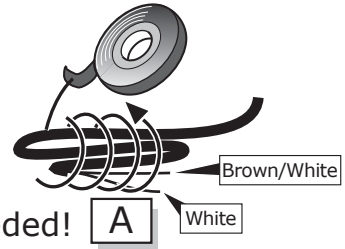
32

Option 2



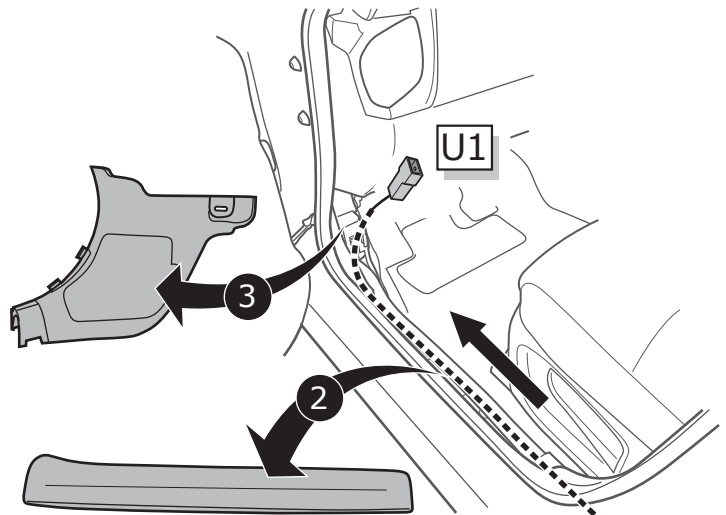
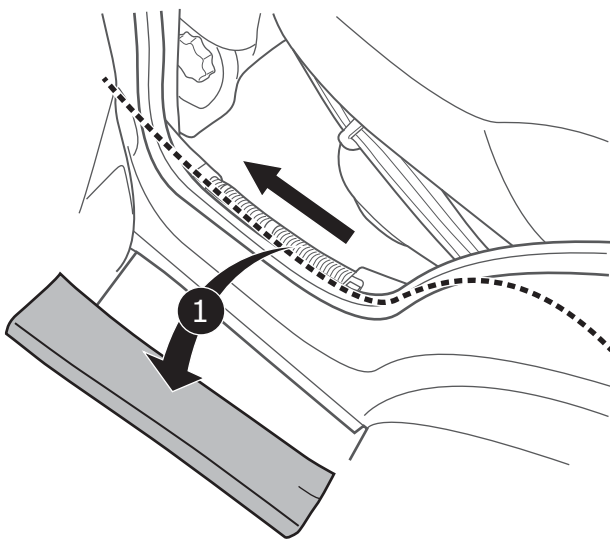
33

Mazda 6 all models without factory fitted PDC system

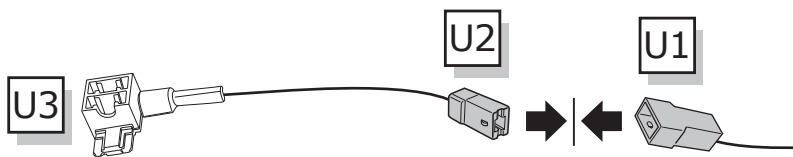


Not needed!

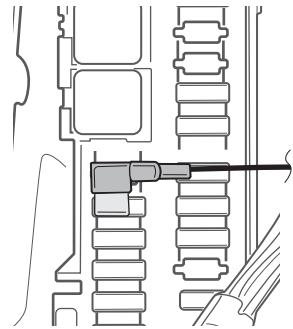
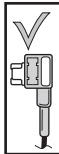
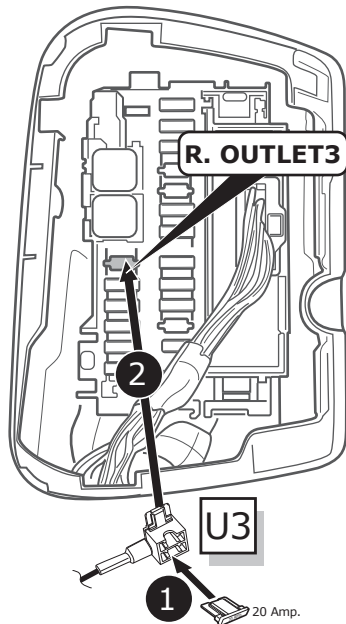
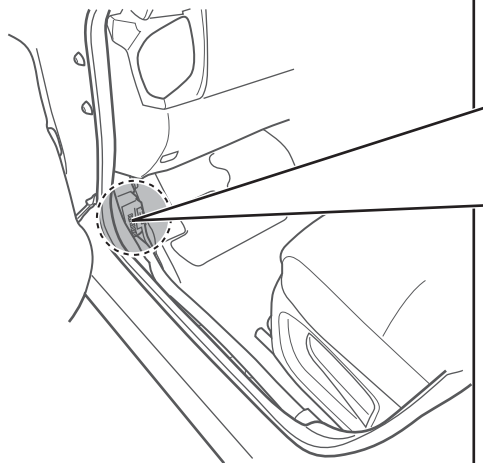
34



4



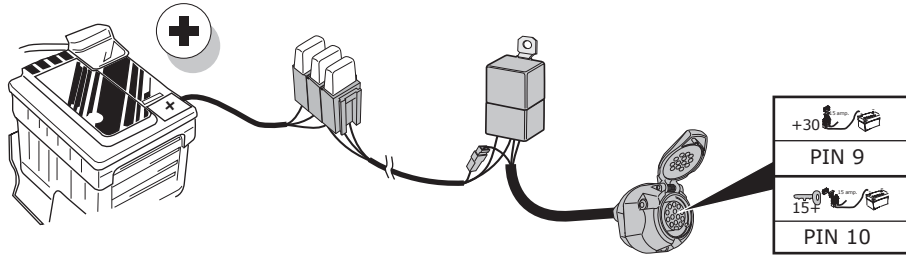
35



! Important!
Please do not mount the fuse tap and its wiring output in the other direction!

36

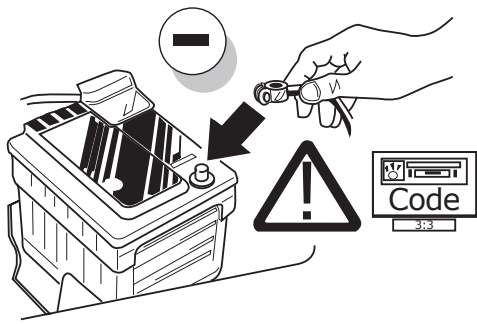
Optional



Extension kit
UV-005-ZZU

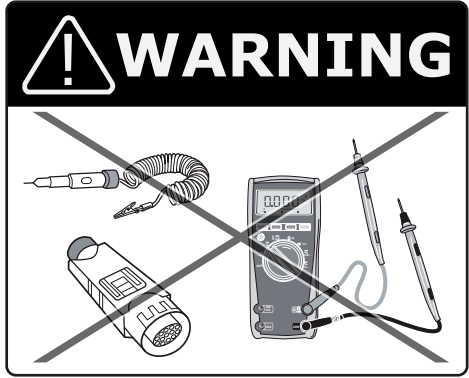
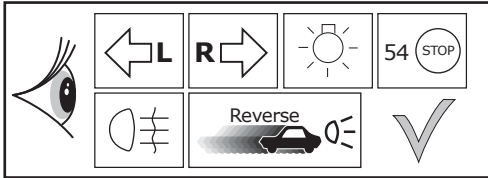
Consult your supplier.

37



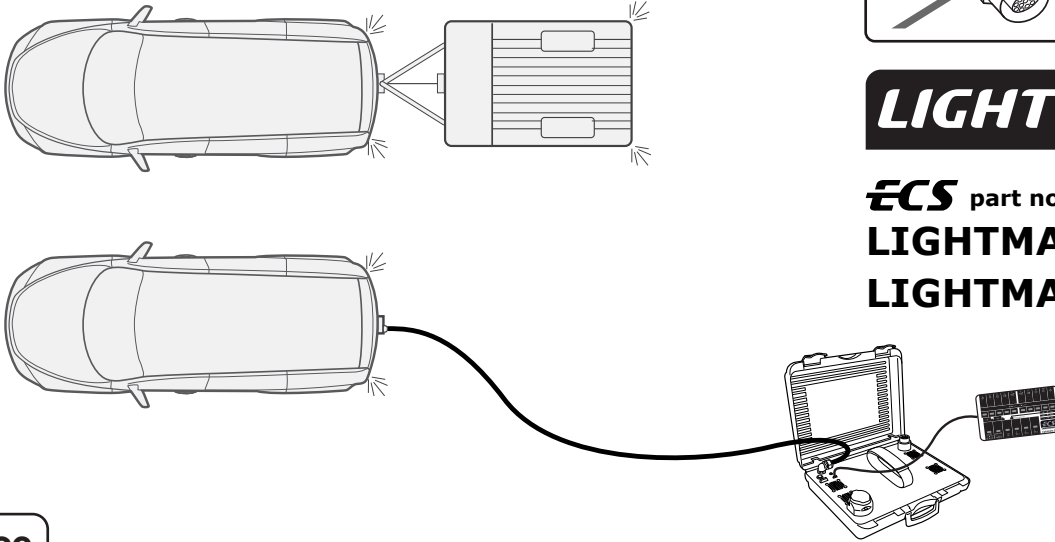
38

Functional test

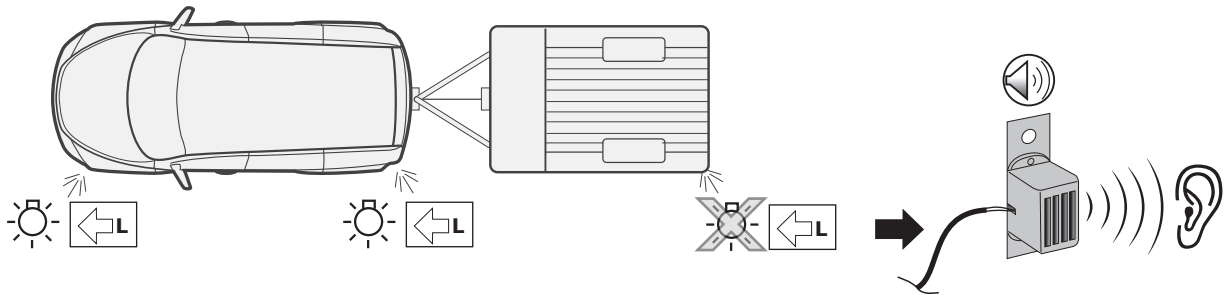


LIGHTMATE

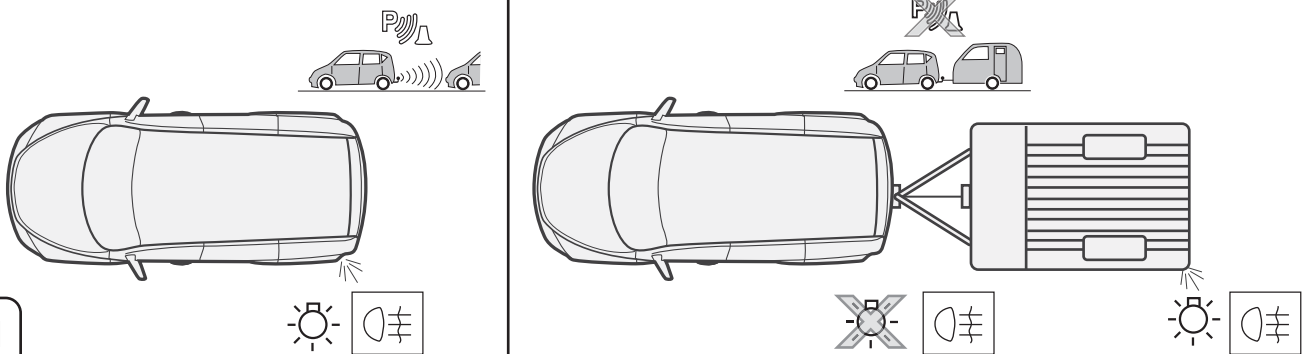
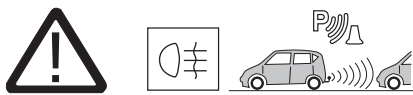
ECS part no.
LIGHTMATE II
LIGHTMATE III



39



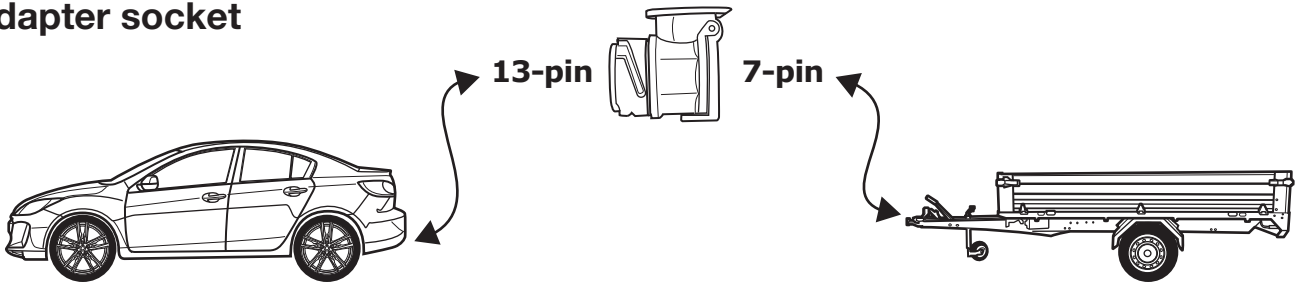
40



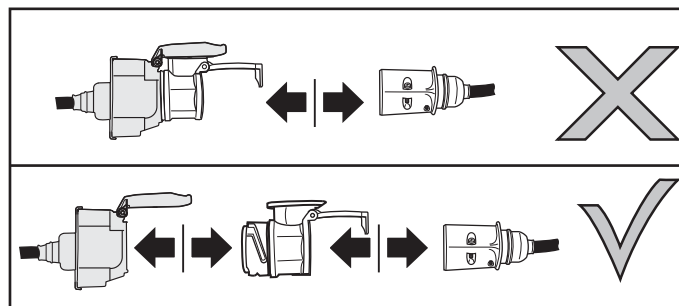
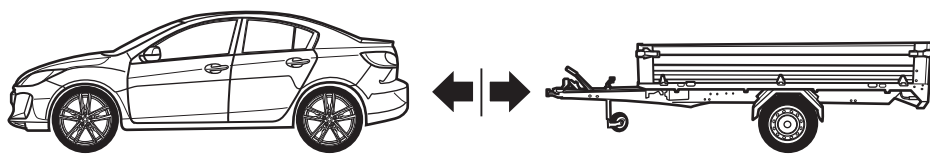
41

Optional

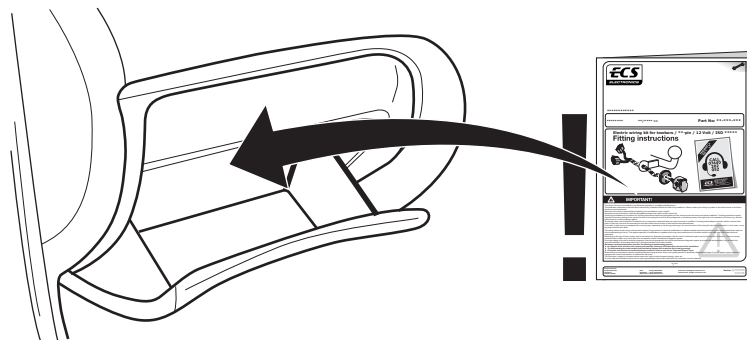
Adapter socket



42

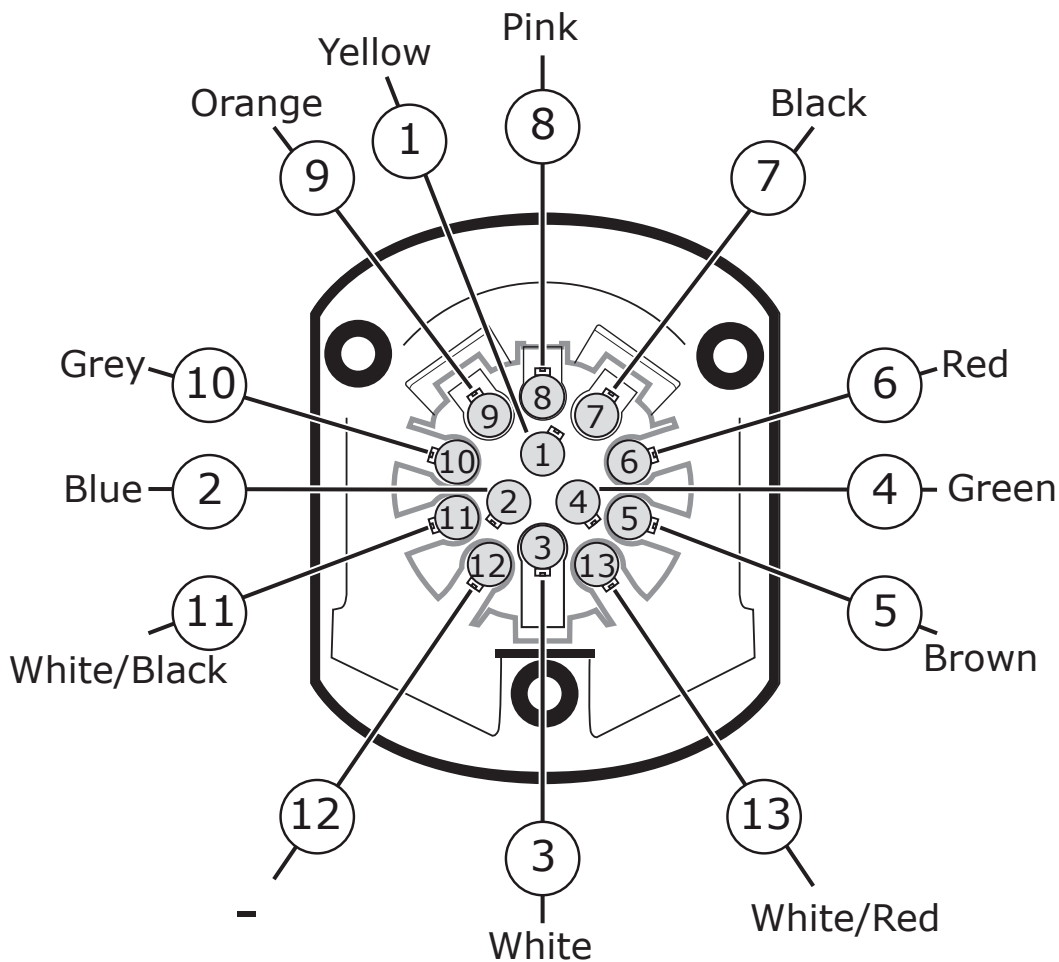


43



44

SOCKET CONNECTION



SOCKET CONNECTION

DIN/ISO 11446	← L	⊕	⊥ 1-8	R →	☀	⊖	☀	Reverse	30+	15+	⊥ 10	—	⊥ 9
	1/L	2	3/31	4/R	5/58-R	6/54	7/58-L	8	9	10	11	12	13
Pmax	21W	21W		21W	42W	3x21W	42W	21W	180W	180W			
Colour	Yellow	Blue	White	Green	Brown	Red	Black	Pink	Orange	Grey	White/Black	-	White/Red