

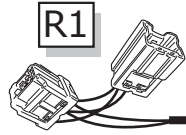
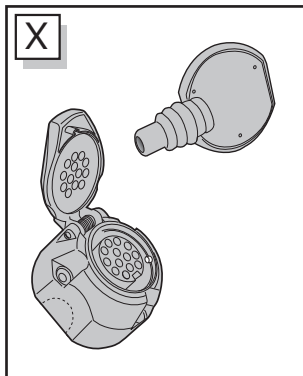
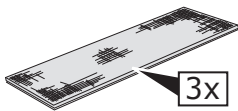
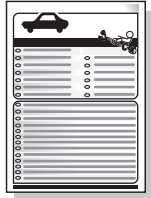
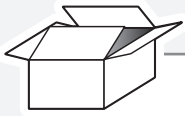
Nissan Juke 05/2014 >> 10/2019

Partnr.: NI-111-DHU

- Fitting instructions electric wiring kit tow bar with 13-P socket up to DIN/ISO Norm 11446.
- We would expressly point out that assembly not carried out properly by a competent installer will result in cancellation of any right to damage compensation, in particular those arising by virtue of the product liability act.
- Contents of these kits and their fitting manuals are subject to alteration without notice, please ensure that these instructions are read and fully understood before commencing installation.
- Do not overload circuits; the maximum loads per connection are detailed in this manual.
- Attention! Before Installation, please read this manual carefully and inform your customer to consult the vehicle owners manual to check for any vehicle modifications required before towing.
- In the event of functional problems, troubleshooting must be limited to about 0.5 hours, contact the technical support:
t.skinner@ecs-electronics.com / 07440 202 052.



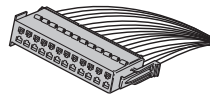
Part list



OPTION
+30/+15



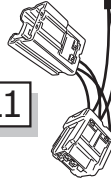
M



G |



L1



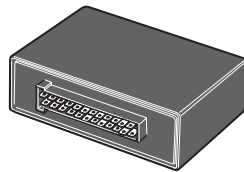
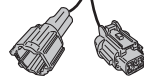
T



X

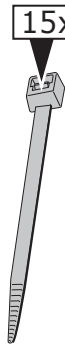


L2



M

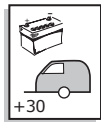
15x



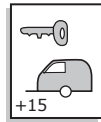
3x



* OPTION
+30/+15
preparation for



Brown/White



Red



OPTION P.D.C.

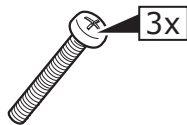
PARK DISTANCE CONTROL

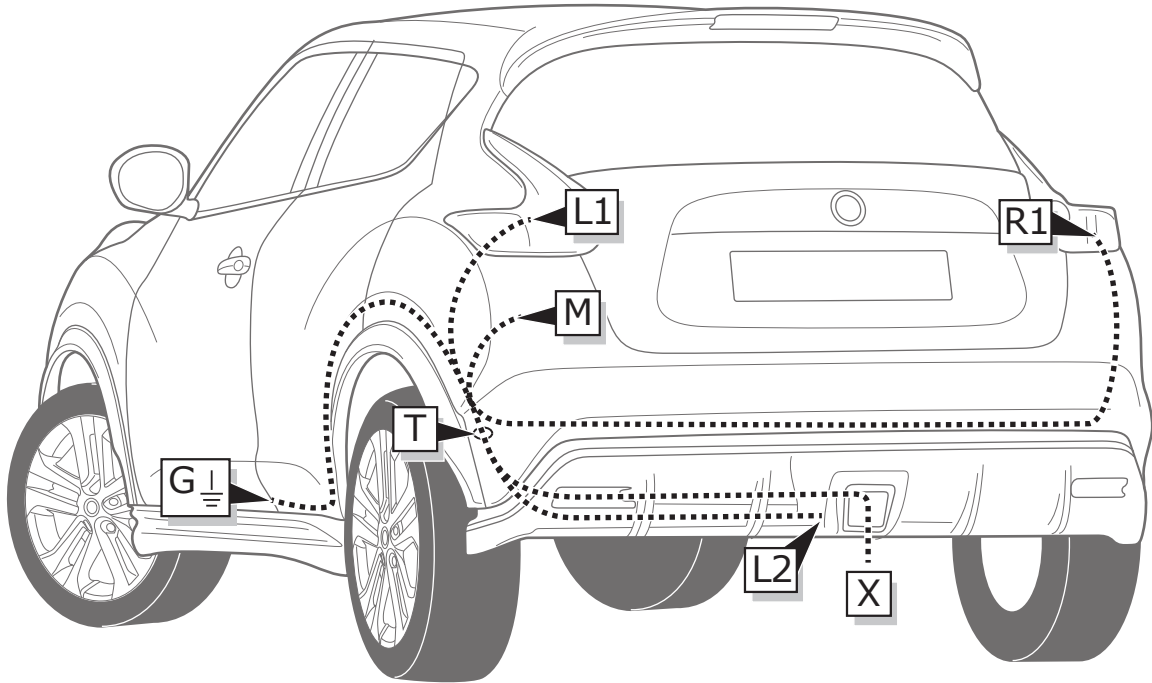
↓

PARK DISTANCE CONTROL

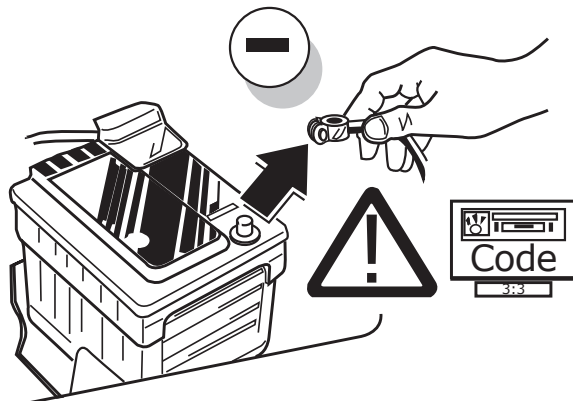
2x

→ Pag. 12

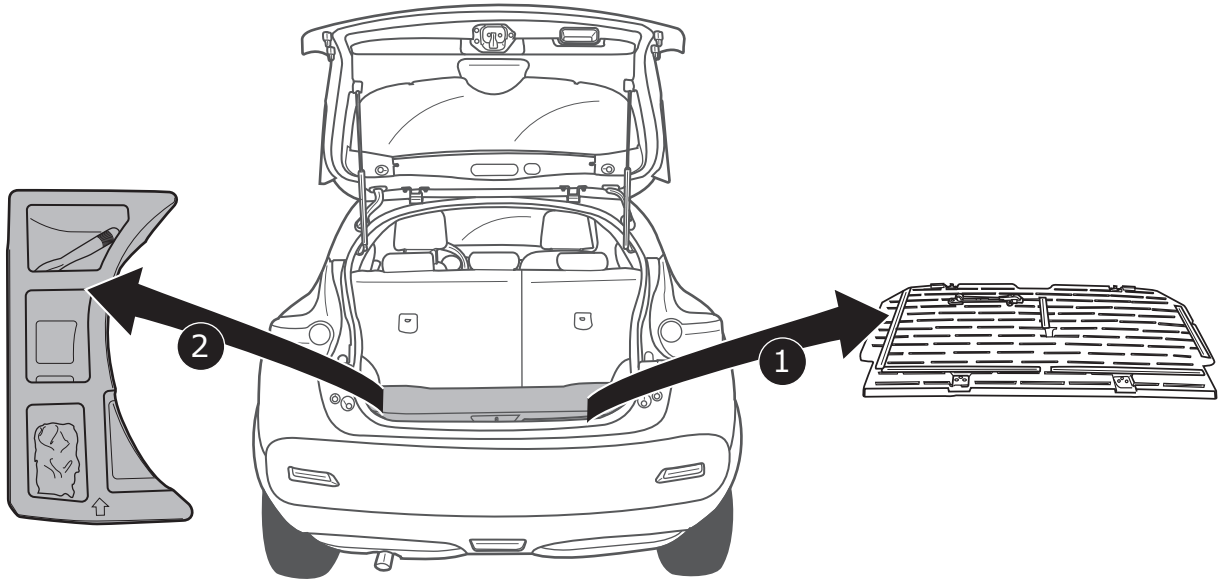




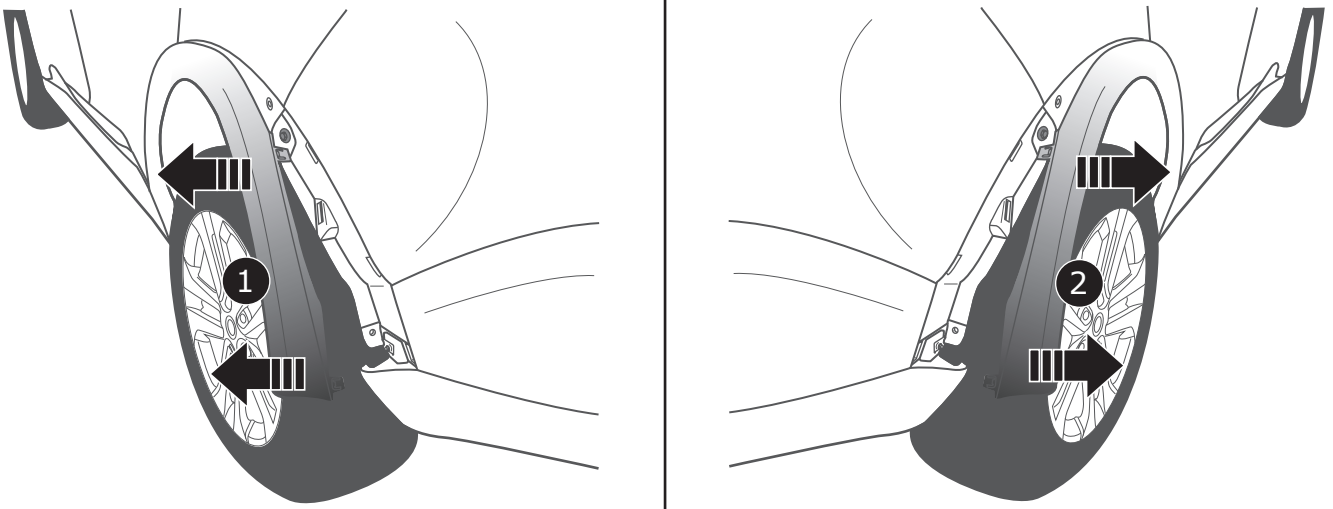
1



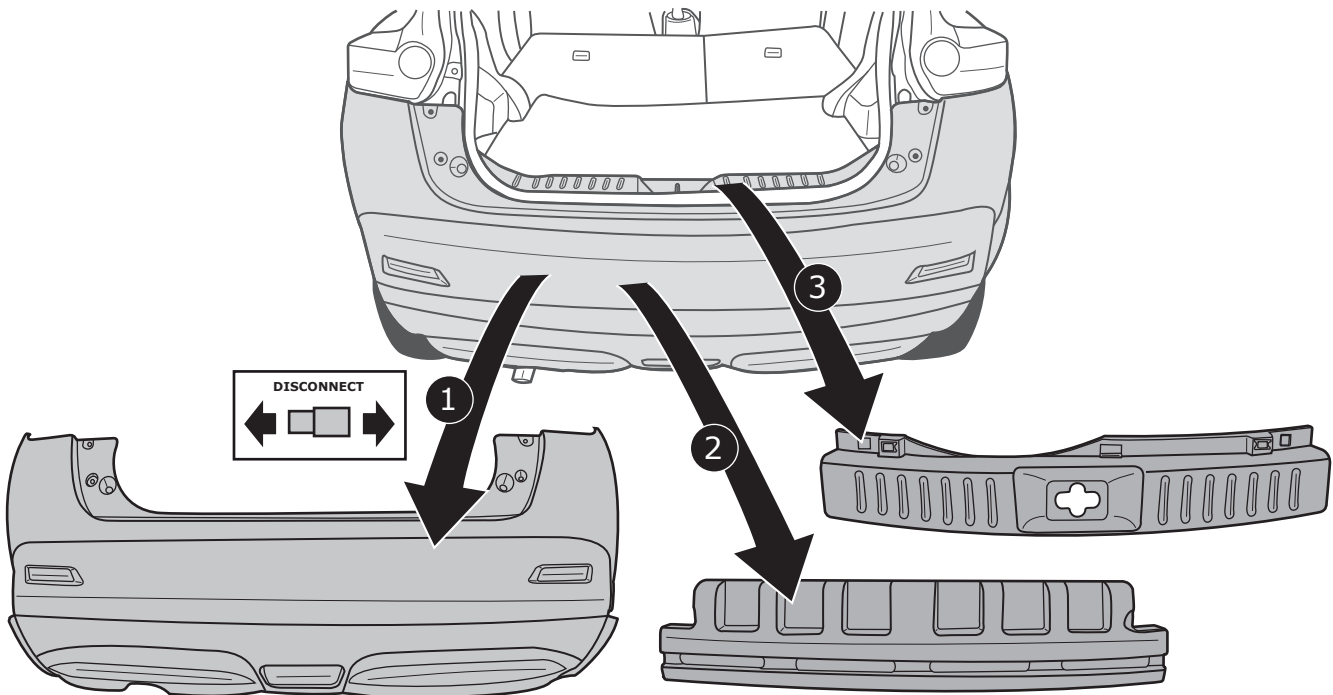
2



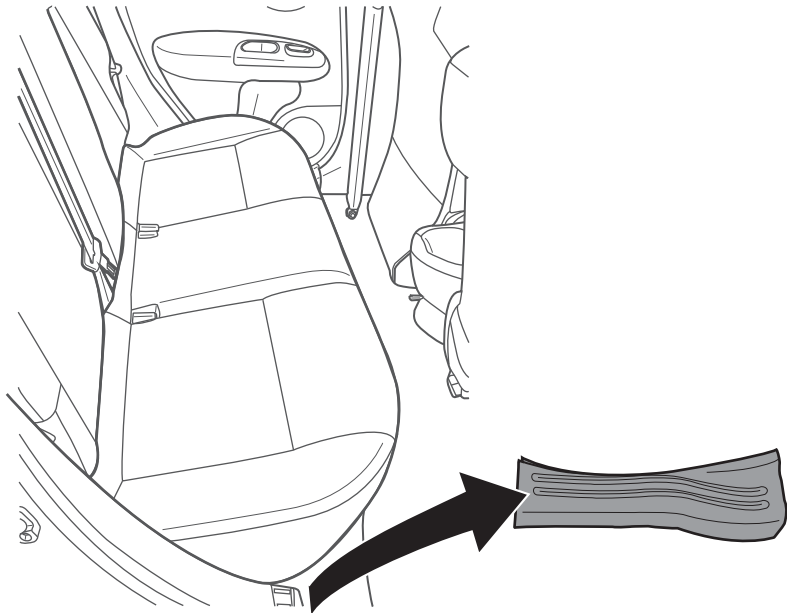
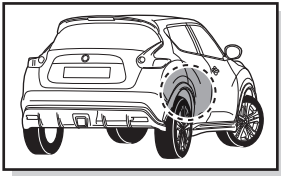
3



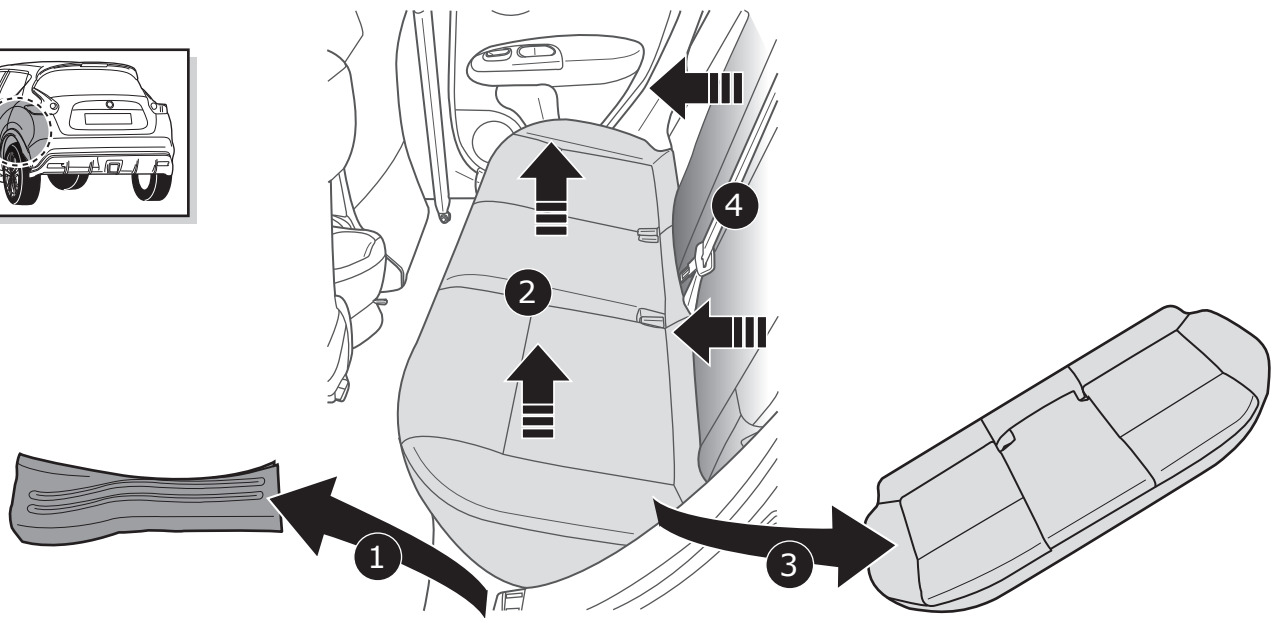
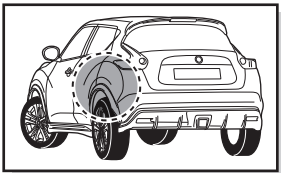
4



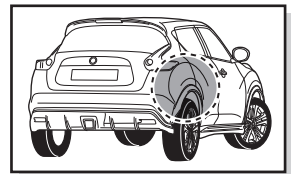
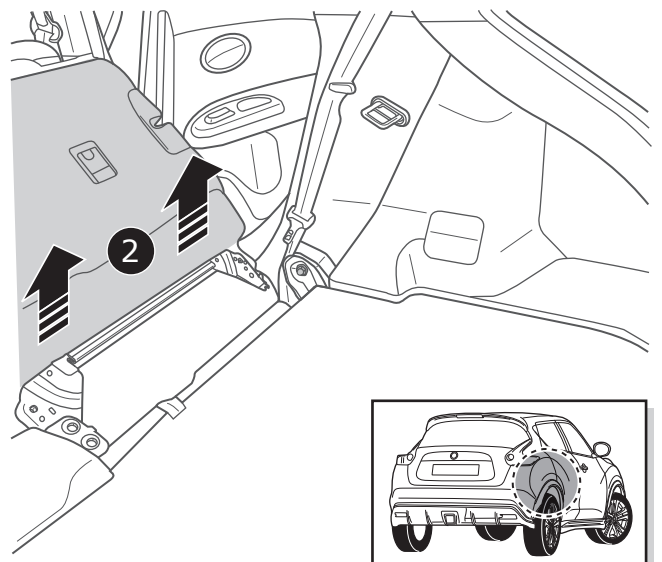
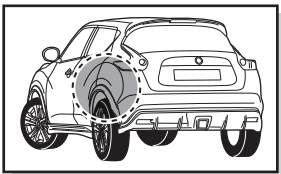
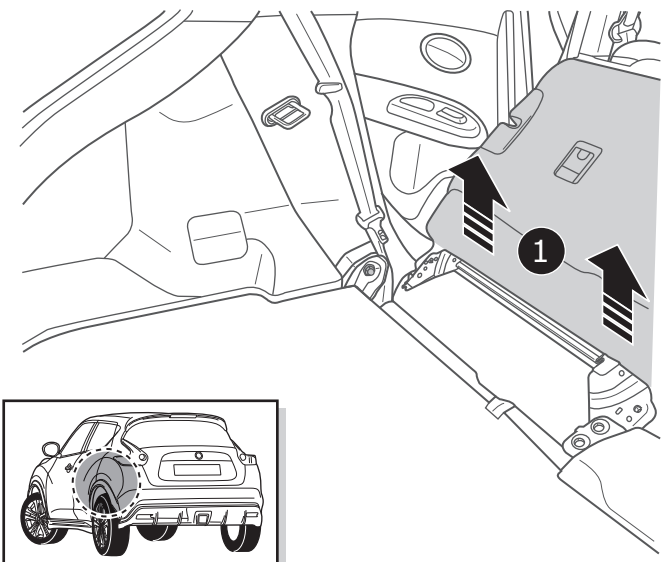
5



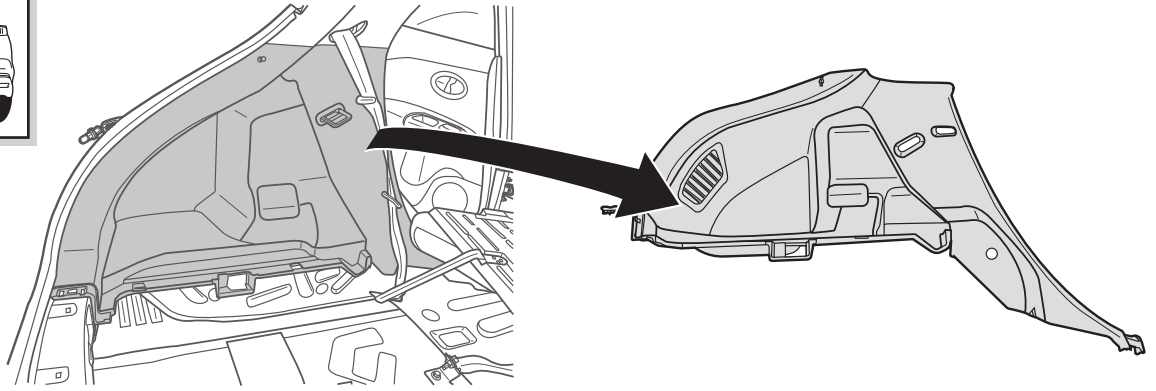
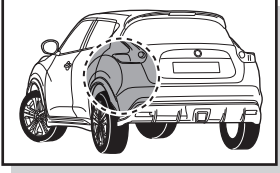
6



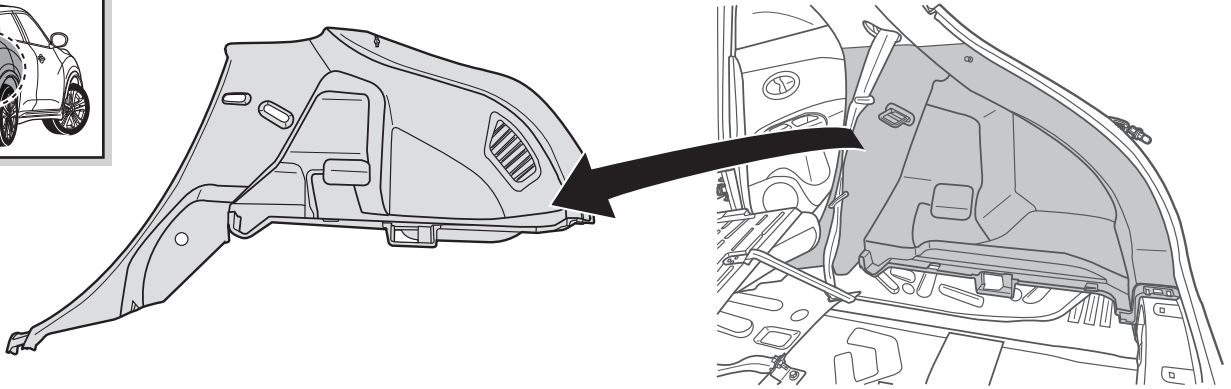
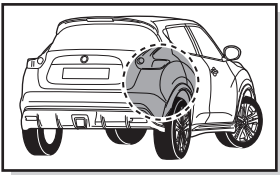
7



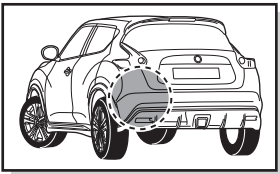
8



9

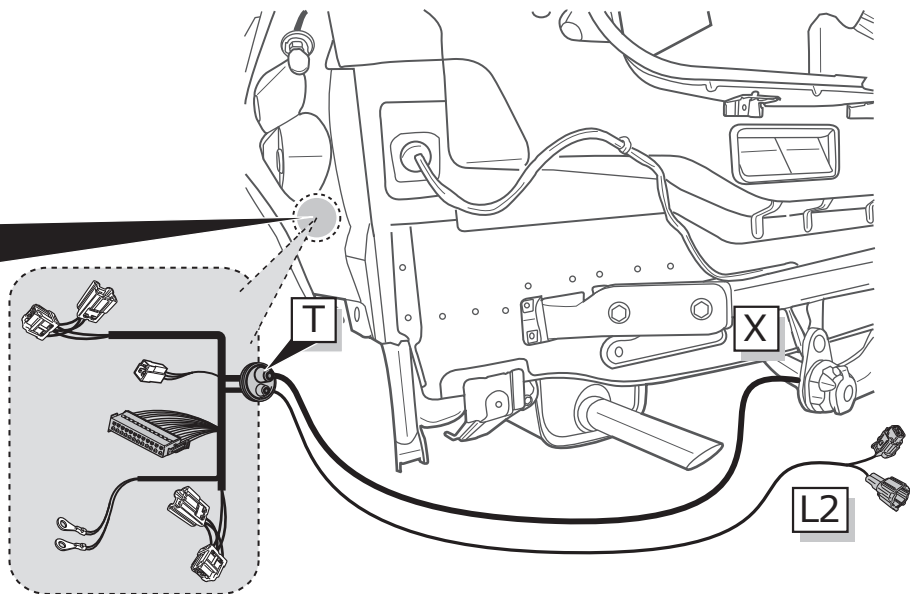


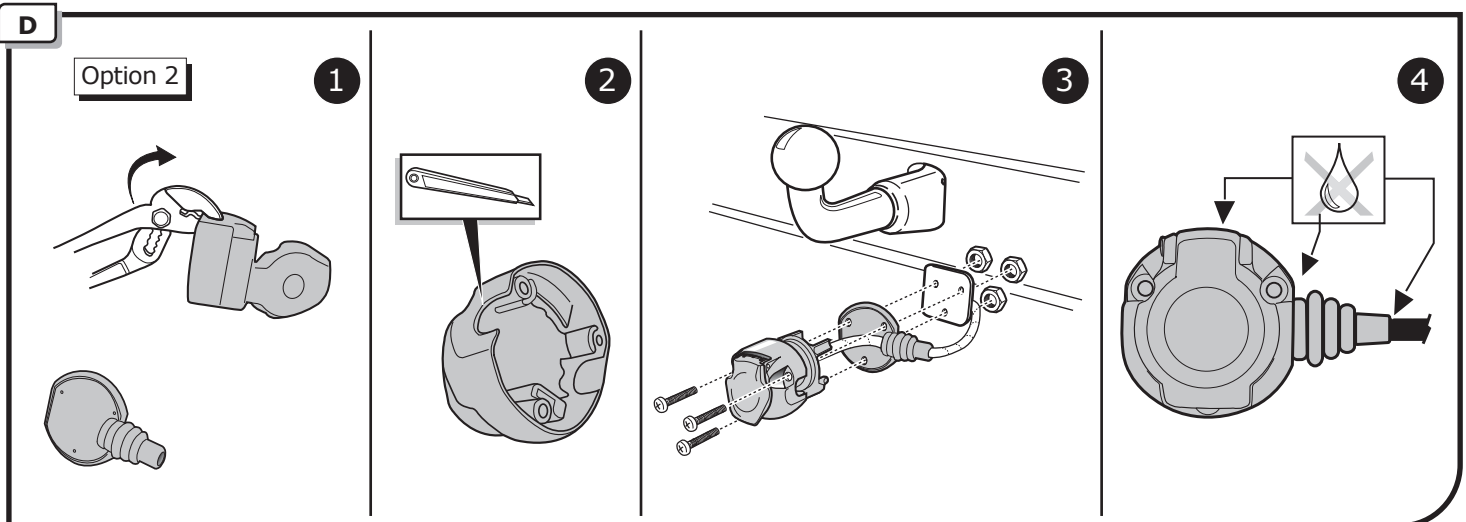
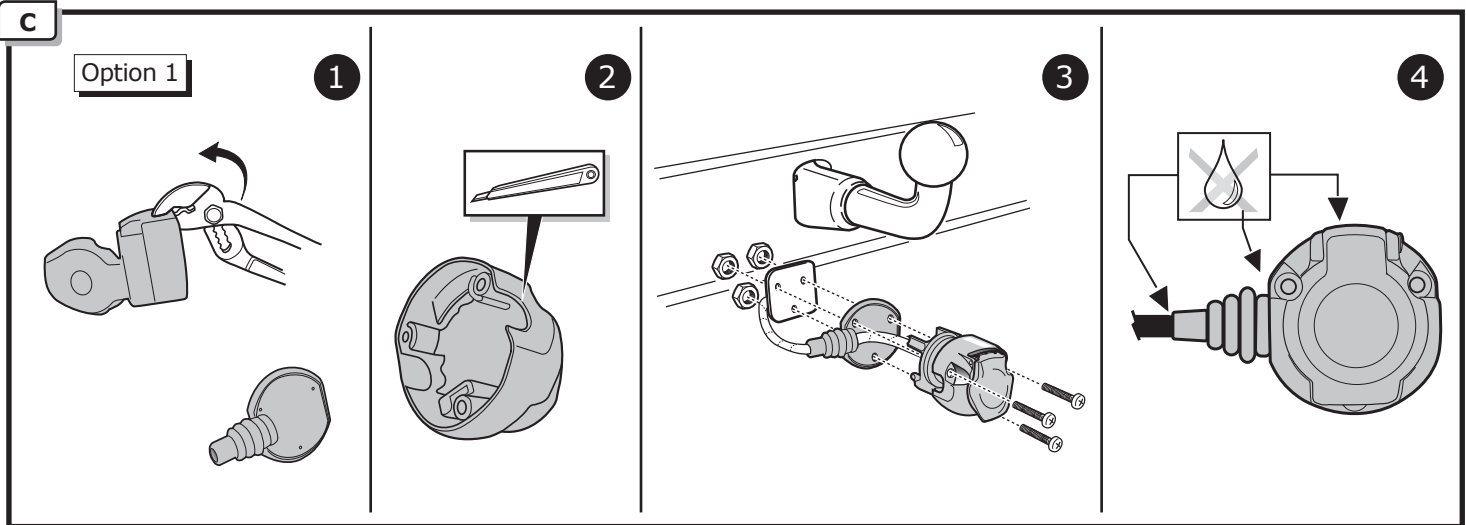
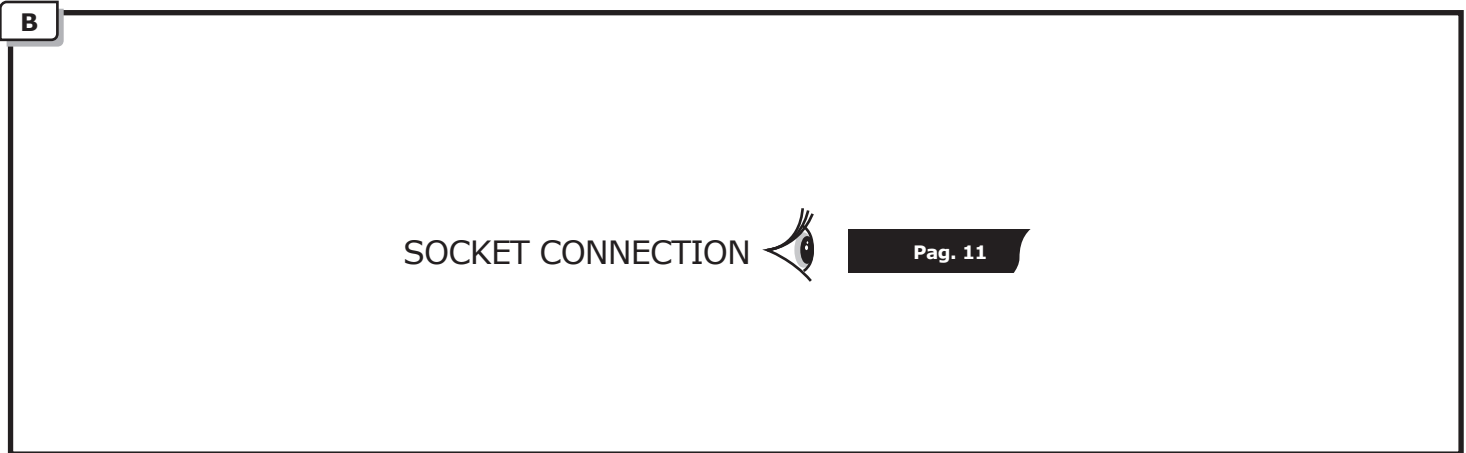
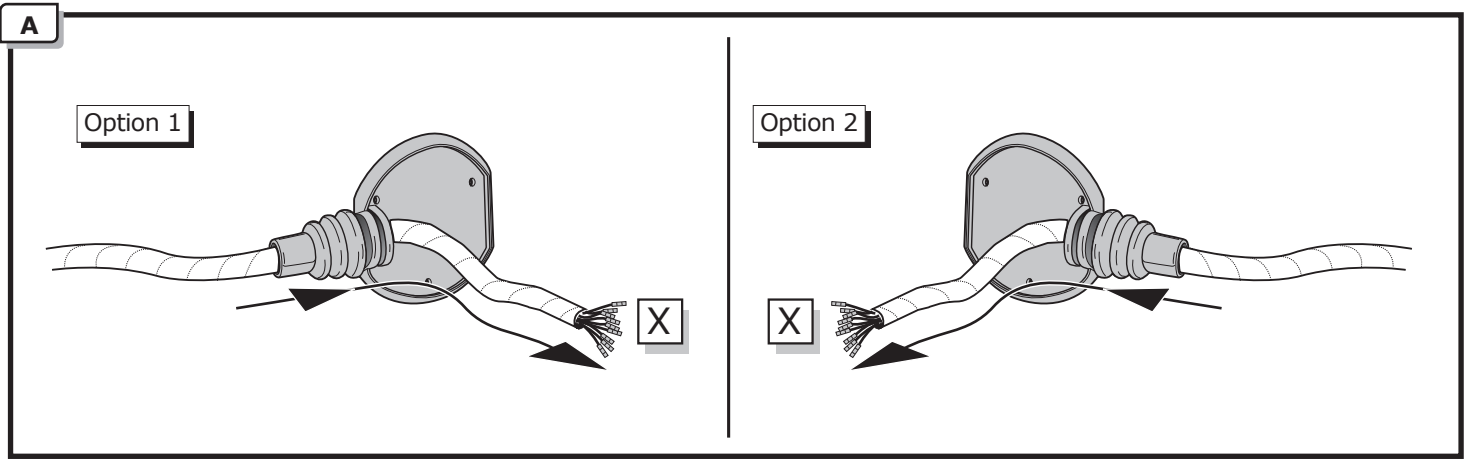
10



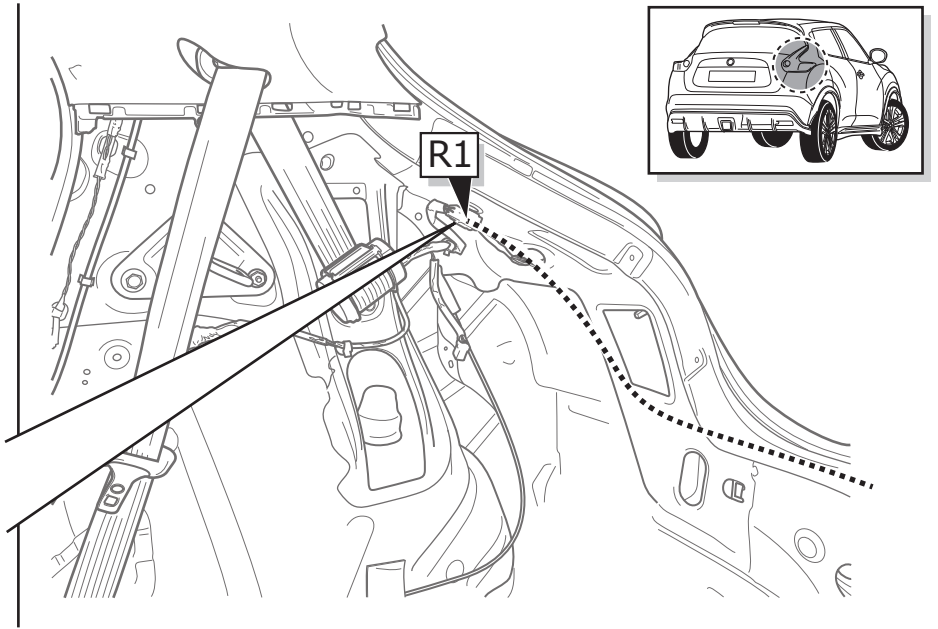
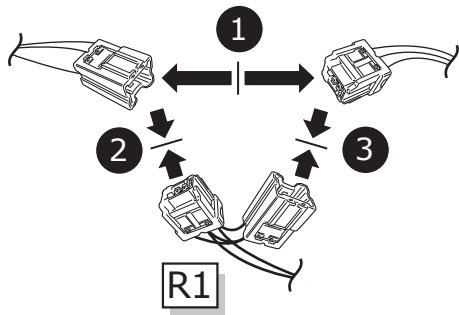
Template
Pag. 13

1 	2
	3

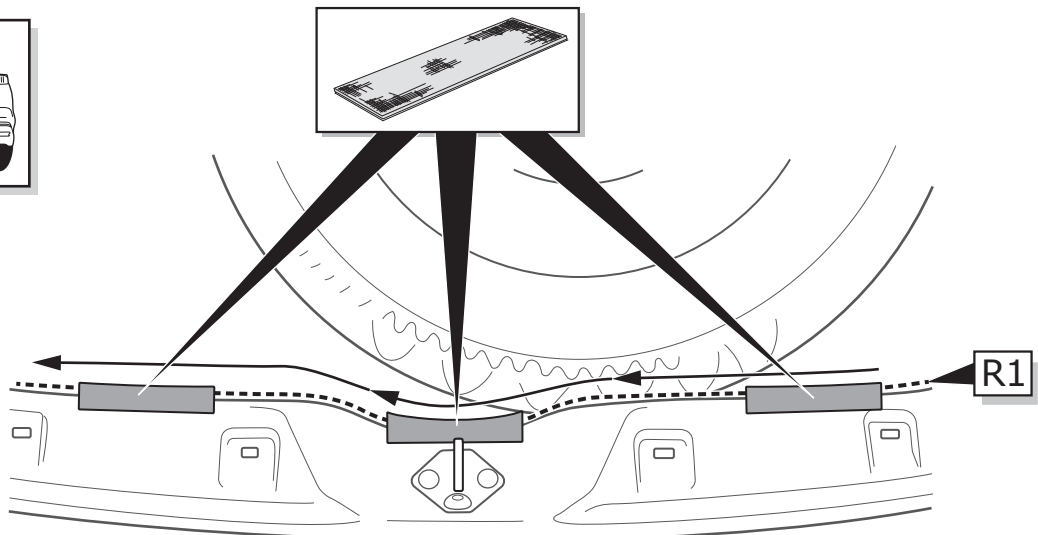
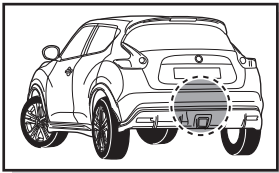




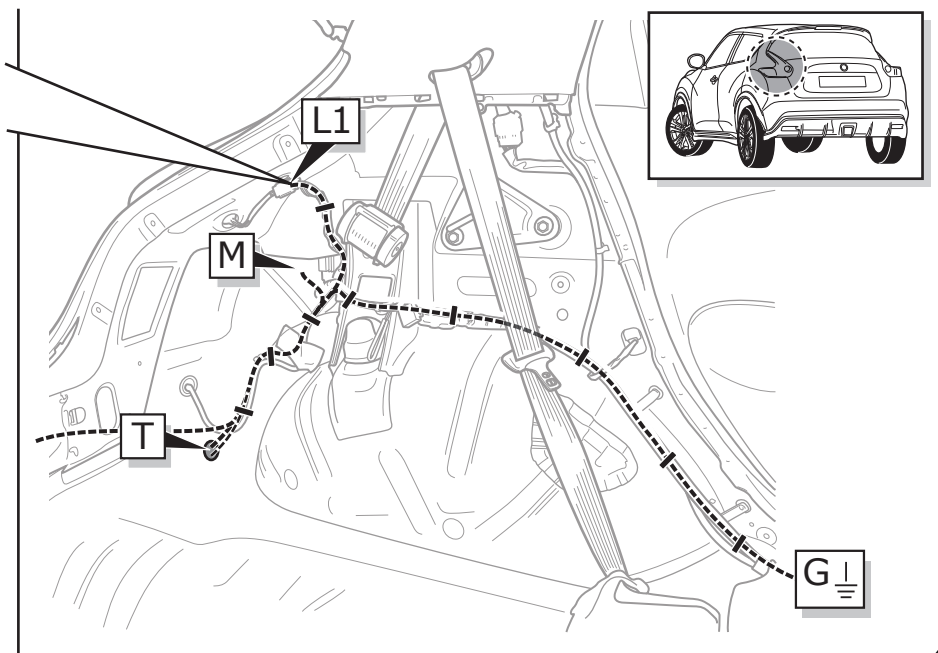
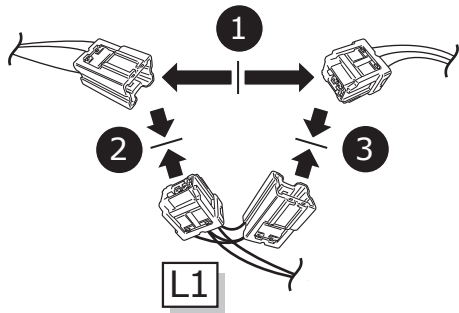
11



12



13



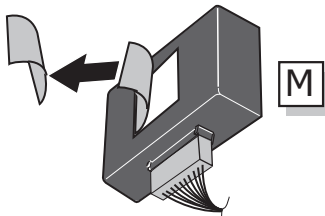
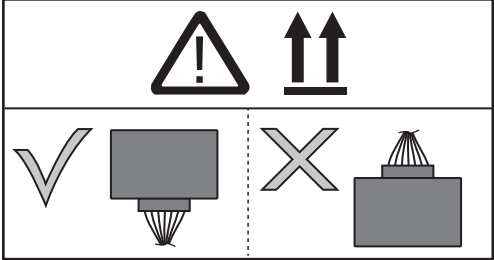
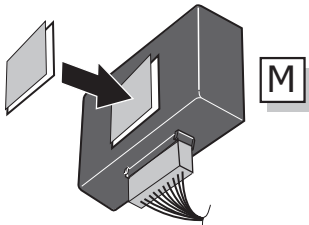
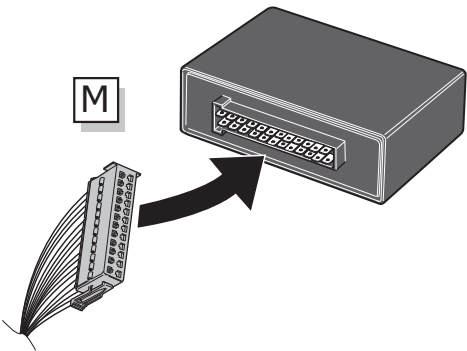
14

1

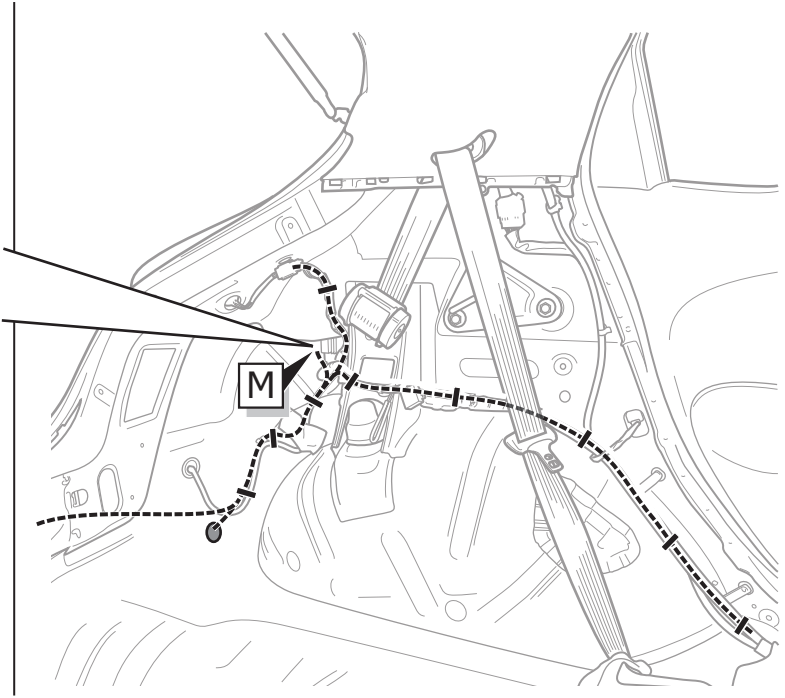
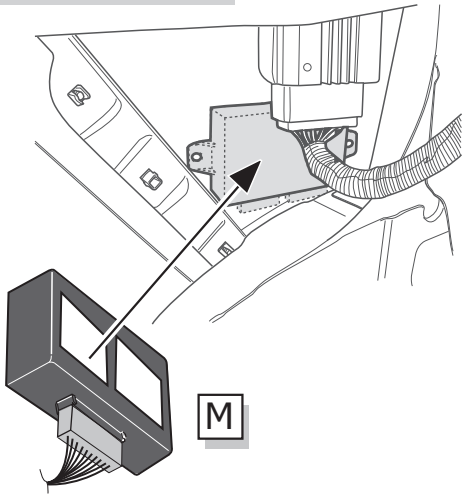
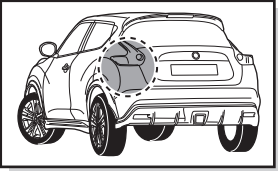
2

3

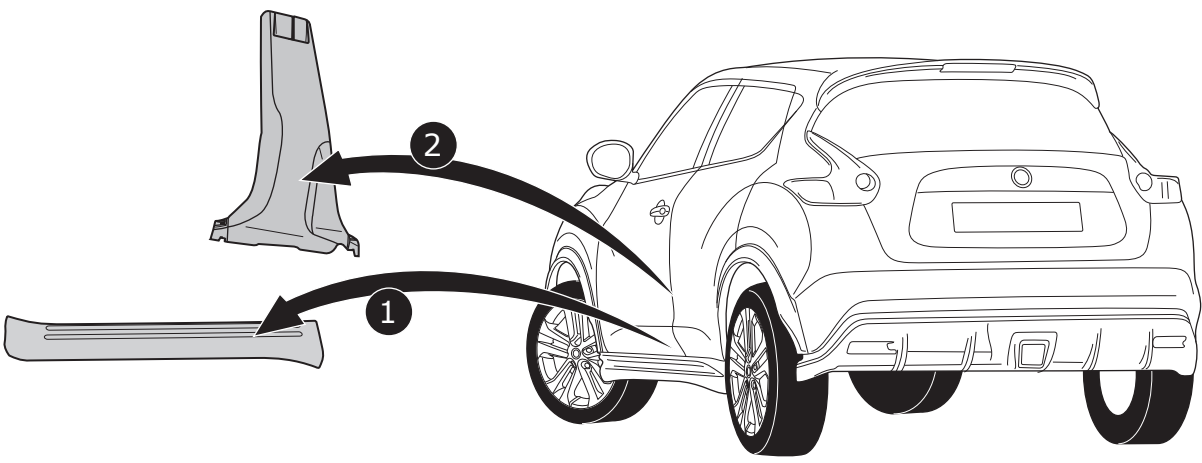
4



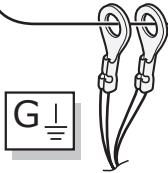
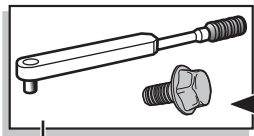
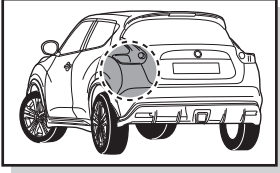
15



16

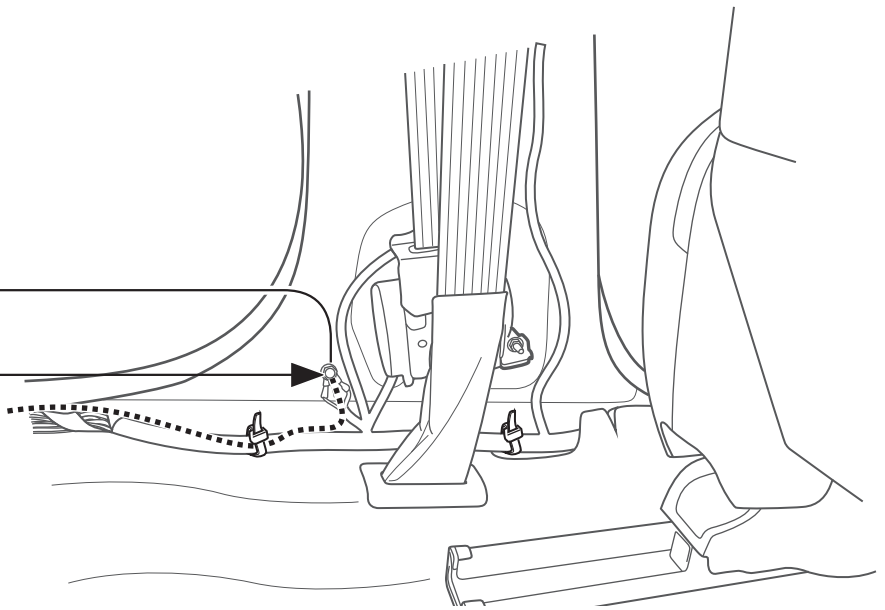


17

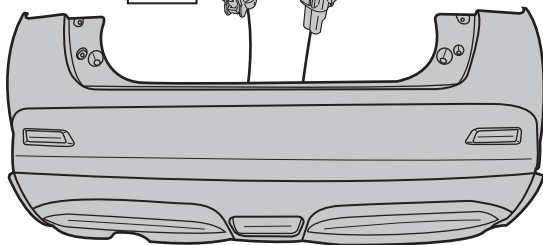
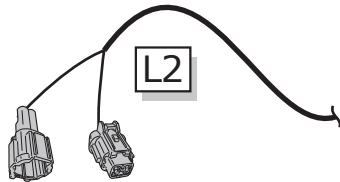
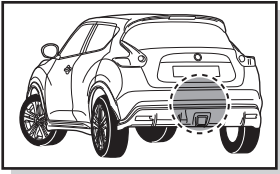


1

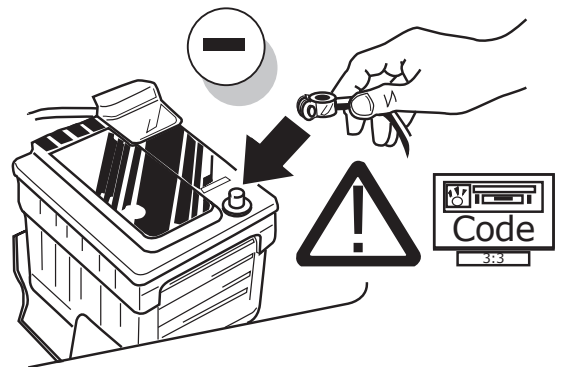
2



18



19



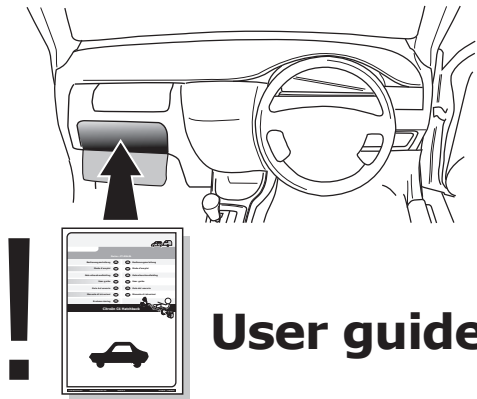
20

! TEST ALL THE CIRCUITS WITH A TEST DEVICE WITH THE CORRECT POWER LOAD FOR EACH FUNCTION. A TEST DEVICE WITH LED'S CANNOT BE USED FOR THIS PURPOSE.

INFO

REINSTALL TRIM.

21



INFO

SOCKET CONNECTION

DIN/ISO 11446													
	1/L	2	3/31	4/R	5/58-R	6/54	7/58-L	8	9	10	11	12	13
Pmax	21W	21W		21W	42W	4x21W	42W	21W	180W/15Amp	180W/15Amp			
Colour	Yellow	Blue	White	Green	Brown	Red 1,00 mm ²	Black	Black/ Red	Brown/ White	Red 2,50 mm ²	White	-	White

