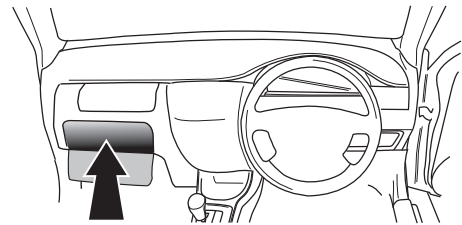


**! INFO !**

Do not charge the battery of the towing vehicle and/or towed vehicle directly via the socket.



**User guide**



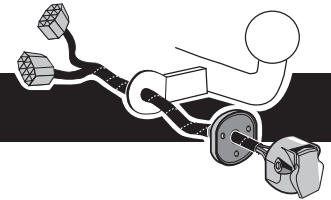
**SPARE PARTS**

**[www.ecs-electronicsuk.co.uk](http://www.ecs-electronicsuk.co.uk)**



Partnr.: OP-052-B1U

**User Guide**

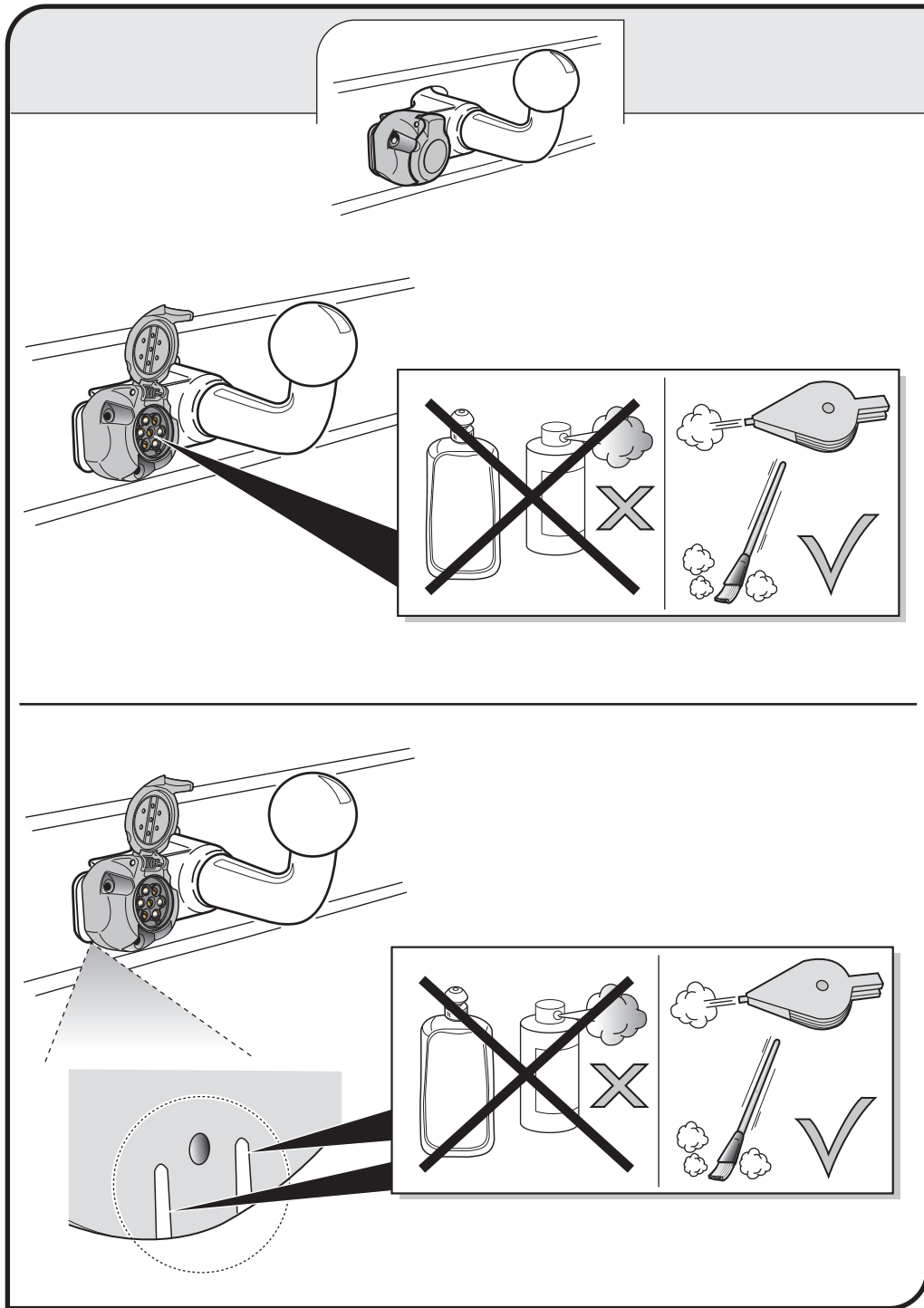


**OPEL**

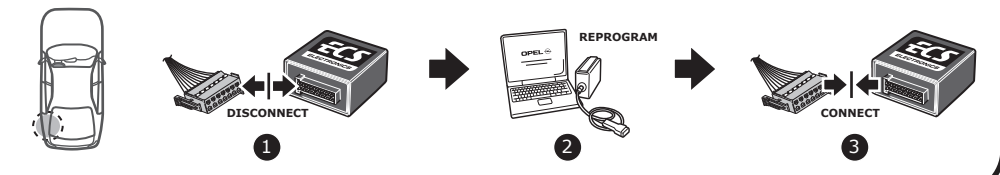
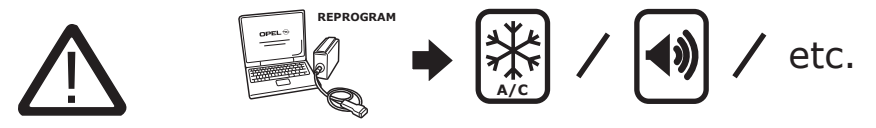
Insignia Sedan F69 11/2008-  
Insignia Hatchback F68 11/2008-  
Insignia Sports Tourer F35 11/2008-

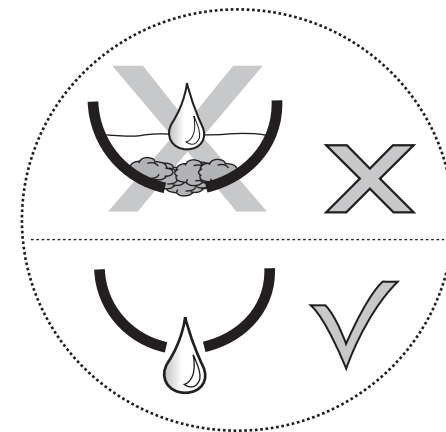
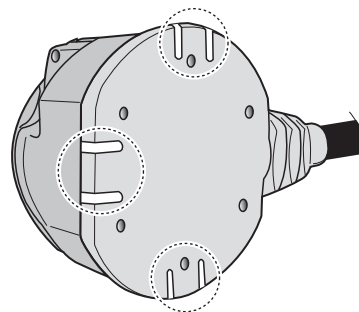
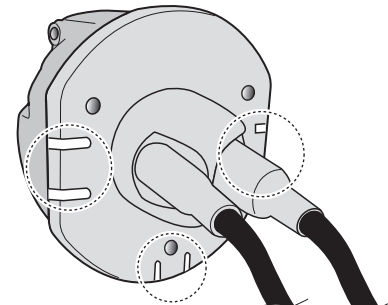
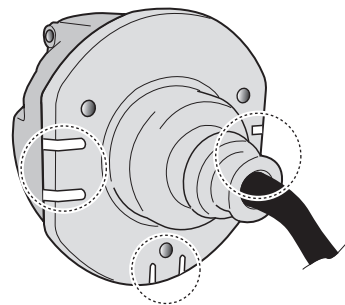
**CHEVROLET**

Aveo HB MY 2012-  
Aveo SDN MY 2012-  
Cruze HB MY 2012-  
Cruze NB MY 2010-  
Cruze SW MY 2013-



INFO



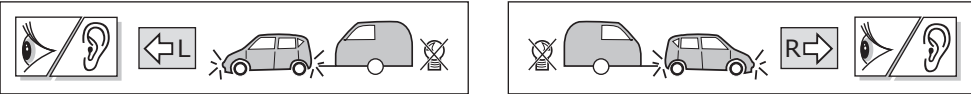


## SOCKET CONNECTION

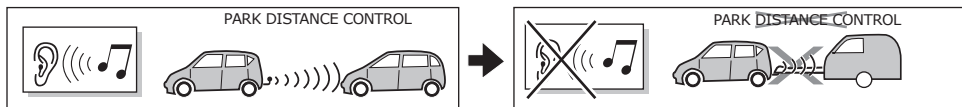
DIN/ISO 1724							
	1/L	2	3/31	4/R	5/58-R	6/54	7/58-L
Pmax	21W	21W		21W	42W	3x21W	42W
Colour	Yellow	Blue	White	Green	Brown	Red	Black



In a coupled trailer with working fog lamp, the fog lamp of the vehicle will be switched off, if applicable.

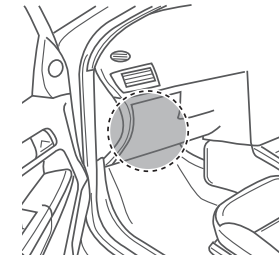


7-pole wiring-harness kit with a C2 telltale.  
A defective indicator light of the car or/and caravan/trailer is stated by a quicker flashing of the other indicator light (Following the European directive 76/756/EEC § 4.5 and StVZO § 54). The functioning of the C2- telltale can be tested by connecting the trailer/caravan (or a test-box) and switching on the indicator lights with a removed indicator light. The other indicator lights will flash quicker. (ATTENTION: a test-box on which only LED's are being used, can not be used in this case).

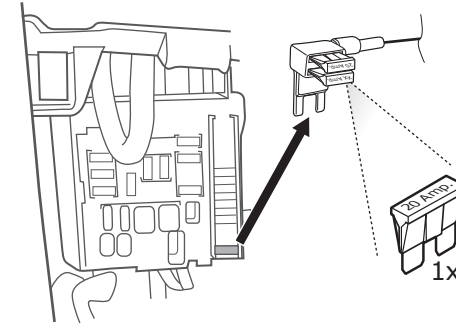


The wiring kit has a possibility to switch off any Park Distance Control in the case of a coupled trailer.

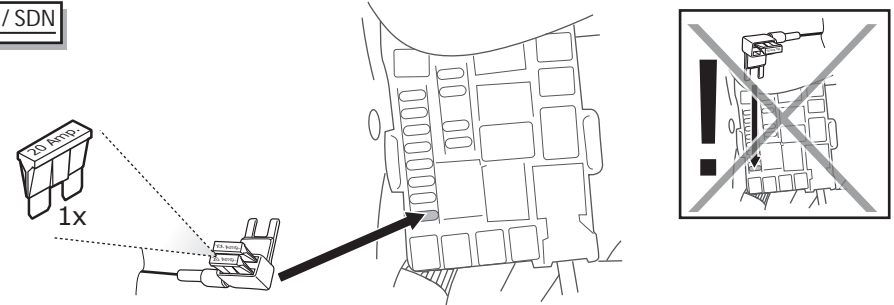
## CHANGING THE FUSE



Insignia SD / HB / ST



Aveo HB / SDN



Cruze HB / NB / SW

