

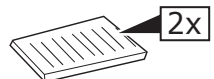
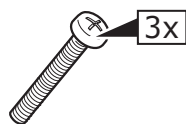
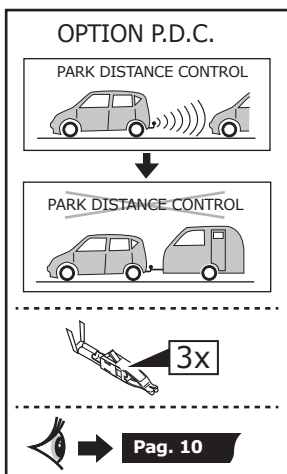
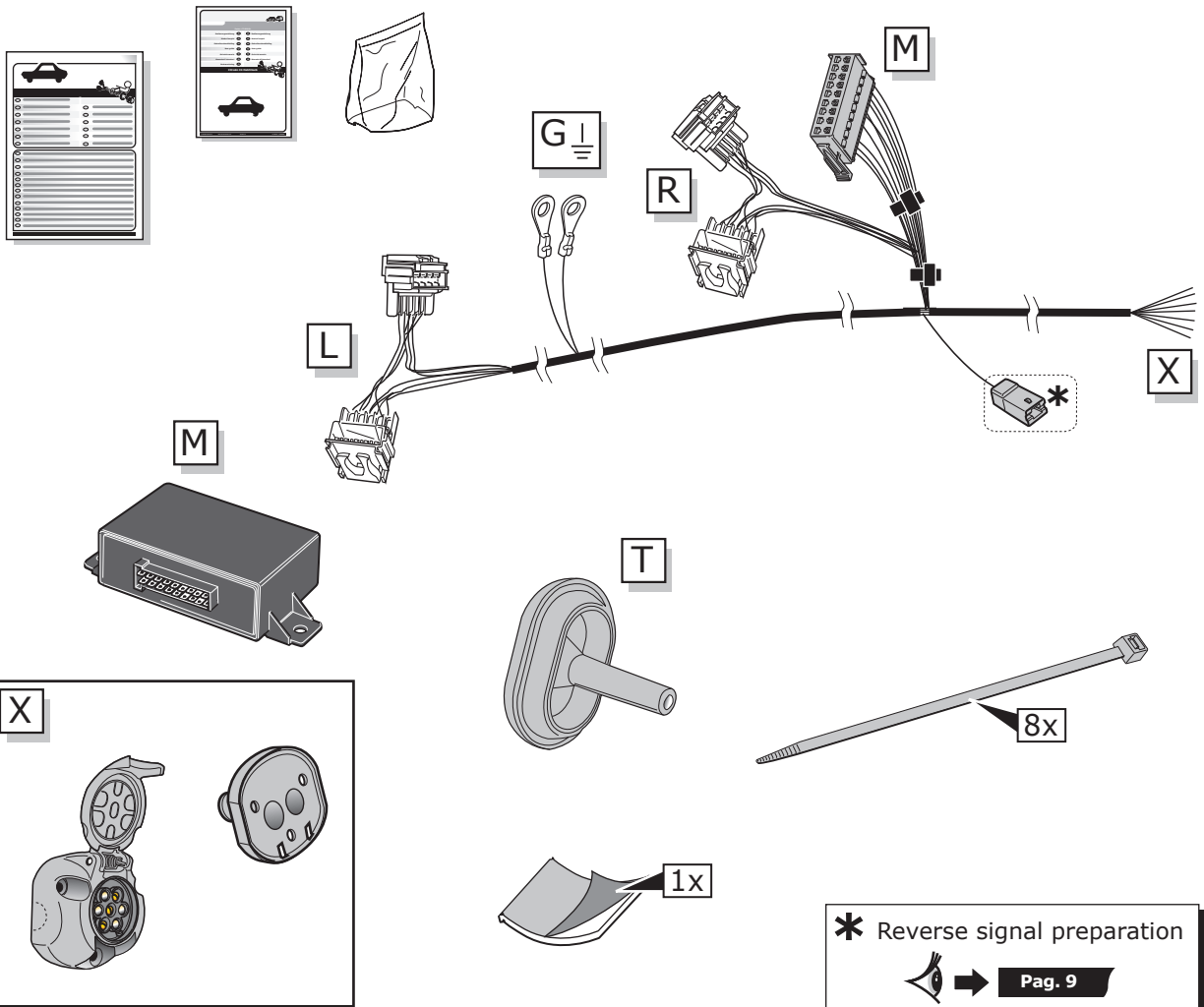
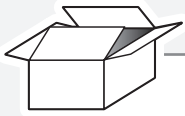
**Renault Scenic 9/2003-  
Renault Grand Scenic spring 2004-**

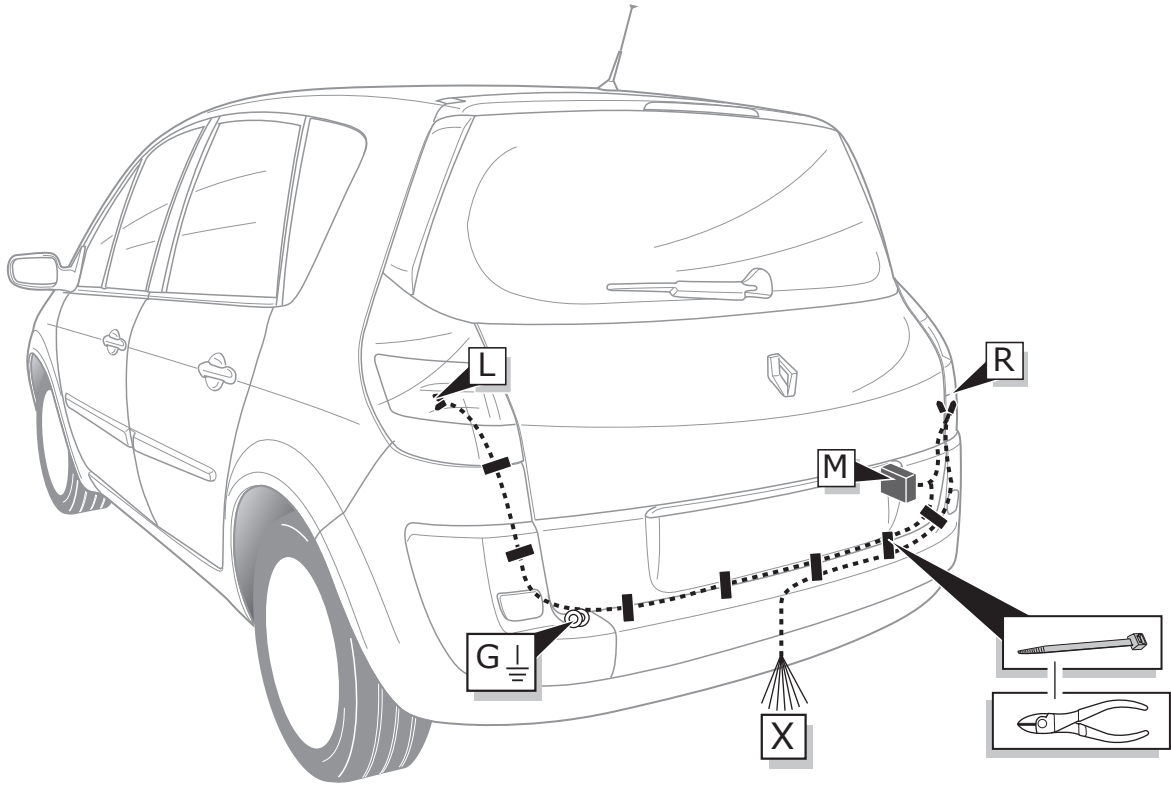
Partnr.: RN-044-BEU

- Fitting instructions electric wiring kit tow bar with 12-N socket up to DIN/ISO Norm 1724.
- We would expressly point out that assembly not carried out properly by a competent installer will result in cancellation of any right to damage compensation, in particular those arising by virtue of the product liability act.
- Contents of these kits and their fitting manuals are subject to alteration without notice, please ensure that these instructions are read and fully understood before commencing installation.
- Do not overload circuits; the maximum loads per connection are detailed in this manual.
- Attention! Before Installation, please read this manual carefully and inform your customer to consult the vehicle owners manual to check for any vehicle modifications required before towing.
- In the event of functional problems, troubleshooting must be limited to about 0.5 hours, contact the technical support:  
t.skinner@ecs-electronics.com / 07440 202 052.

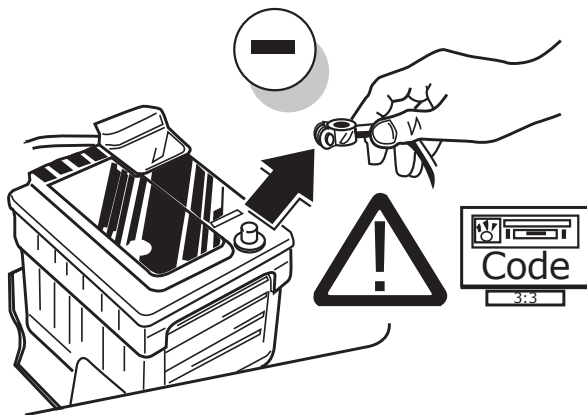


# Part list

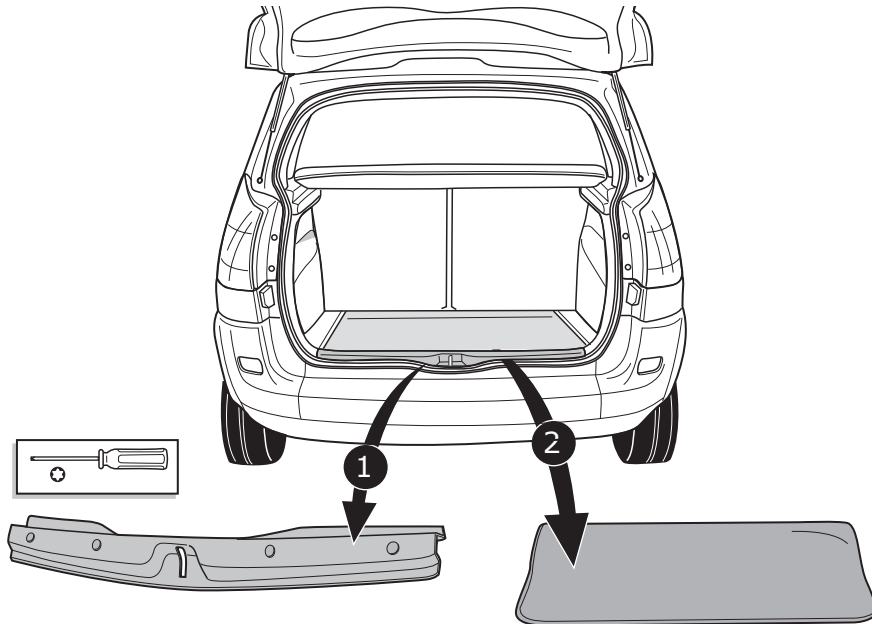




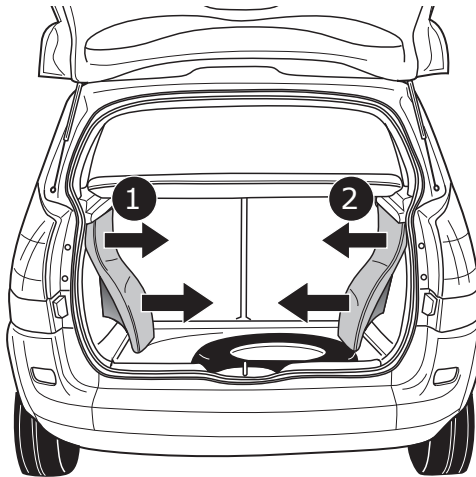
1



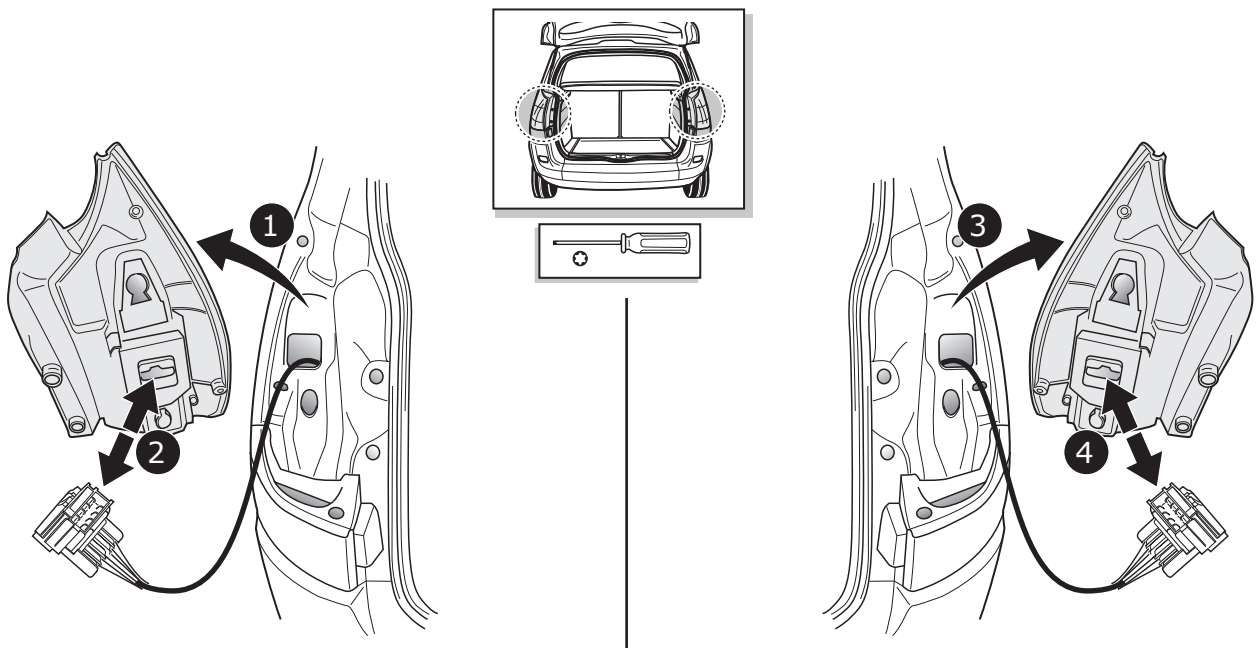
2



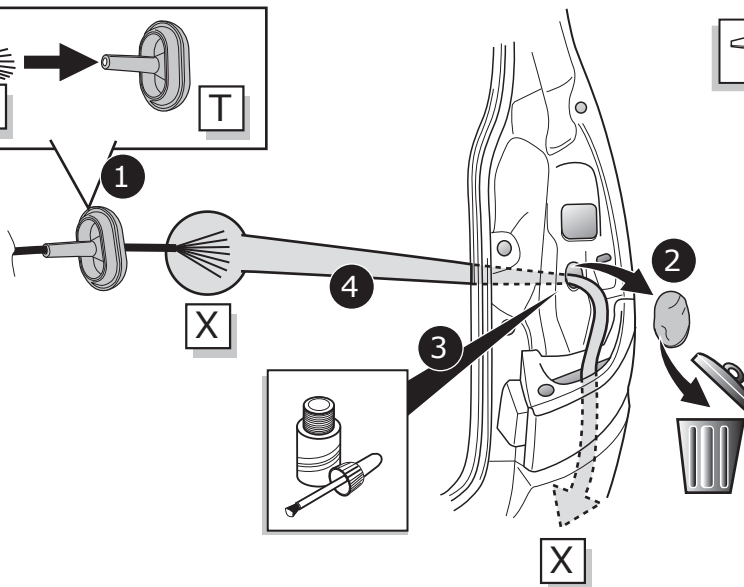
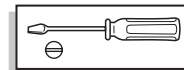
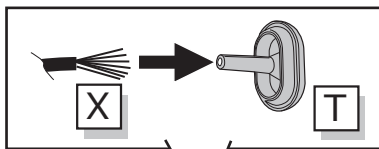
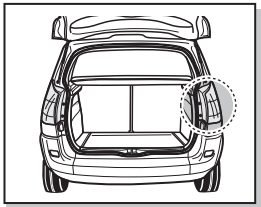
3



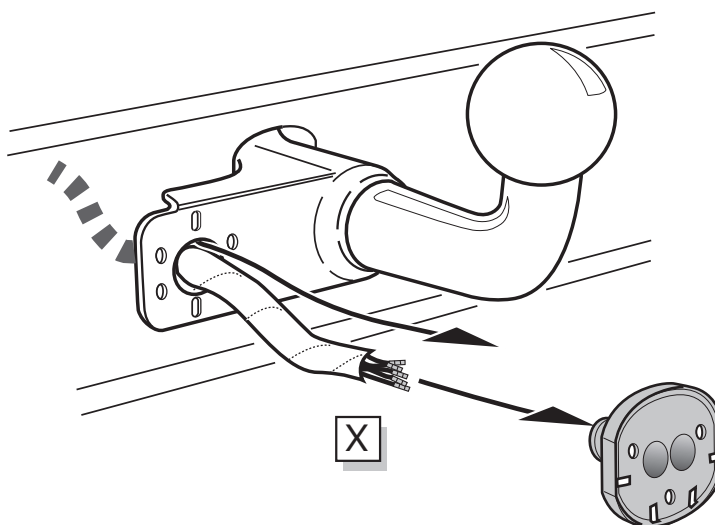
4



5



A



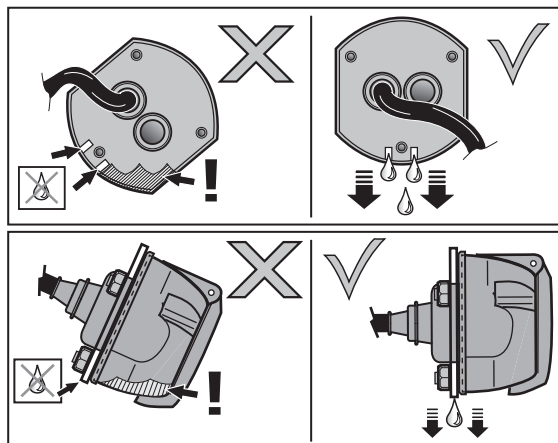
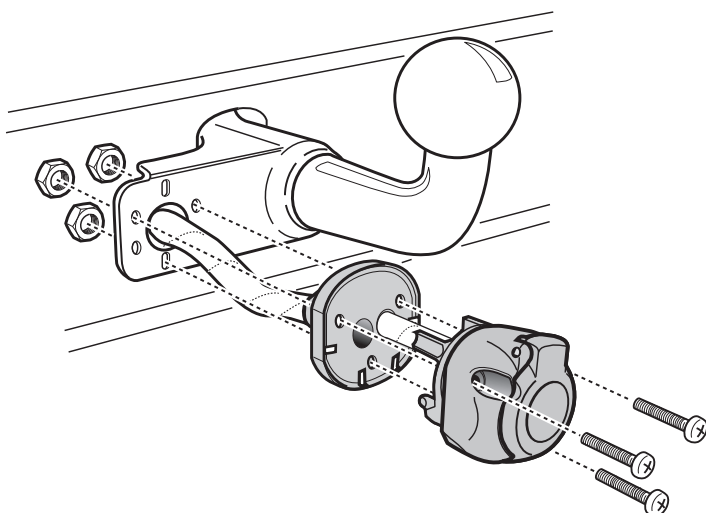
B

SOCKET CONNECTION

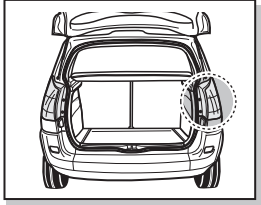


Pag. 8

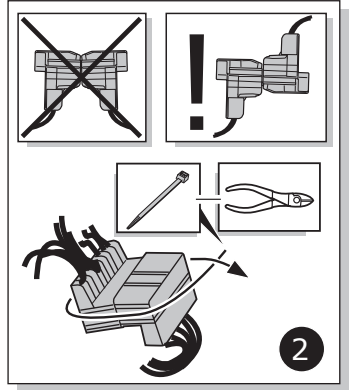
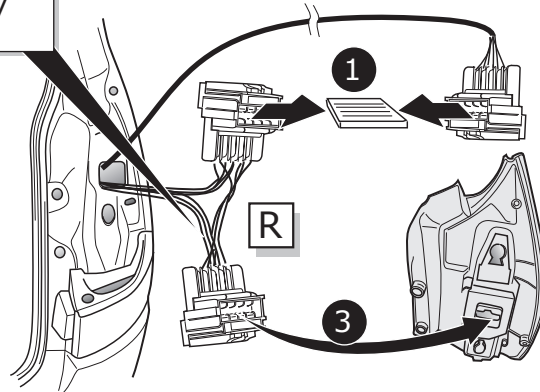
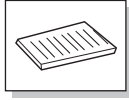
C



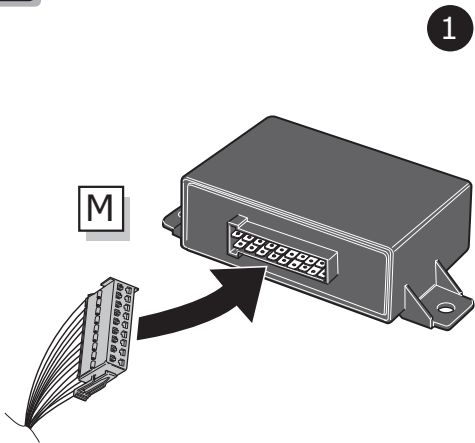
6



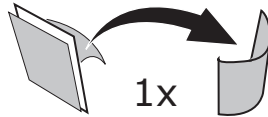
Grey



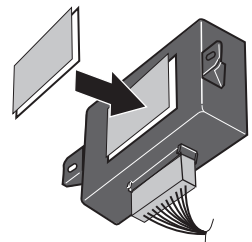
7



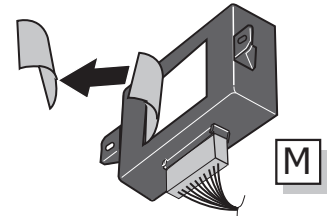
1



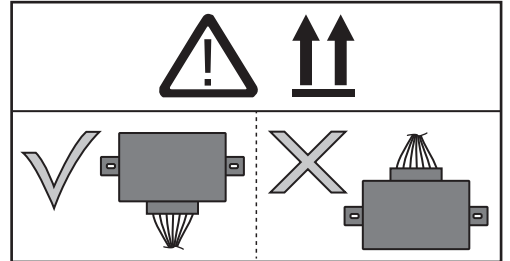
2



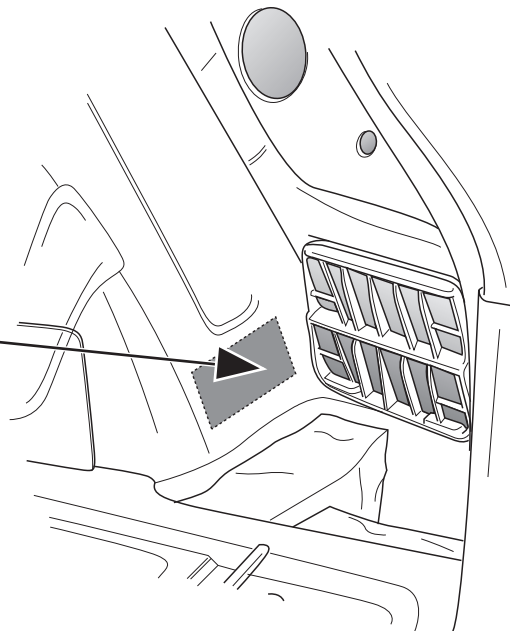
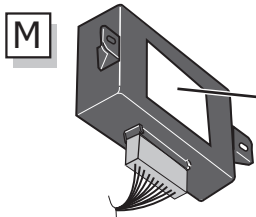
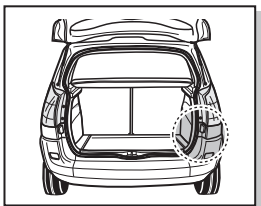
3



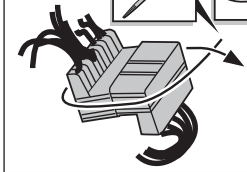
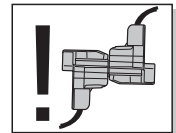
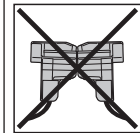
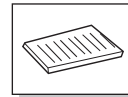
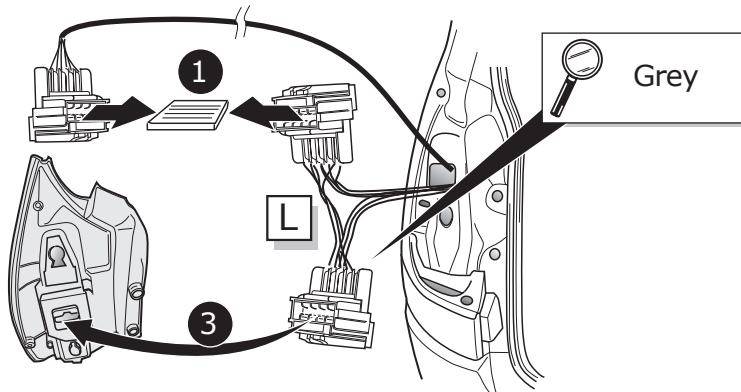
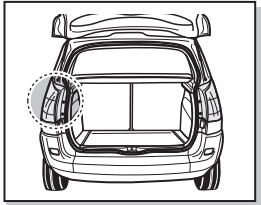
4



8

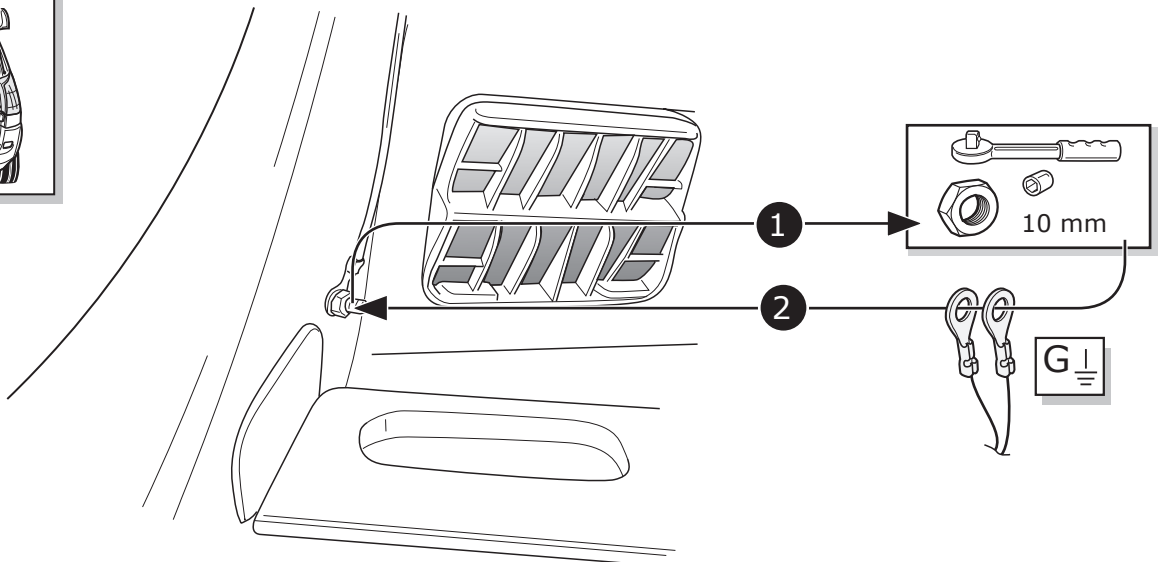
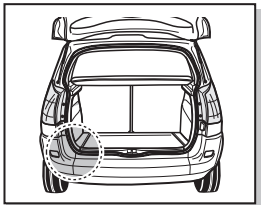


9

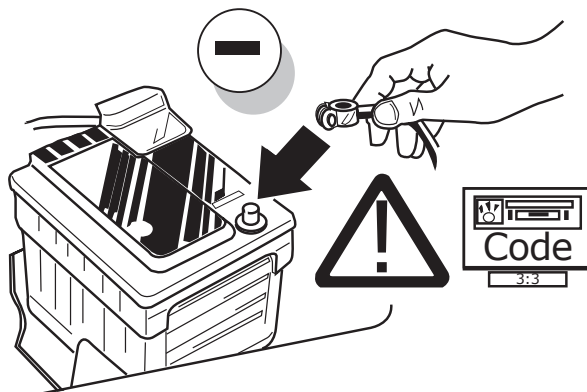


2

10



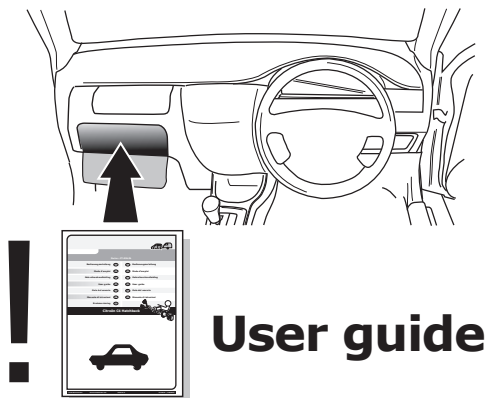
11



TEST ALL THE CIRCUITS WITH A TEST DEVICE WITH THE CORRECT POWER LOAD FOR EACH FUNCTION. A TEST DEVICE WITH LED'S CANNOT BE USED FOR THIS PURPOSE.

## INFO

REINSTALL TRIM.



## INFO

## SOCKET CONNECTION

DIN/ISO 1724							
	1/L	2	3/31	4/R	5/58-R	6/54	7/58-L
Pmax	21W	2x21W		21W	52W	3x21W	52W
Colour	Yellow	Blue	White	Green	Brown	Red	Black

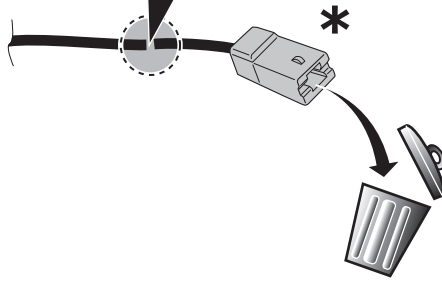
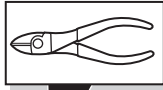


# Reverse signal preparation

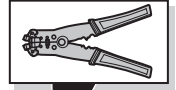
A



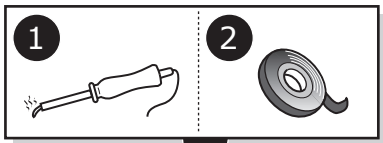
1



2



B



⚠ MAX = 21W



