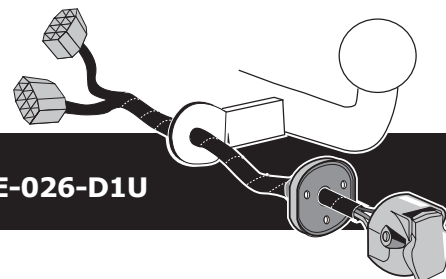


**SEAT Ibiza 2008- 3drs /
SEAT Ibiza 2008- 5drs /
SEAT Ibiza 06/2010- ST**

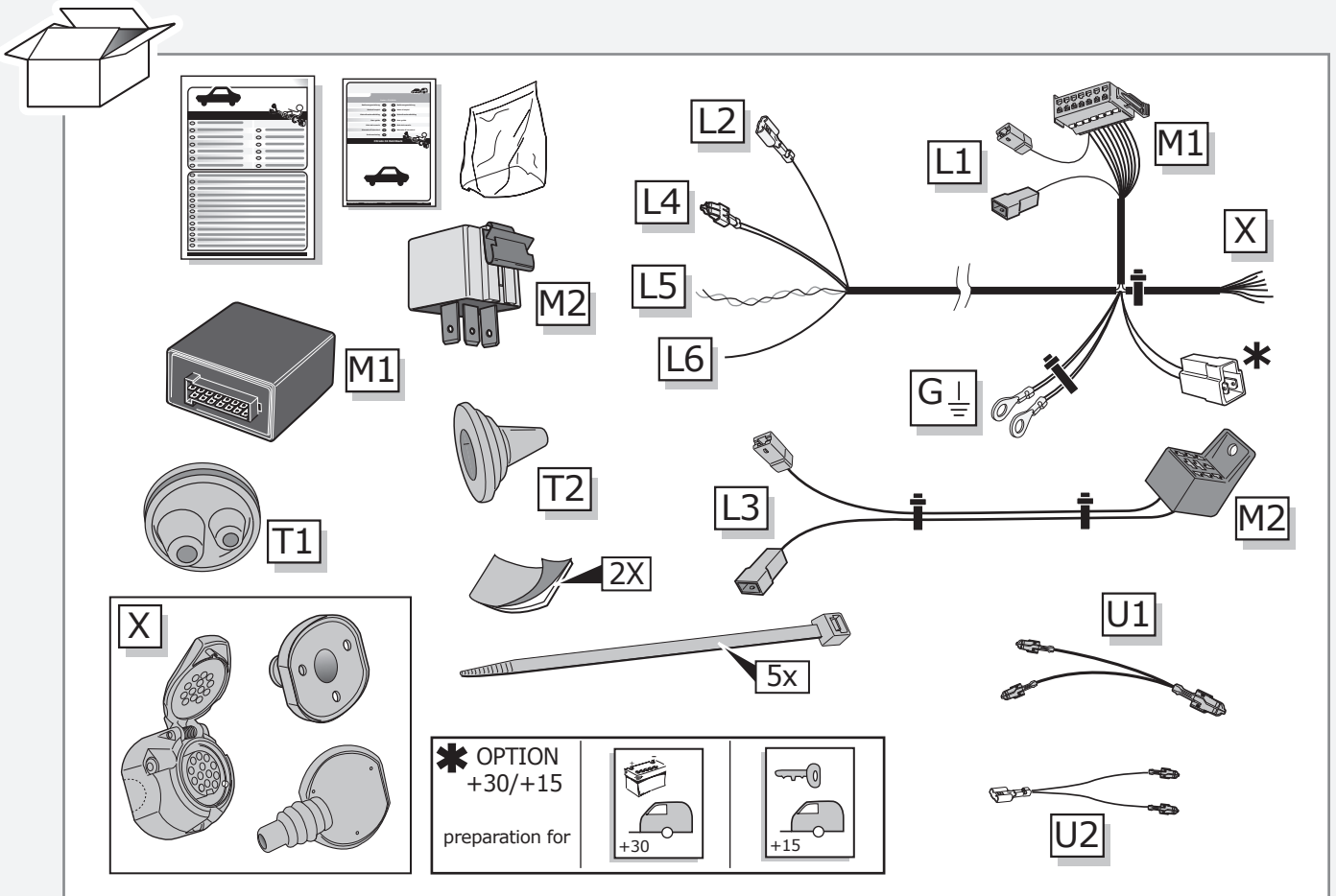


Partnr.: SE-026-D1U

- Fitting instructions electric wiring kit tow bar with 13-P socket up to DIN/ISO Norm 11446.
- We would expressly point out that assembly not carried out properly by a competent installer will result in cancellation of any right to damage compensation, in particular those arising by virtue of the product liability act.
- Contents of these kits and their fitting manuals are subject to alteration without notice, please ensure that these instructions are read and fully understood before commencing installation.
- Do not overload circuits; the maximum loads per connection are detailed in this manual.
- Attention! Before Installation, please read this manual carefully and inform your customer to consult the vehicle owners manual to check for any vehicle modifications required before towing.
- In the event of functional problems, troubleshooting must be limited to about 0.5 hours, contact the technical support:
t.skinner@ecs-electronics.com / 07440 202 052.

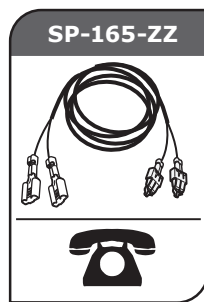


Part list

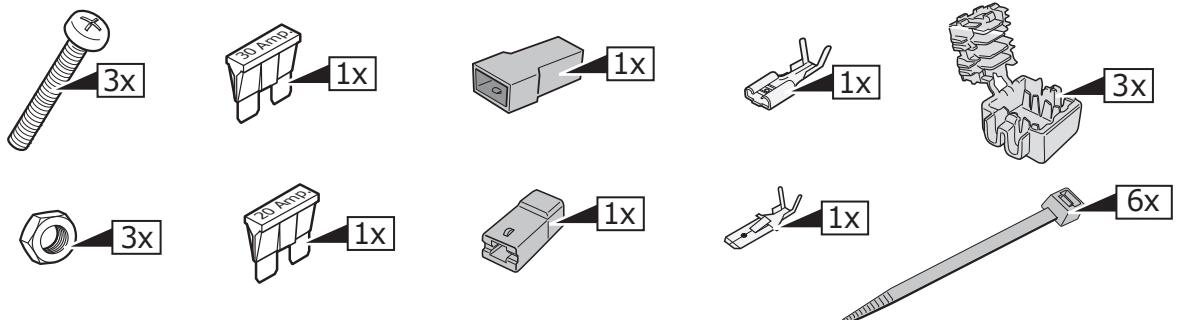


Option *
+30/+15

extension kit

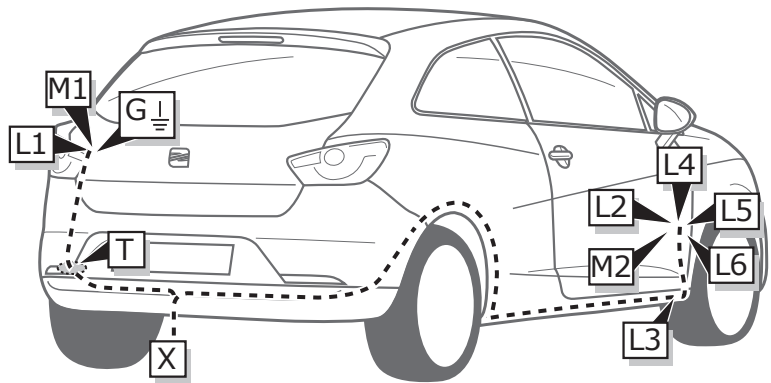


Consult your supplier.

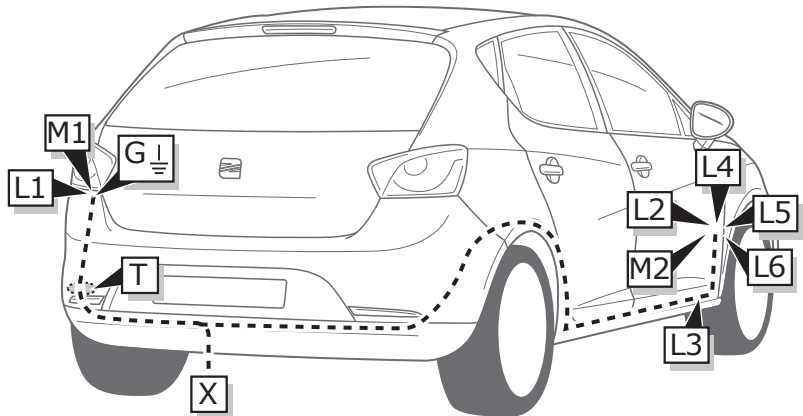


ROUTING

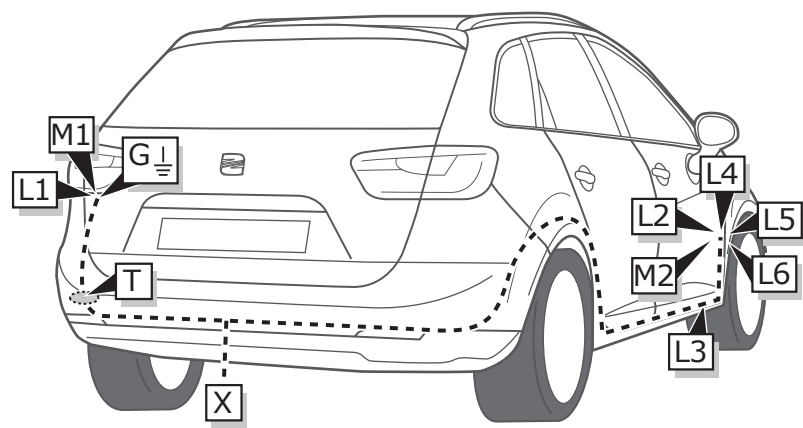
3drs



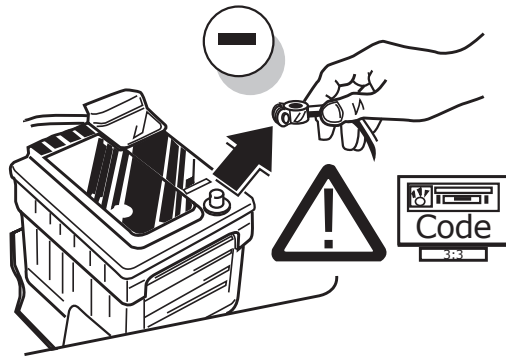
5drs



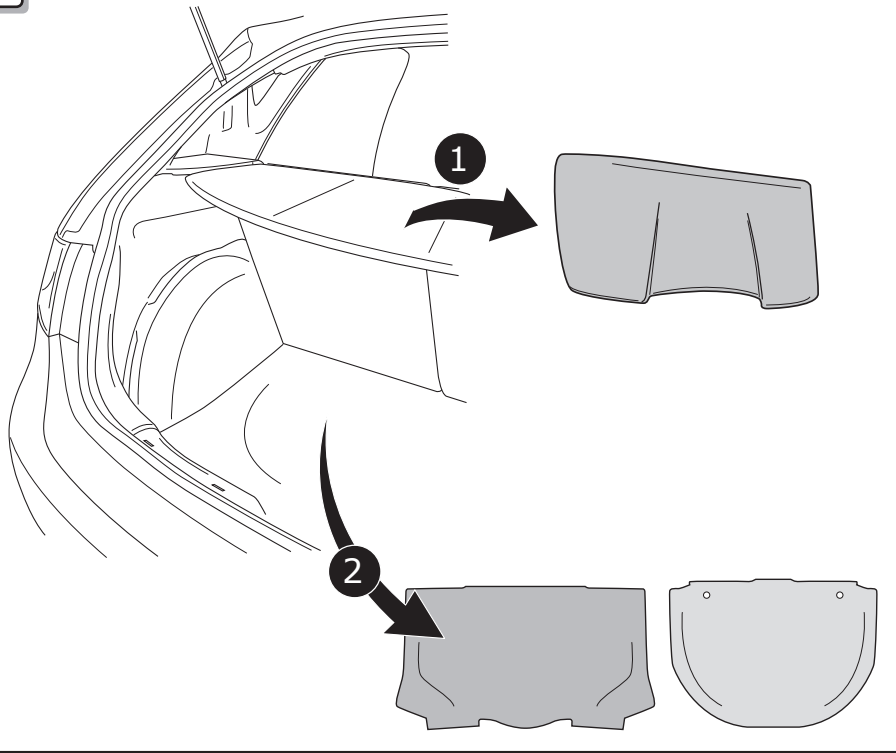
ST



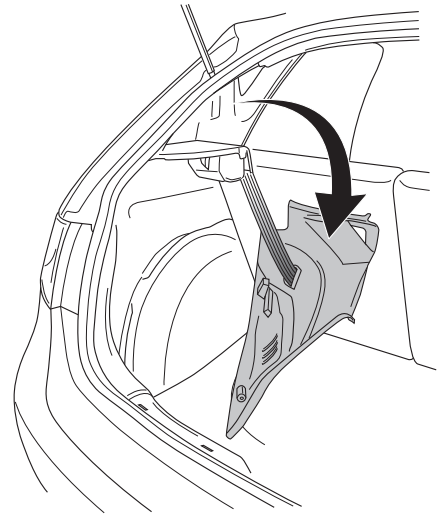
1



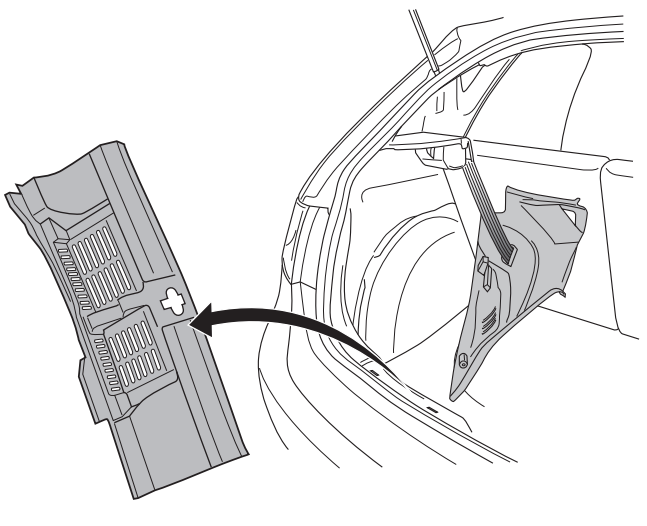
2



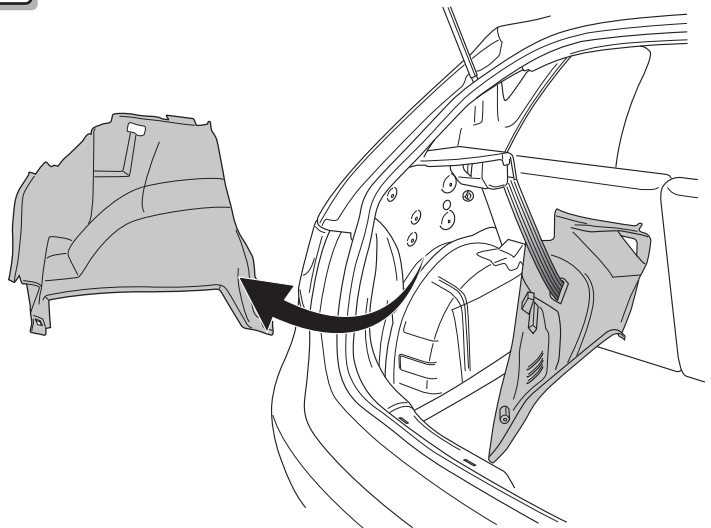
3



4

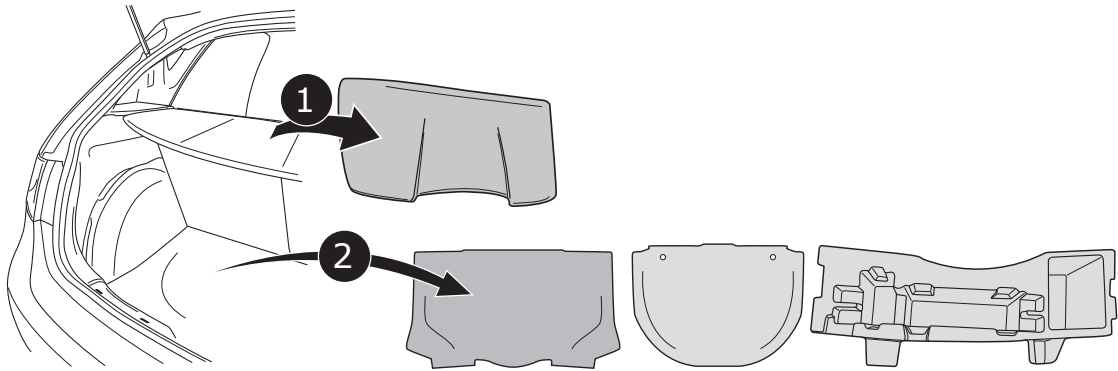


5

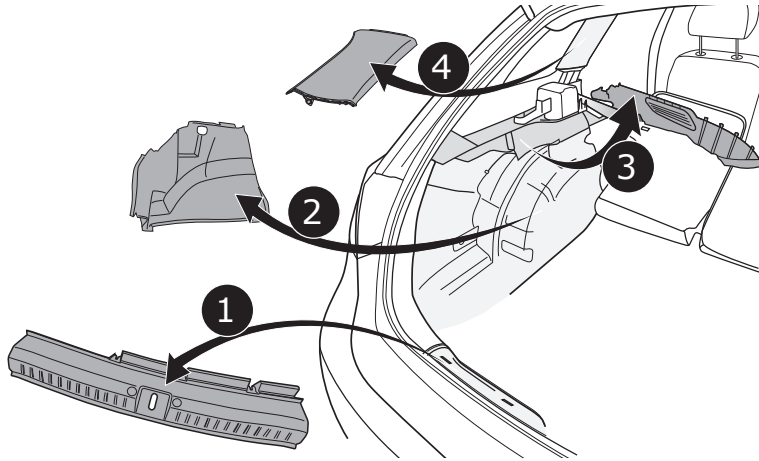


IBIZA ST

6

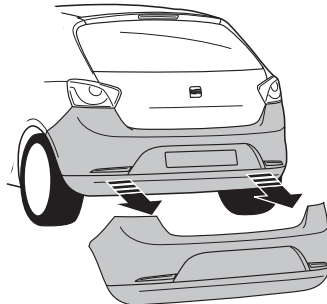


7

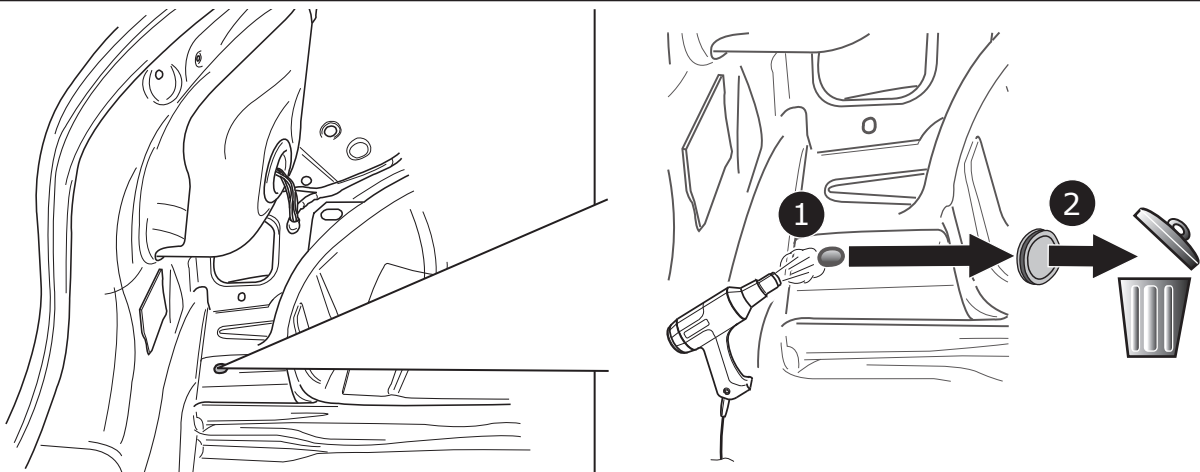


IBIZA 3DRS / 5DRS

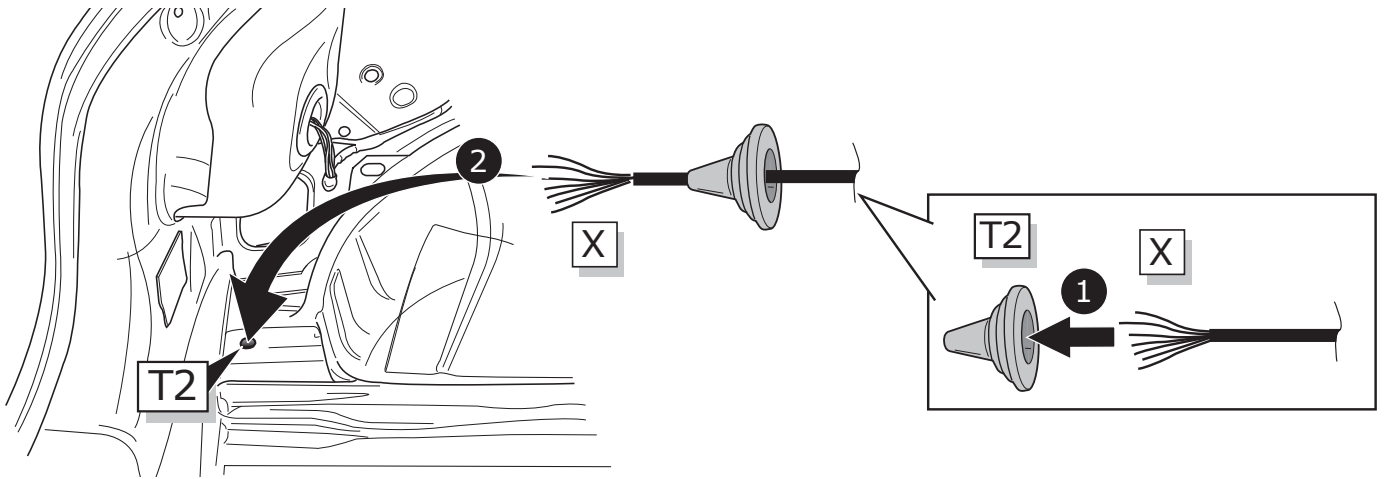
8



9

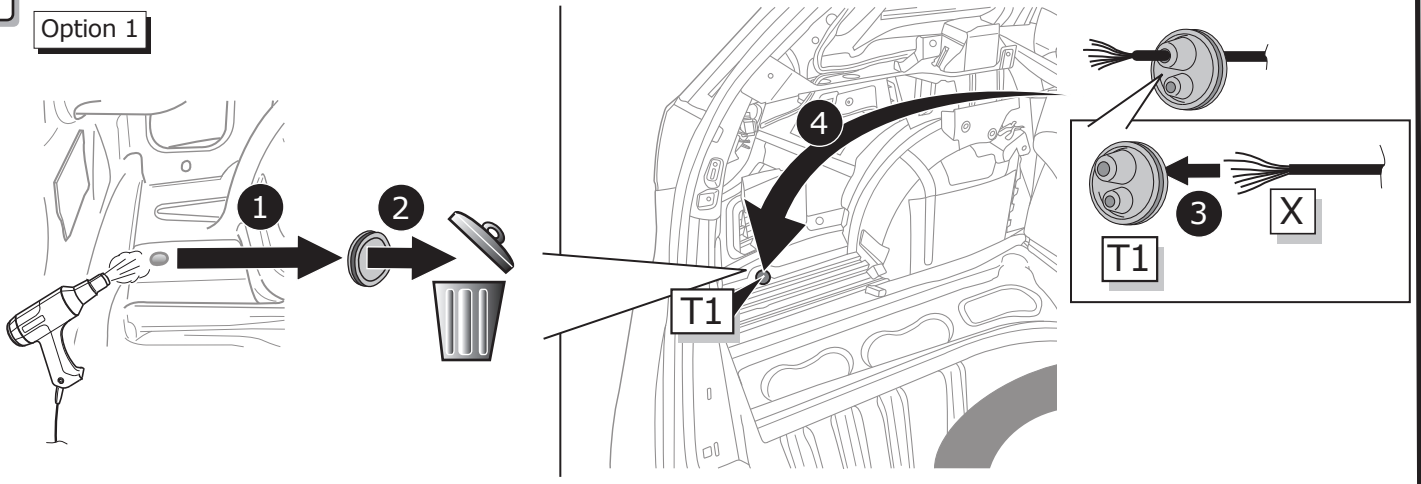


10



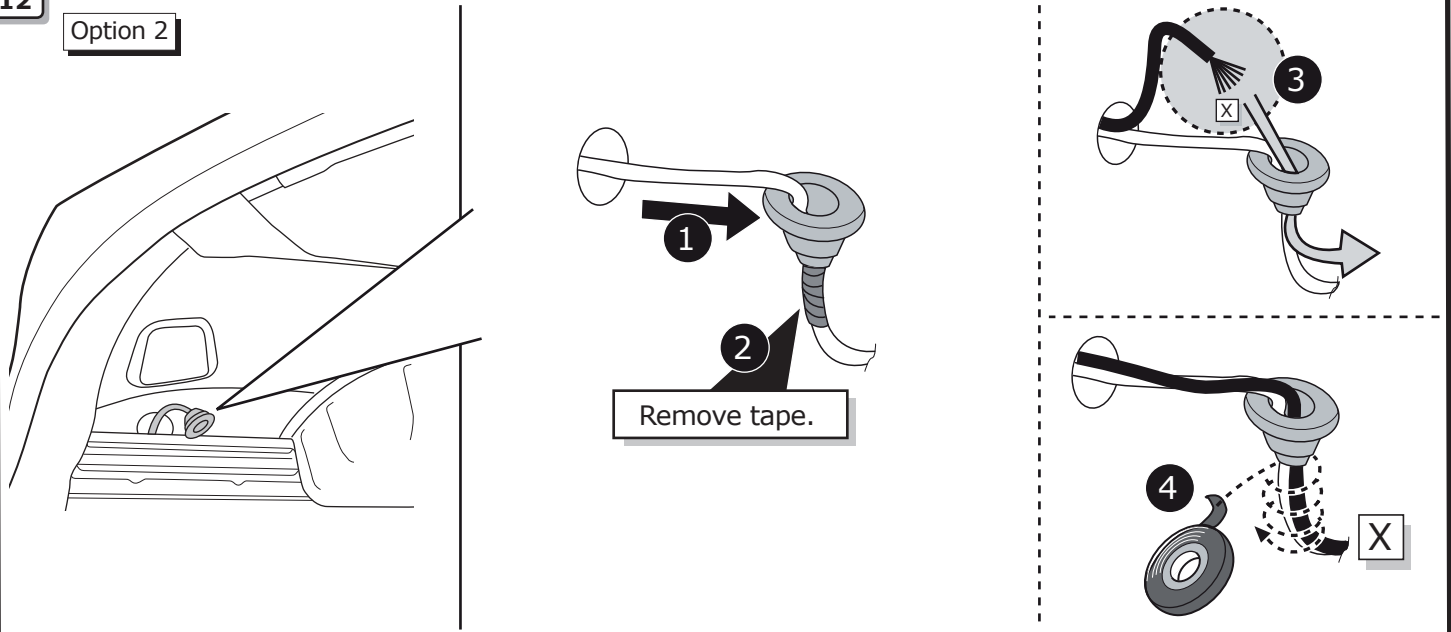
11

Option 1

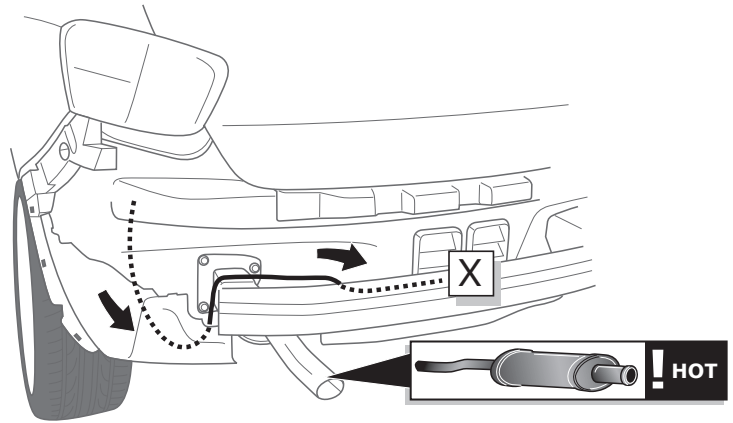
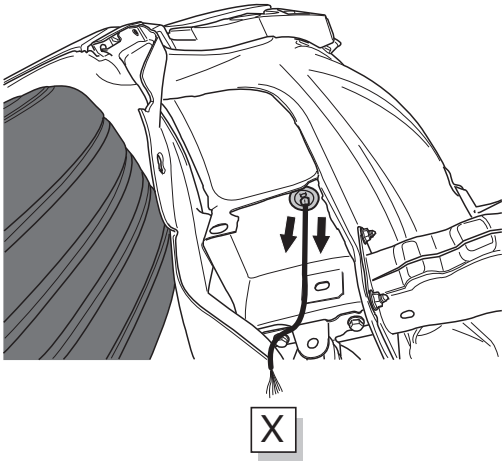


12

Option 2

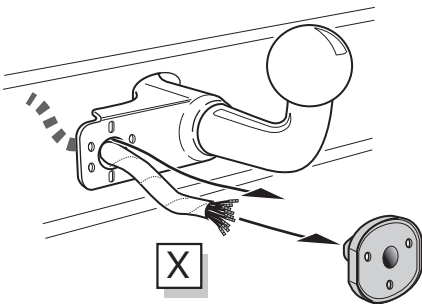


13

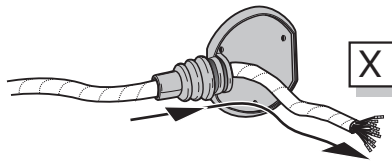


A

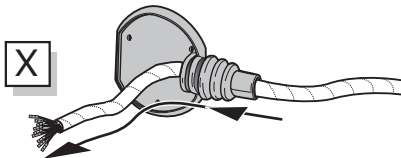
Option 1



Option 2



Option 3



INFO

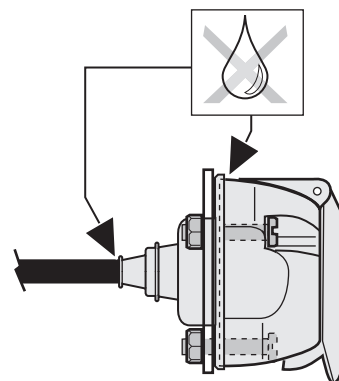
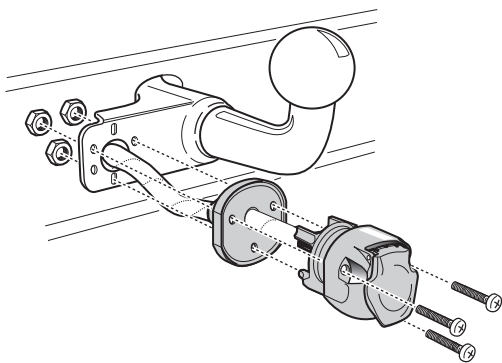
SOCKET CONNECTION

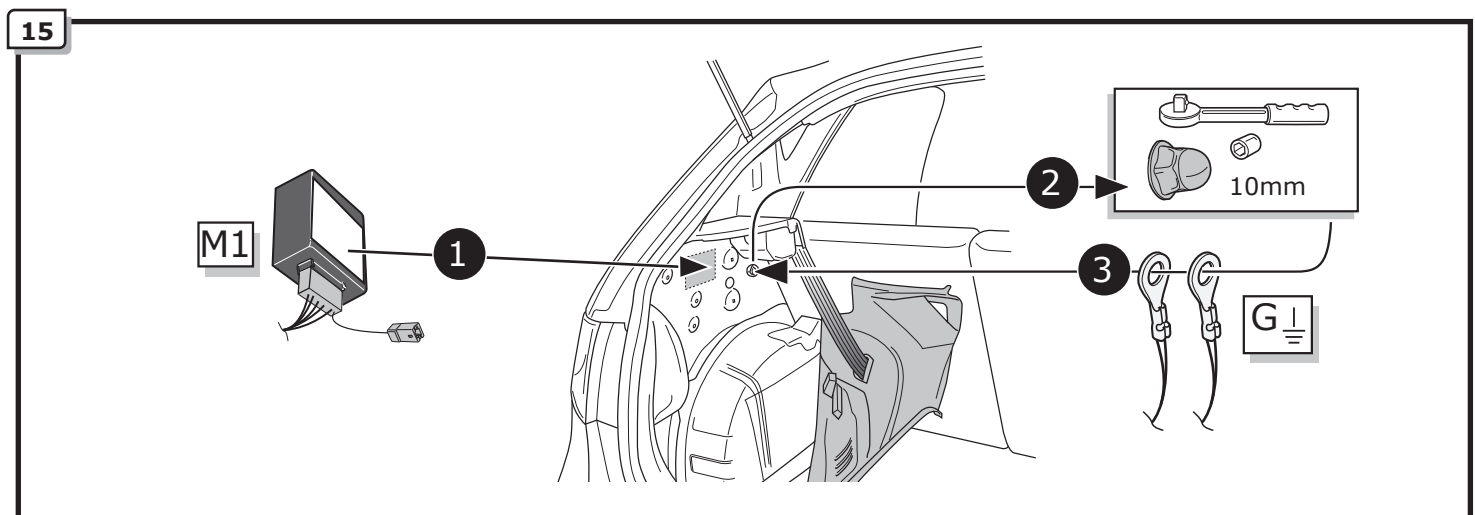
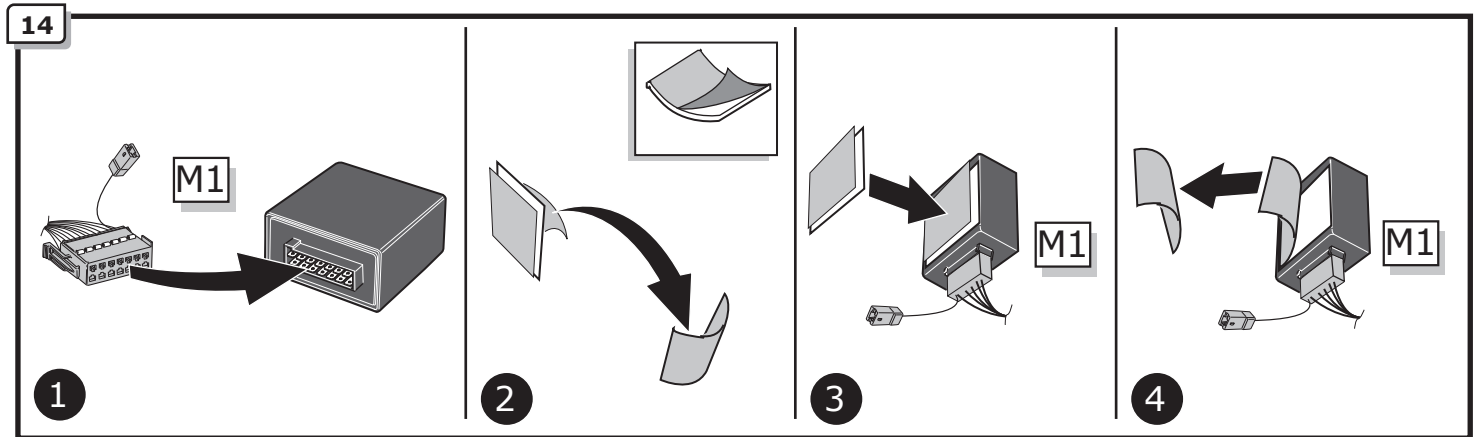
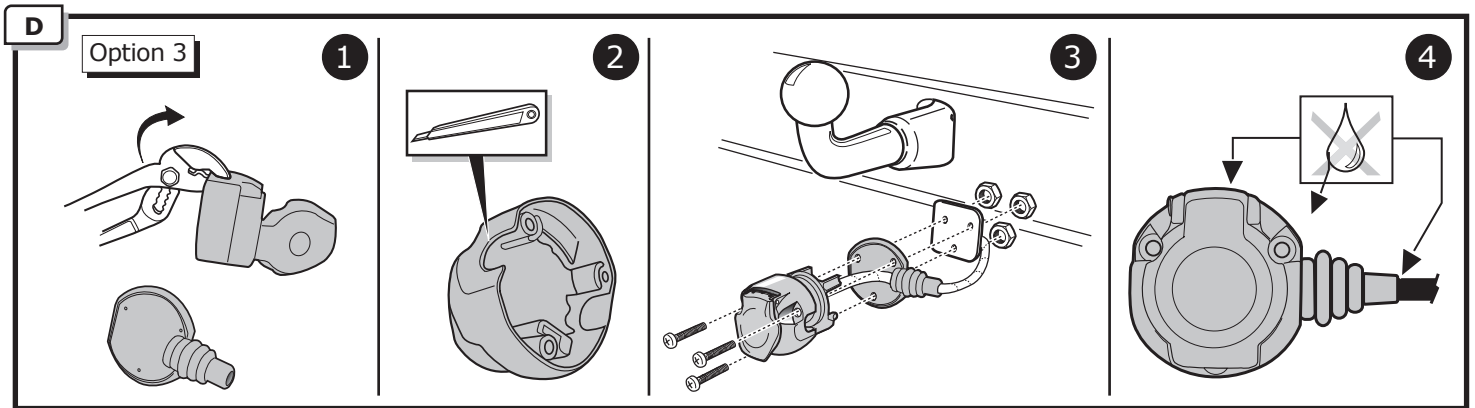
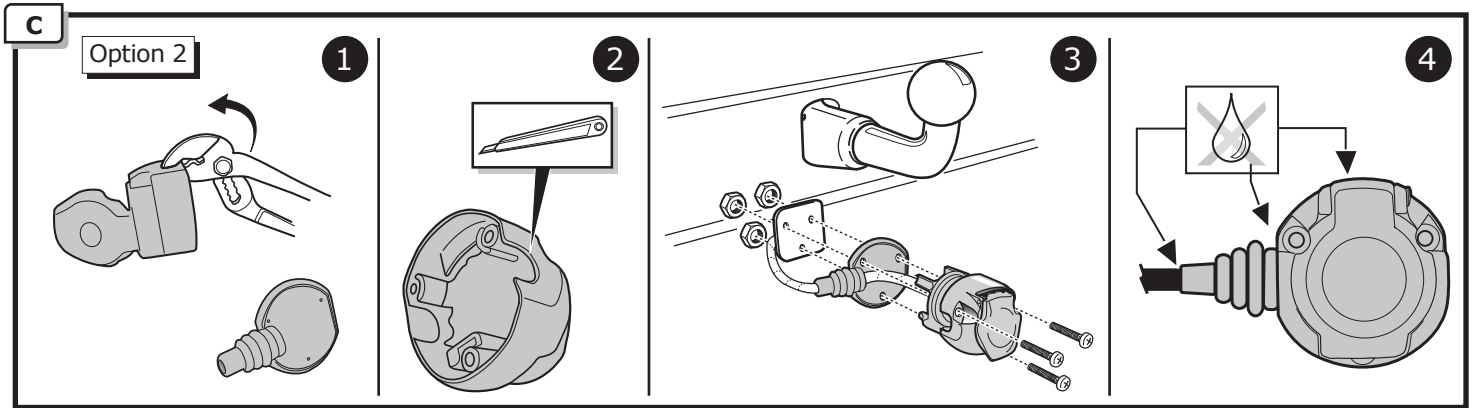


Pag. 17

B

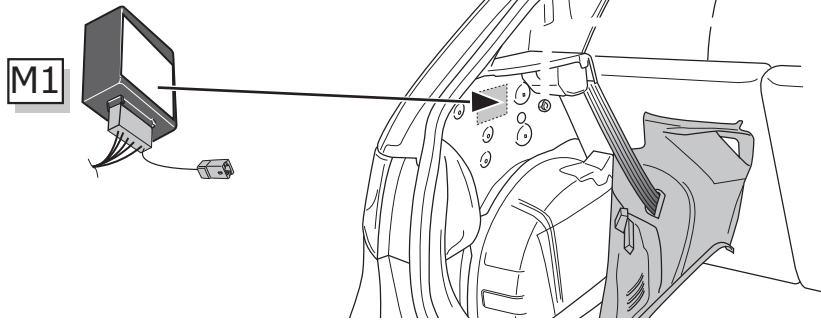
Option 1



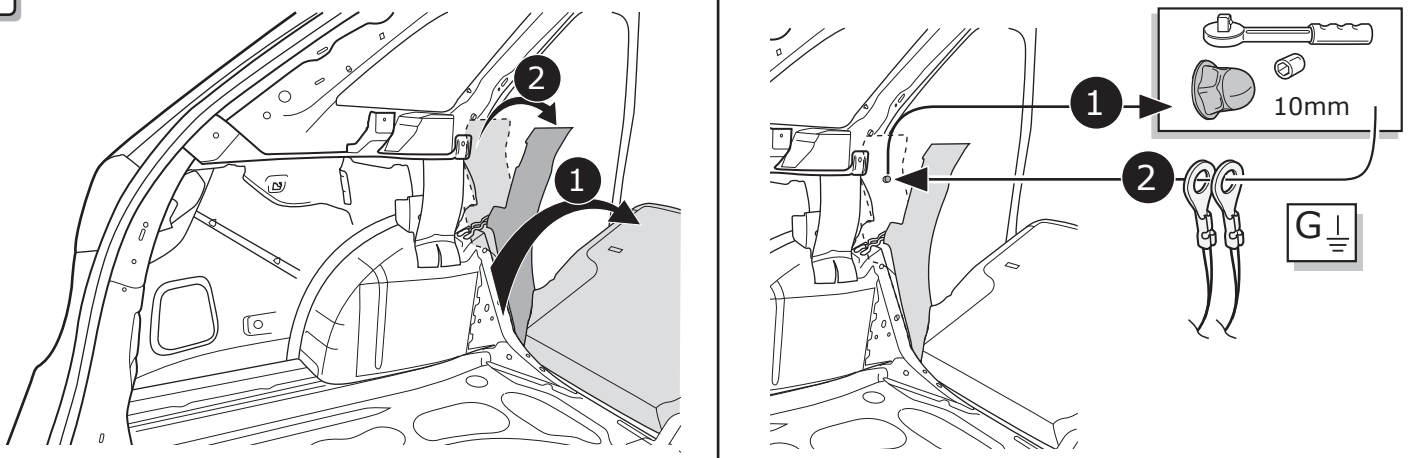


IBIZA ST

16

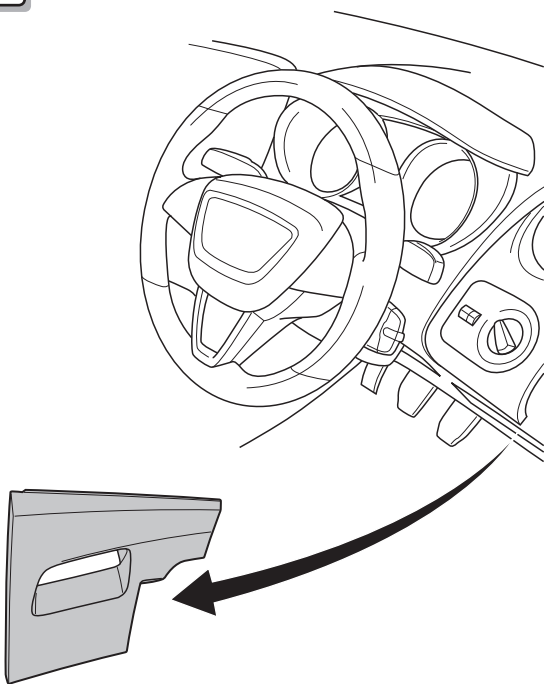


17

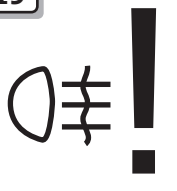


IBIZA 3DRS / 5DRS / ST

18



19



OPTION A for vehicles with Start & Stop/Automatic Lighting: fog lamp connection by CAN-Bus

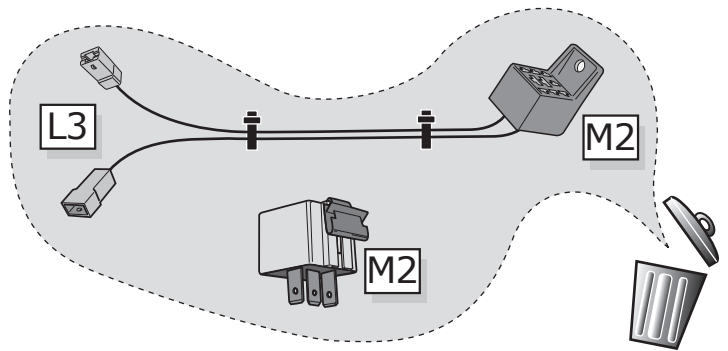
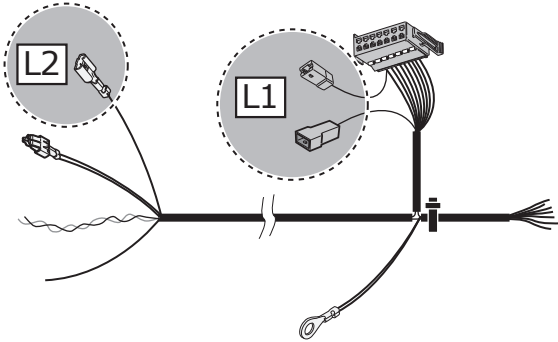
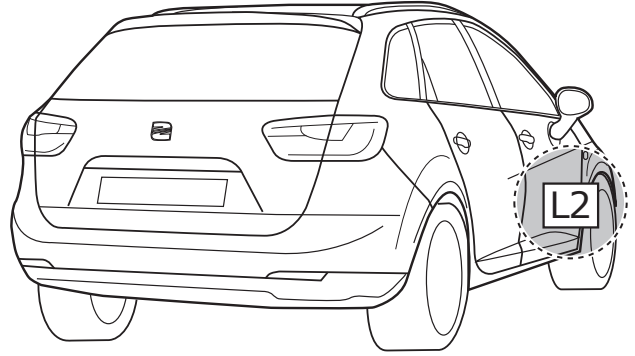
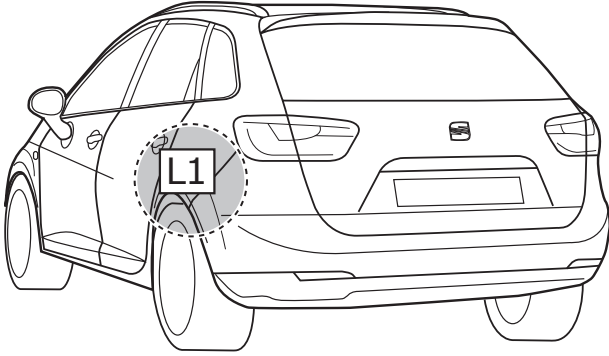


OPTION B for standard vehicles: fog lamp connection by relay

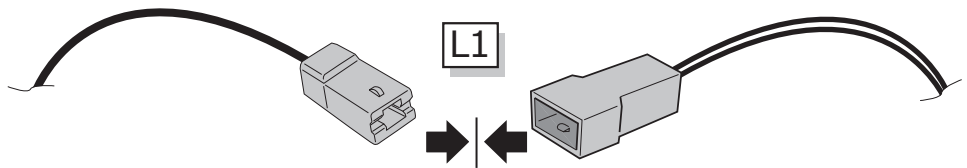
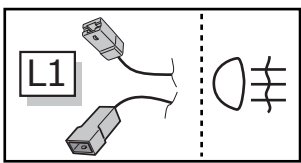


INFO

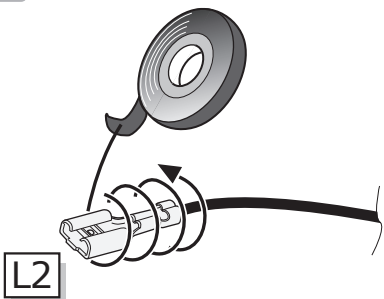
OPTION A



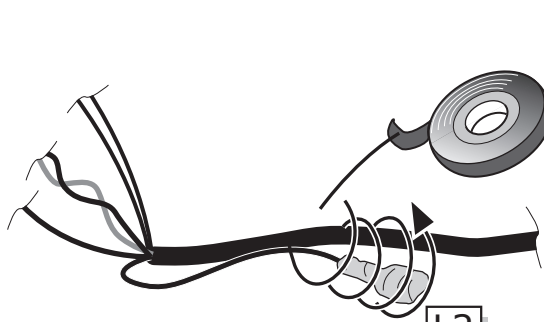
20



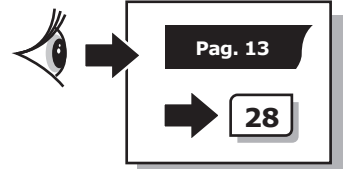
21



1

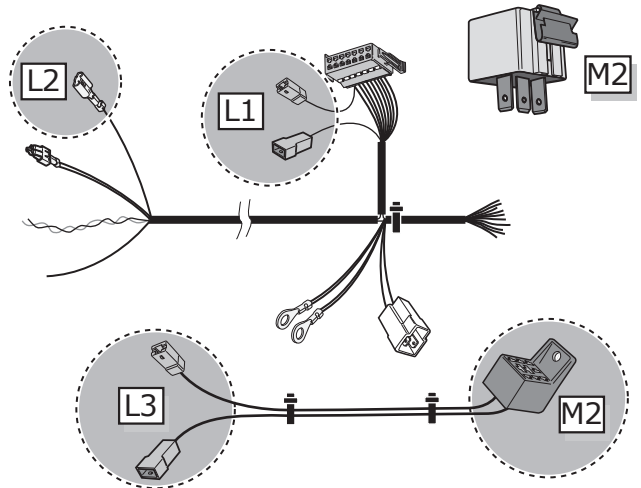
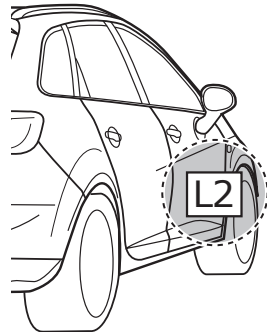
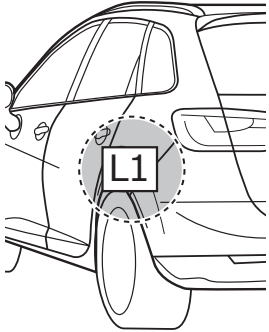


2

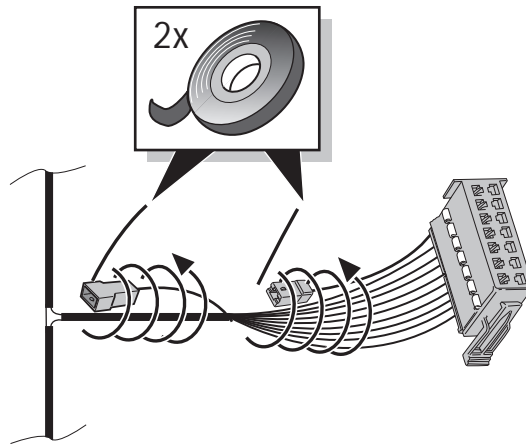
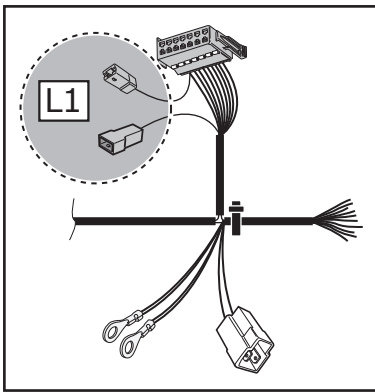


INFO

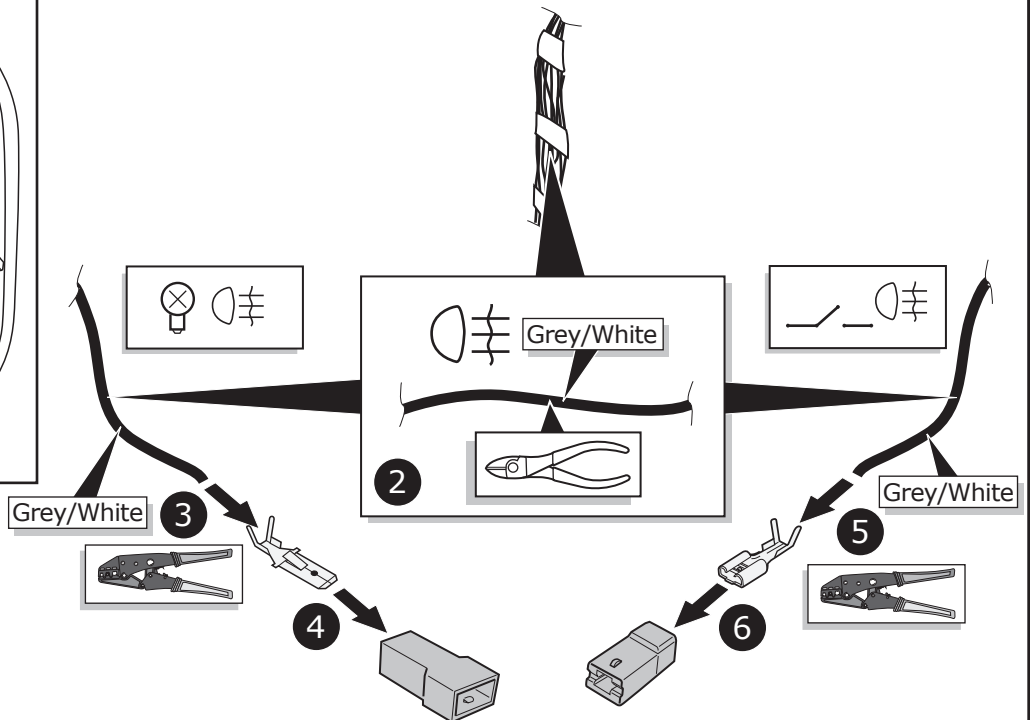
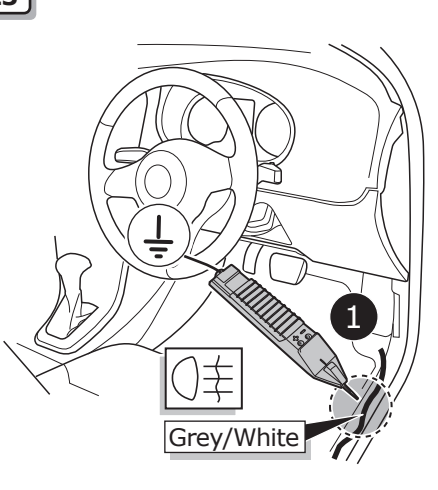
OPTION B



22



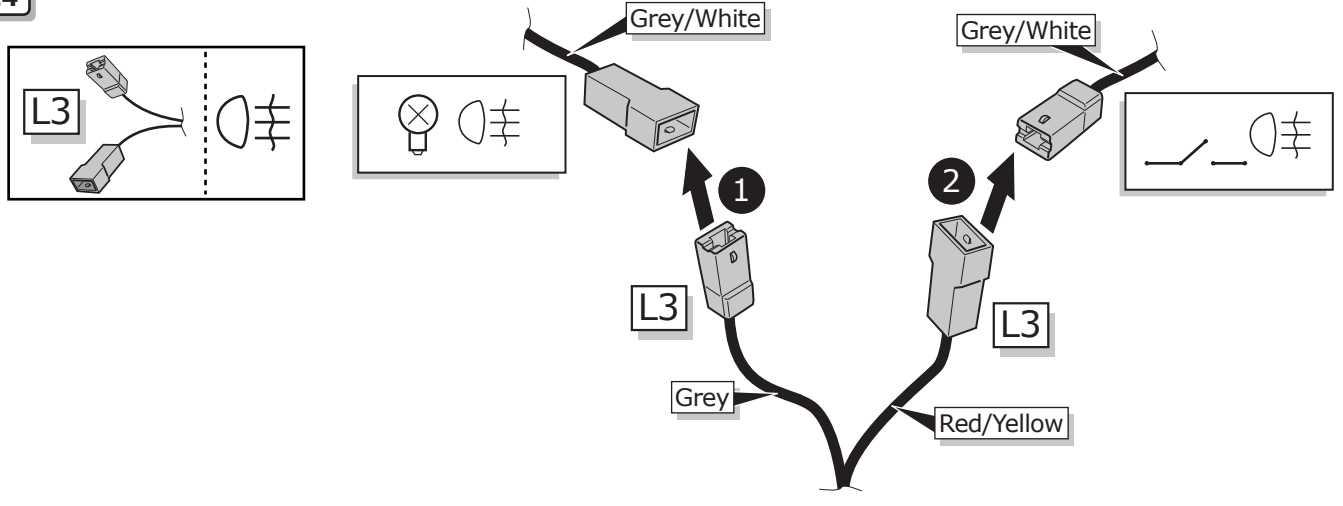
23



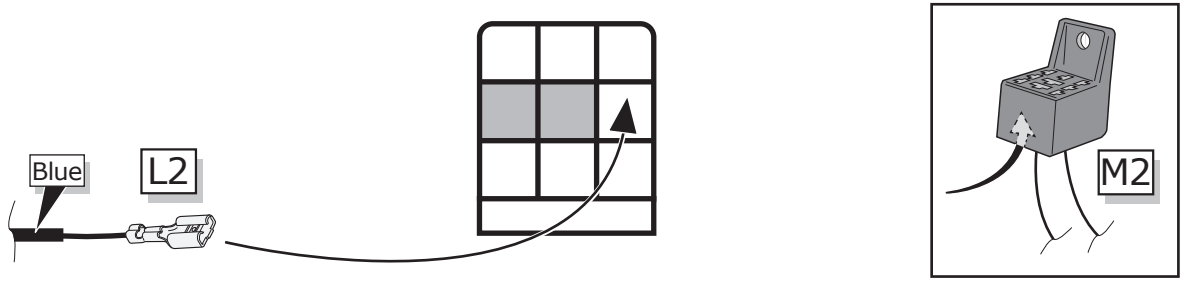
IBIZA 3DRS / 5DRS / ST

OPTION B for standard vehicles: fog lamp connection by relay

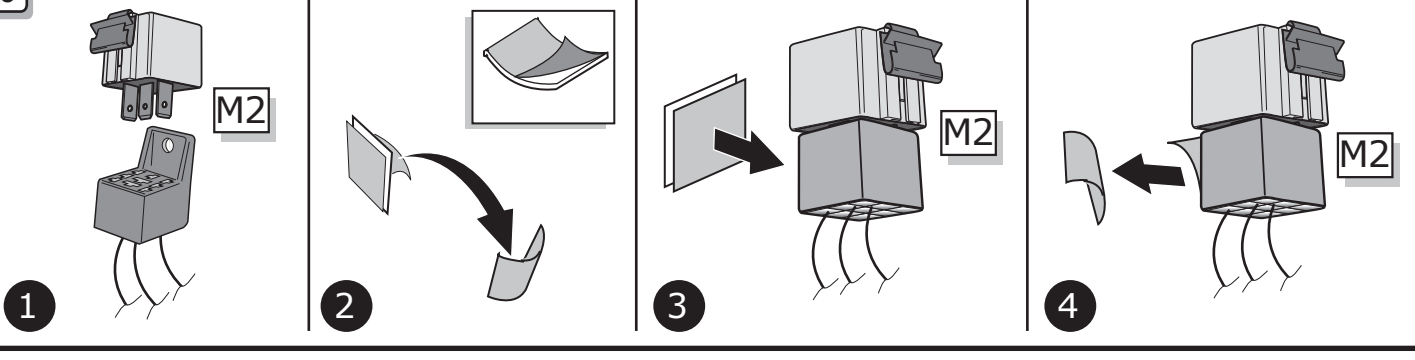
24



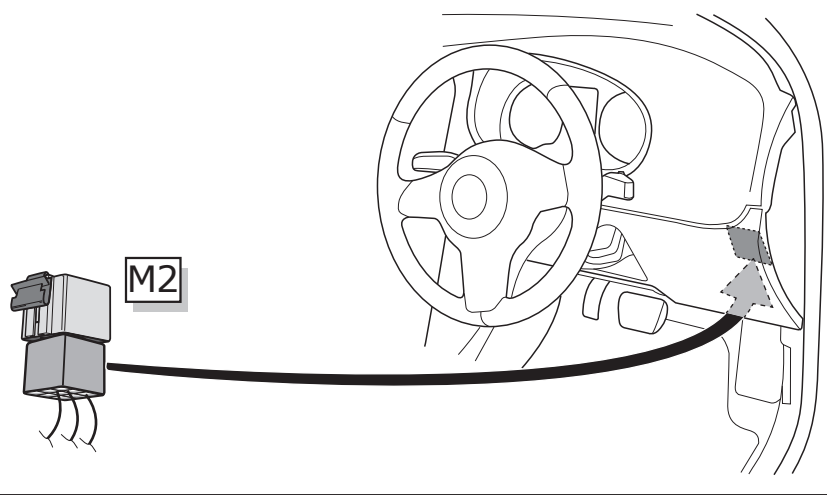
25



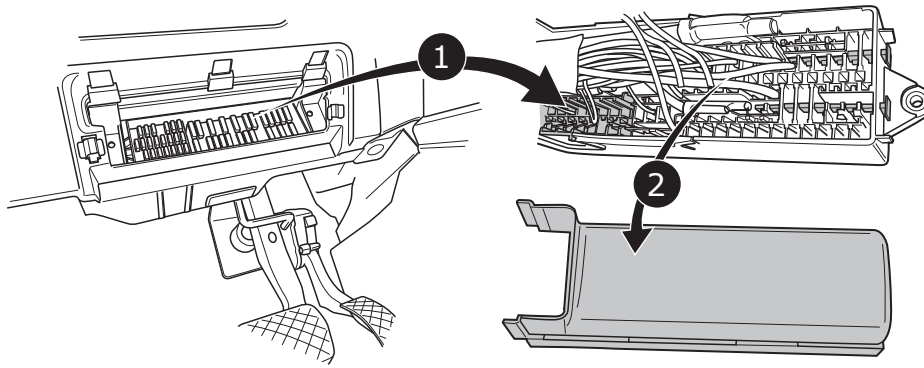
26



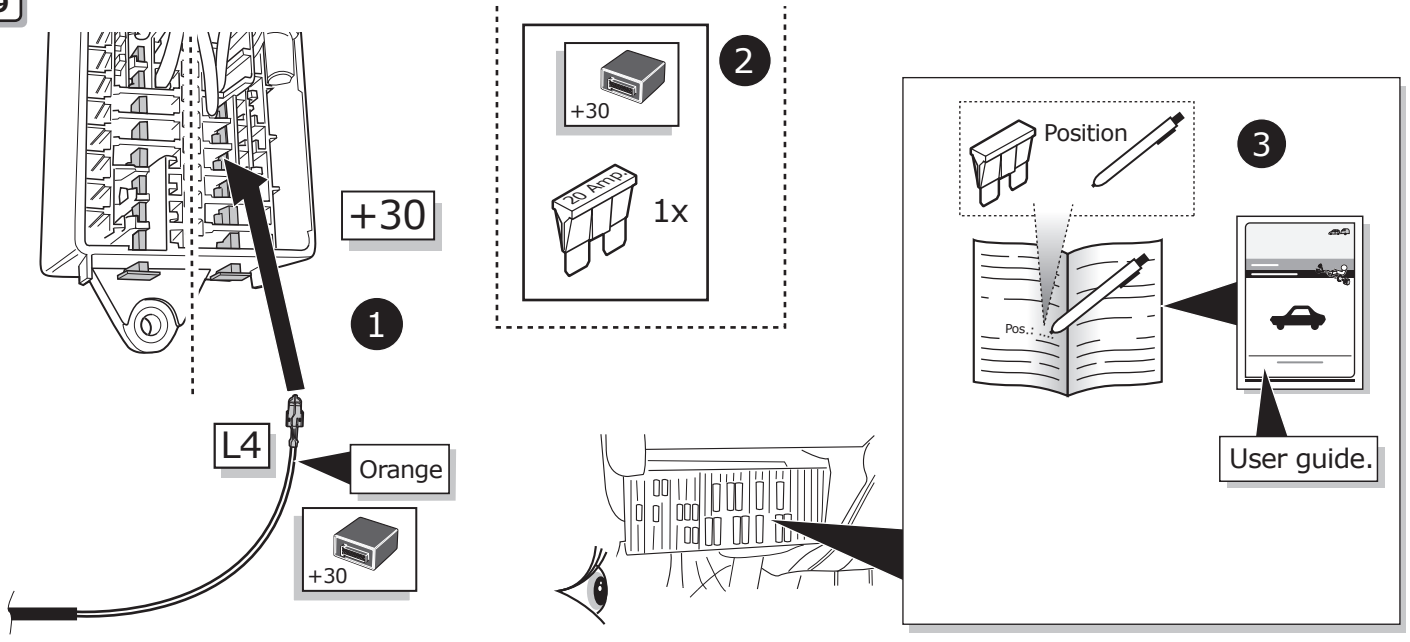
27



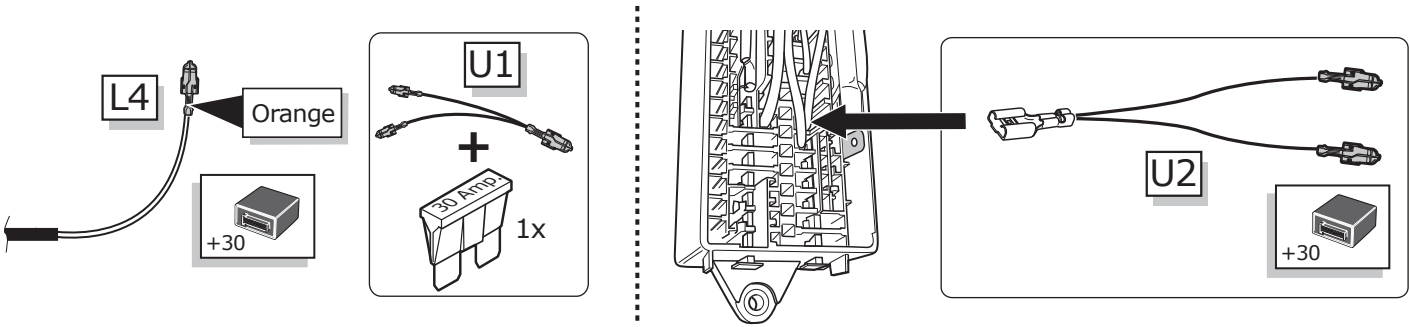
28



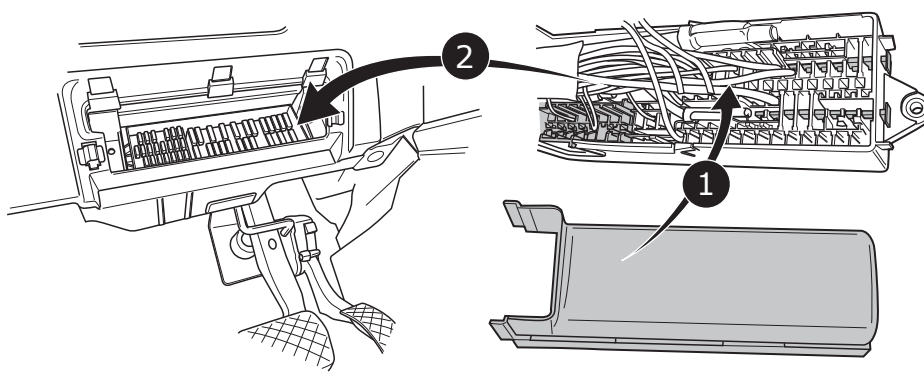
29



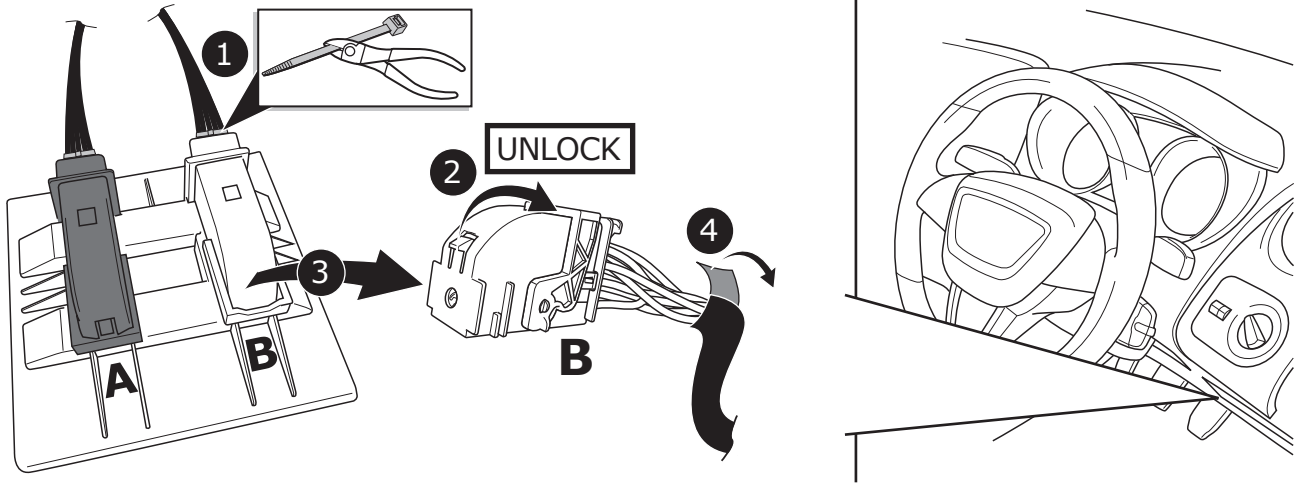
If Positions are taken:



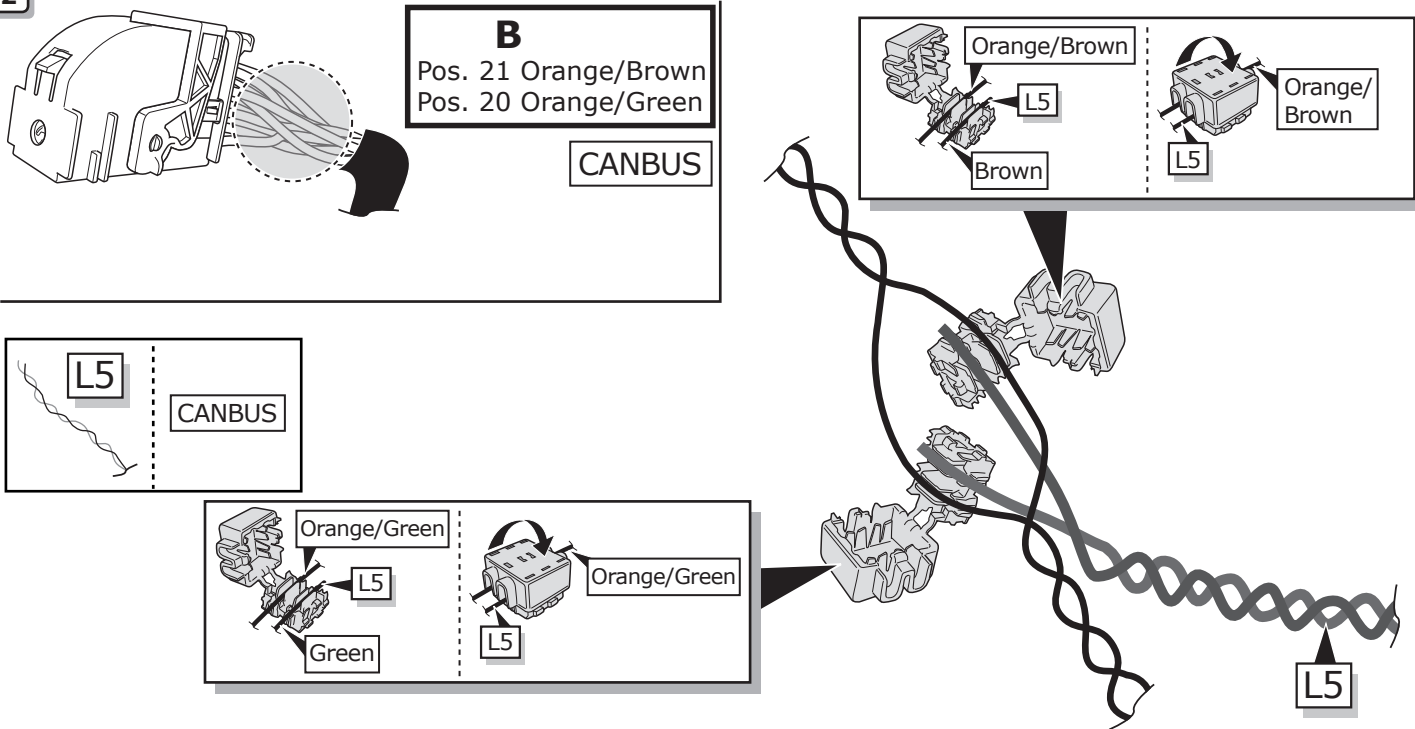
30



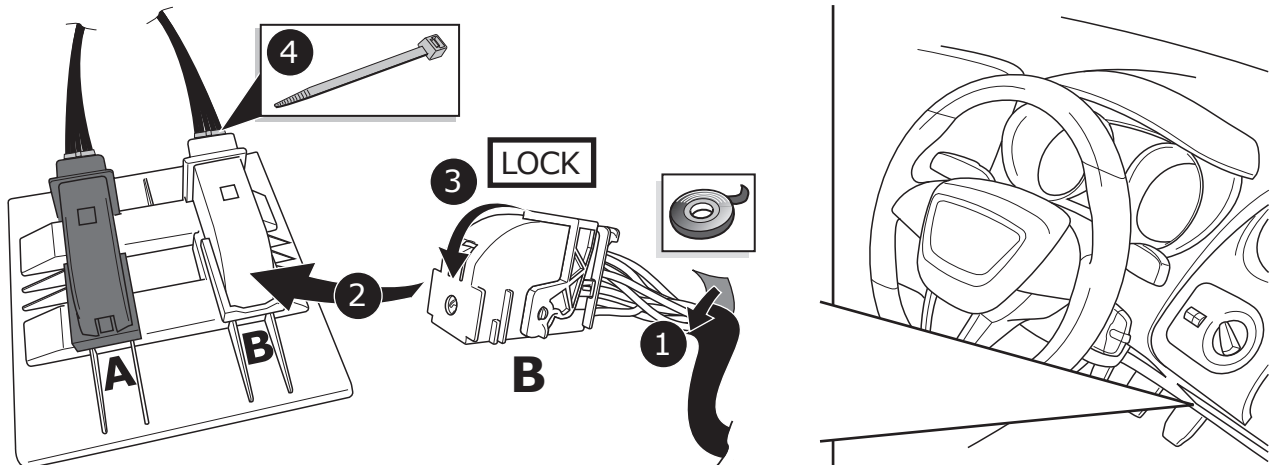
31



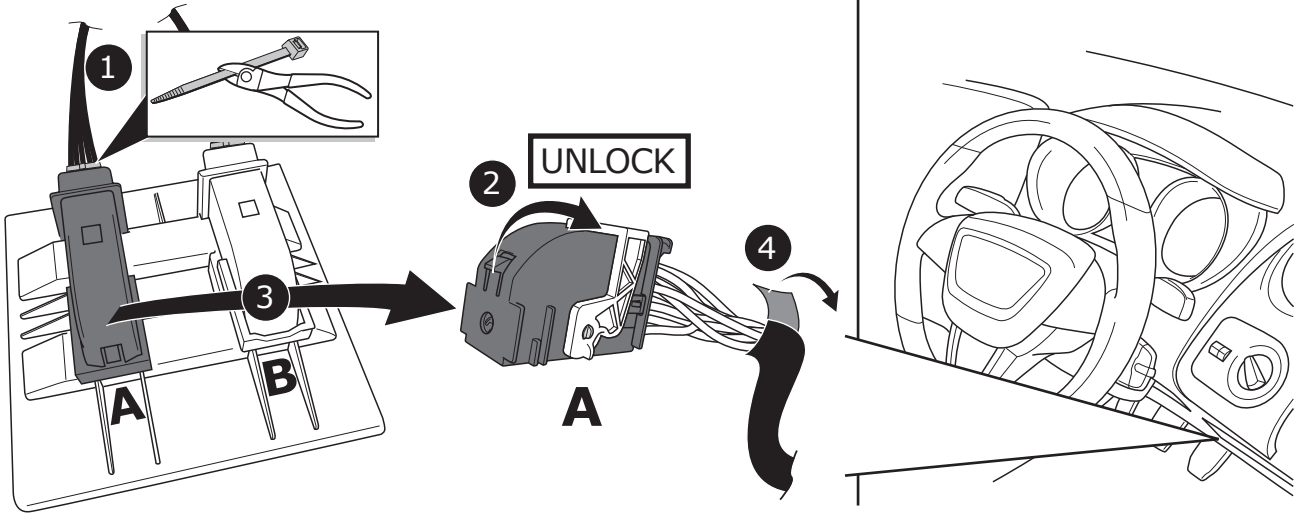
32



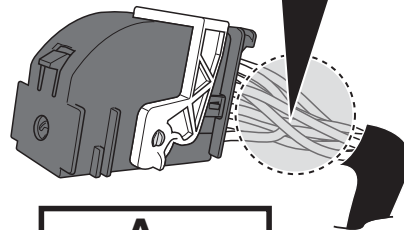
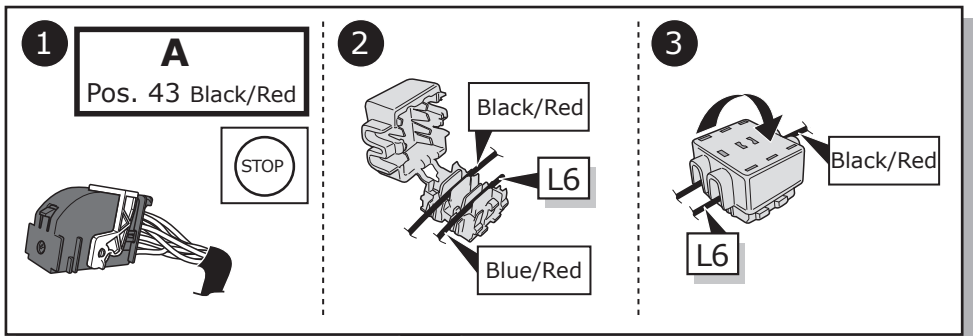
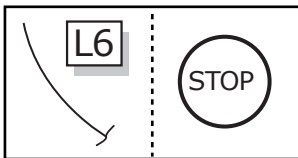
33



34

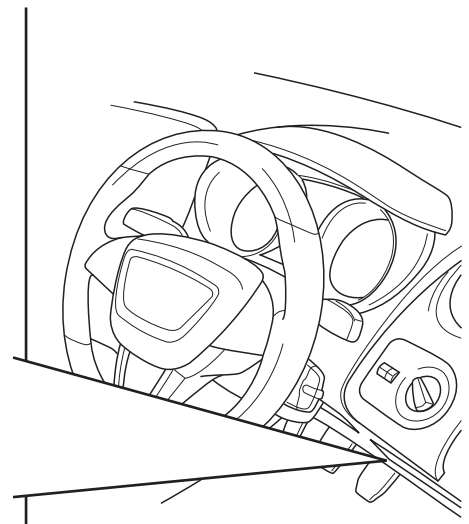
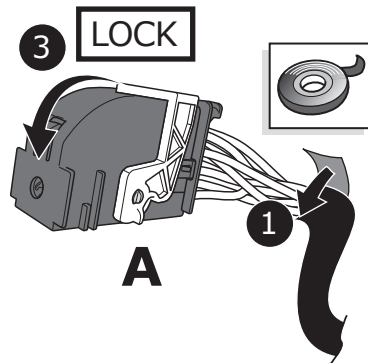
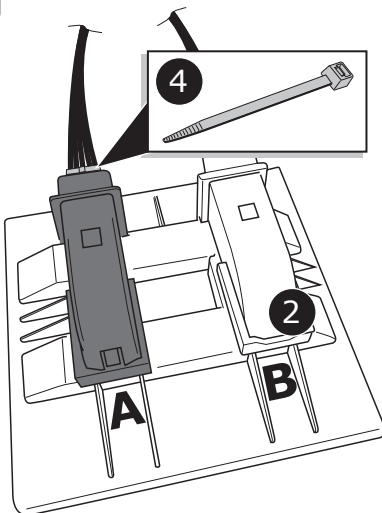


35

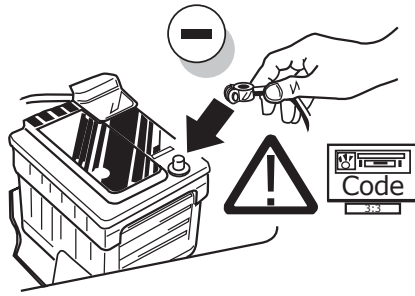


A
Pos. 43 Black/Red

36



37



38

A VAG Service Tester must be used to code the vehicle's Gateway with the additional function for the towing hitch at the dealer.

39

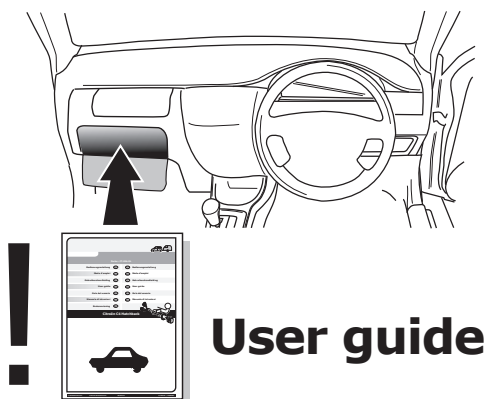


TEST ALL THE CIRCUITS WITH A TEST DEVICE WITH THE CORRECT POWER LOAD FOR EACH FUNCTION. A TEST DEVICE WITH LED'S CANNOT BE USED FOR THIS PURPOSE.

INFO

REINSTALL TRIM.

40



User guide

TECHNICAL SUPPORT

CALL 07440 202 052

ECS ELECTRONICS

MONDAY TO FRIDAY
08.00 - 11.00 am
12.00 - 05.00 pm
t.skinner@ecs-electronics.com
www.ecs-electronicsuk.co.uk

SOCKET CONNECTION

DIN/ISO 11446													
	1/L	2	3/31	4/R	5/58-R	6/54	7/58-L	8	9	10	11	12	13
Pmax	21W	21W		21W	42W	3x21W	42W	21W	180W/15Amp	180W/15Amp			
Colour	Black/ White	Blue	Brown	Black/ Green	Grey/ Red	Black/ Red	Grey/ Black	Black	Red	Yellow	Brown	-	Brown