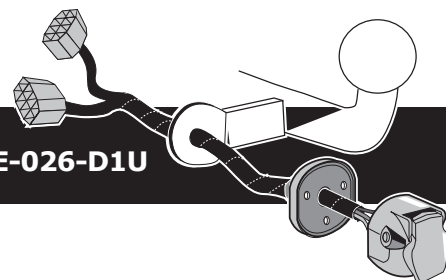


**VOLKSWAGEN Polo 2009- 3drs /
VOLKSWAGEN Polo 2009- 5drs /
VOLKSWAGEN Polo 2009- Cross**

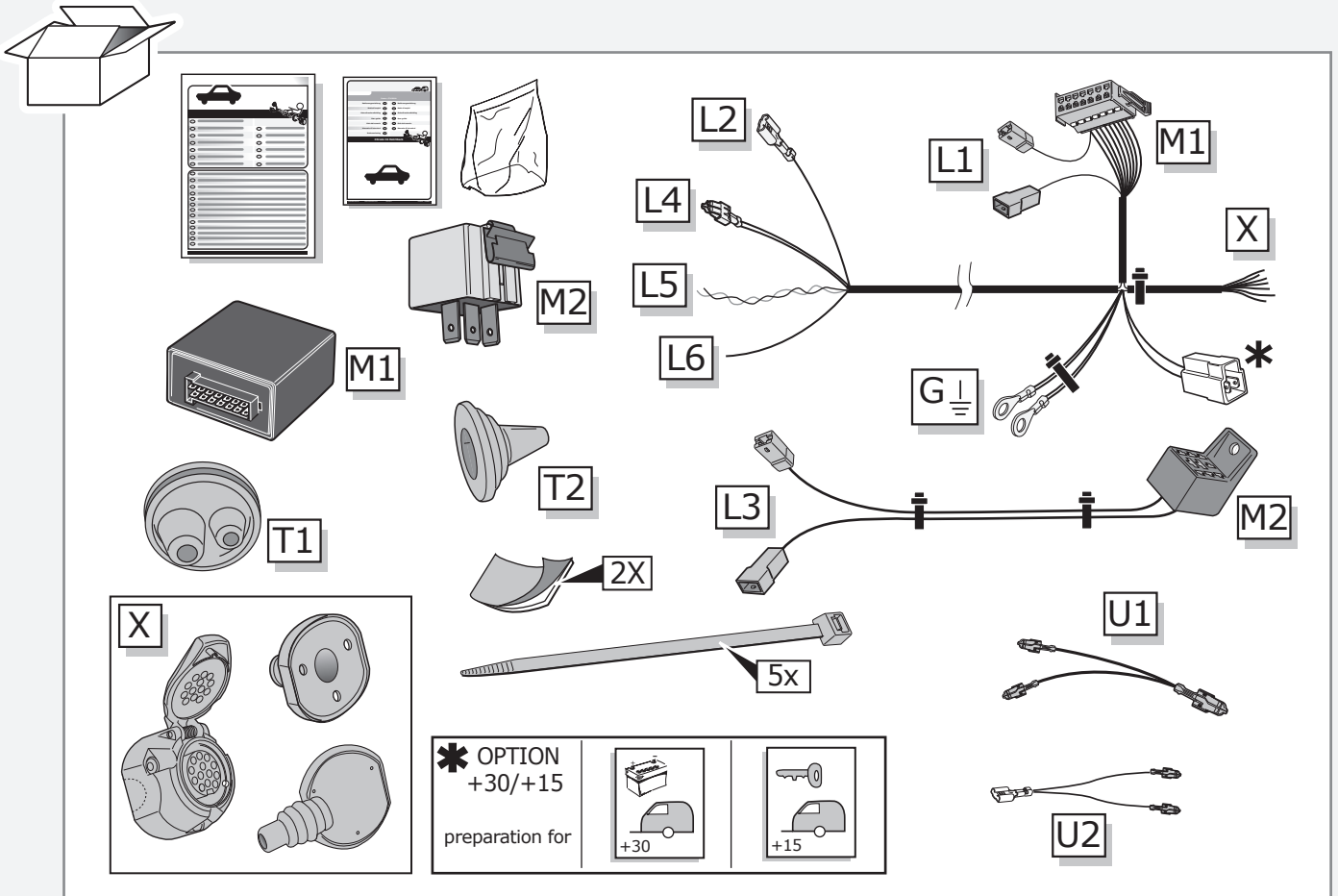
Partnr.: SE-026-D1U



- Fitting instructions electric wiring kit tow bar with 13-P socket up to DIN/ISO Norm 11446.
- We would expressly point out that assembly not carried out properly by a competent installer will result in cancellation of any right to damage compensation, in particular those arising by virtue of the product liability act.
- Contents of these kits and their fitting manuals are subject to alteration without notice, please ensure that these instructions are read and fully understood before commencing installation.
- Do not overload circuits; the maximum loads per connection are detailed in this manual.
- Attention! Before Installation, please read this manual carefully and inform your customer to consult the vehicle owners manual to check for any vehicle modifications required before towing.
- In the event of functional problems, troubleshooting must be limited to about 0.5 hours, contact the technical support:
t.skinner@ecs-electronics.com / 07440 202 052.

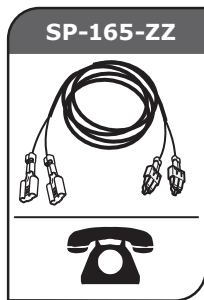


Part list

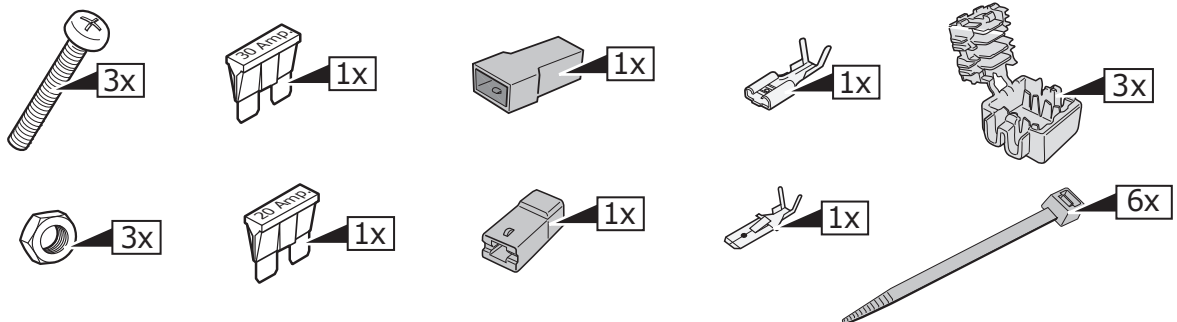


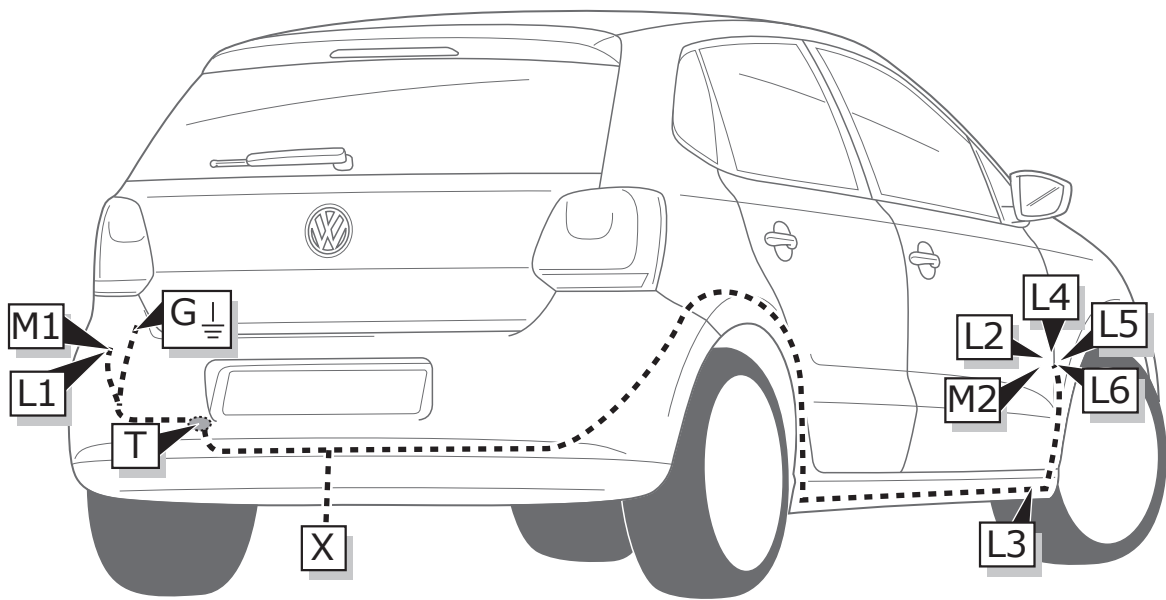
Option *
+30/+15

extension kit

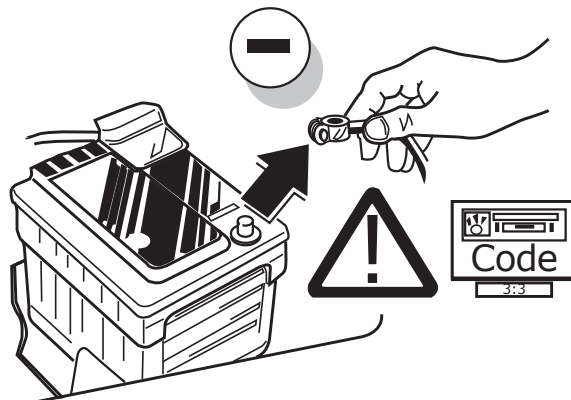


Consult your supplier.

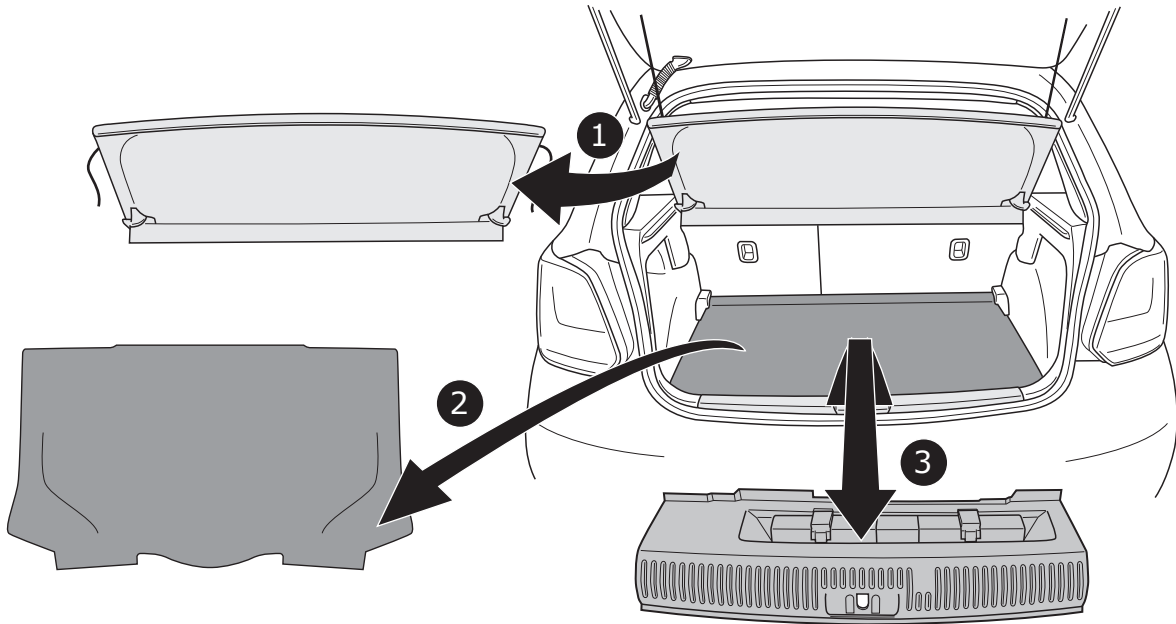




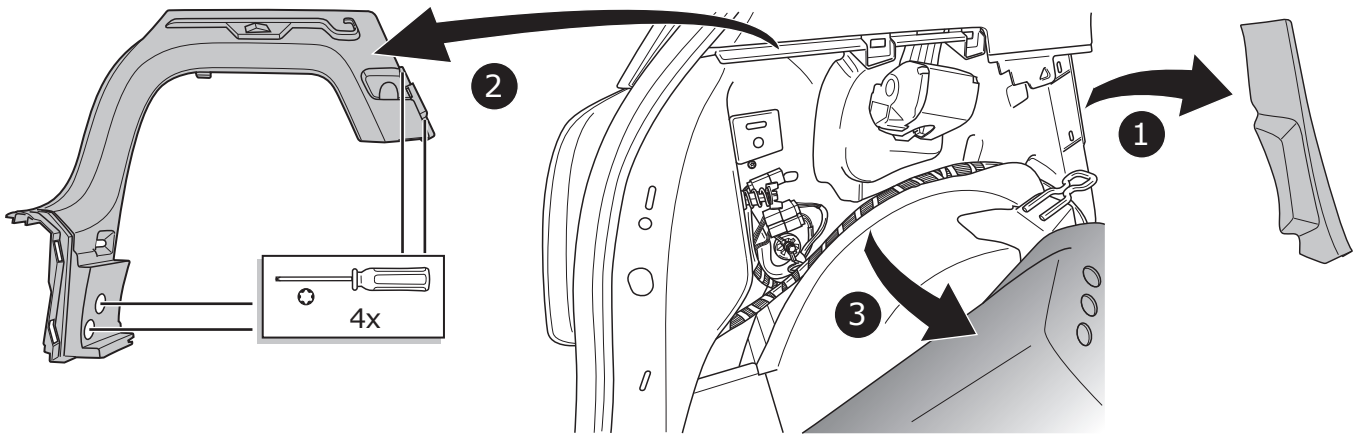
1



2

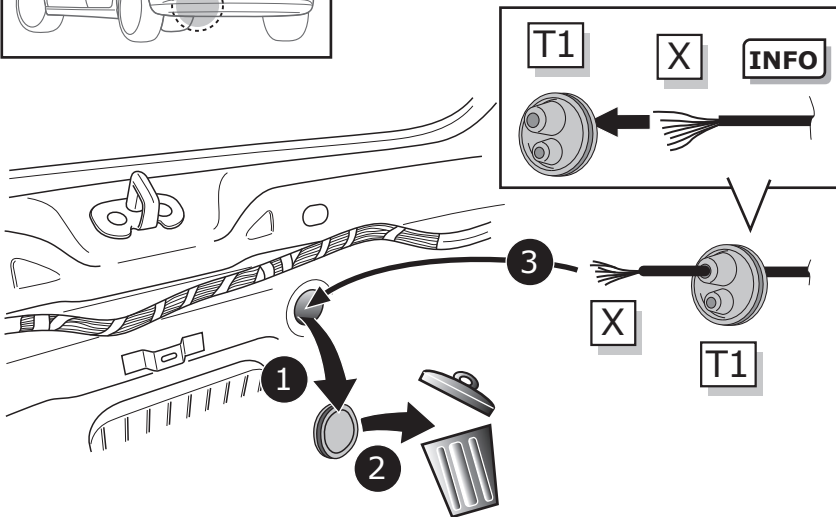
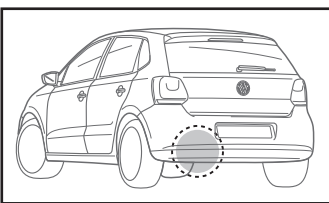


3

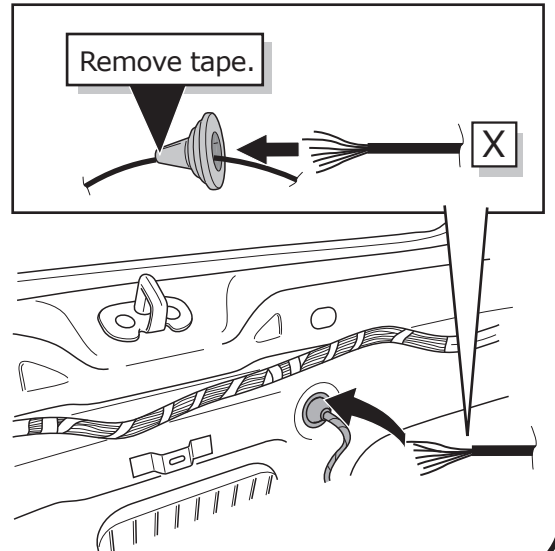


4

OPTION 1

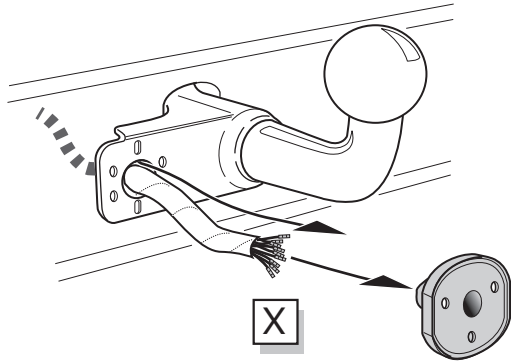


OPTION 2

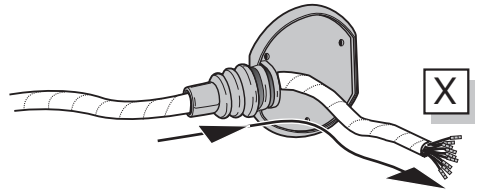


A

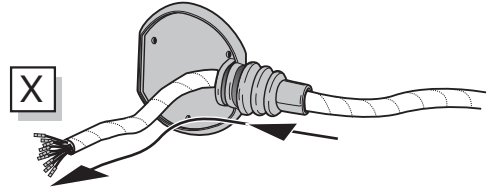
Option 1



Option 2



Option 3



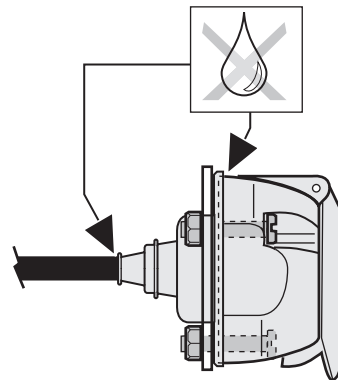
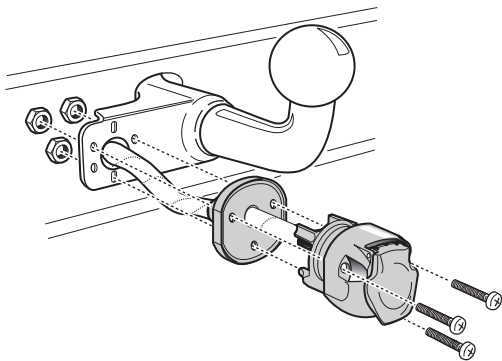
INFO

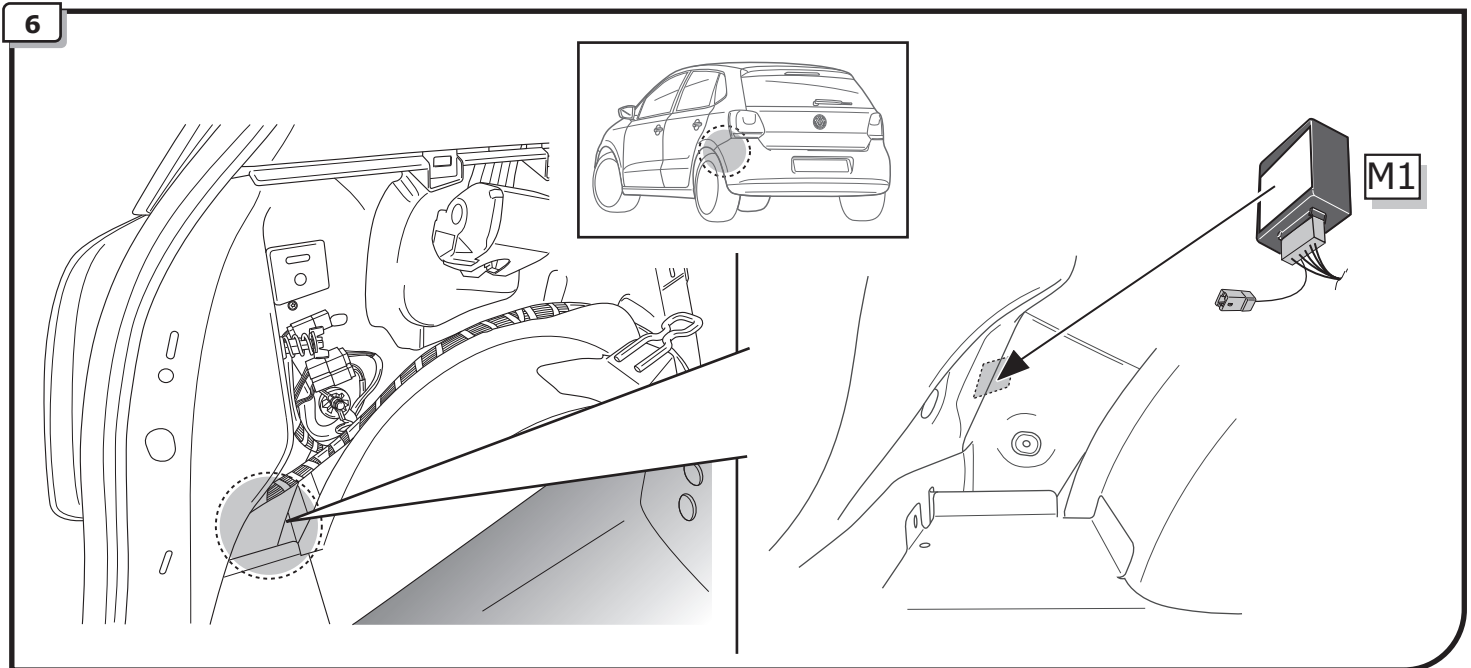
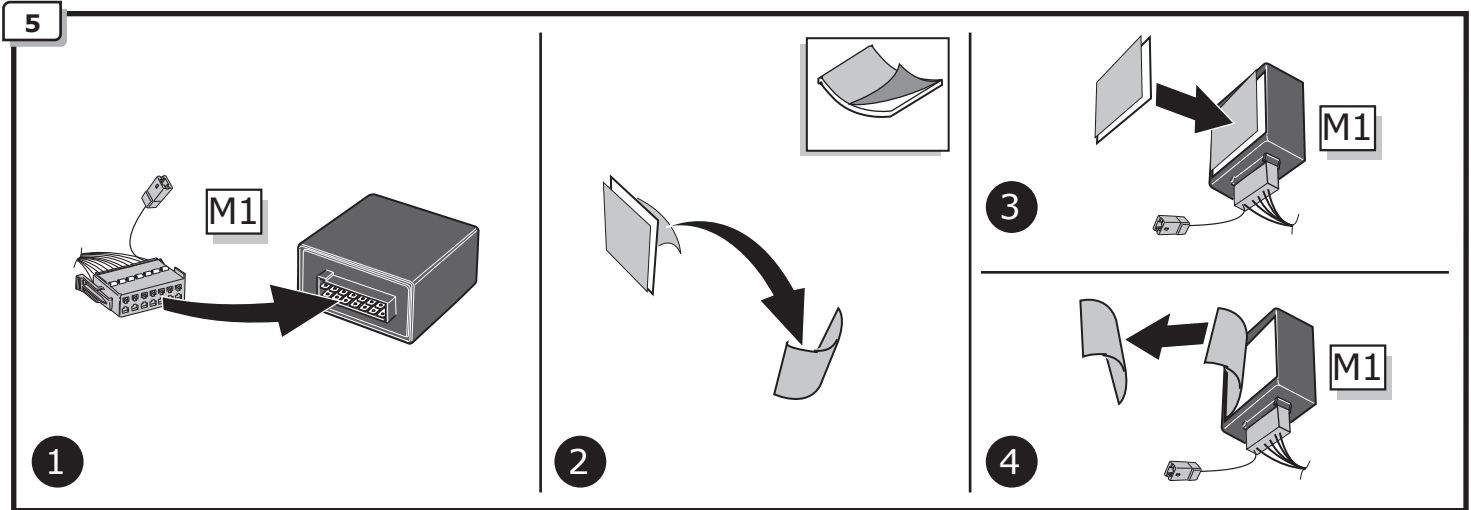
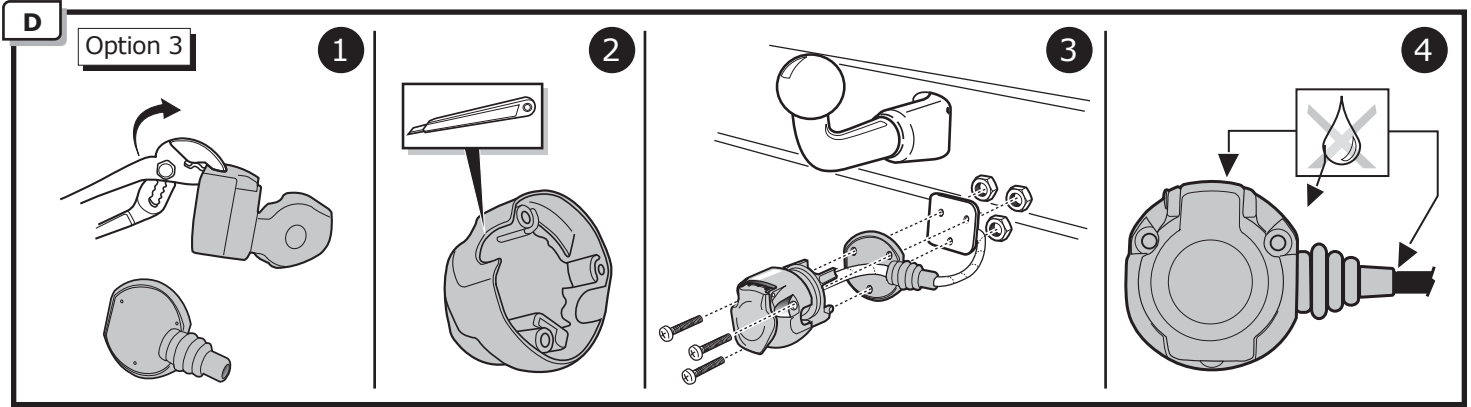
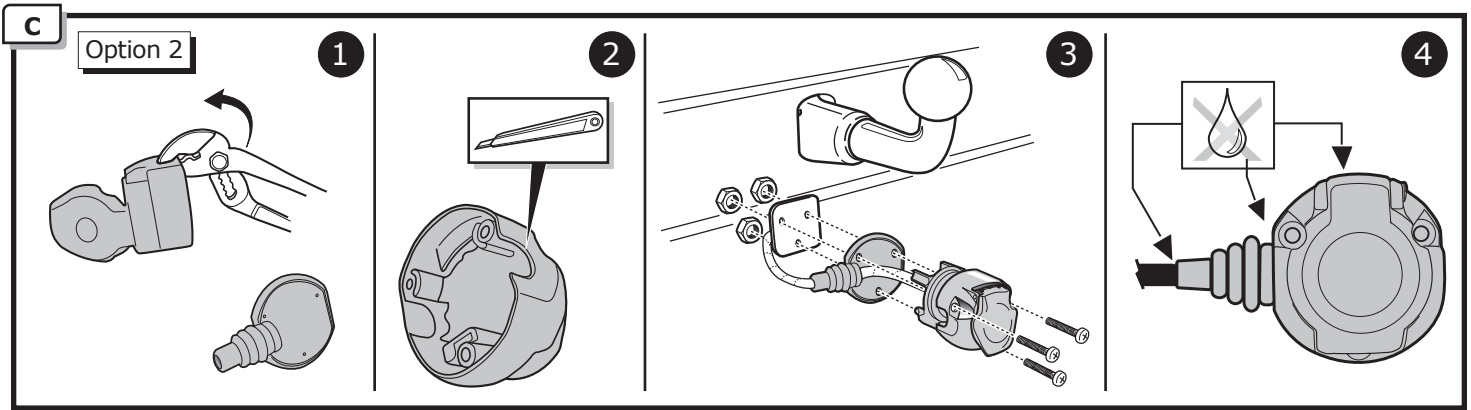
SOCKET CONNECTION 

Pag. 15

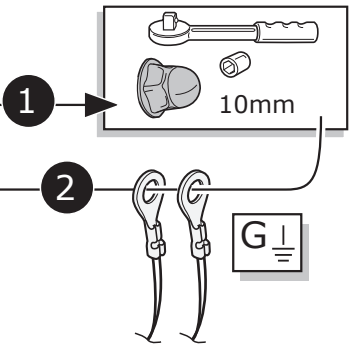
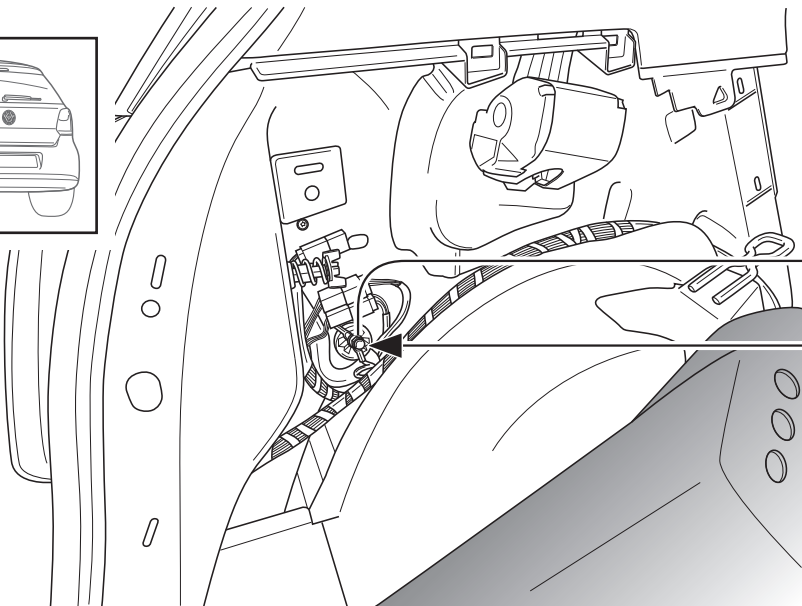
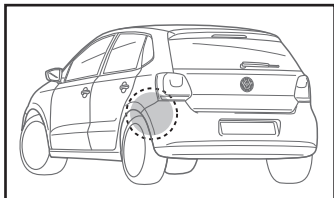
B

Option 1

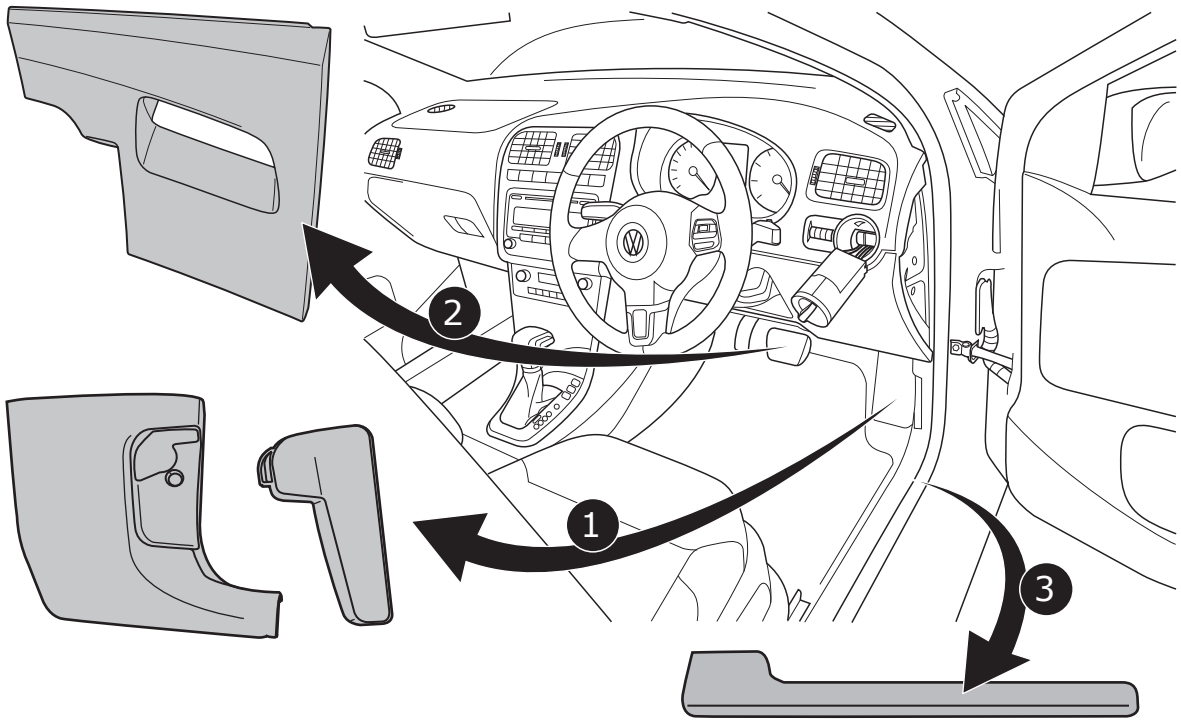




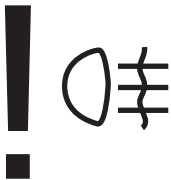
7



8



9



OPTION A for vehicles with Start & Stop/Automatic Lighting:
fog lamp connection by CAN-Bus

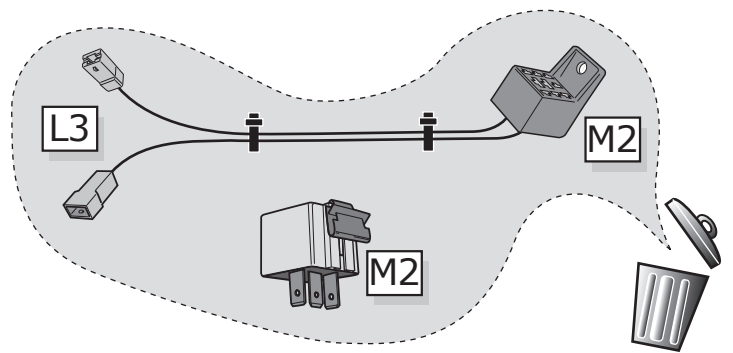
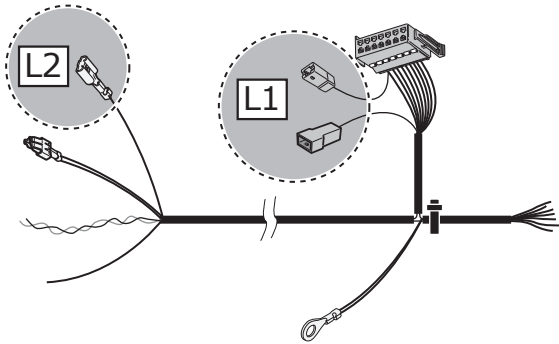
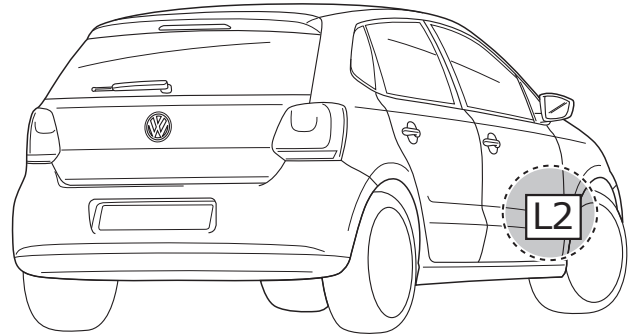
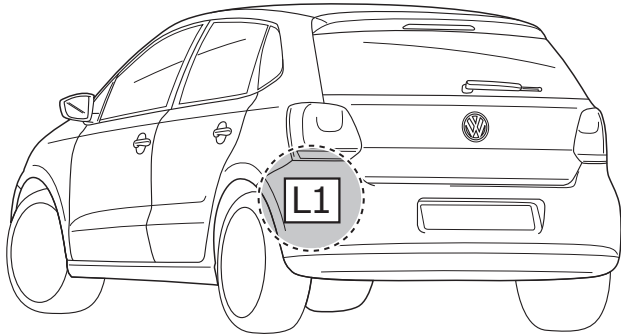


OPTION B for standard vehicles:
fog lamp connection by relay

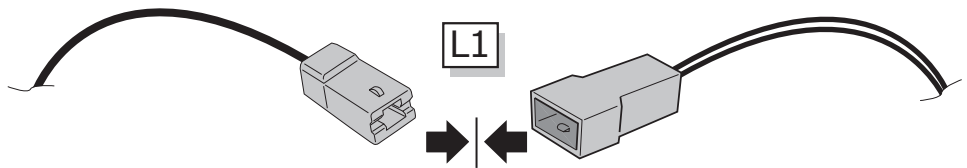
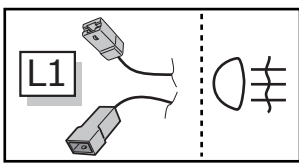


INFO

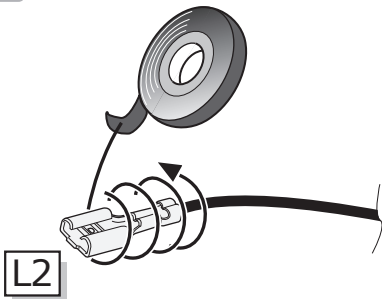
OPTION A



10



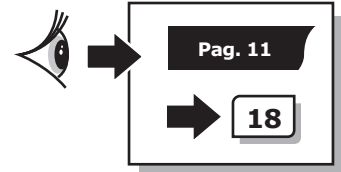
11



1



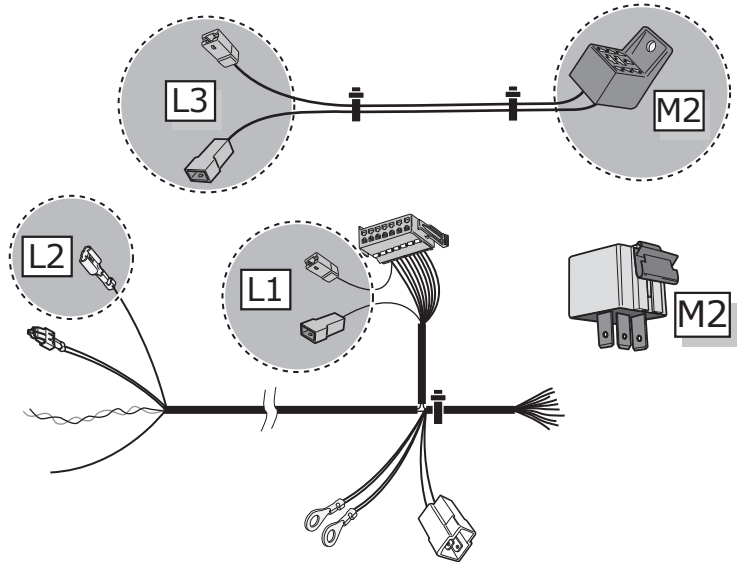
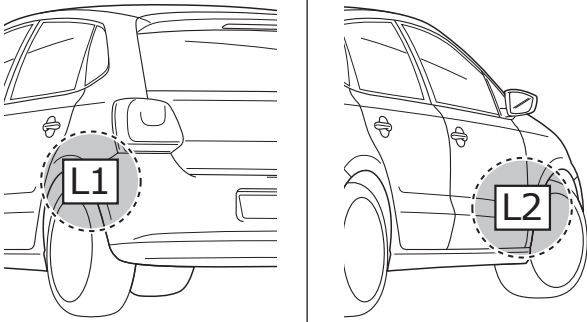
2



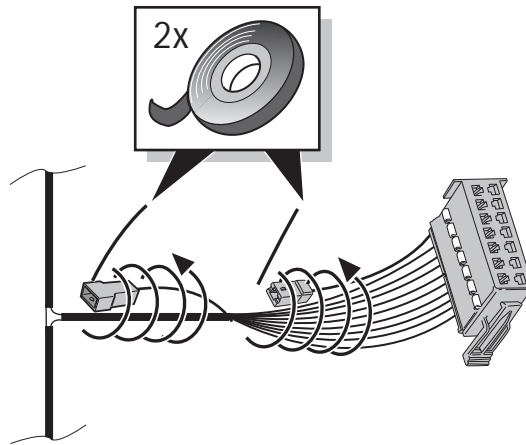
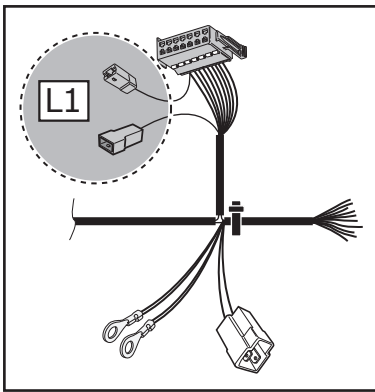
OPTION B for standard vehicles: fog lamp connection by relay

INFO

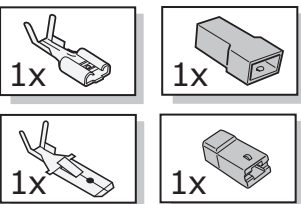
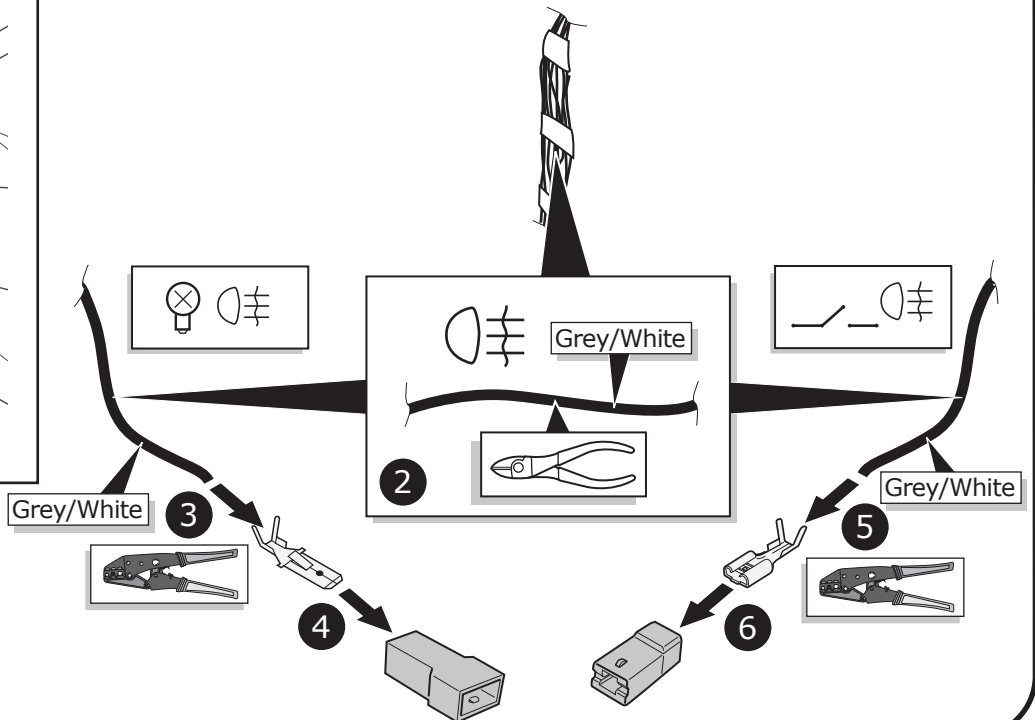
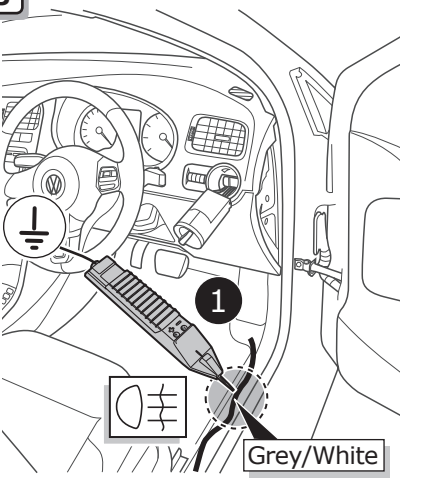
OPTION B



12

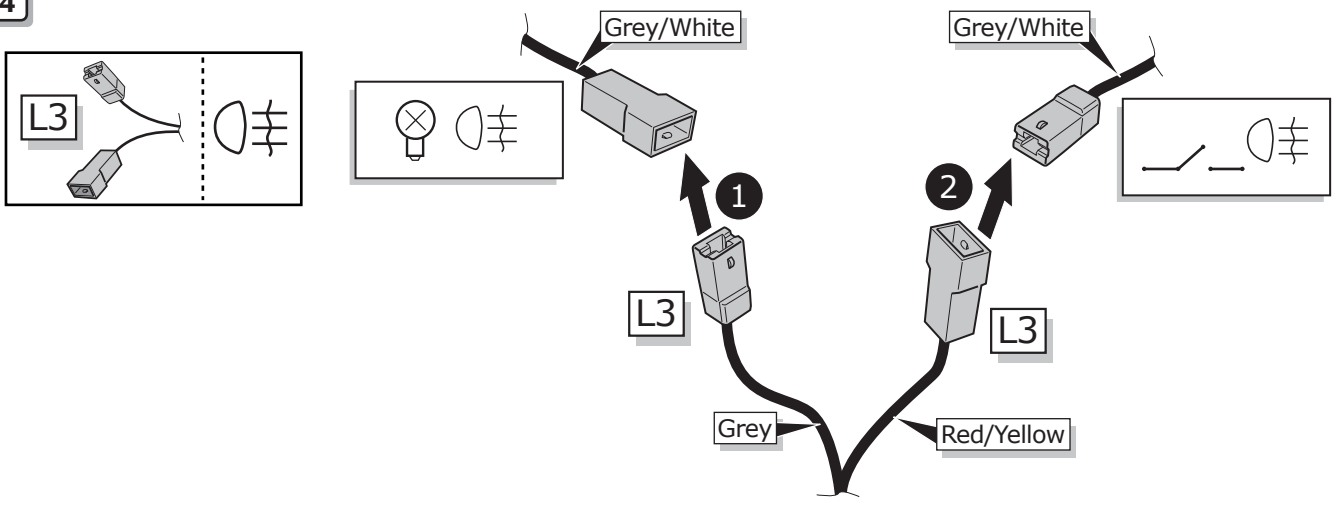


13

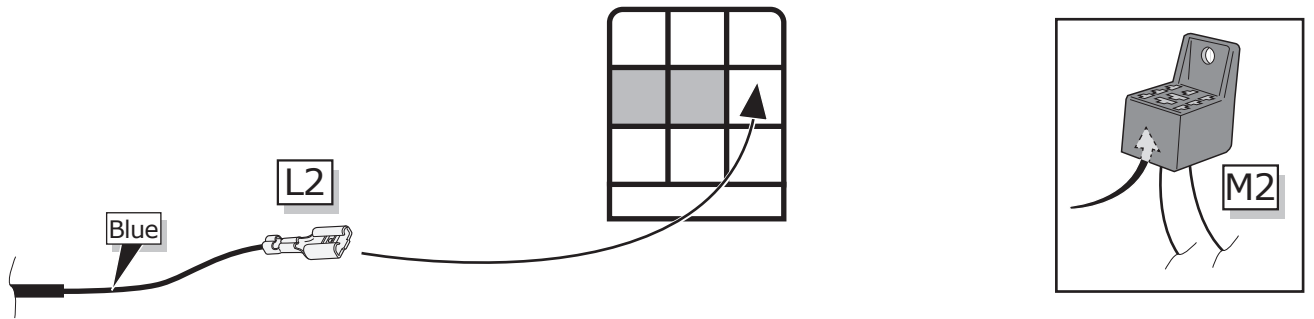


OPTION B for standard vehicles: fog lamp connection by relay

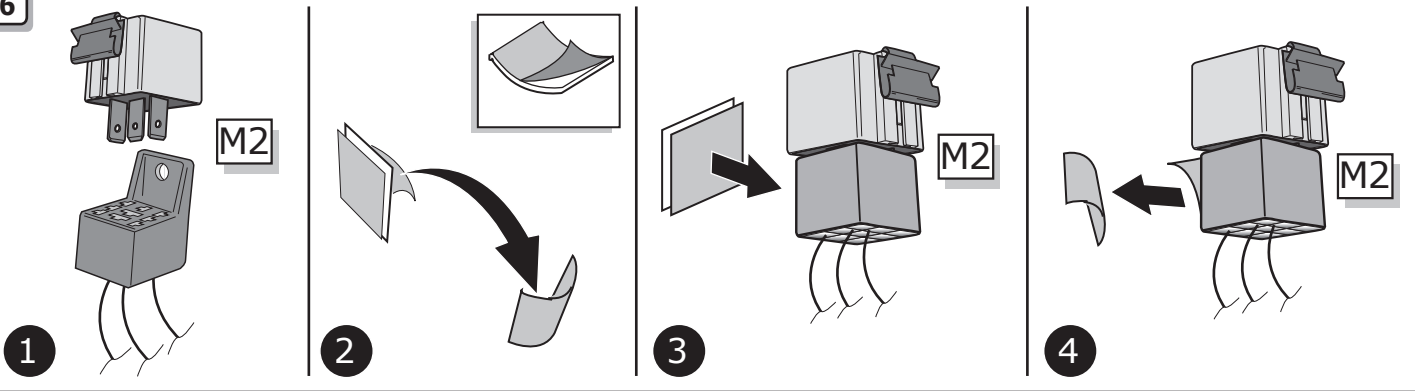
14



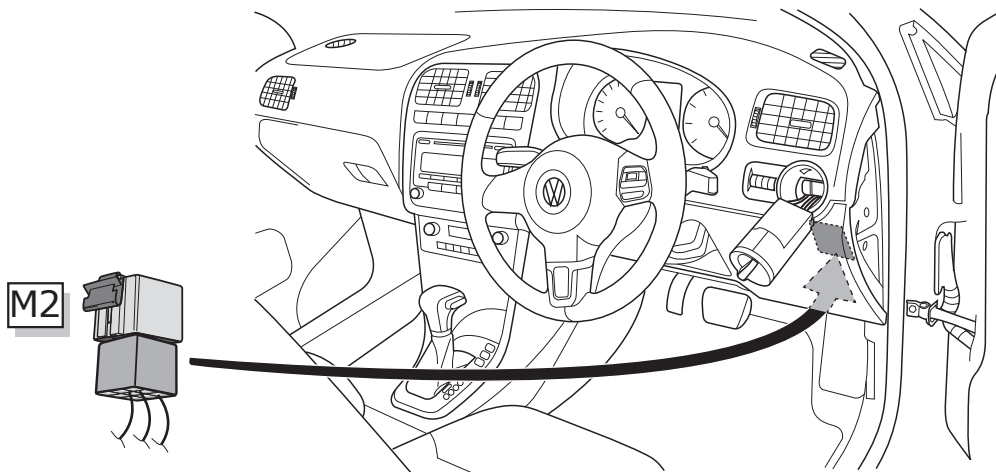
15



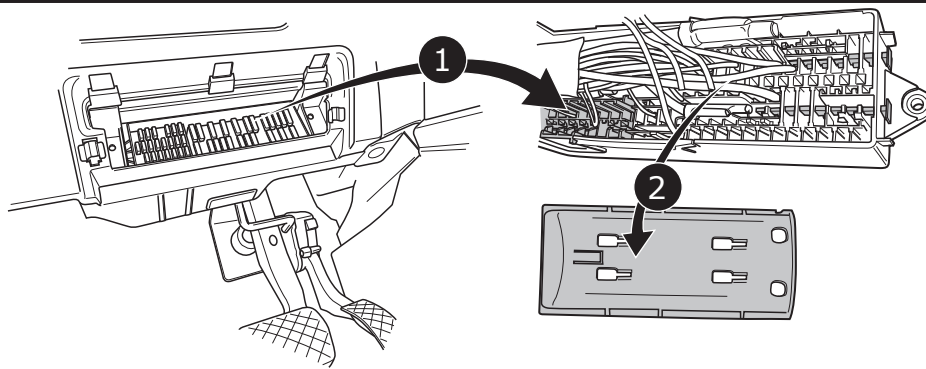
16



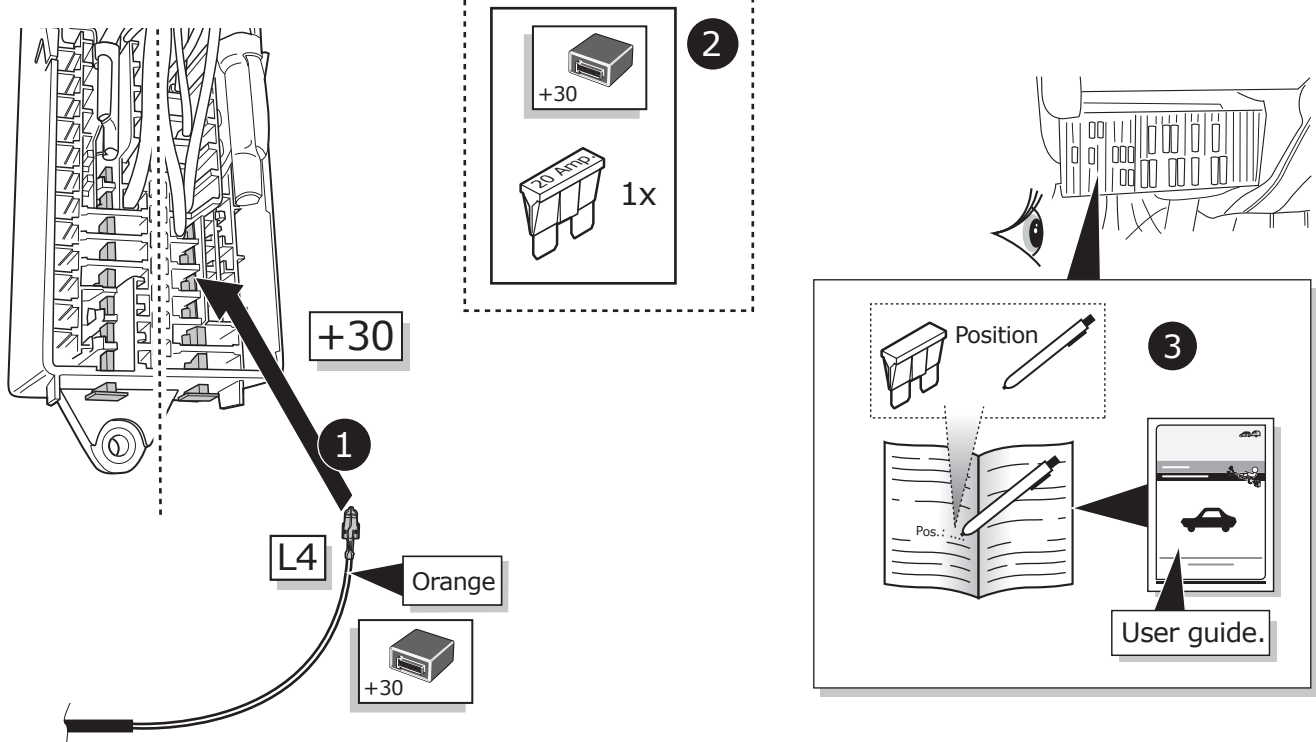
17



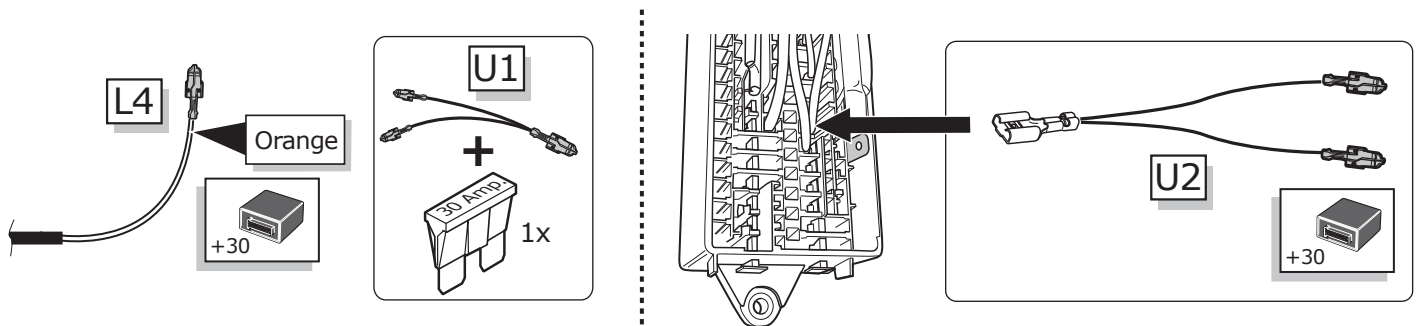
18



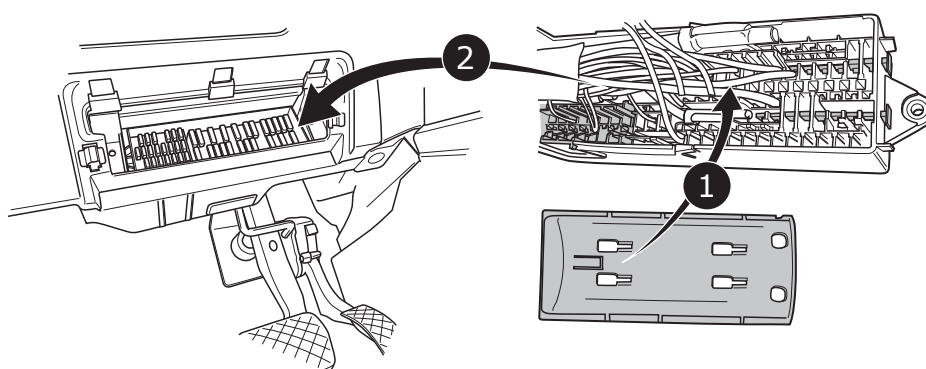
19



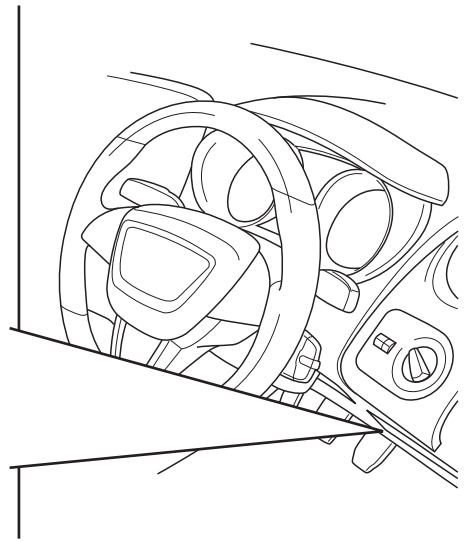
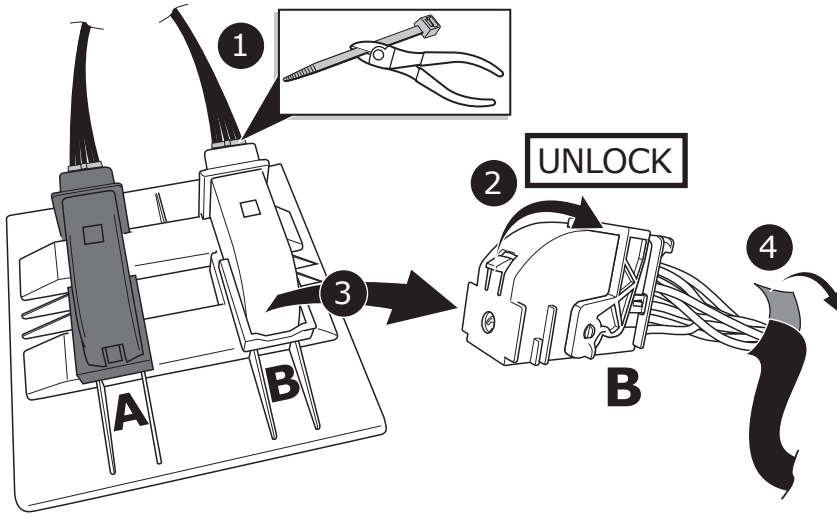
If Positions are taken:



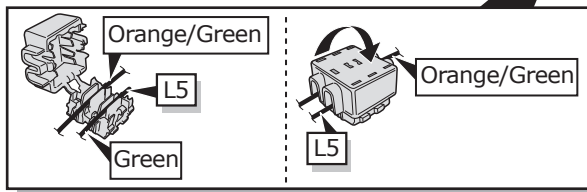
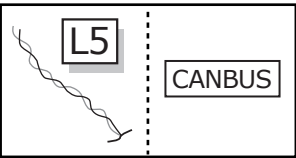
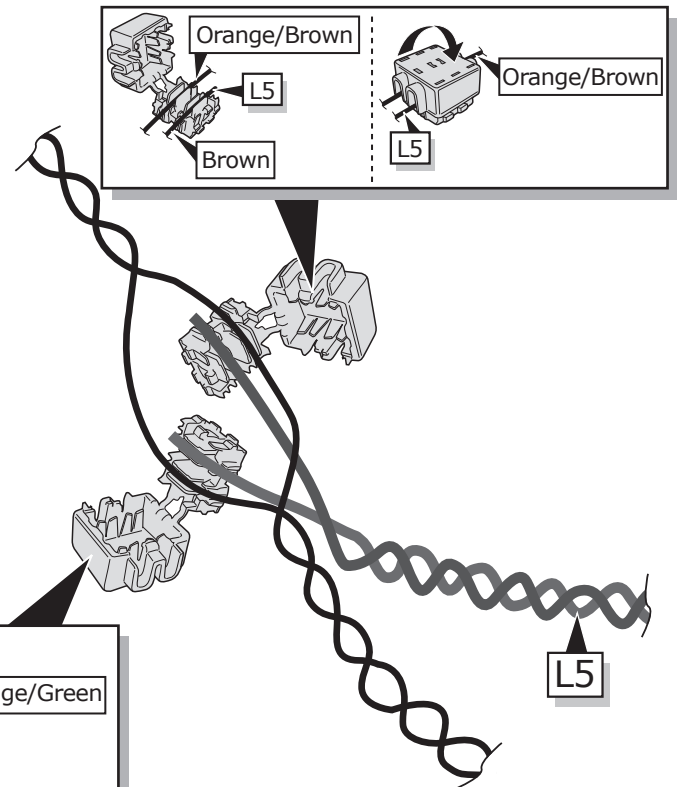
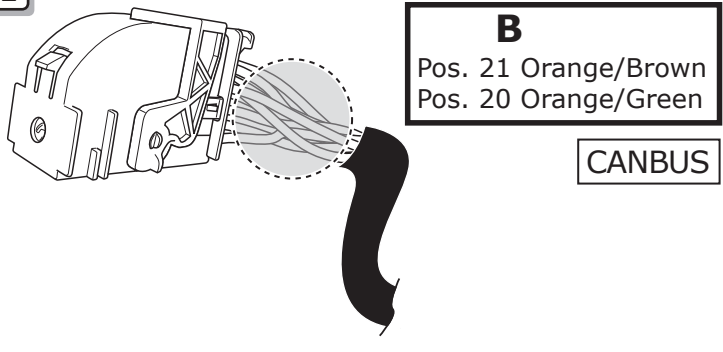
20



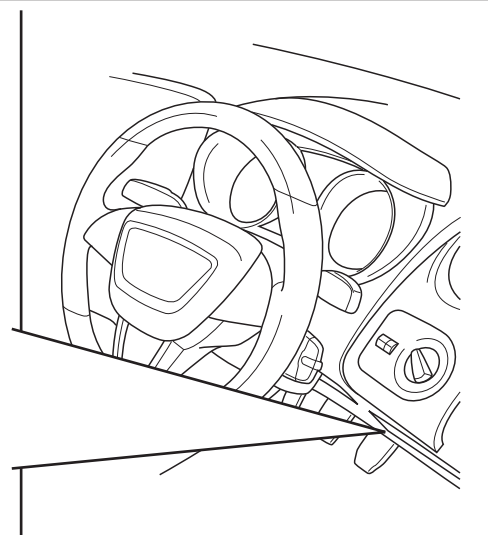
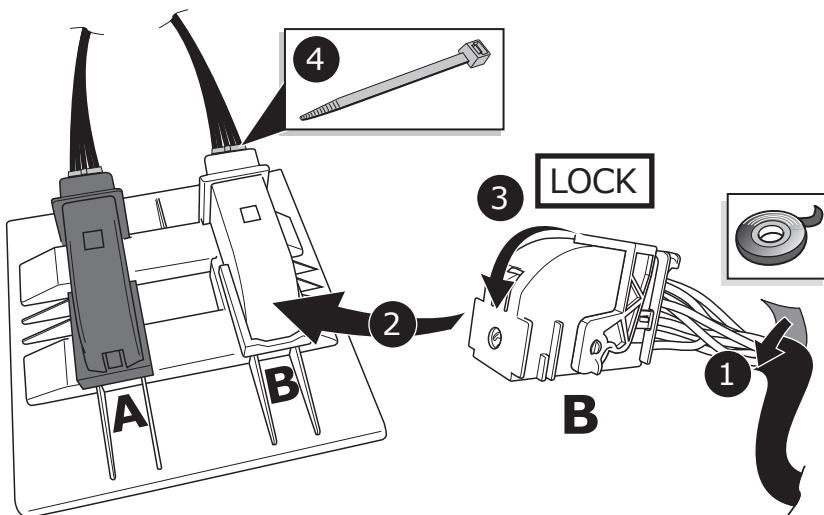
21



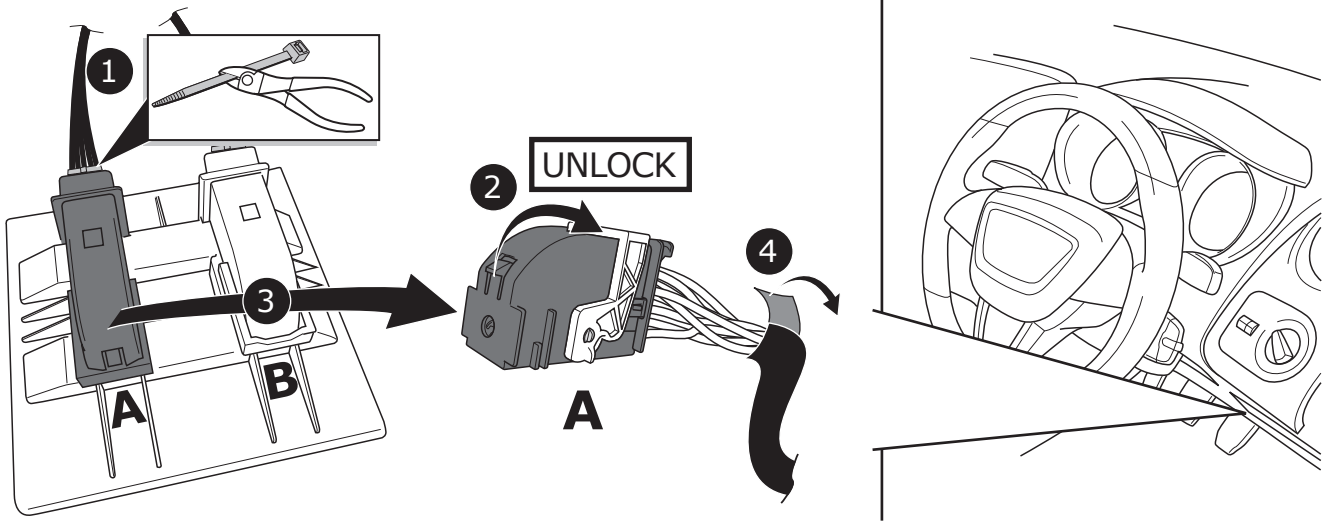
22



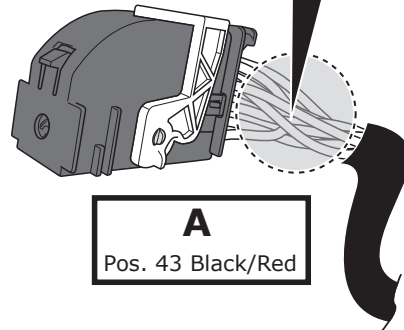
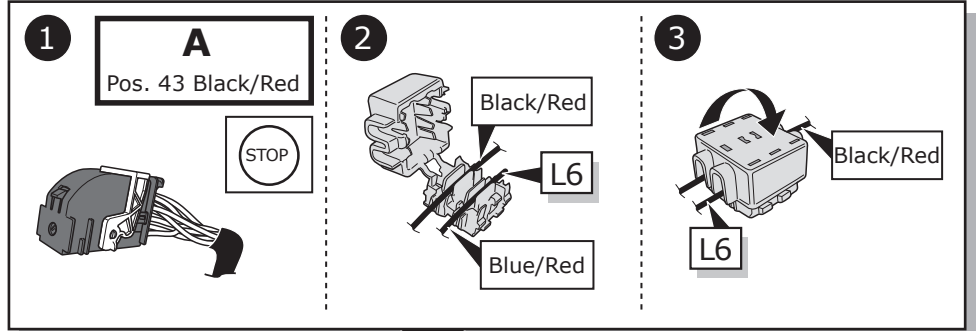
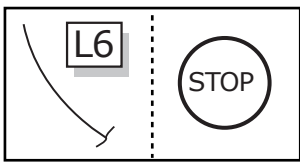
23



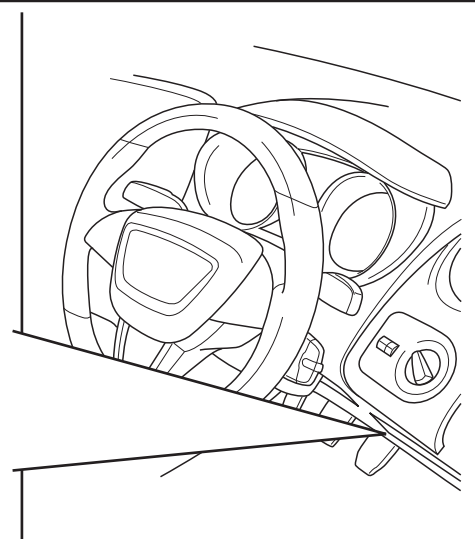
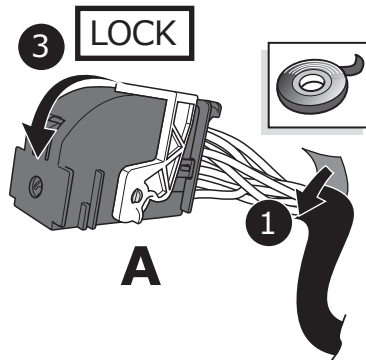
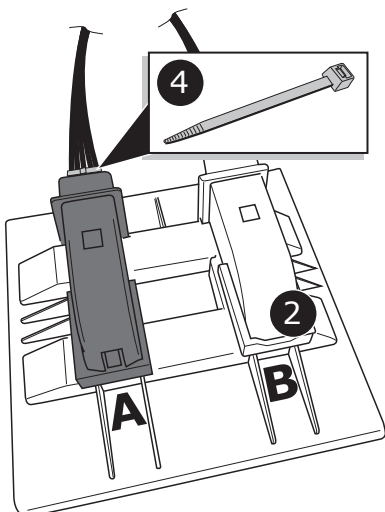
24



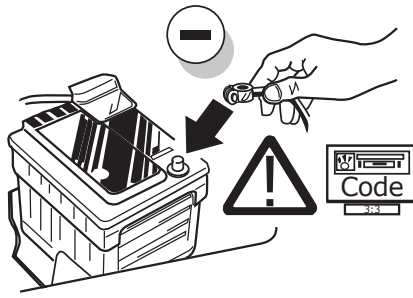
25



26



27



28

A VAG Service Tester must be used to code the vehicle's Gateway with the additional function for the towing hitch at the dealer.

29

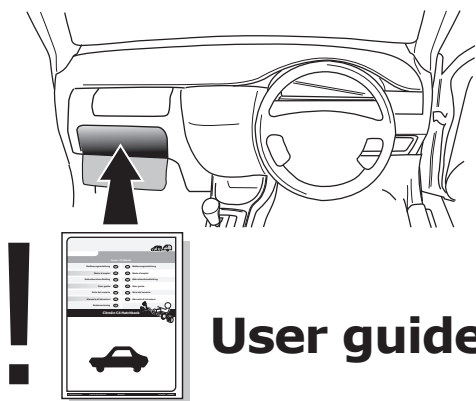


TEST ALL THE CIRCUITS WITH A TEST DEVICE WITH THE CORRECT POWER LOAD FOR EACH FUNCTION. A TEST DEVICE WITH LED'S CANNOT BE USED FOR THIS PURPOSE.

INFO

REINSTALL TRIM.





30



User guide

A graphic for technical support. It features a headset icon with the phone number 'CALL 07440 202 052'. A diagonal banner says 'TECHNICAL SUPPORT'. At the bottom, it lists the company name 'ECS ELECTRONICS', the contact hours 'MONDAY TO FRIDAY 08.00 - 11.00 am 12.00 - 05.00 pm', and the contact details 't.ekintur@ecs-electronics.com www.ecs-electronicsuk.co.uk'.

SOCKET CONNECTION

DIN/ISO 11446													
	1/L	2	3/31	4/R	5/58-R	6/54	7/58-L	8	9	10	11	12	13
Pmax	21W	21W		21W	42W	3x21W	42W	21W	180W/15Amp	180W/15Amp			
Colour	Black/ White	Blue	Brown	Black/ Green	Grey/ Red	Black/ Red	Grey/ Black	Black	Red	Yellow	Brown	-	Brown