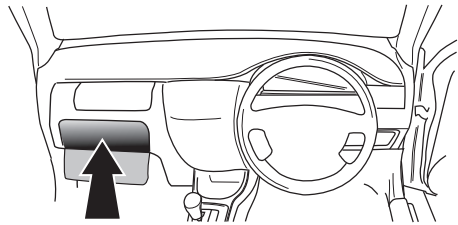
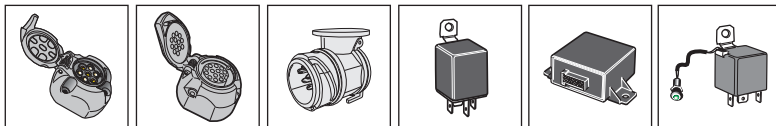


! INFO !

Do not charge the battery of the towing vehicle and/or towed vehicle directly via the socket.



User guide



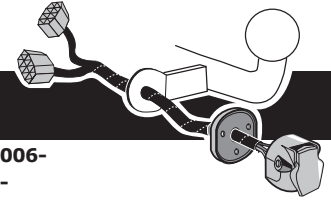
SPARE PARTS

www.ecs-electronicsuk.co.uk

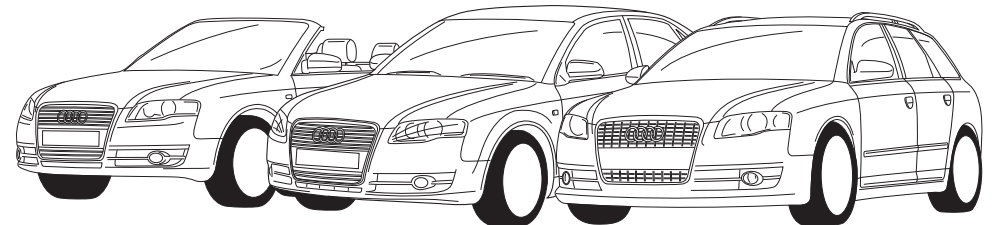
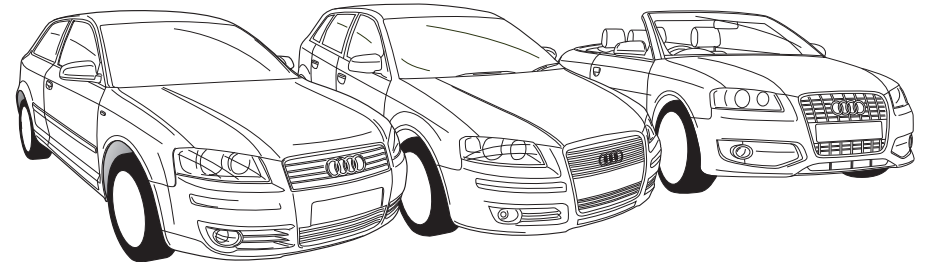


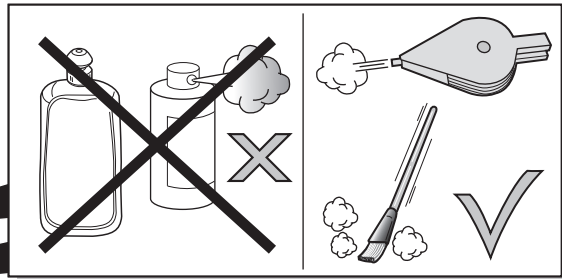
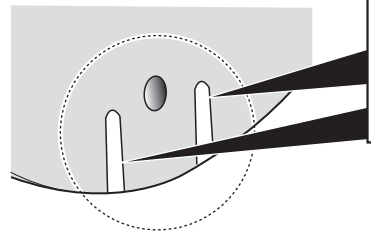
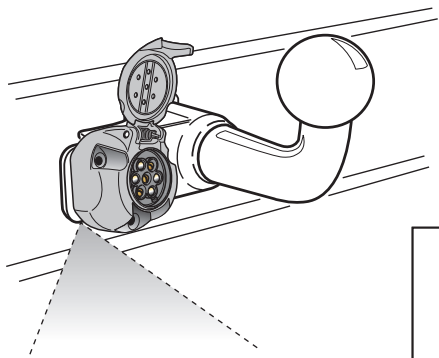
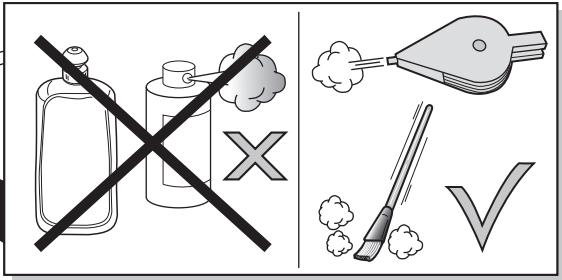
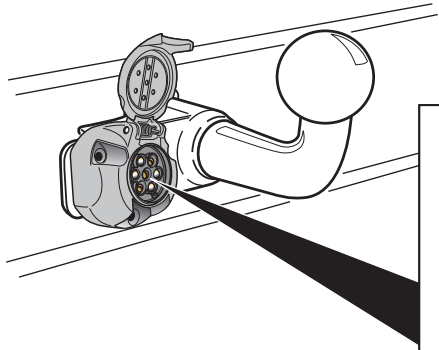
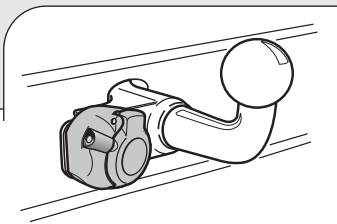
Partnr.: AU-037-B1U

User Guide



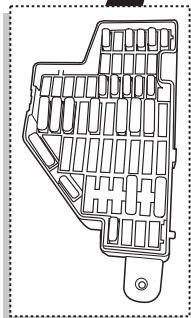
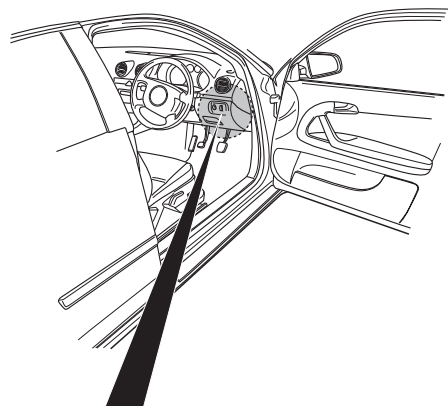
**Audi A4 Sedan (8EC) + A4 Avant (8ED) 2005- / A4 Cabrio (8HE) 2006-
Audi A3 (8P) + A3 Sportback (8PA) 2005- / A3 Cabrio (8P7) 2008-
Seat Exeo (3R) 2009- / Exeo ST (3R5) 2009-**





CHANGING THE FUSE

A3 / A3 Sportback / A3 Cabrio

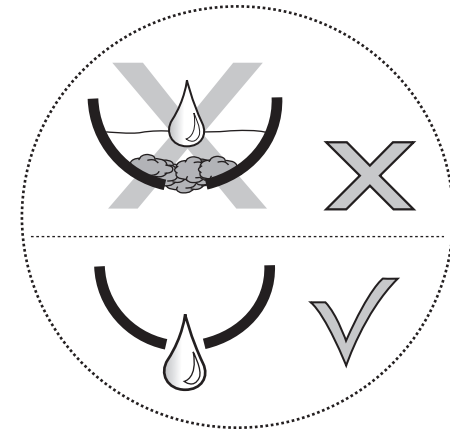
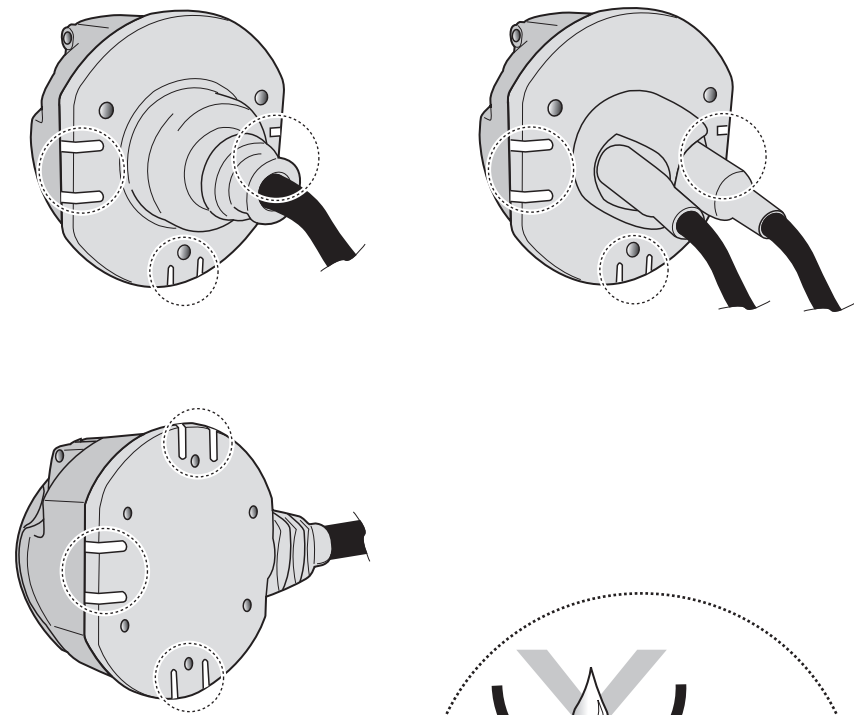
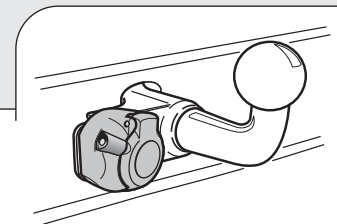


20 Amp.

Pos. 44

Orange

The diagram shows a 20 Amp fuse being inserted into a fuse holder. The holder is labeled "Pos. 44" and "Orange". A small icon of a fuse is shown next to the holder.



SOCKET CONNECTION

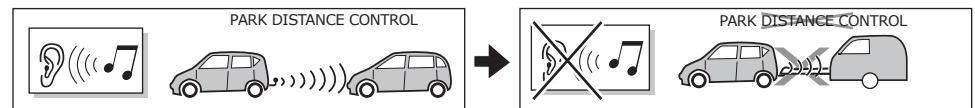
DIN/ISO 1724							
	1/L	2	3/31	4/R	5/58-R	6/54	7/58-L
Pmax	21W	21W		21W	42W	3x21W	42W
Colour	Black/White	Blue	Brown	Black/Green	Grey/Red	Black/Red	Grey/Black



In a coupled trailer with working fog lamp, the fog lamp of the vehicle will be switched off, if applicable.



The flashing lights on the trailer are monitored. If one of the indicators of the trailer breaks down, a buzzer will be audible and/or a visual signal will be visible on the dashboard. Check the flashing lights on the trailer.

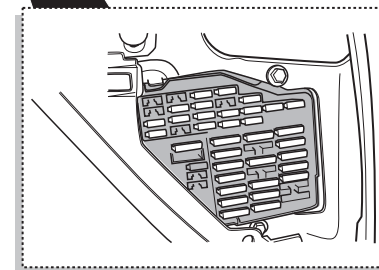
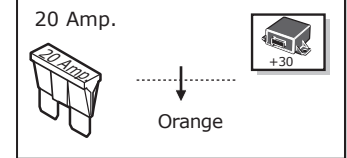
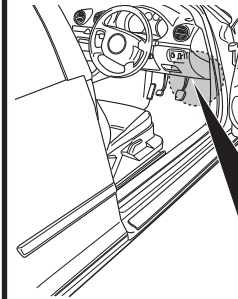


The wiring kit has a possibility to switch off any Park Distance Control in the case of a coupled trailer.

CHANGING THE FUSE

A4 Sedan / A4 Cabrio / A4 Avant / Exeo / Exeo ST

OPTION 1



A4 Sedan / A4 Cabrio / A4 Avant / Exeo / Exeo ST

OPTION 2

