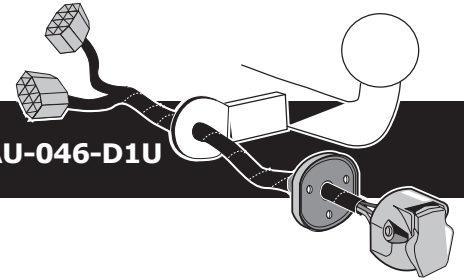


**Audi A3 3D 2013 - 05/2014**  
**Audi A3 Sportback 2013 - 05/2014**  
**Audi A3 Limo 2014 - 05/2014**

**Only for models without towbar prepared connector**

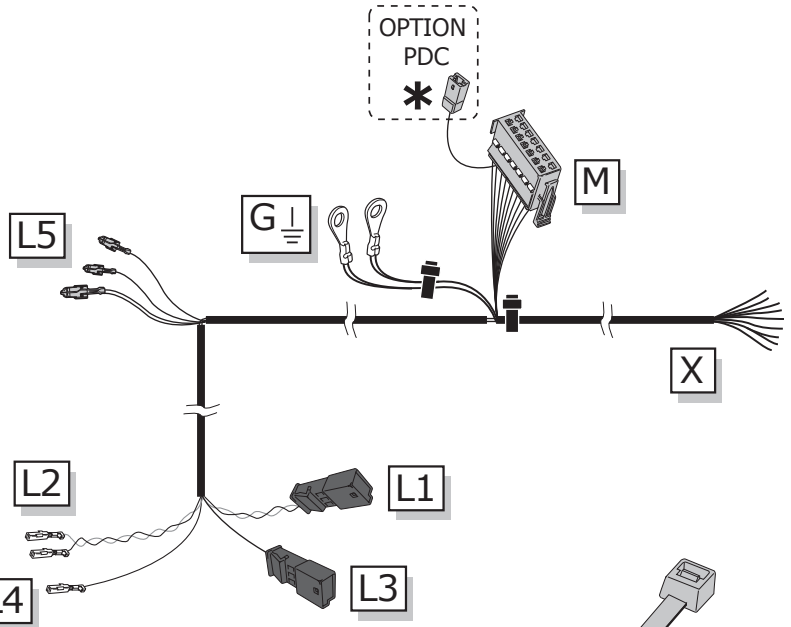
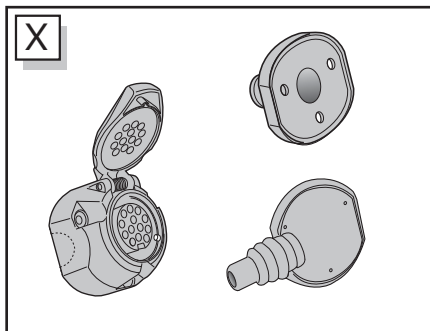
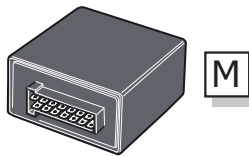
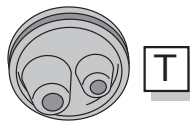
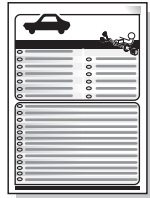
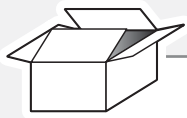
**Partnr.: AU-046-D1U**



- Fitting instructions electric wiring kit tow bar with 13-P socket up to DIN/ISO Norm 11446.
- We would expressly point out that assembly not carried out properly by a competent installer will result in cancellation of any right to damage compensation, in particular those arising by virtue of the product liability act.
- Contents of these kits and their fitting manuals are subject to alteration without notice, please ensure that these instructions are read and fully understood before commencing installation.
- Do not overload circuits; the maximum loads per connection are detailed in this manual.
- Attention! Before Installation, please read this manual carefully and inform your customer to consult the vehicle owners manual to check for any vehicle modifications required before towing.
- In the event of functional problems, troubleshooting must be limited to about 0.5 hours, contact the technical support:  
[ukts@ecs-electronics.com](mailto:ukts@ecs-electronics.com) / 07440 202 052.



# Part list



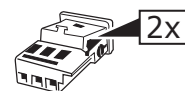
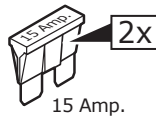
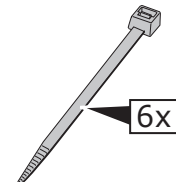
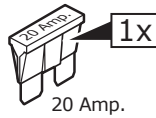
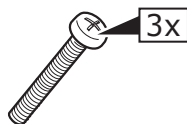
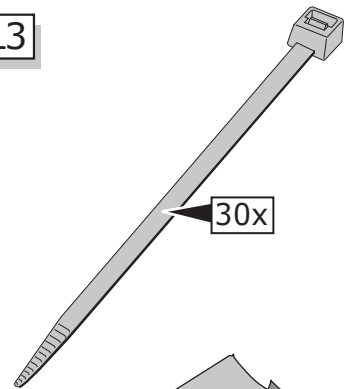
**Option P.D.C. \***

PARK DISTANCE CONTROL

↓

PARK DISTANCE CONTROL

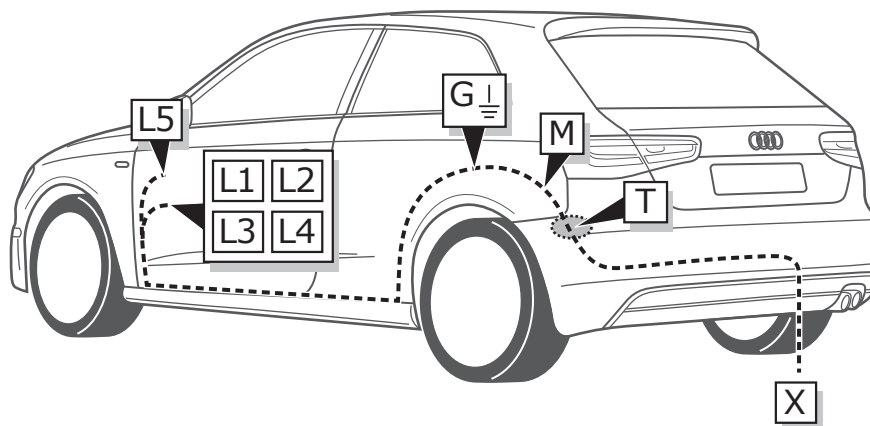
For not OEM P.D.C. System  
use the: VW-083-ZZ



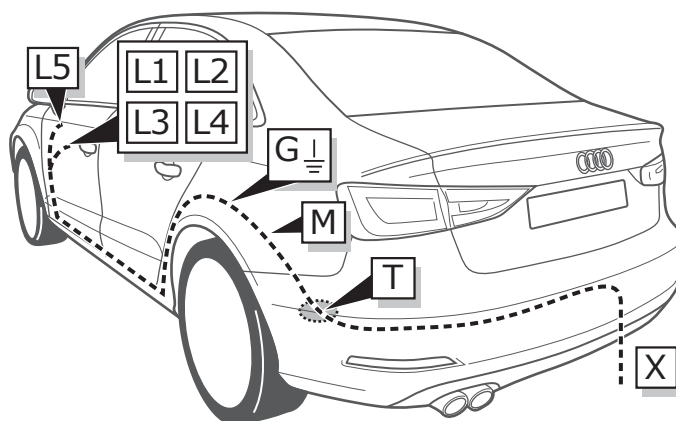
ROUTING

A3 3D

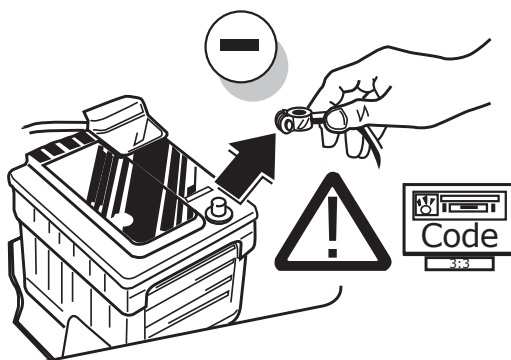
A3 Sportback



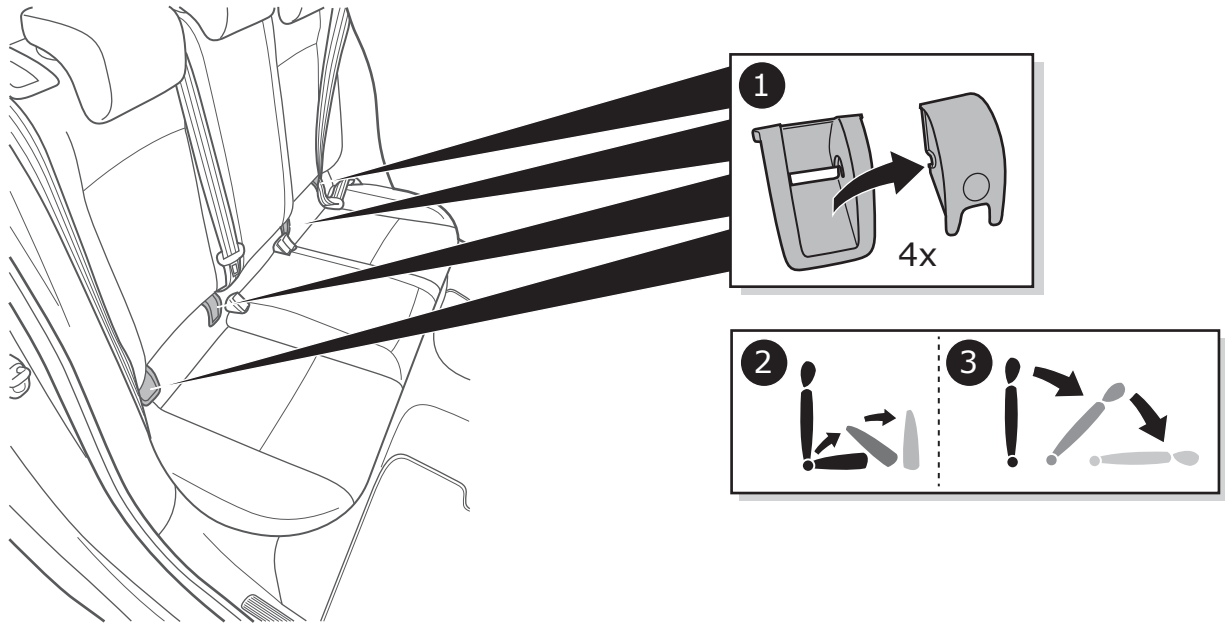
A3 Limo



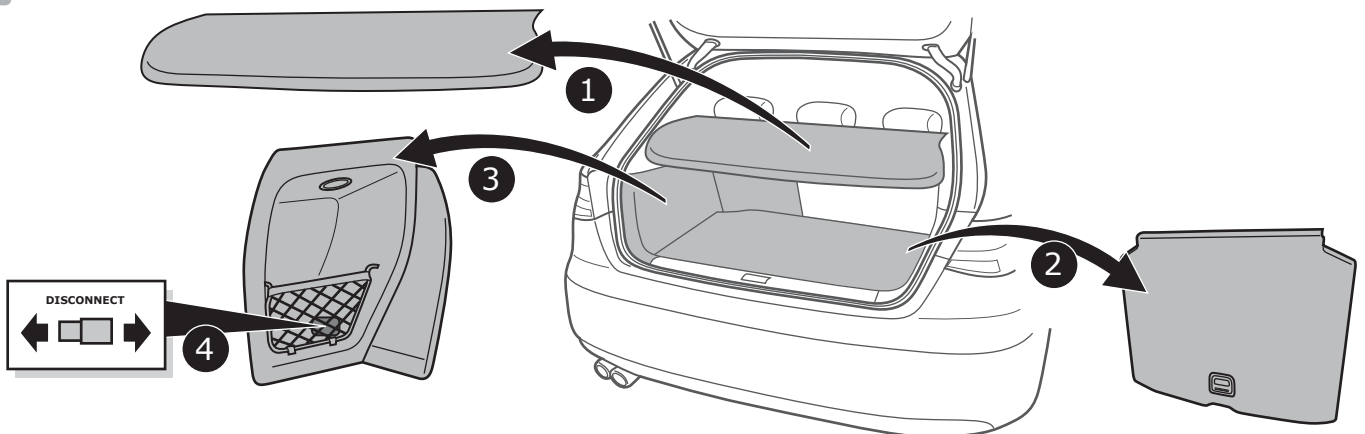
1



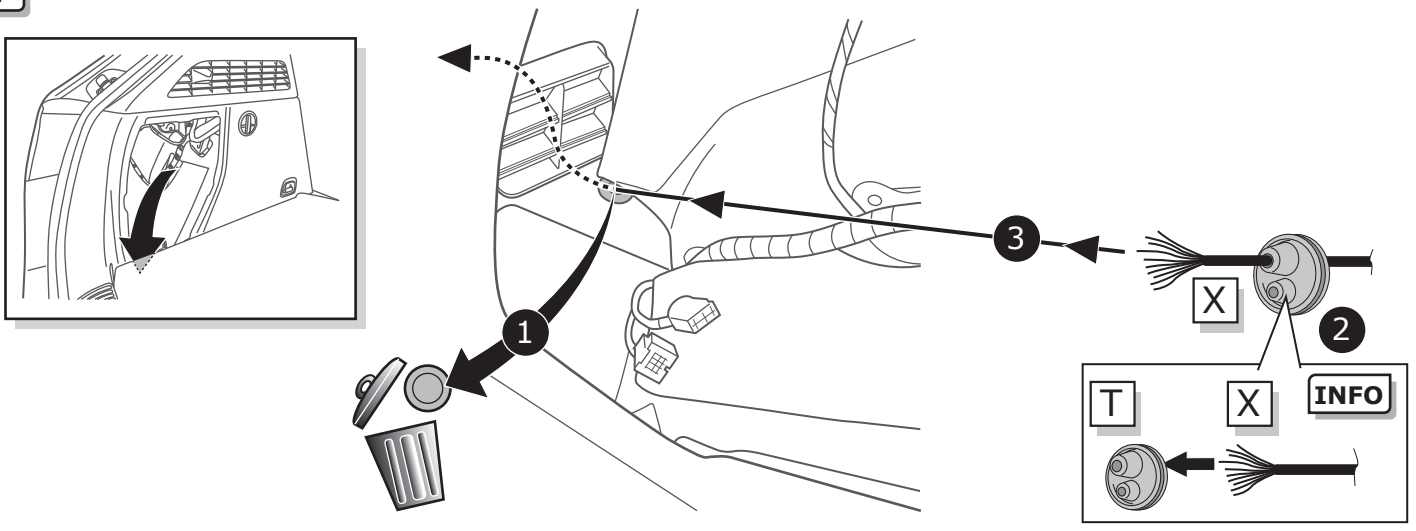
2



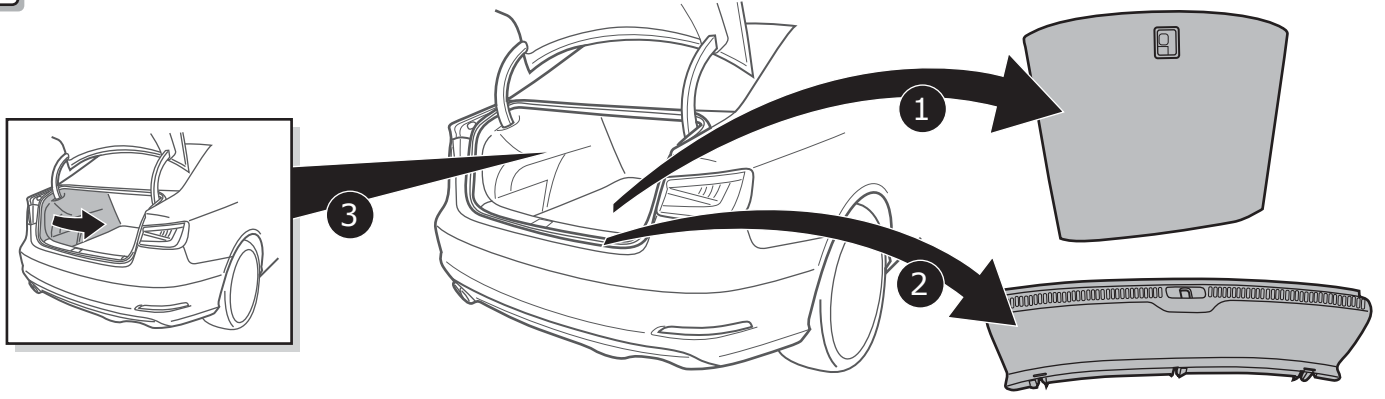
3



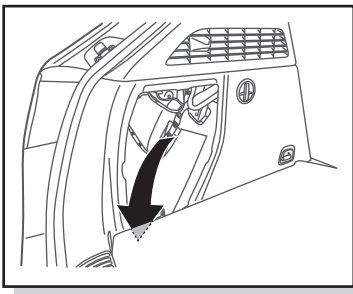
4



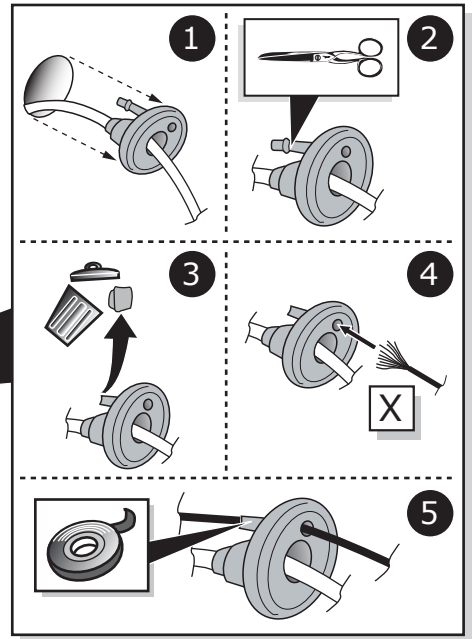
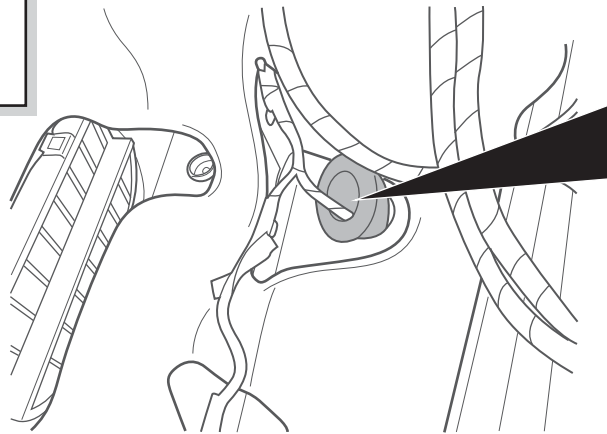
5



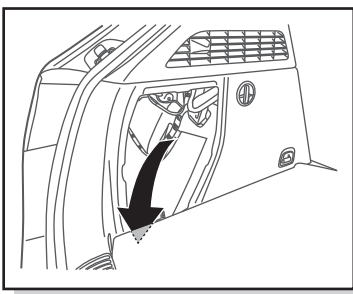
6



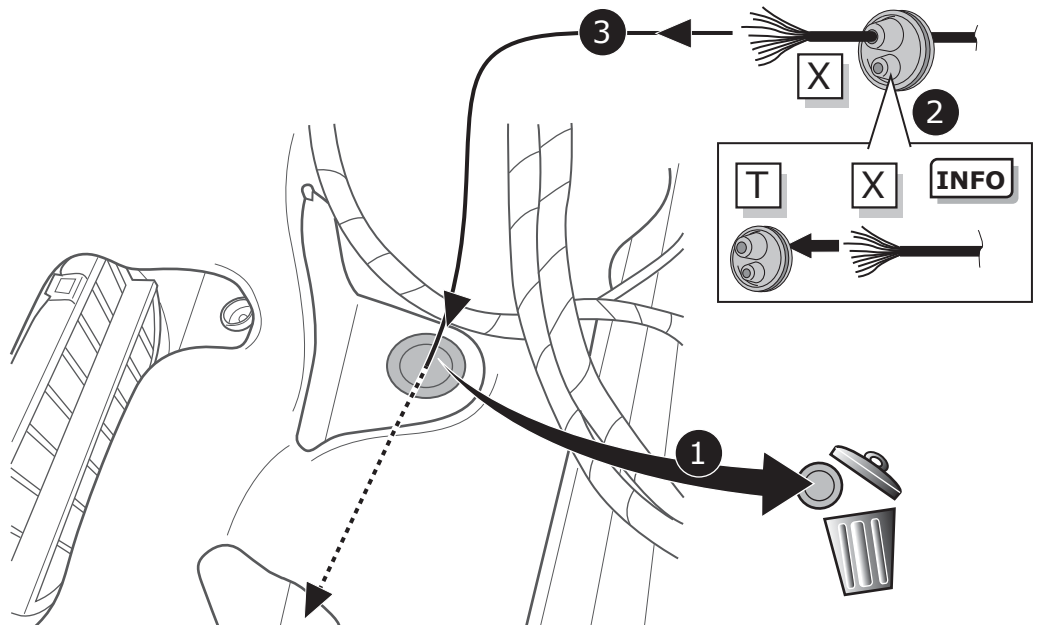
Option 1

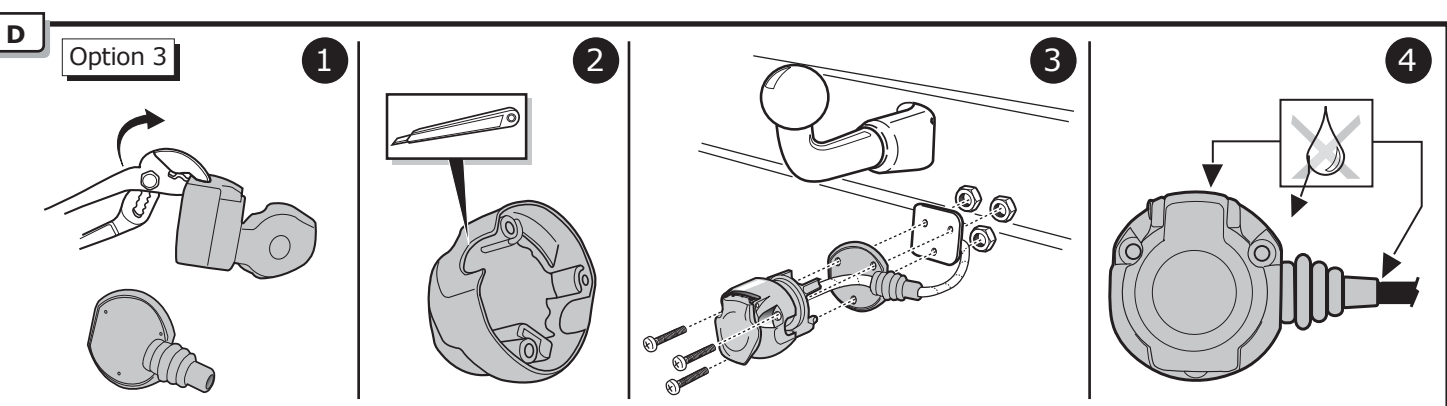
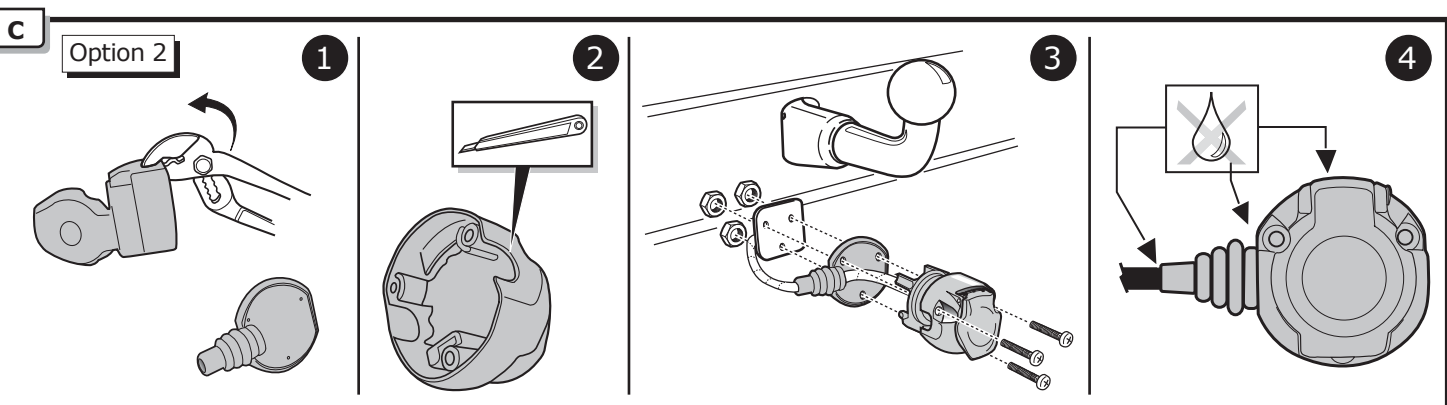
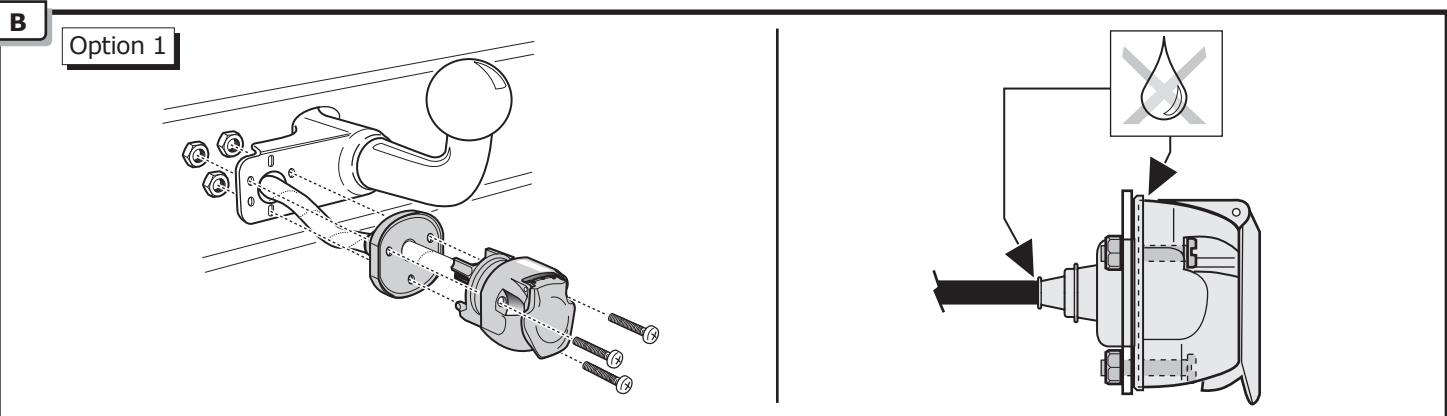
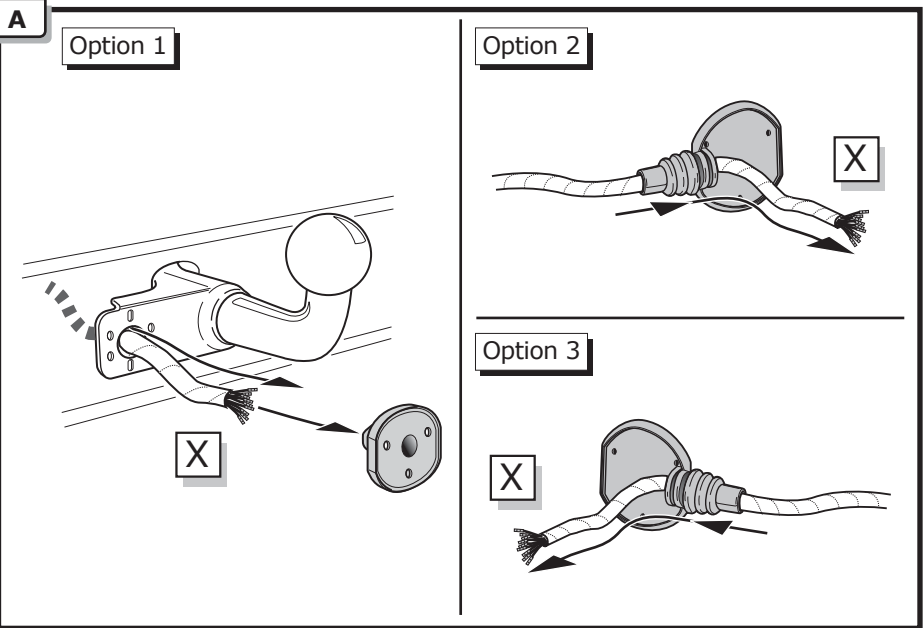


7

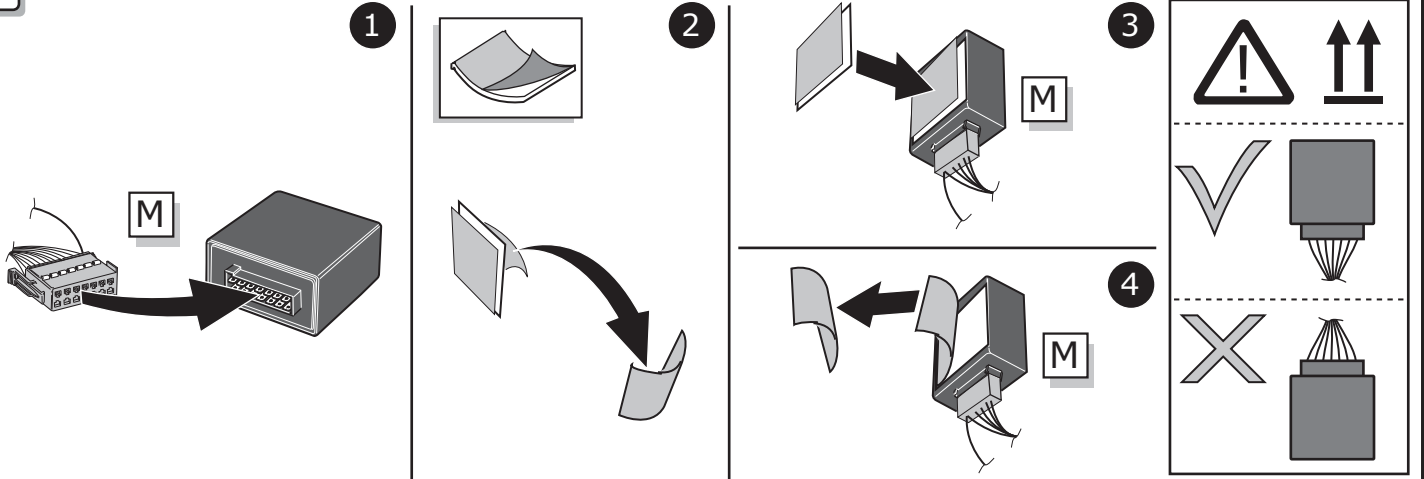


Option 2

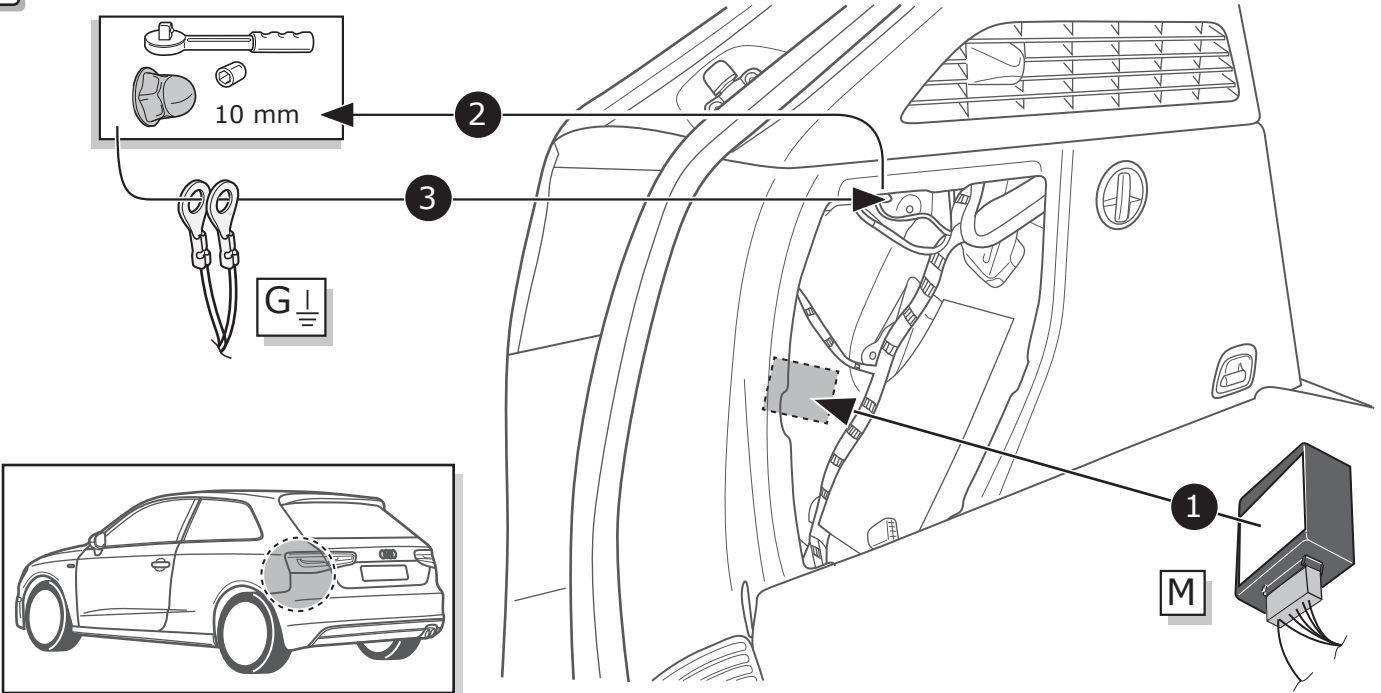




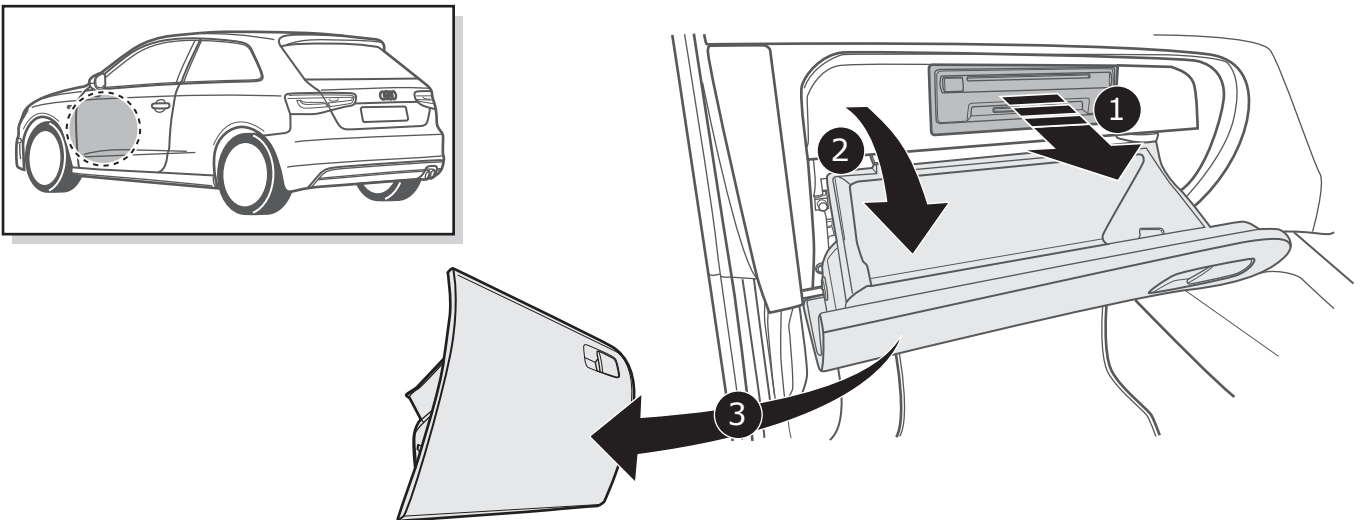
8



9

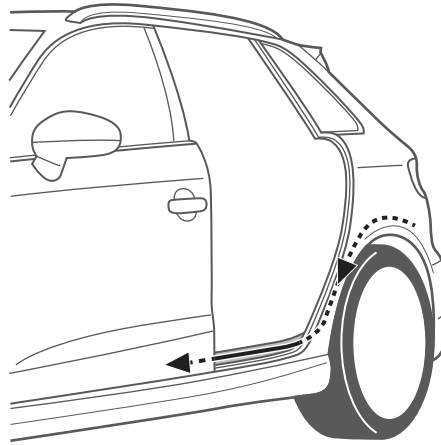


10

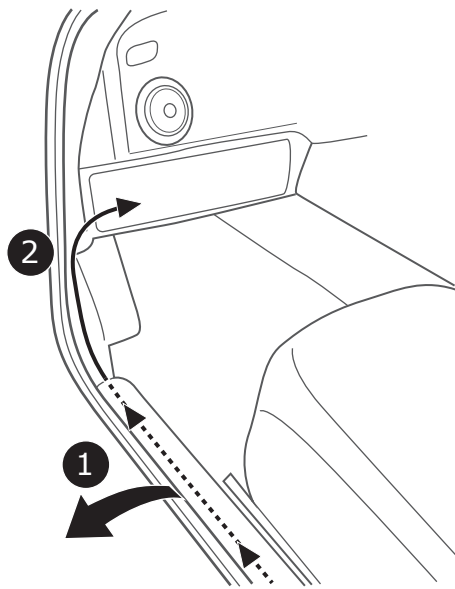


# A3 Sportback

11

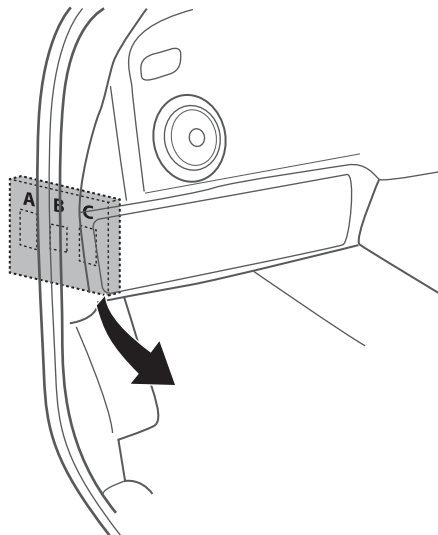
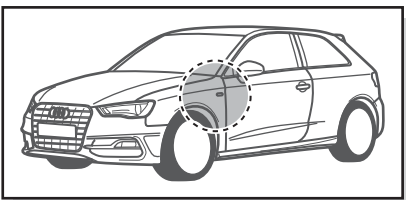


12



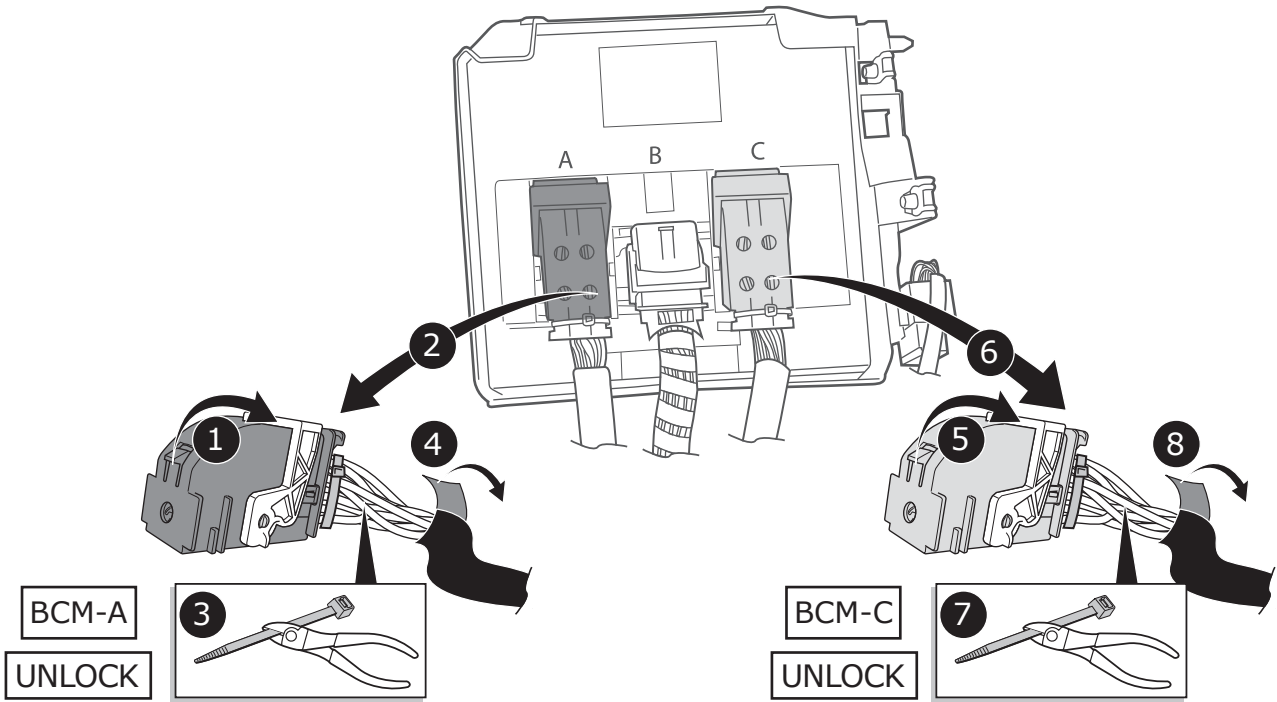
# A3 3D / Sportback / Limo

13

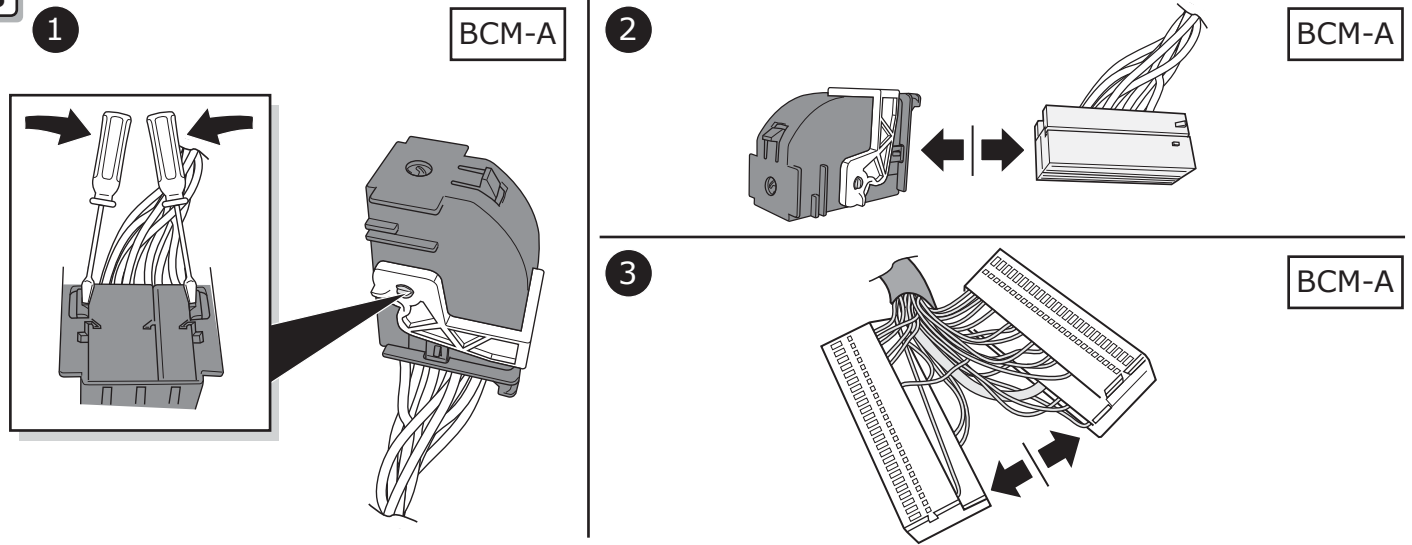




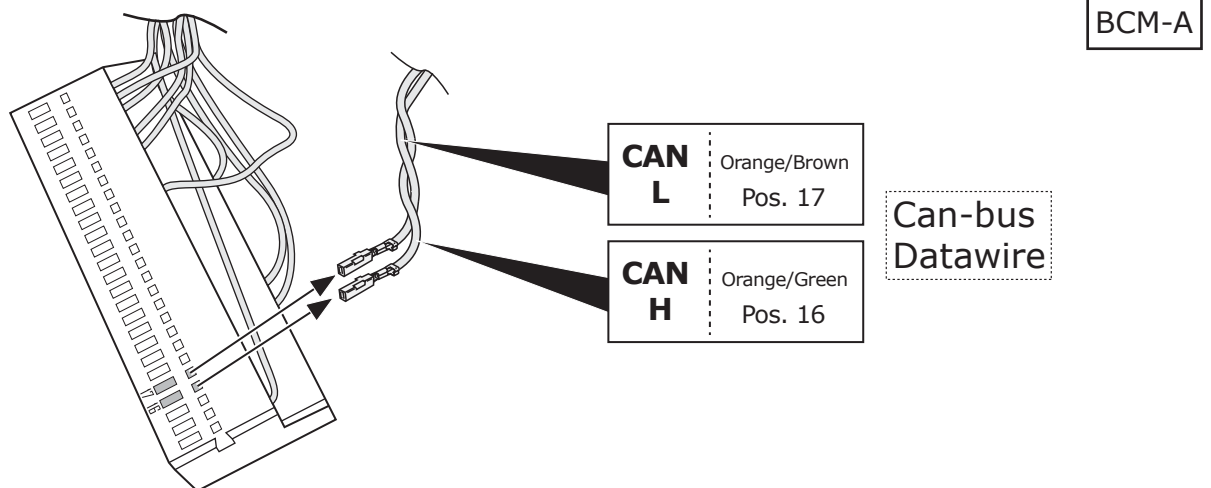
14



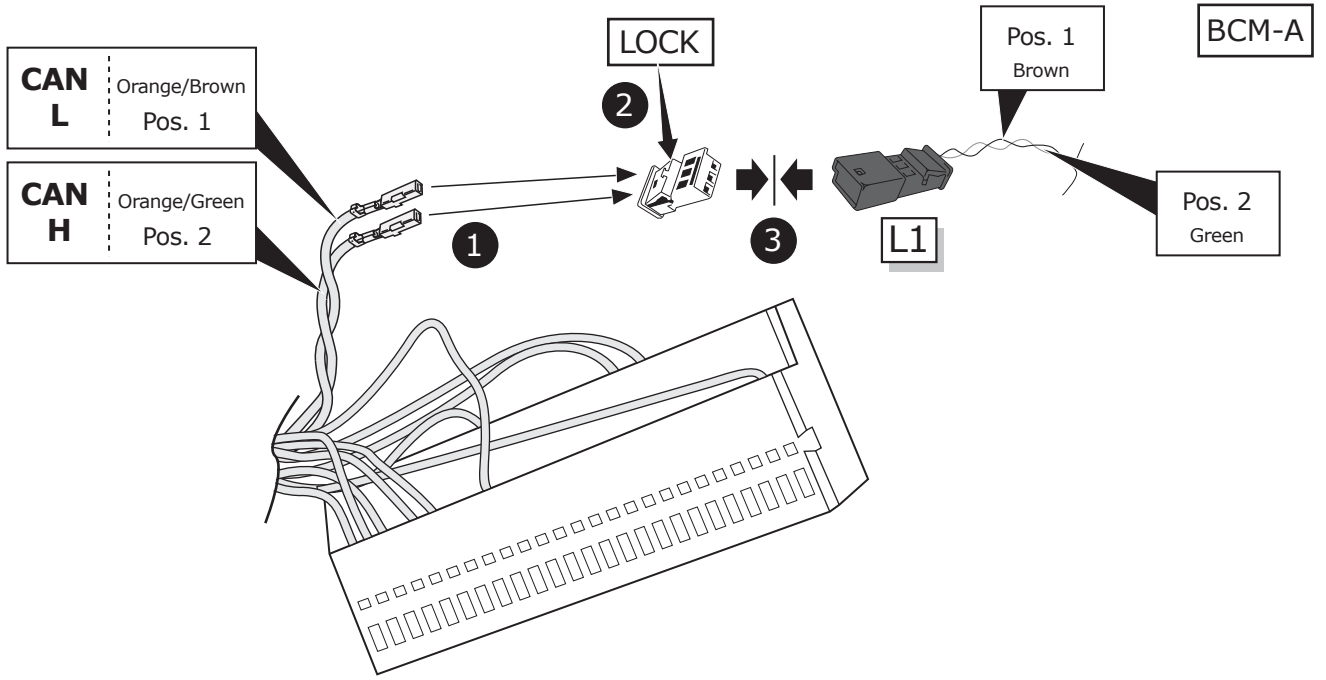
15



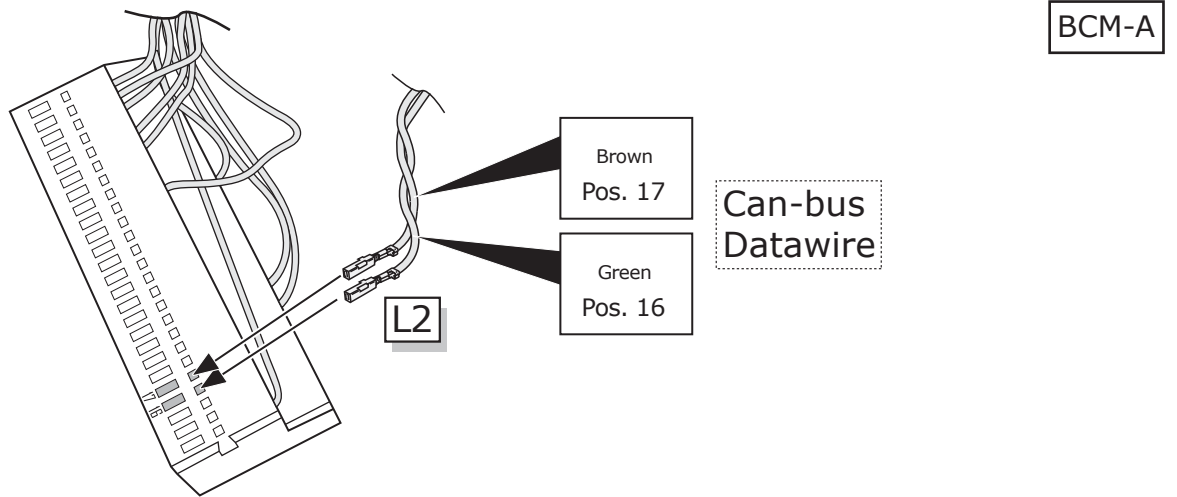
16



17

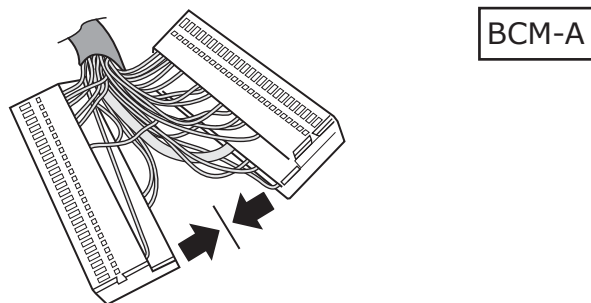


18

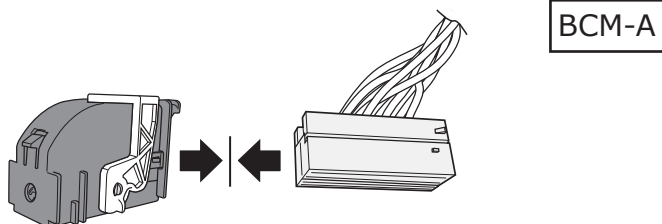


19

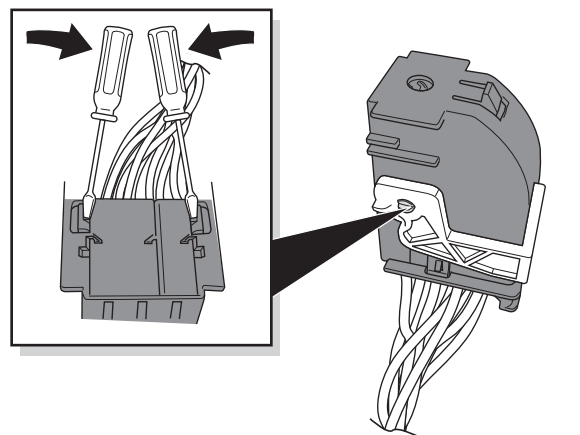
1



2



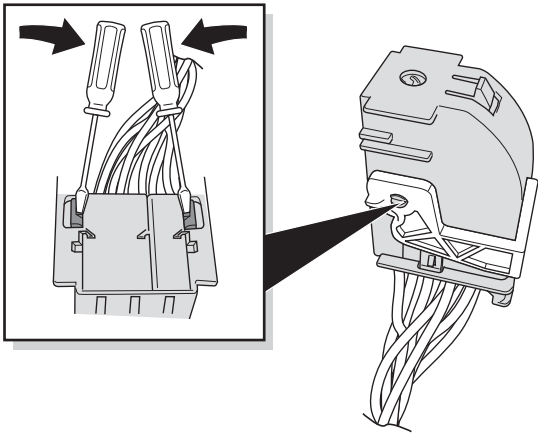
3



20

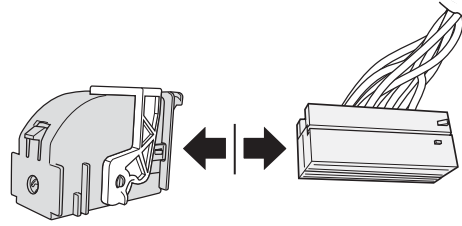
1

BCM-C



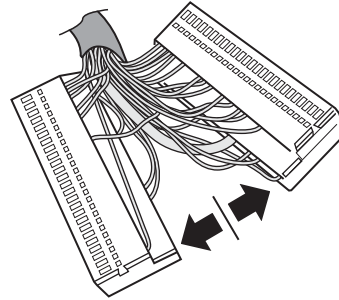
2

BCM-C



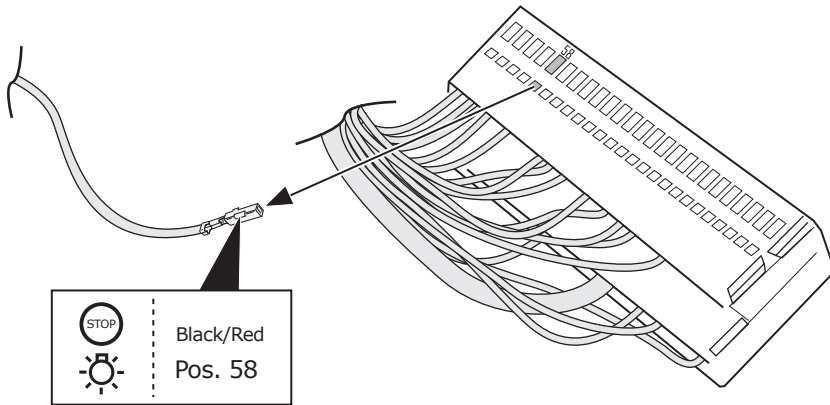
3

BCM-C



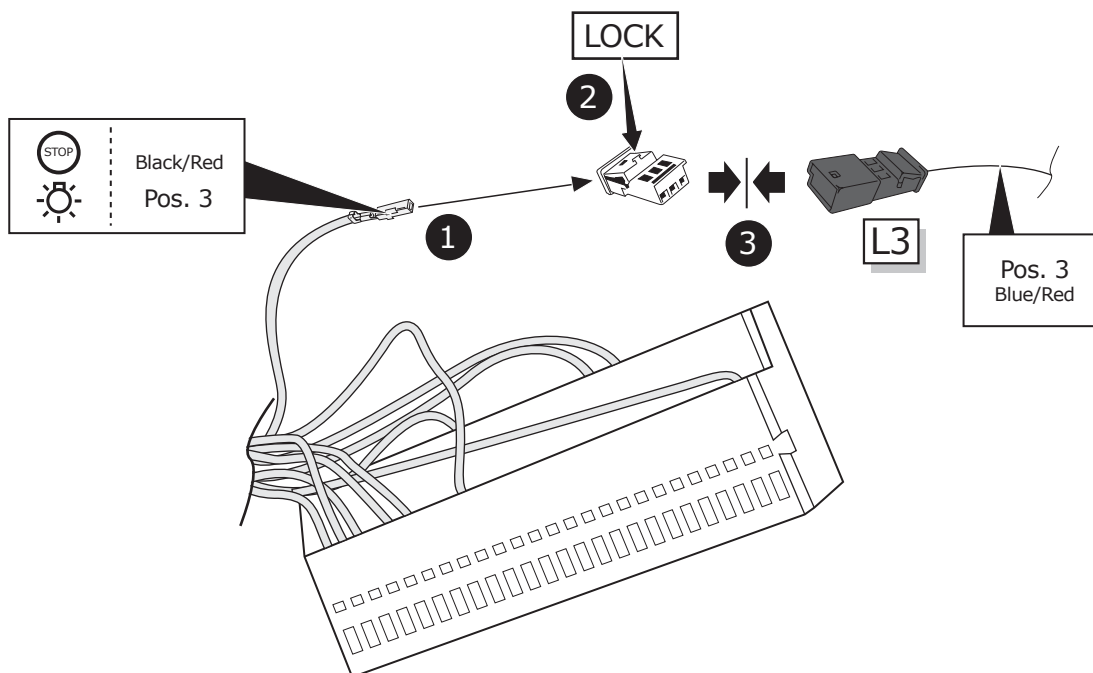
21

BCM-C



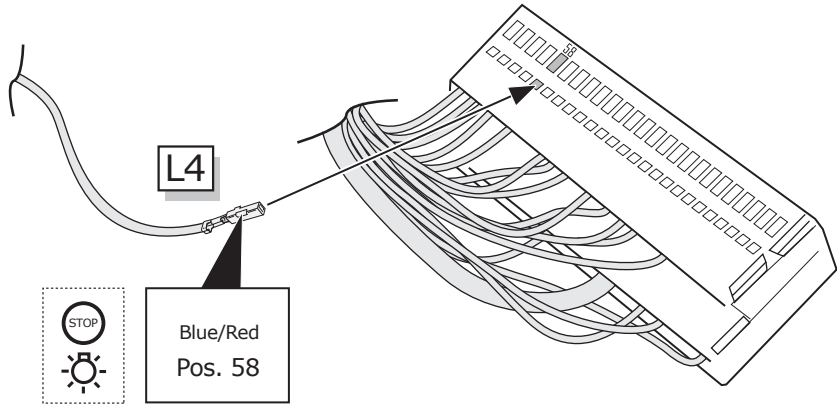
22

BCM-C



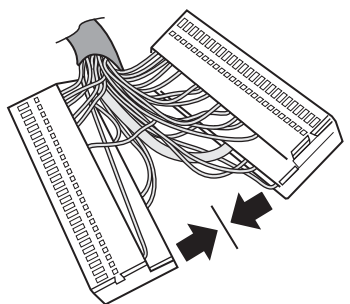
23

BCM-C

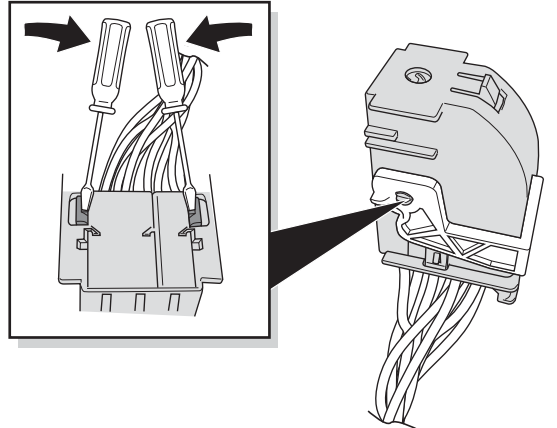


24

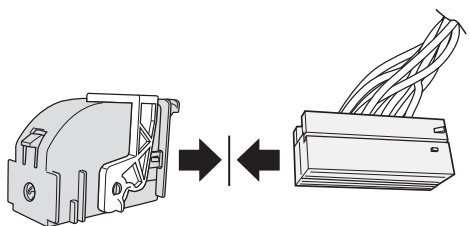
1



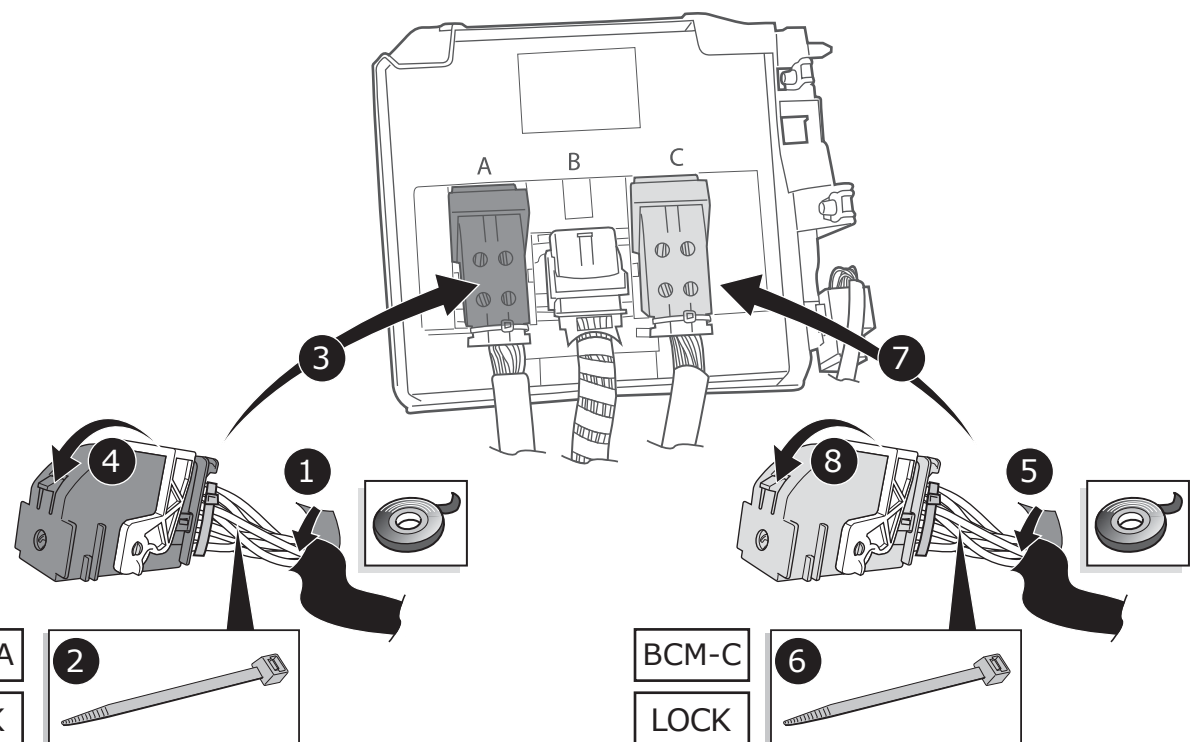
3



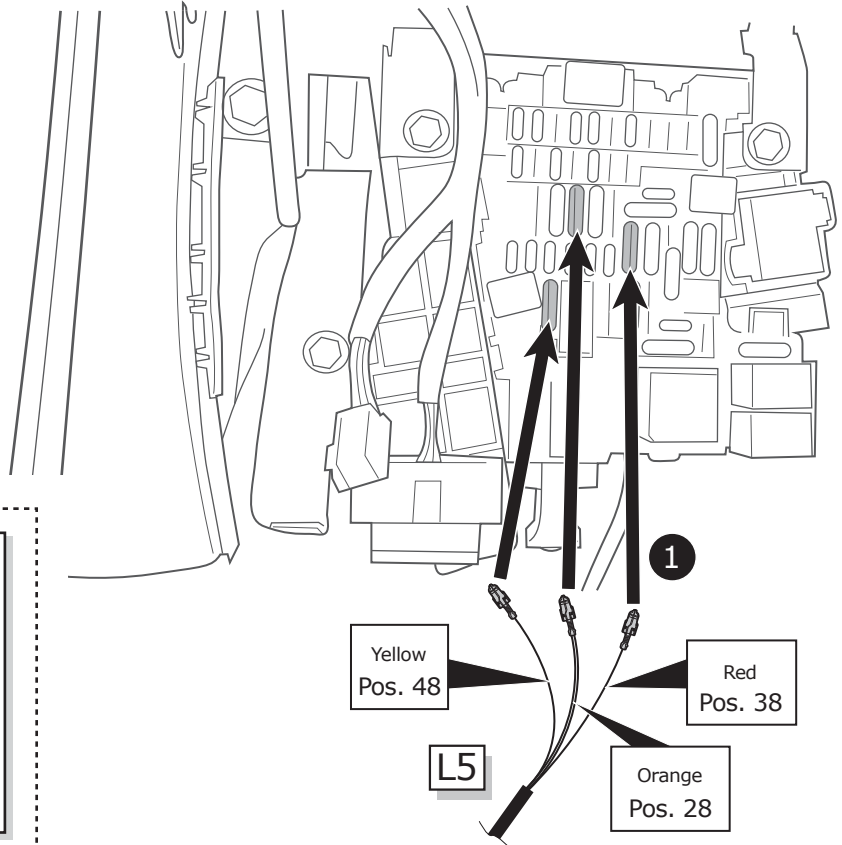
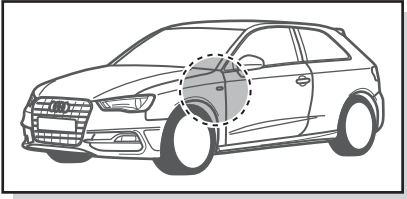
2




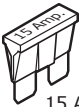
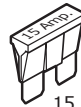
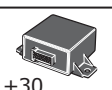
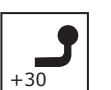

25



26

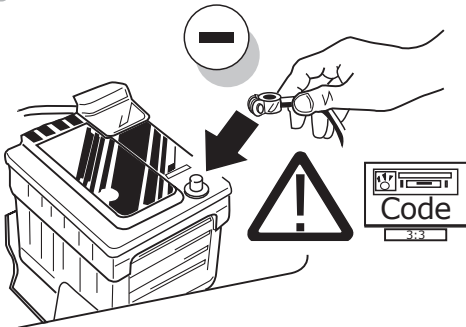


2

 <p>20 Amp.</p>	 <p>15 Amp.</p>	 <p>15 Amp.</p>
Pos. 28	Pos. 38	Pos. 48
 <p>+30</p>	 <p>+30</p>	 <p>+15</p>

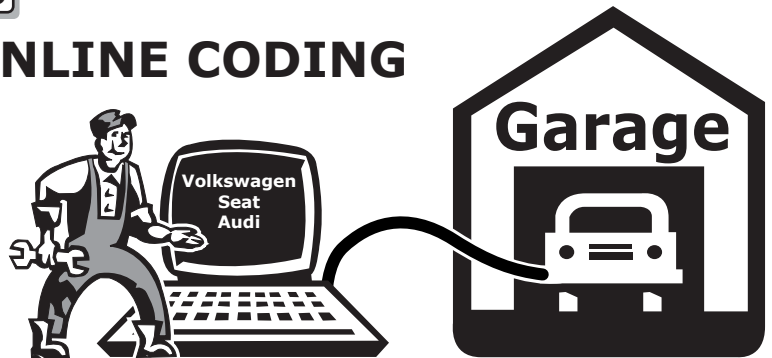
A3 3D / Sportback / Limo

27



INFO

ONLINE CODING



INFO

Warning! It must be ensured that all the requirements of the vehicle manufacturer for changes to and retro-fitting on the vehicle and/or cooling system for the operation with a trailer are carried out. Subject to change.

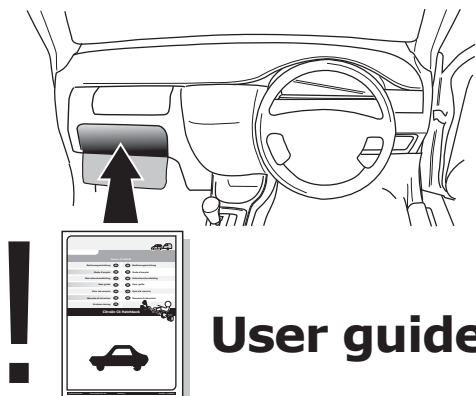
28

TEST ALL THE CIRCUITS WITH A TEST DEVICE WITH THE CORRECT POWER LOAD FOR EACH FUNCTION. A TEST DEVICE WITH LED'S CANNOT BE USED FOR THIS PURPOSE.

INFO

REINSTALL TRIM.

29



User guide



INFO

SOCKET CONNECTION

DIN/ISO 11446													
	1/L	2	3/31	4/R	5/58-R	6/54	7/58-L	8	9	10	11	12	13
Pmax	21W	21W		21W	42W	3x21W	42W	21W	180W/15Amp	180W/15Amp			
Colour	Black/White	Blue	Brown	Black/Green	Grey/Red	Black/Red	Grey/Black	Black	Red	Yellow	Brown	-	Brown