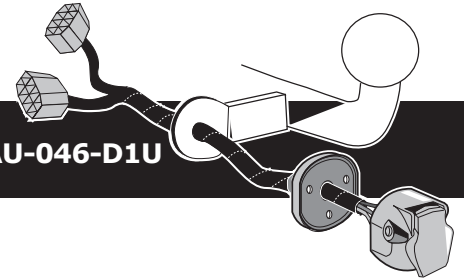


**Skoda Octavia Limo 2013 - 05/2014**  
**Skoda Octavia Combi 2014 - 05/2014**



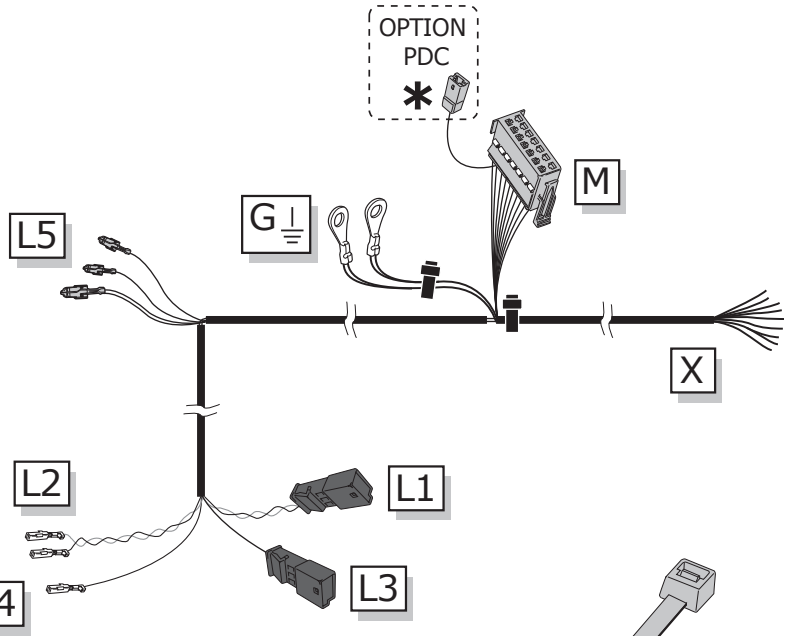
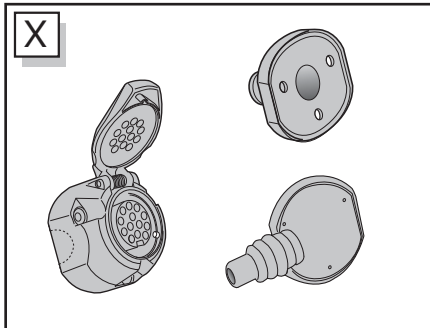
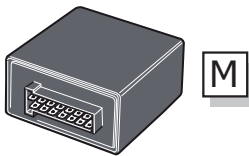
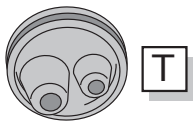
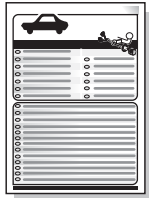
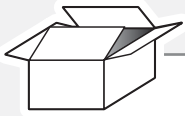
Only for models without towbar prepared connector

Partnr.: AU-046-D1U

- Fitting instructions electric wiring kit tow bar with 13-P socket up to DIN/ISO Norm 11446.
- We would expressly point out that assembly not carried out properly by a competent installer will result in cancellation of any right to damage compensation, in particular those arising by virtue of the product liability act.
- Contents of these kits and their fitting manuals are subject to alteration without notice, please ensure that these instructions are read and fully understood before commencing installation.
- Do not overload circuits; the maximum loads per connection are detailed in this manual.
- Attention! Before Installation, please read this manual carefully and inform your customer to consult the vehicle owners manual to check for any vehicle modifications required before towing.
- In the event of functional problems, troubleshooting must be limited to about 0.5 hours, contact the technical support:  
[ukts@ecs-electronics.com](mailto:ukts@ecs-electronics.com) / 07440 202 052.



# Part list



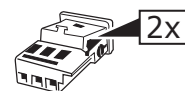
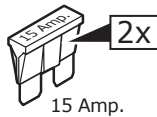
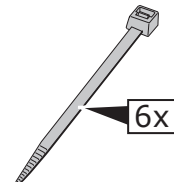
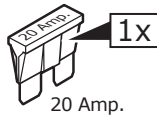
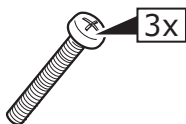
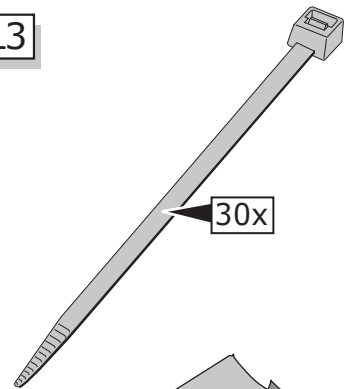
**Option P.D.C. \***

PARK DISTANCE CONTROL

↓

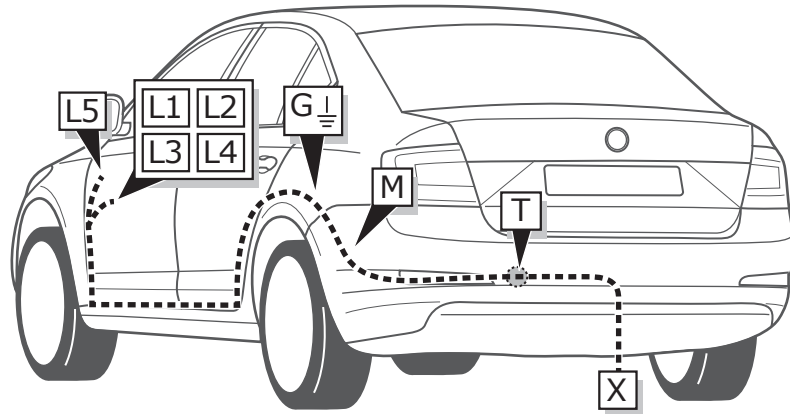
PARK DISTANCE CONTROL

For not OEM P.D.C. System use the: VW-083-ZZ

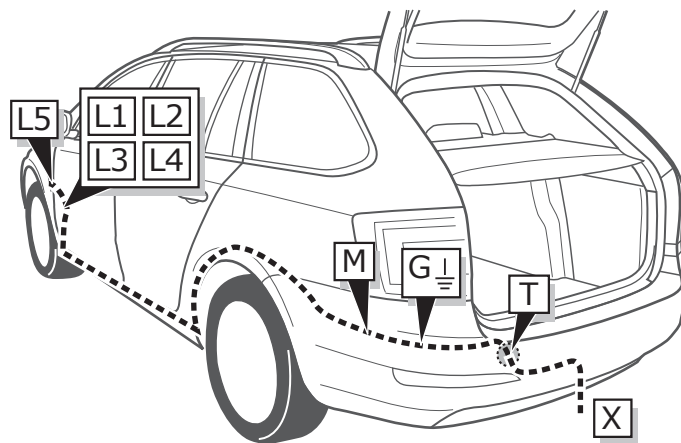


ROUTING

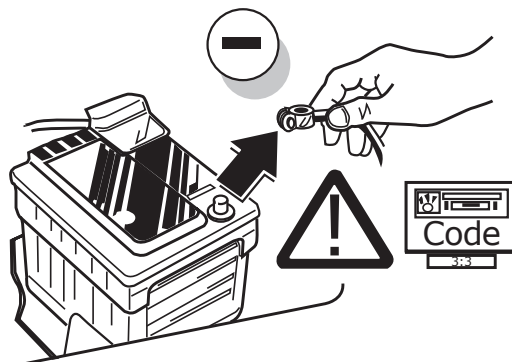
Octavia Limo



Octavia Combi

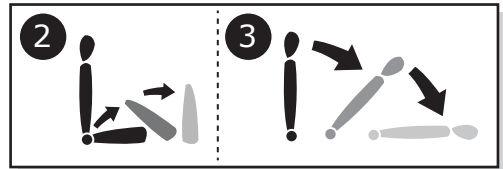
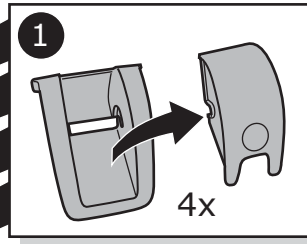
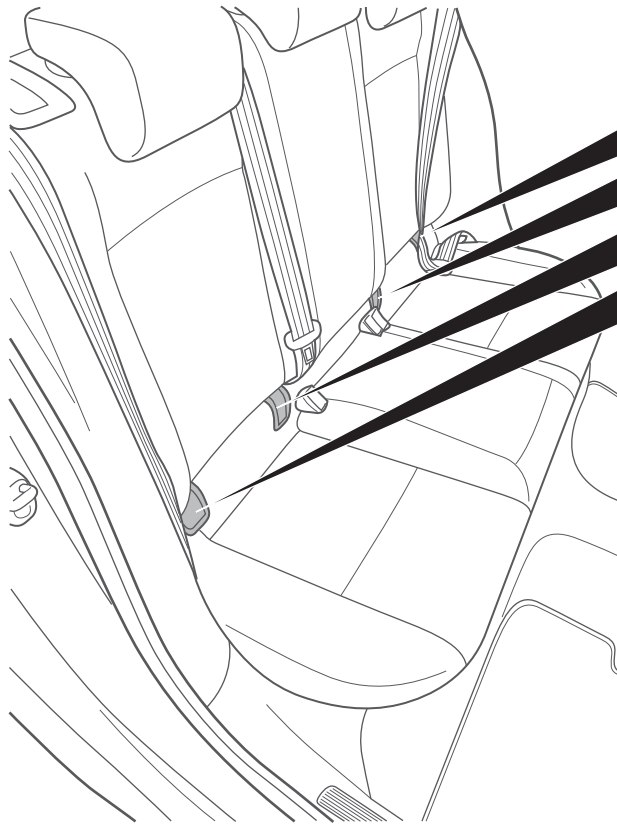


1



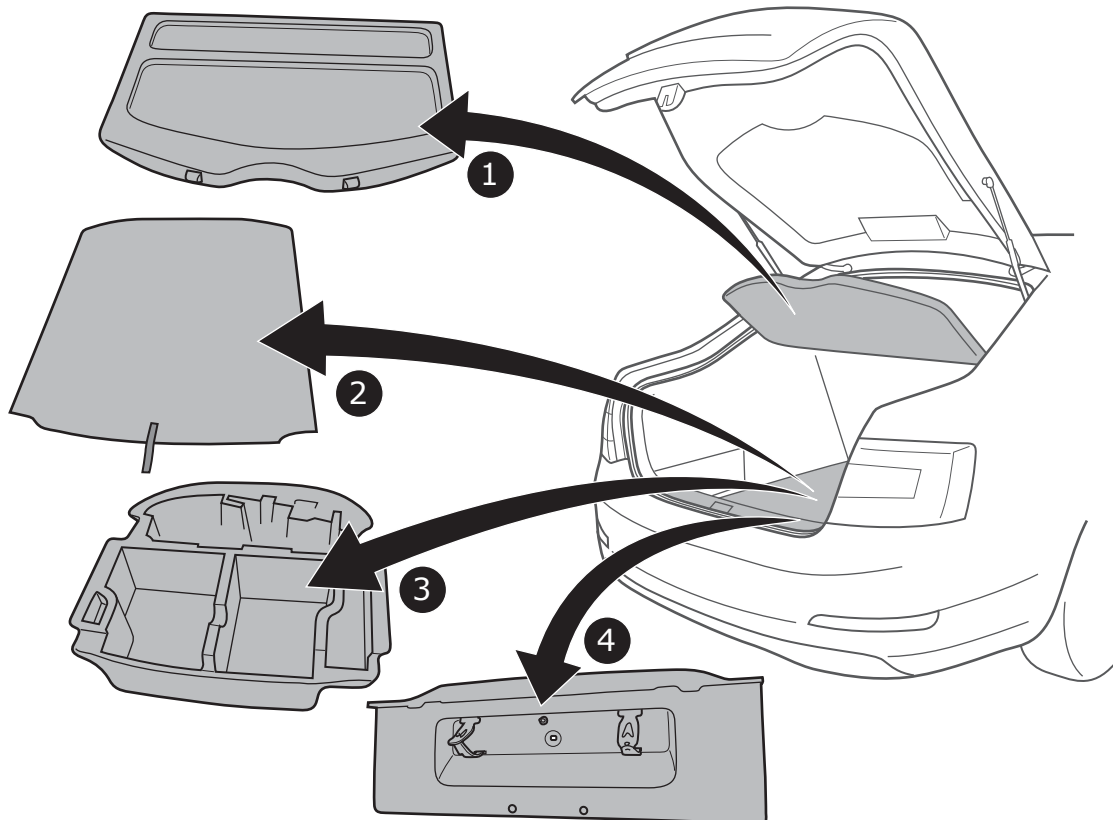
# Octavia Limo / Combi

2

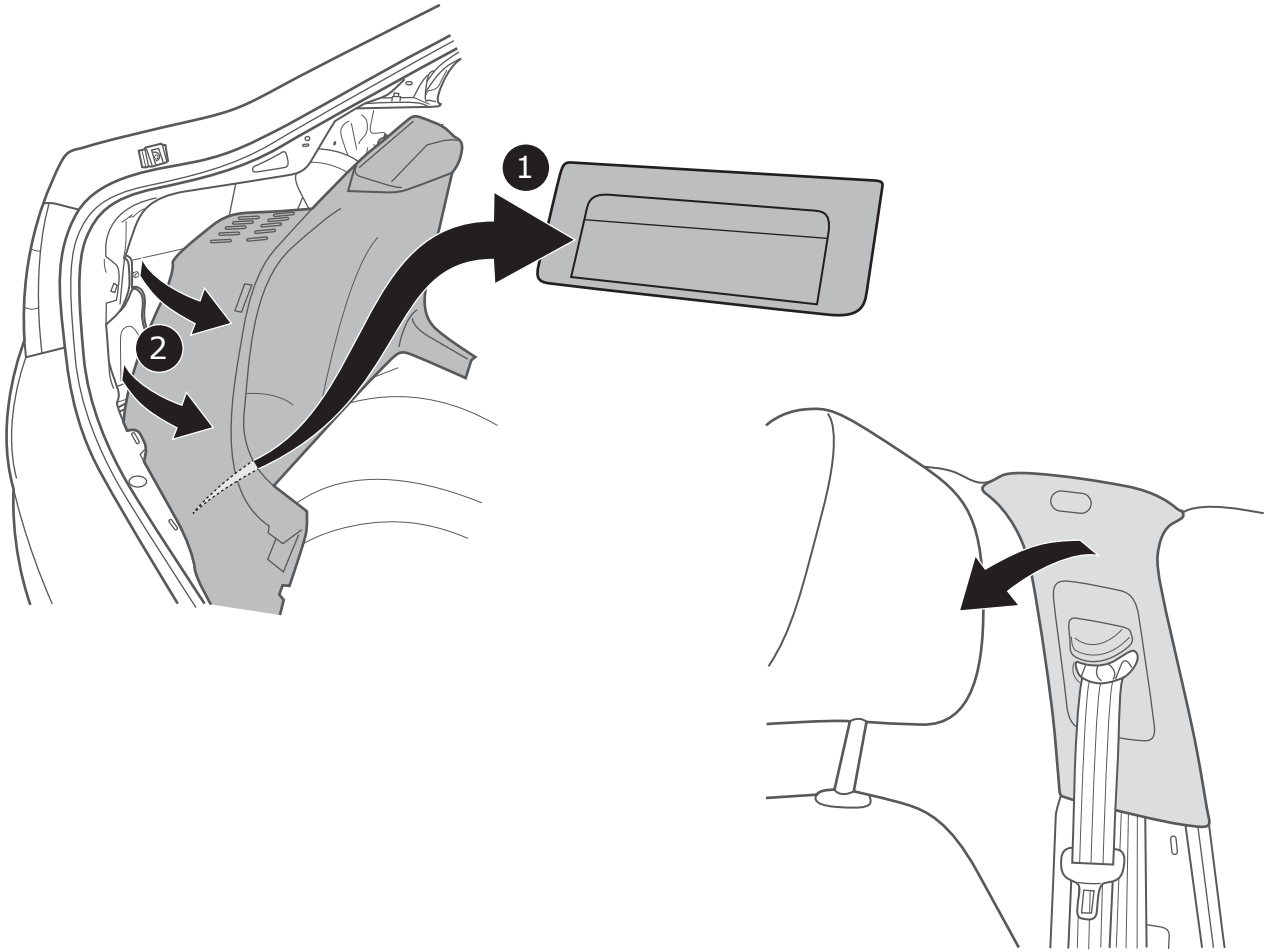


# Octavia Limo

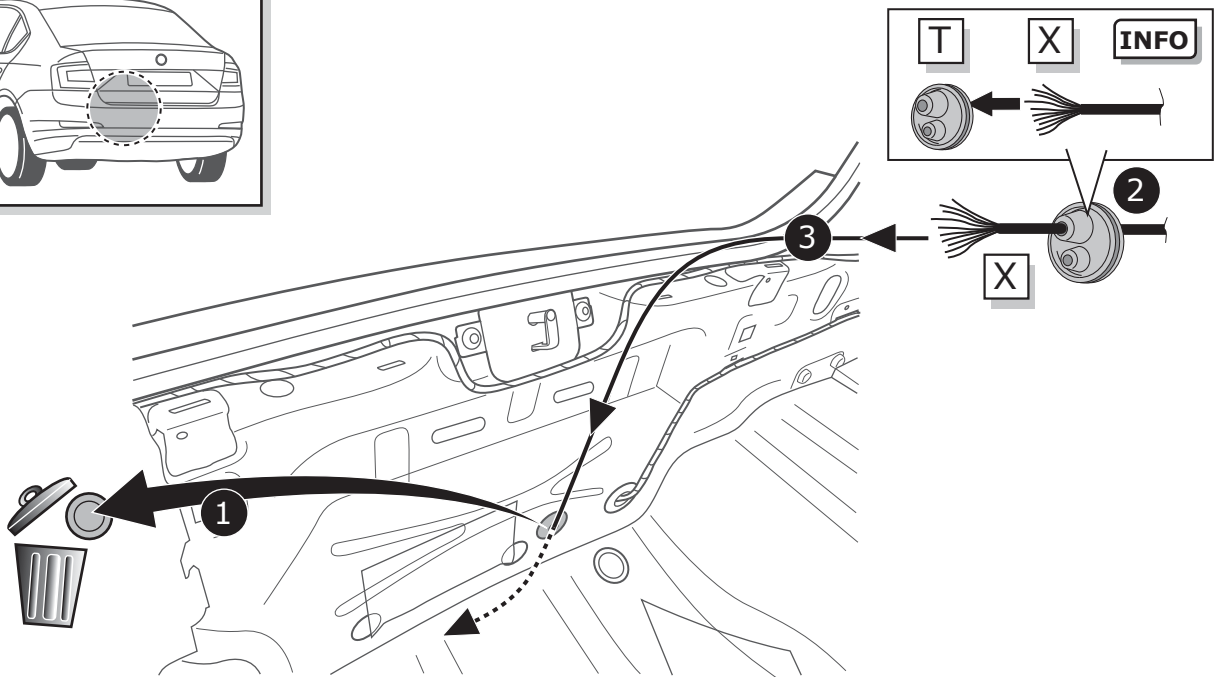
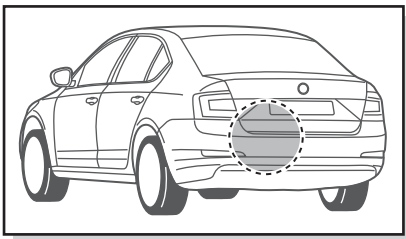
3



4

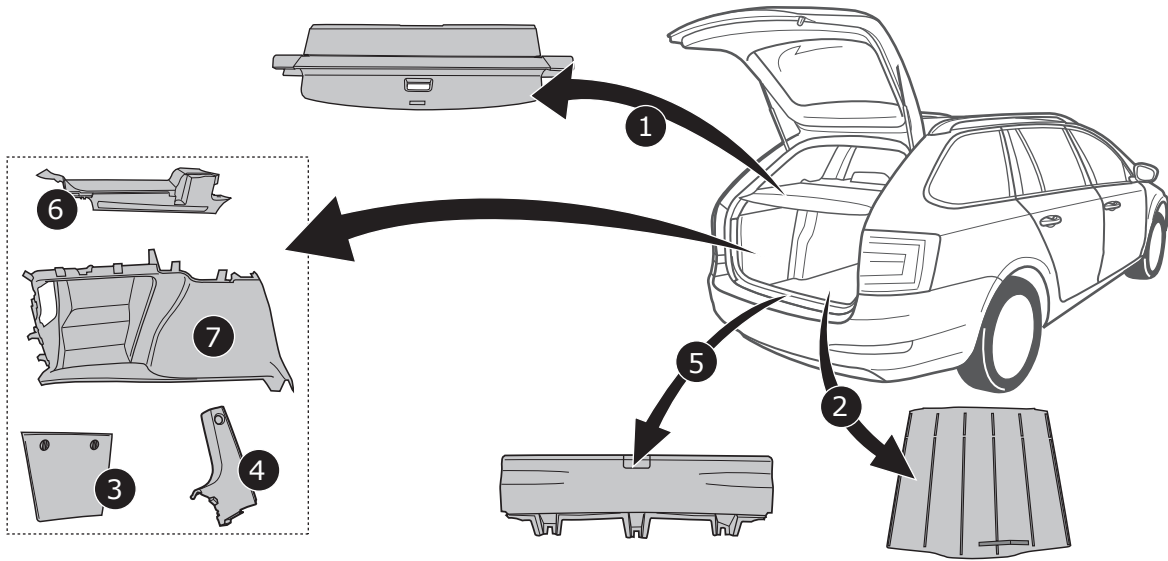


5

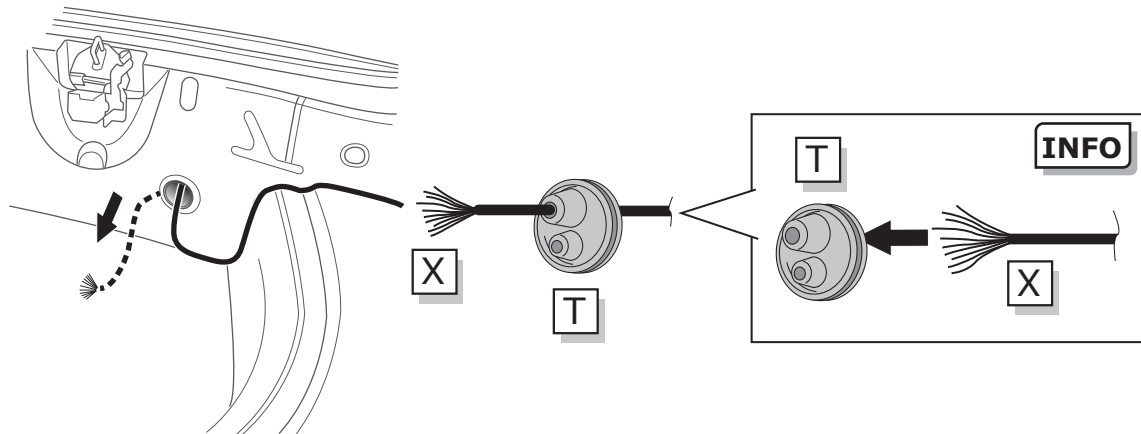


# Octavia Combi

6



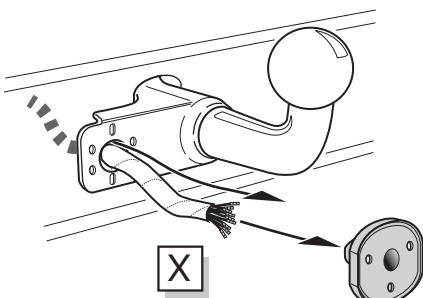
7



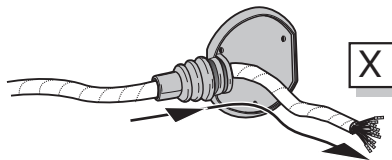
# Octavia Limo / Combi

A

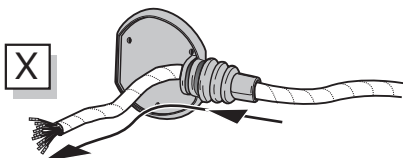
Option 1



Option 2



Option 3



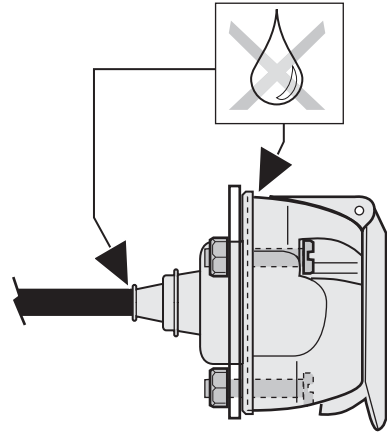
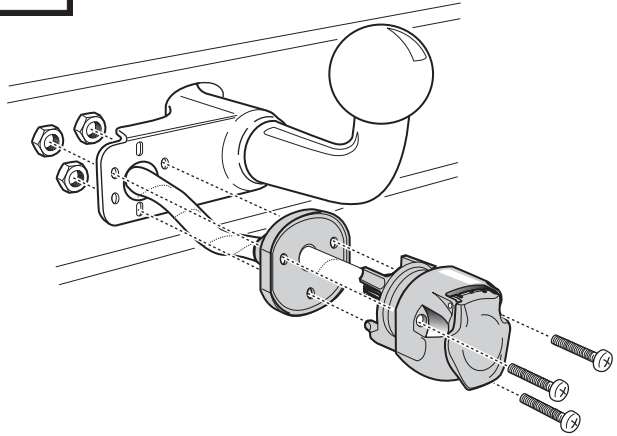
INFO

SOCKET CONNECTION



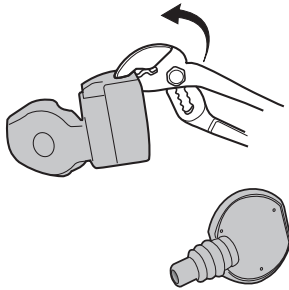
Pag. 16

**B** Option 1

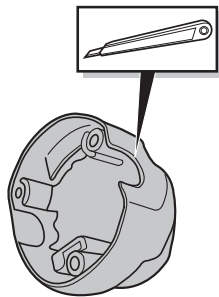


**C** Option 2

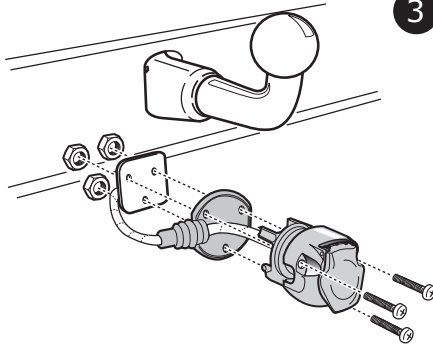
1



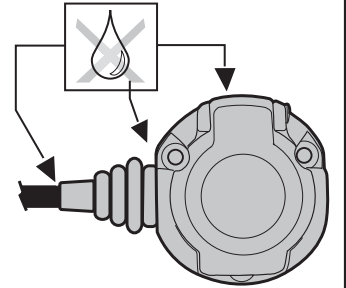
2



3

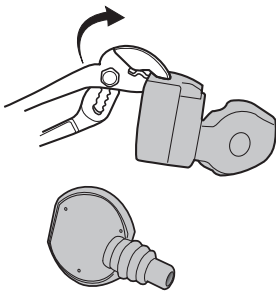


4

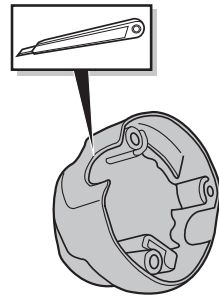


**D** Option 3

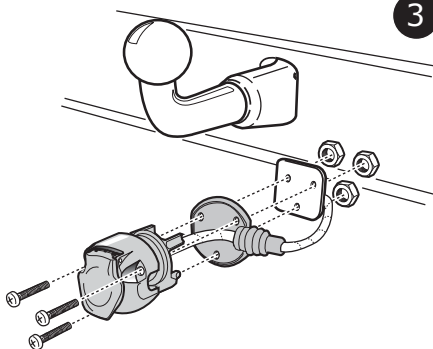
1



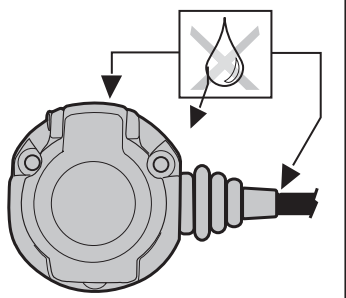
2



3

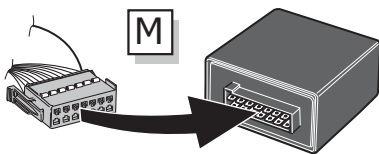


4

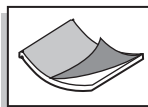


**8**

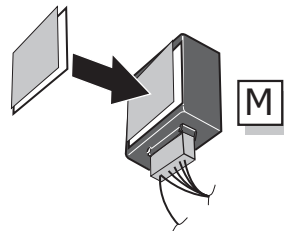
1



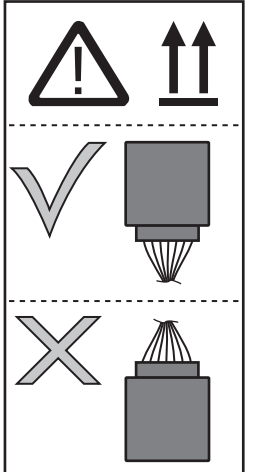
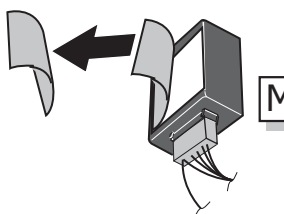
2



3

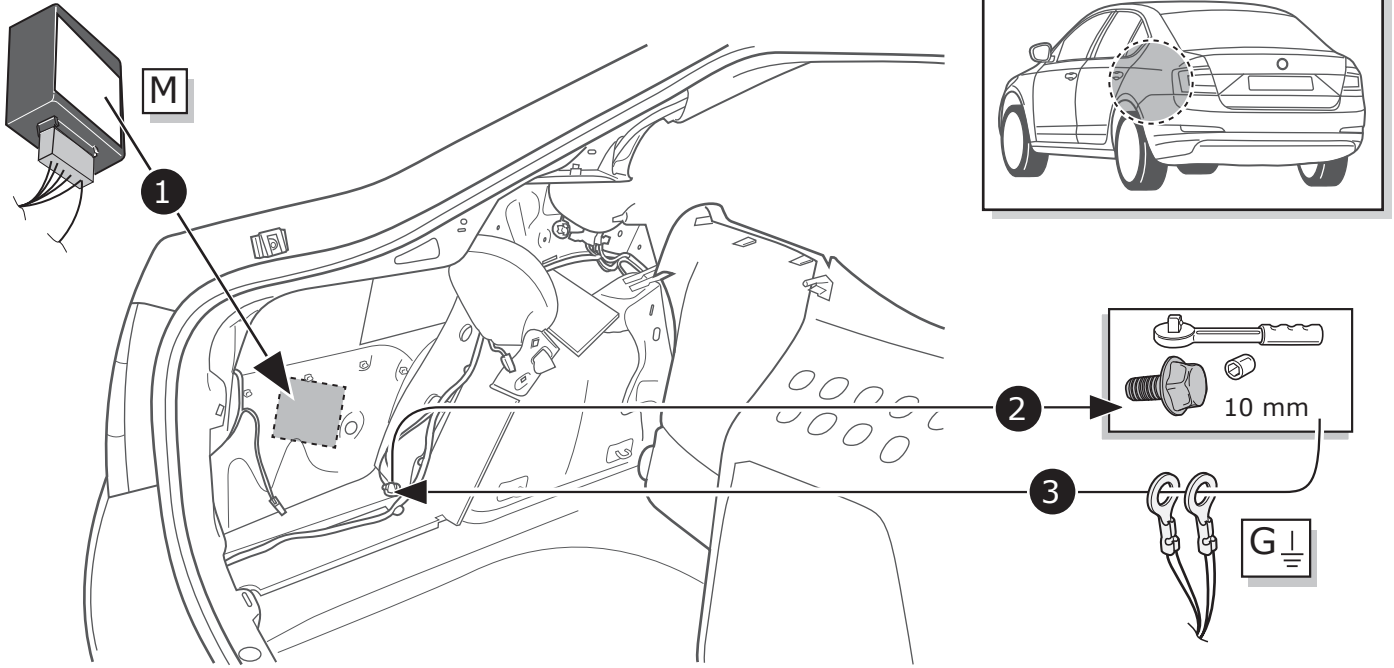


4



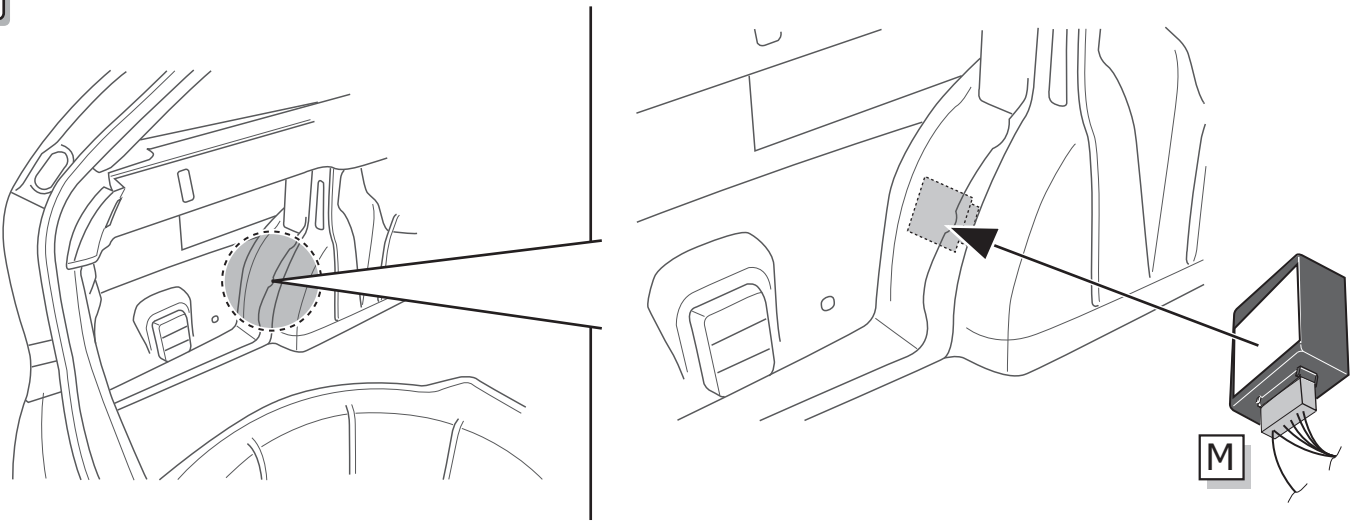
# Octavia Limo

9

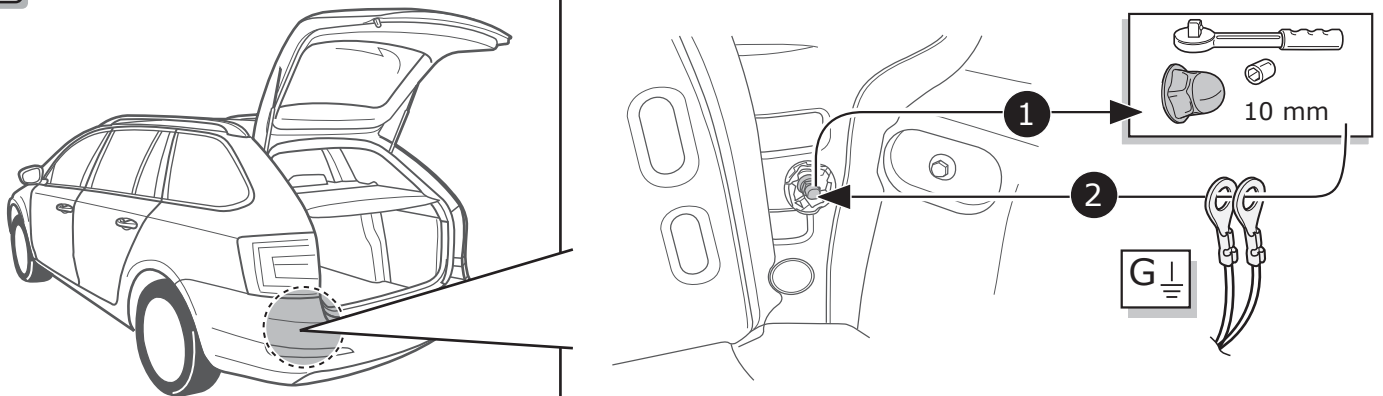


# Octavia Combi

10

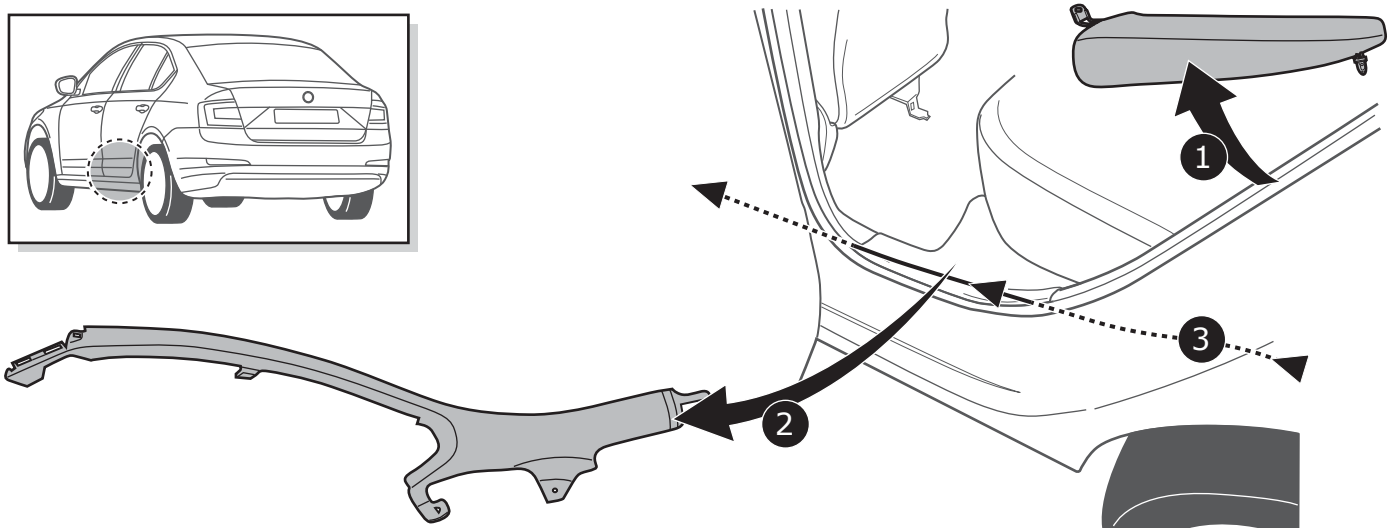
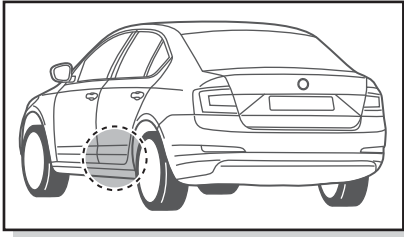


11

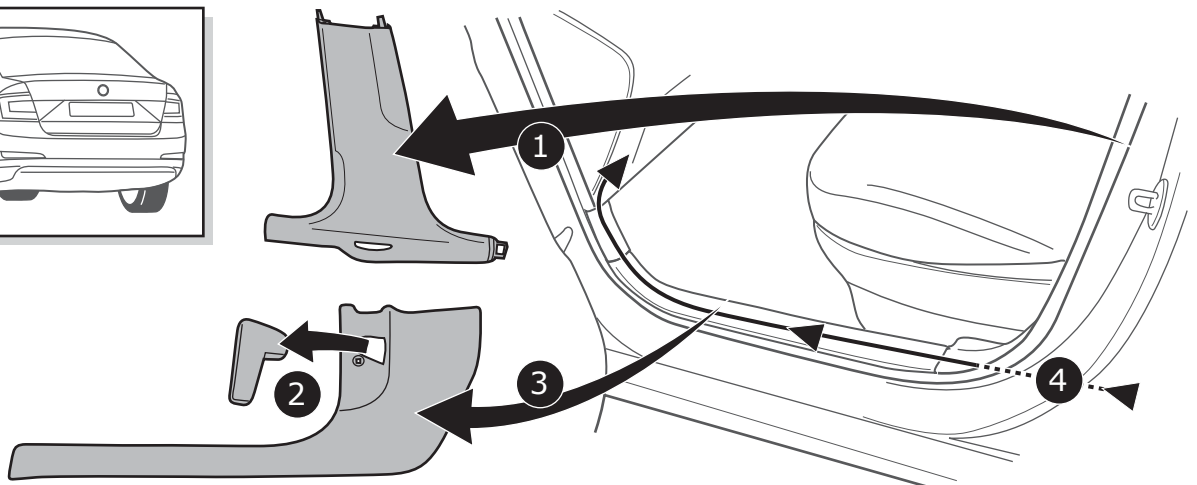
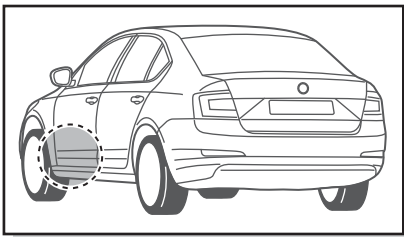




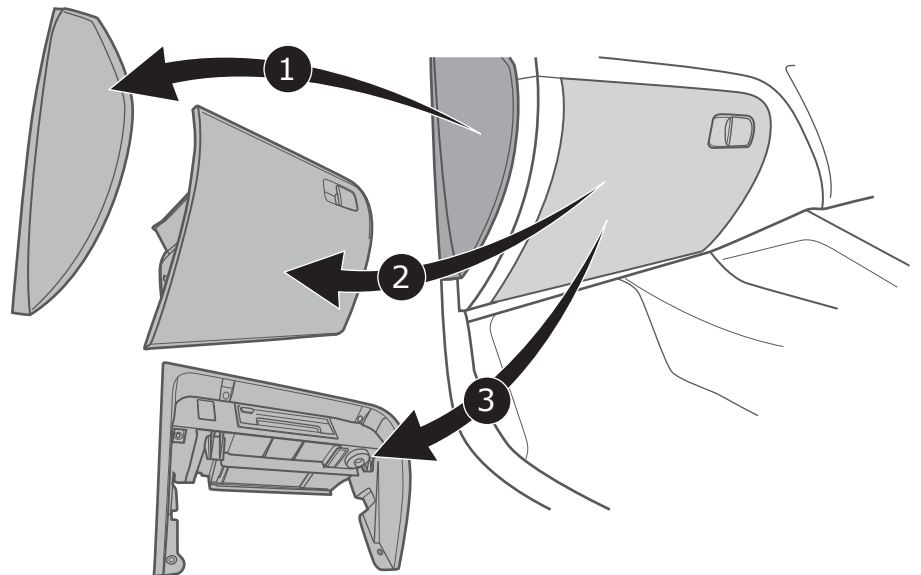
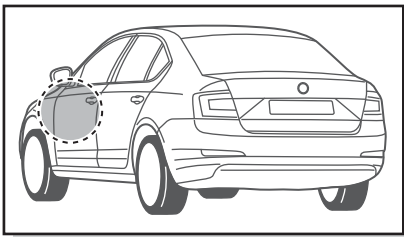
12



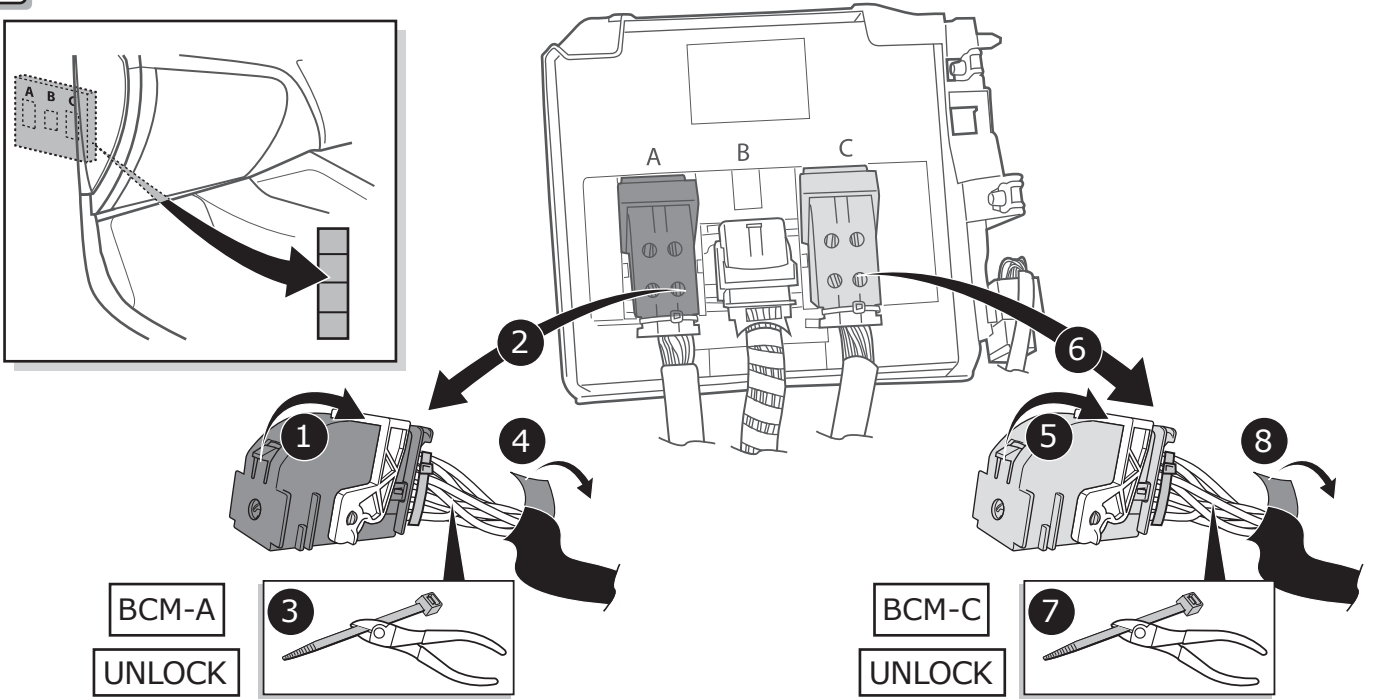
13



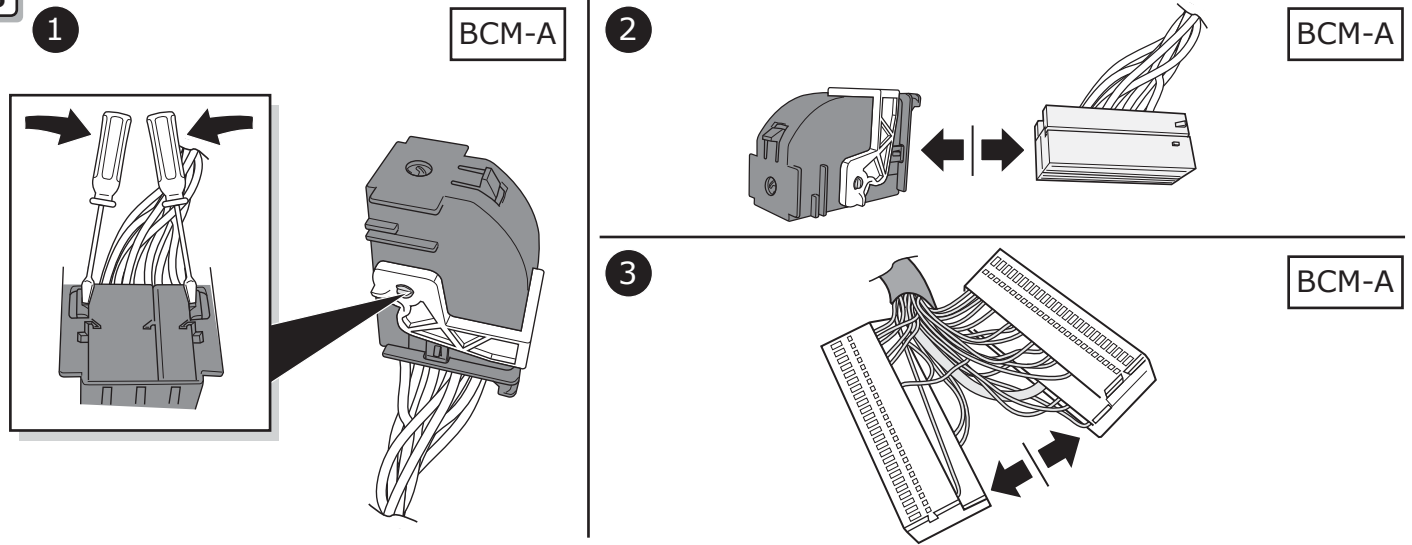
14



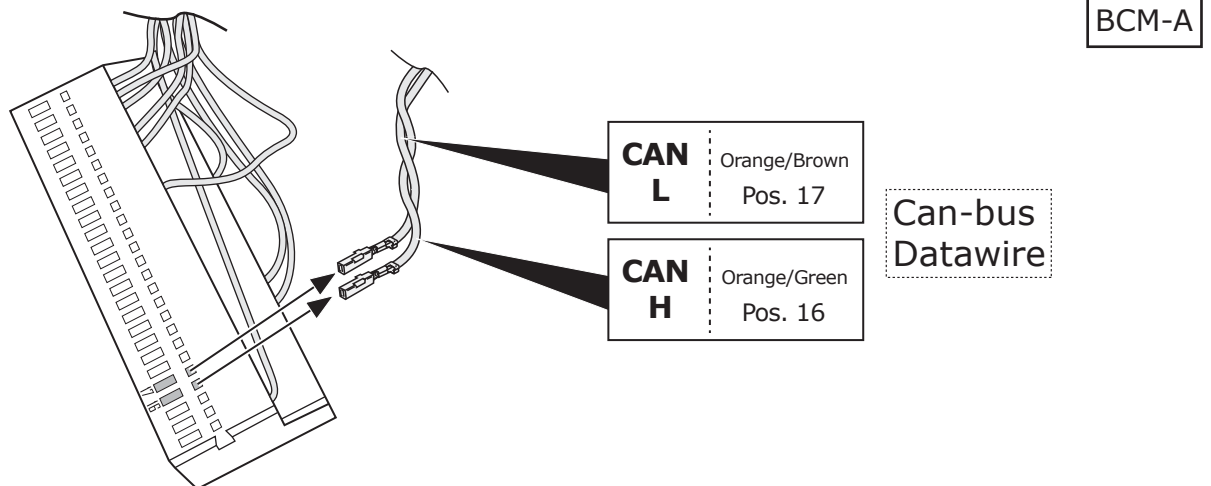
15



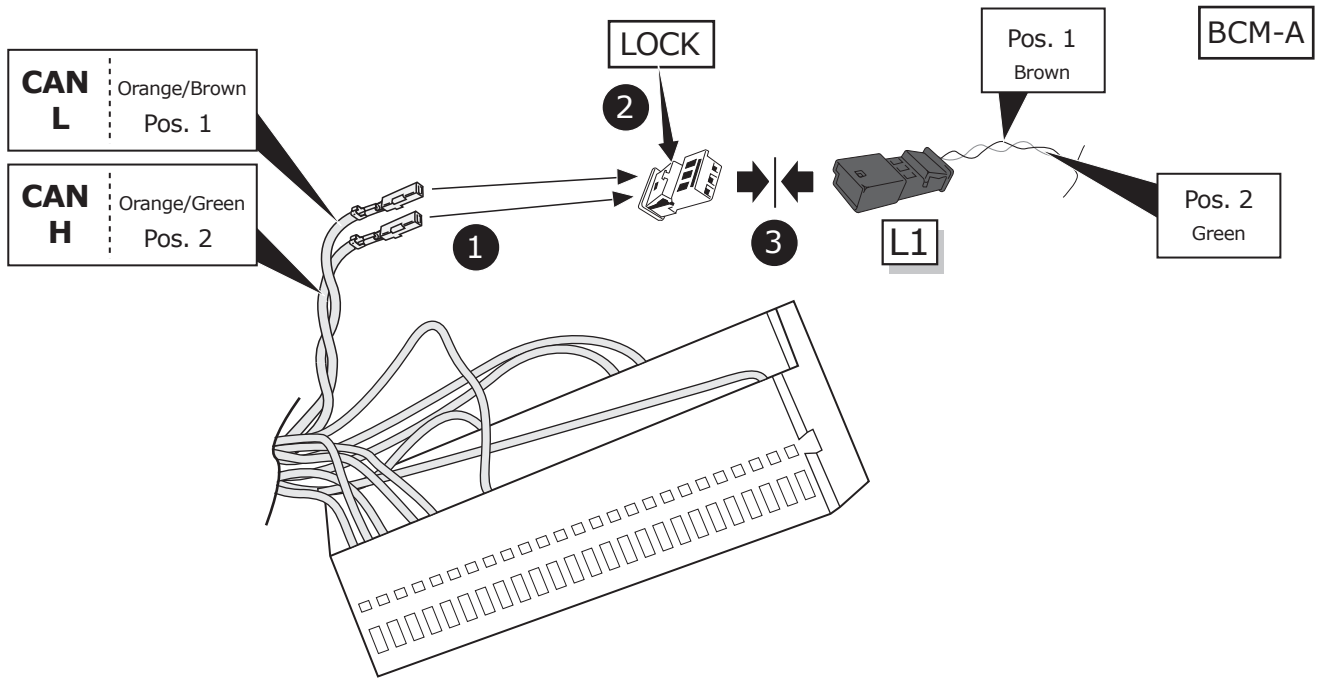
16



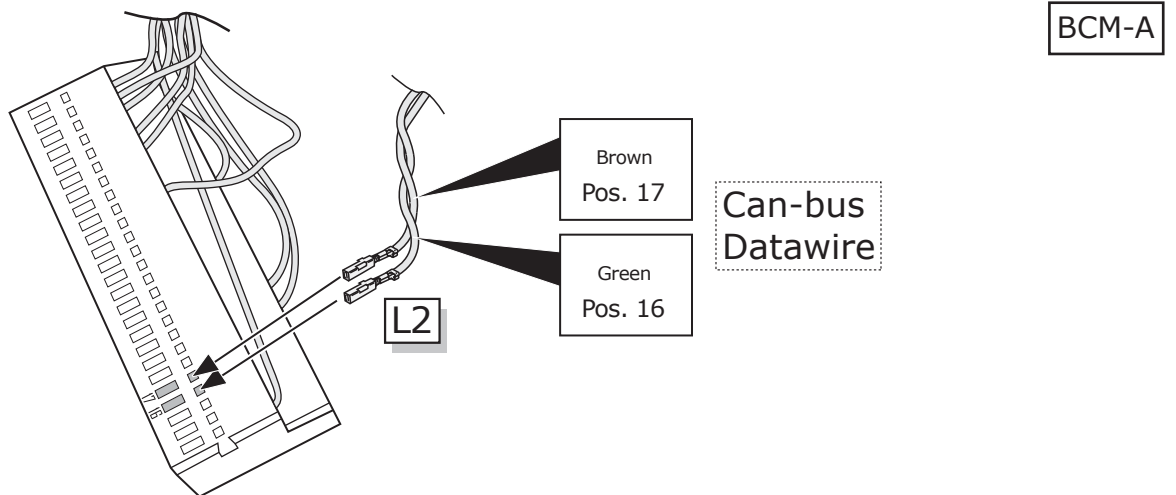
17



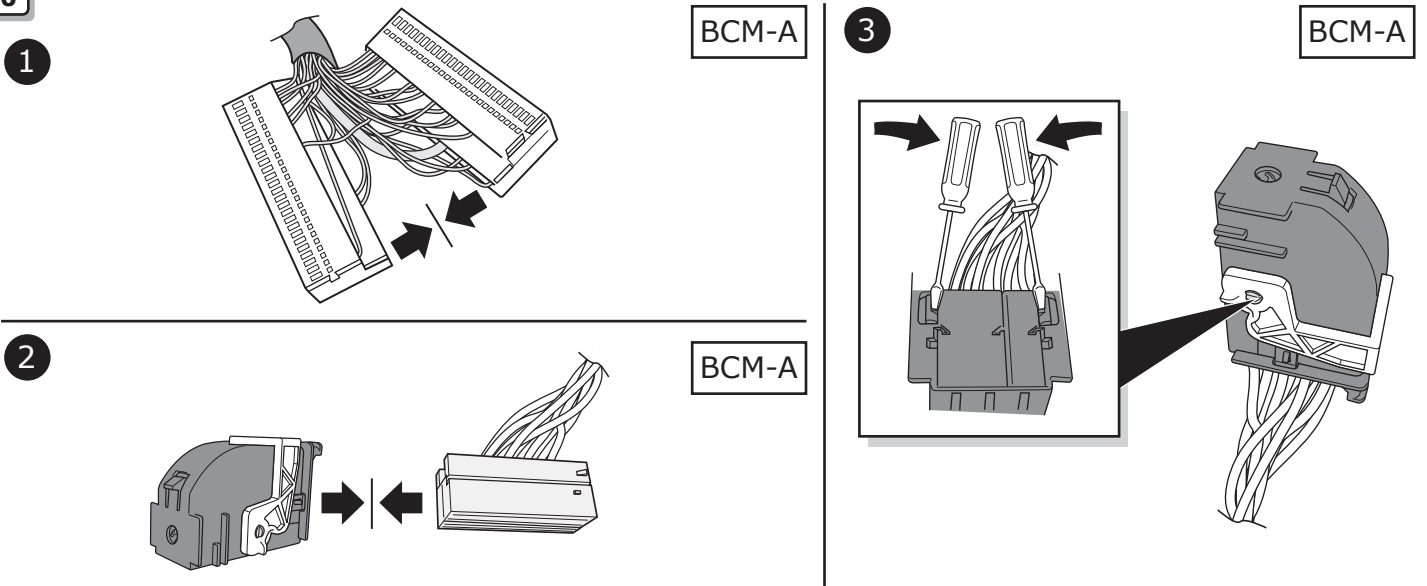
18



19



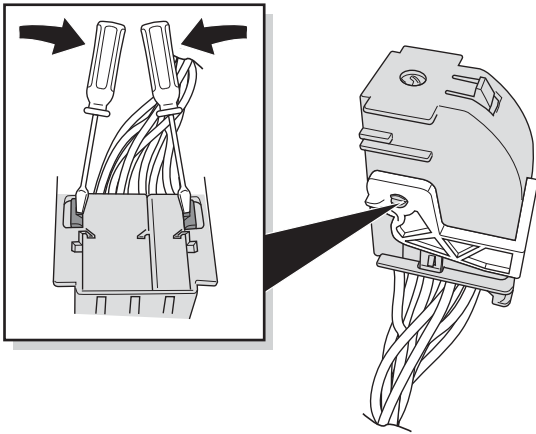
20



21

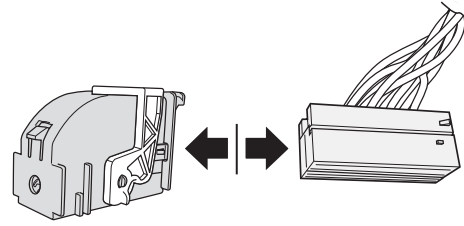
1

BCM-C



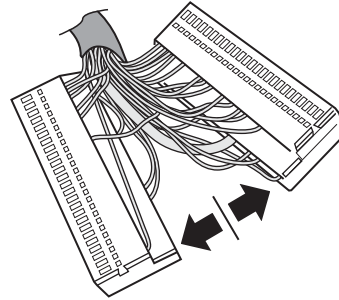
2

BCM-C



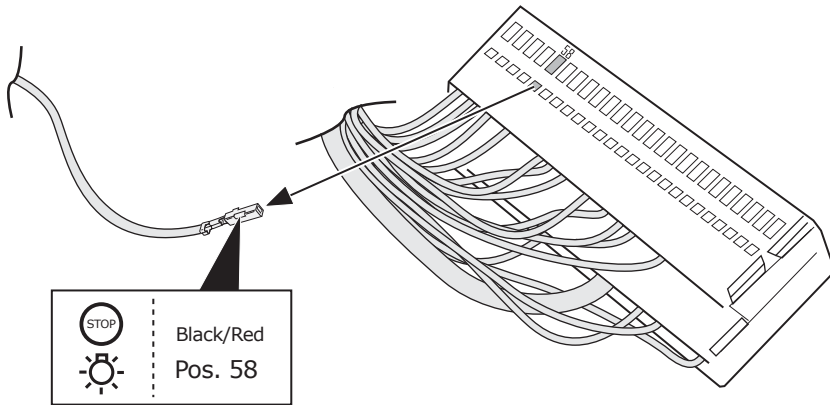
3

BCM-C



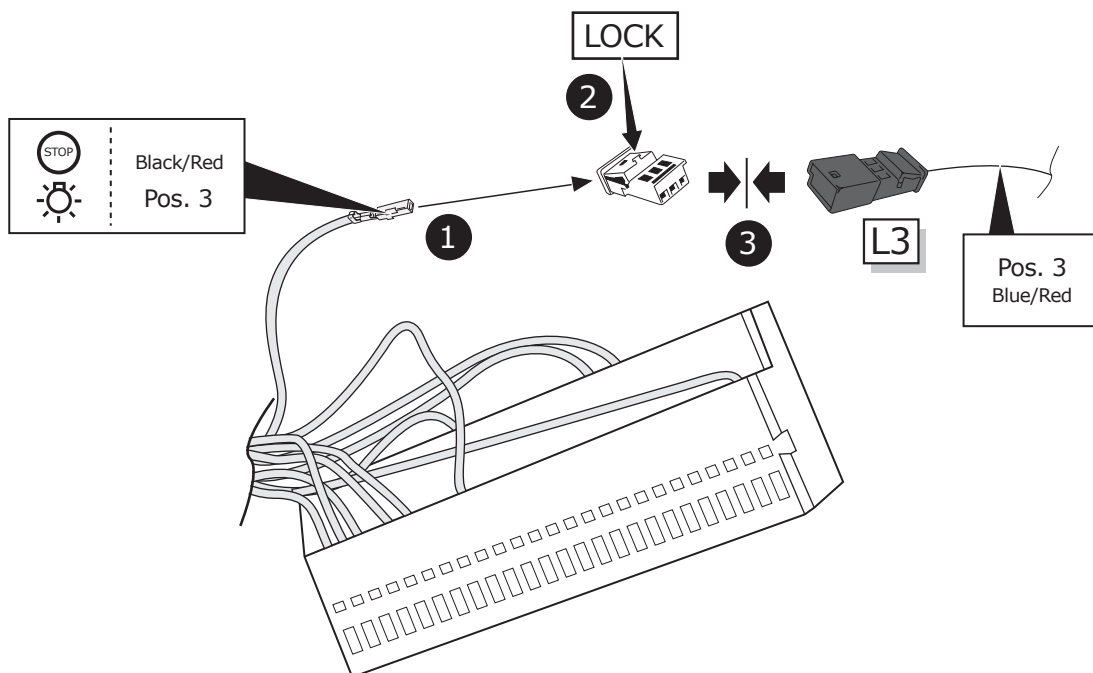
22

BCM-C



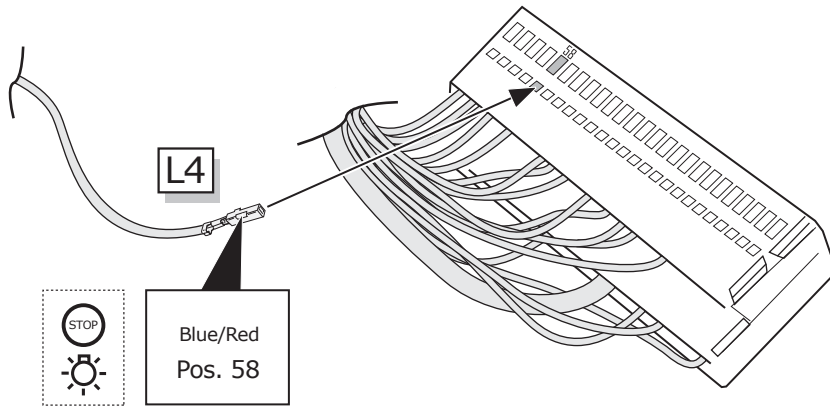
23

BCM-C



24

BCM-C



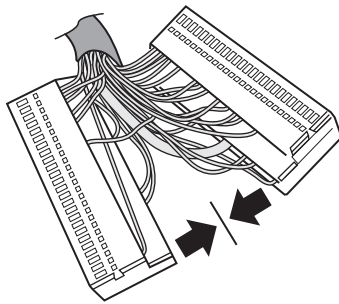
25

BCM-C

3

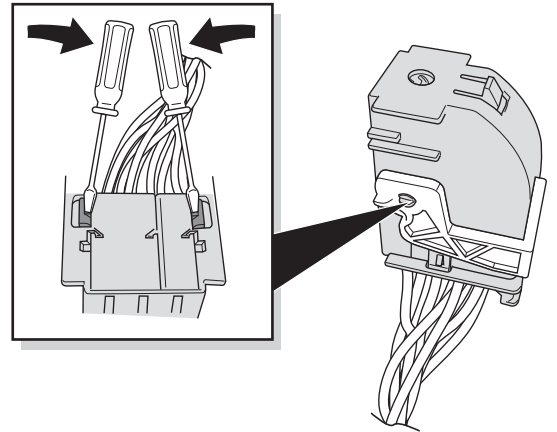
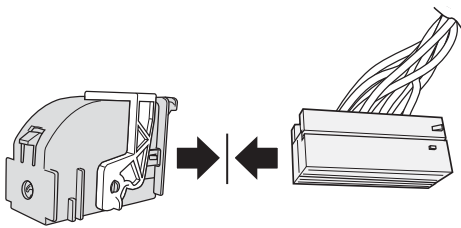
BCM-C

1

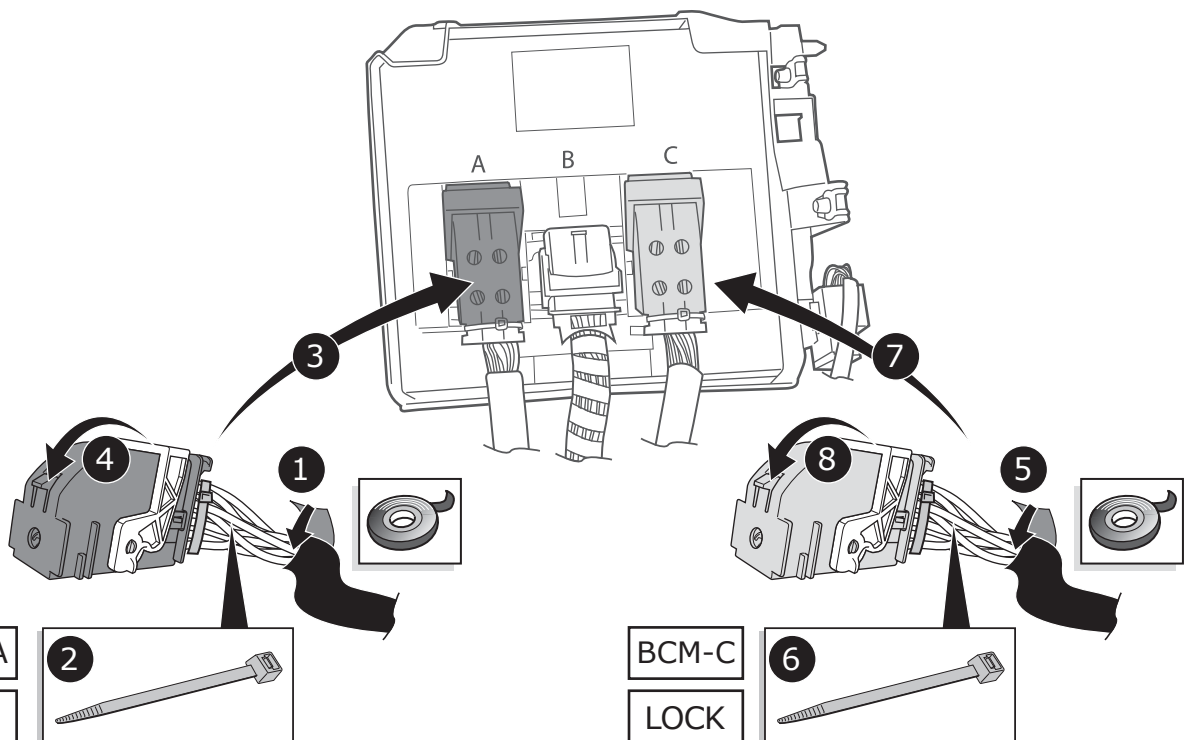


2

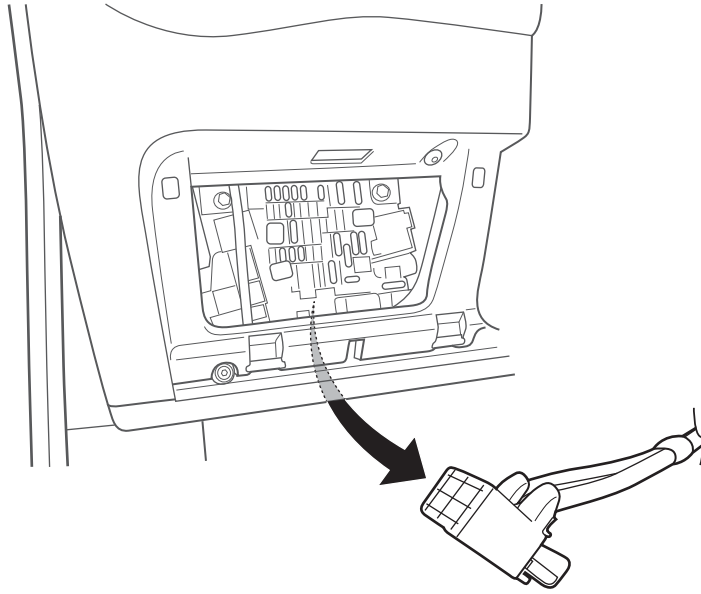
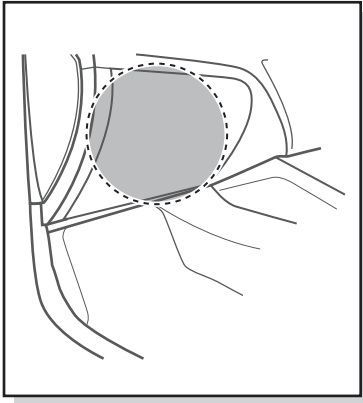
BCM-C



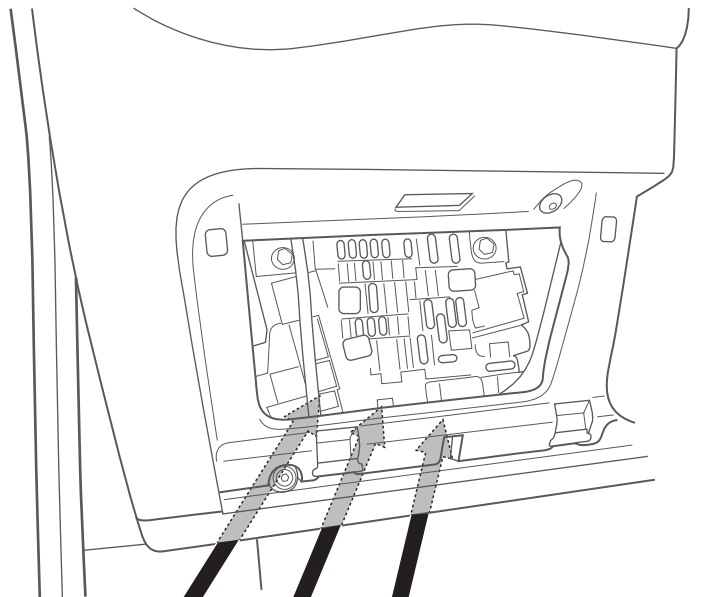
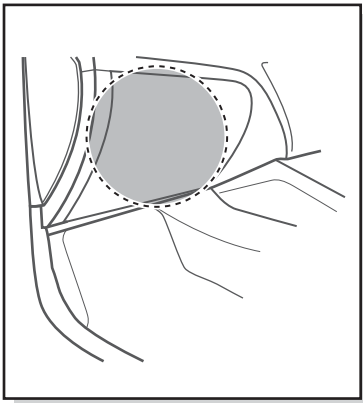
26



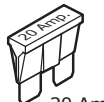
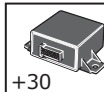




27

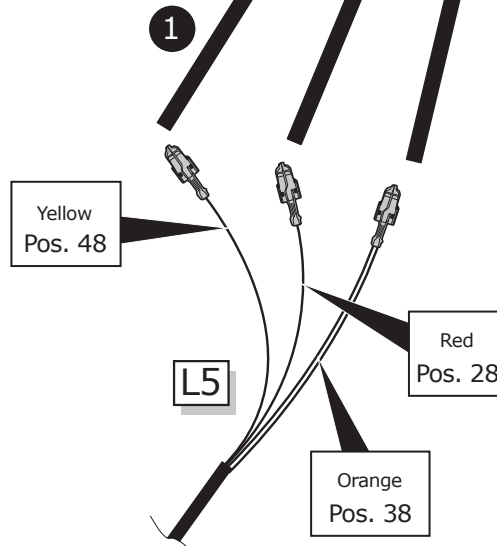


28

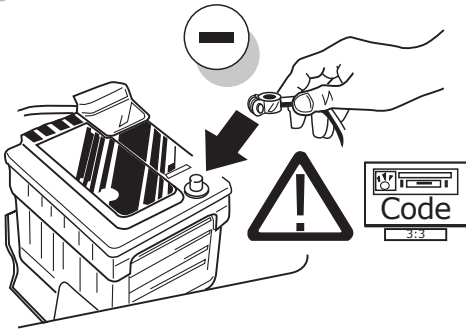


2

 <p>20 Amp.</p> <p>Pos. 38</p>  <p>+30</p>	 <p>15 Amp.</p> <p>Pos. 28</p>  <p>+30</p>	 <p>15 Amp.</p> <p>Pos. 48</p>  <p>+15</p>
--	--	--



29



INFO

## ONLINE CODING



INFO

Warning! It must be ensured that all the requirements of the vehicle manufacturer for changes to and retro-fitting on the vehicle and/or cooling system for the operation with a trailer are carried out. Subject to change.

30

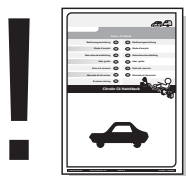
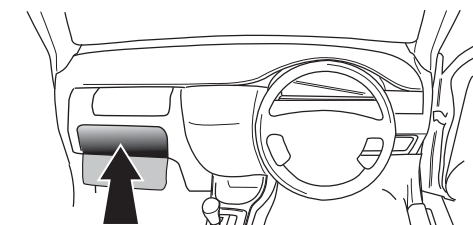


TEST ALL THE CIRCUITS WITH A TEST DEVICE WITH THE CORRECT POWER LOAD FOR EACH FUNCTION. A TEST DEVICE WITH LED'S CANNOT BE USED FOR THIS PURPOSE.

INFO

REINSTALL TRIM.

31





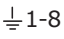







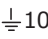
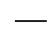

**User guide**

**TECHNICAL SUPPORT**

**CALL 07440 202 052**

**ECS ELECTRONICS** MONDAY TO FRIDAY  
08.00 - 11.00 am  
12.00 - 05.00 pm  
ukts@ecs-electronics.com  
www.ecs-electronicsuk.co.uk

## SOCKET CONNECTION

DIN/ISO 11446													
	1/L	2	3/31	4/R	5/58-R	6/54	7/58-L	8	9	10	11	12	13
Pmax	21W	21W		21W	42W	3x21W	42W	21W	180W/15Amp	180W/15Amp			
Colour	Black/ White	Blue	Brown	Black/ Green	Grey/ Red	Black/ Red	Grey/ Black	Black	Red	Yellow	Brown	-	Brown