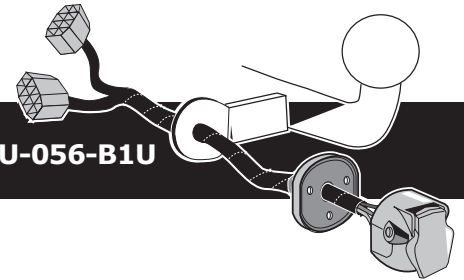


Audi A6 Sedan 2011- (4G)
Audi A7 Sportback 2010- (4G)
Audi A6 Avant 2012- (4G5)

Only for models without towbar preparation

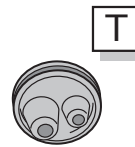
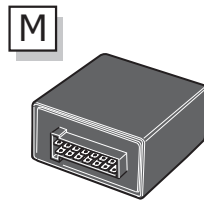
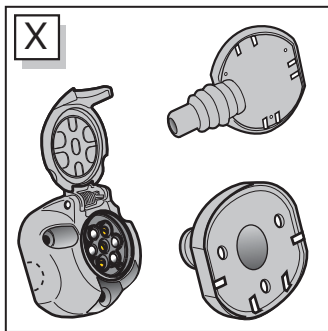
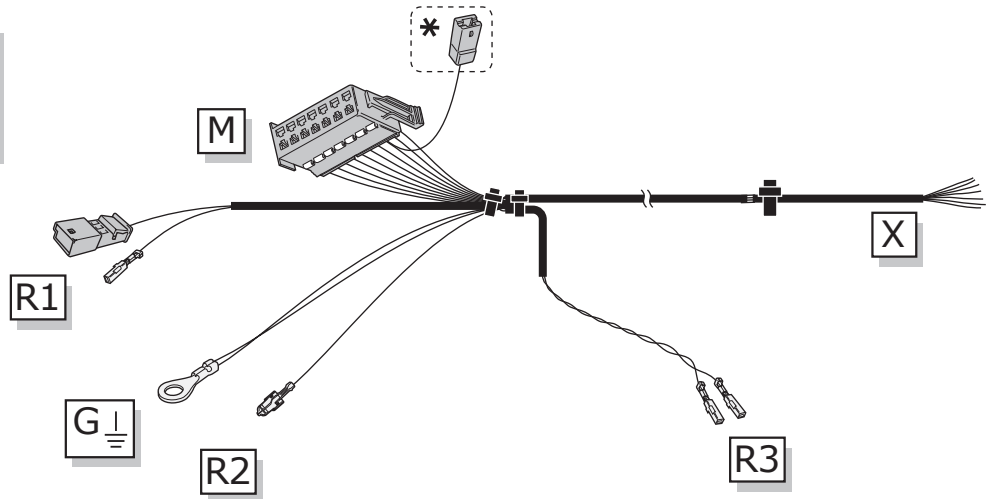
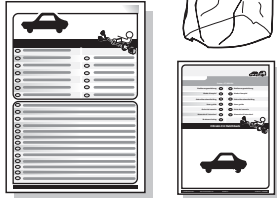
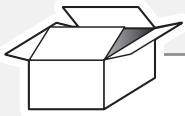
Partnr.: AU-056-B1U



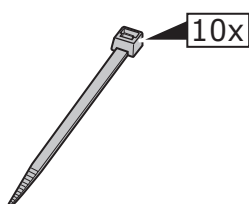
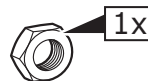
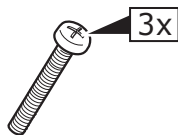
- Fitting instructions electric wiring kit tow bar with 12-N socket up to DIN/ISO Norm 1724.
- We would expressly point out that assembly not carried out properly by a competent installer will result in cancellation of any right to damage compensation, in particular those arising by virtue of the product liability act.
- Contents of these kits and their fitting manuals are subject to alteration without notice, please ensure that these instructions are read and fully understood before commencing installation.
- Do not overload circuits; the maximum loads per connection are detailed in this manual.
- Attention! Before Installation, please read this manual carefully and inform your customer to consult the vehicle owners manual to check for any vehicle modifications required before towing.
- In the event of functional problems, troubleshooting must be limited to about 0.5 hours, contact the technical support:
ukts@ecs-electronics.com / 07440 202 052.



Part list

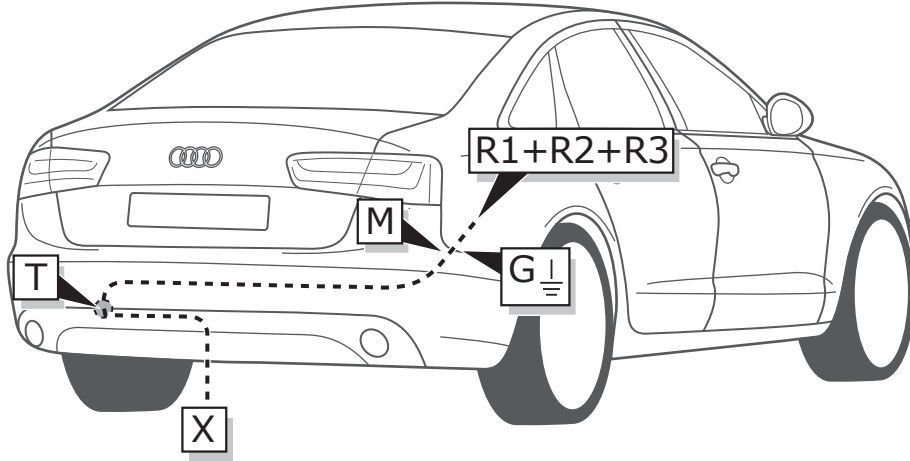


* Reverse signal preparation
Pag. 18



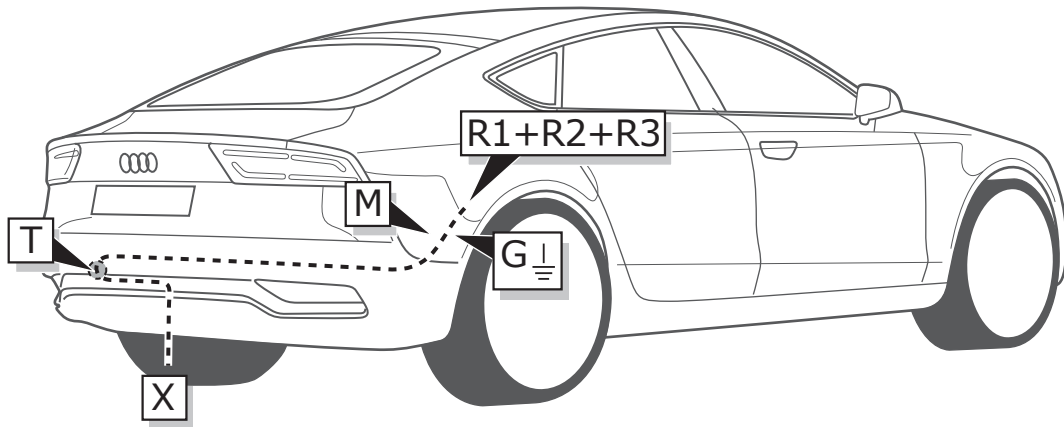
Audi A6 Sedan

ROUTING



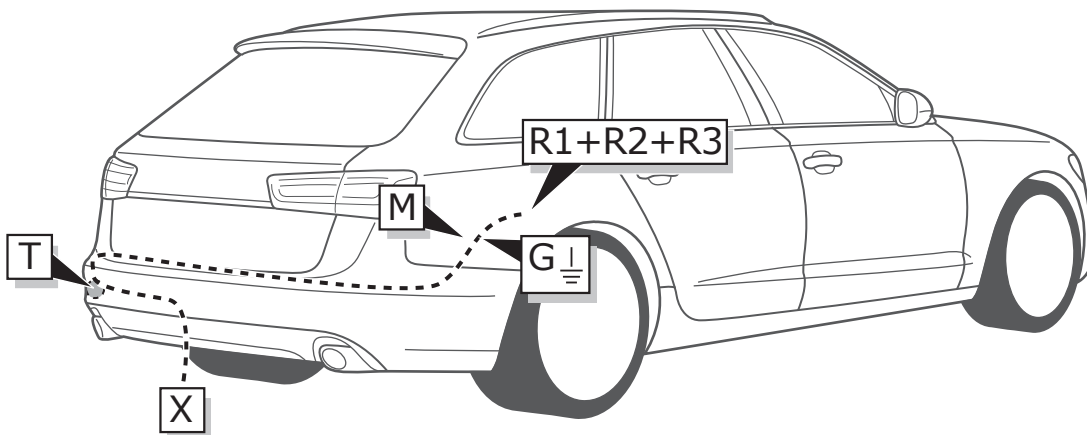
Audi A7 Sportback

ROUTING



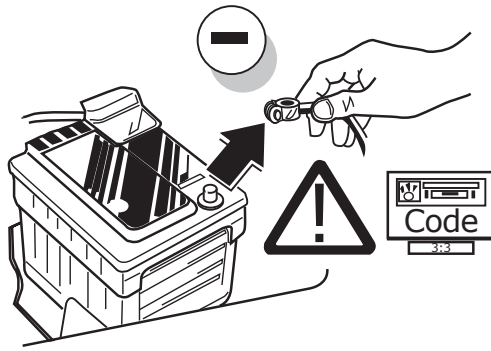
Audi A6 Avant

ROUTING



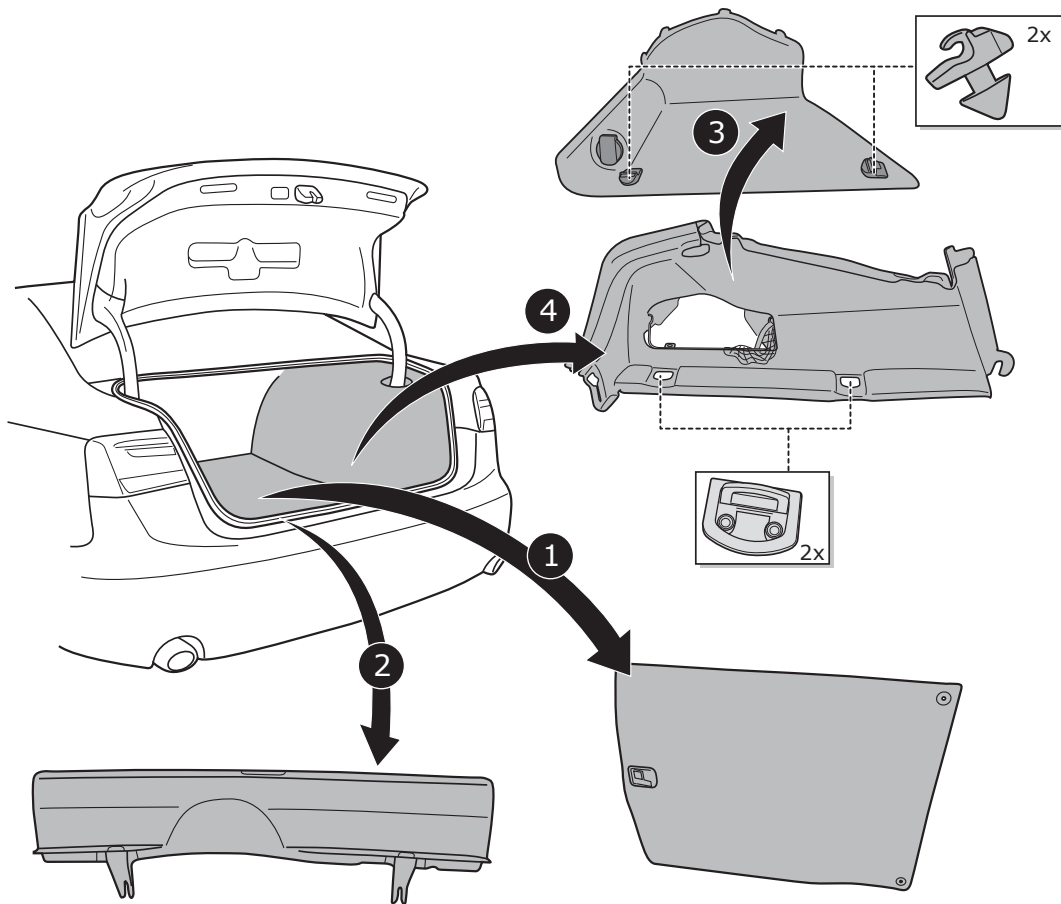
All Models

1



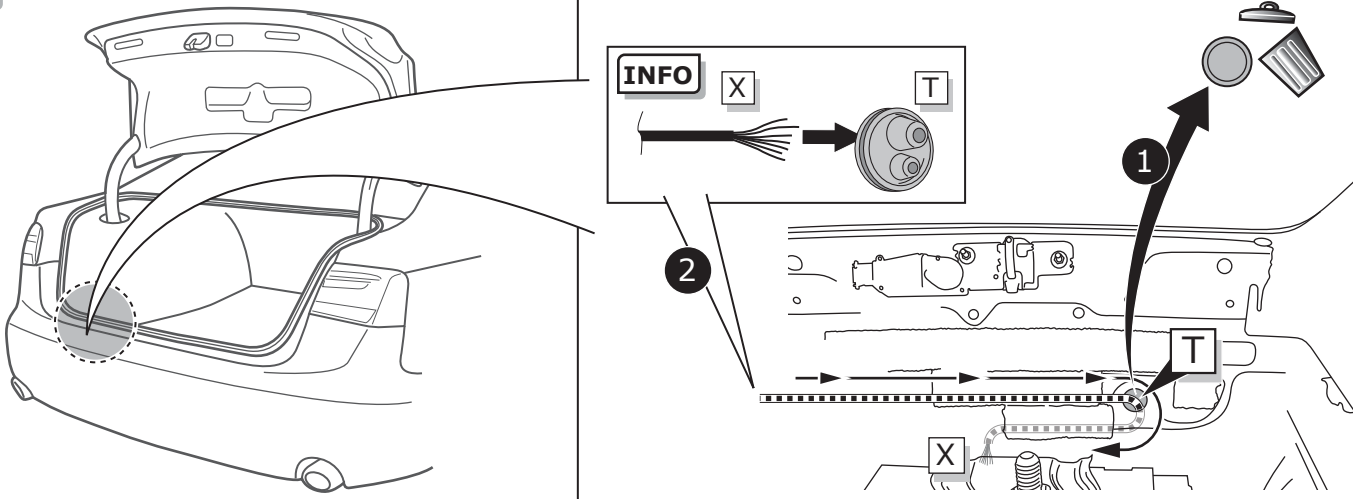
A6 Sedan

2



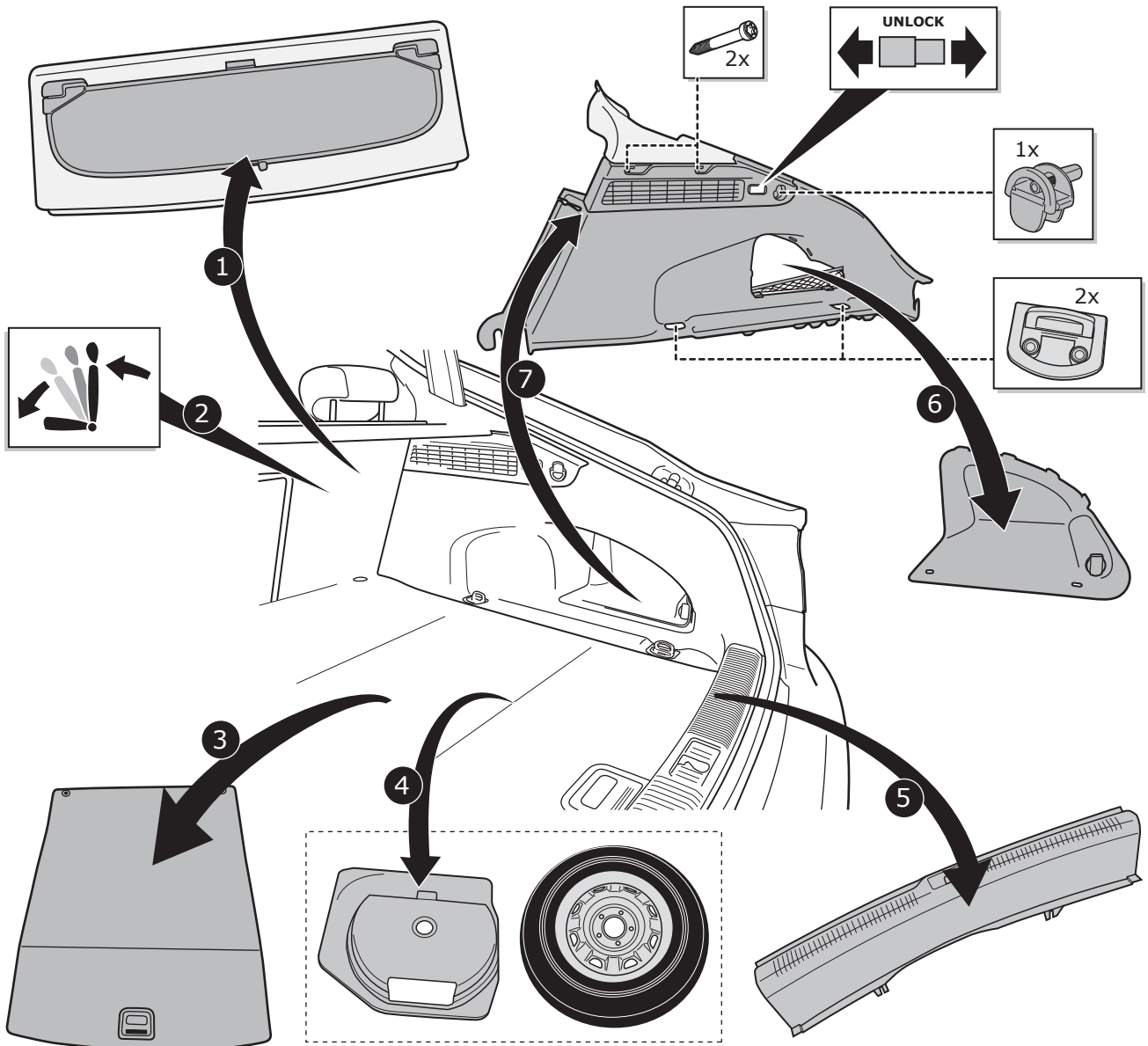
A6 Sedan

3



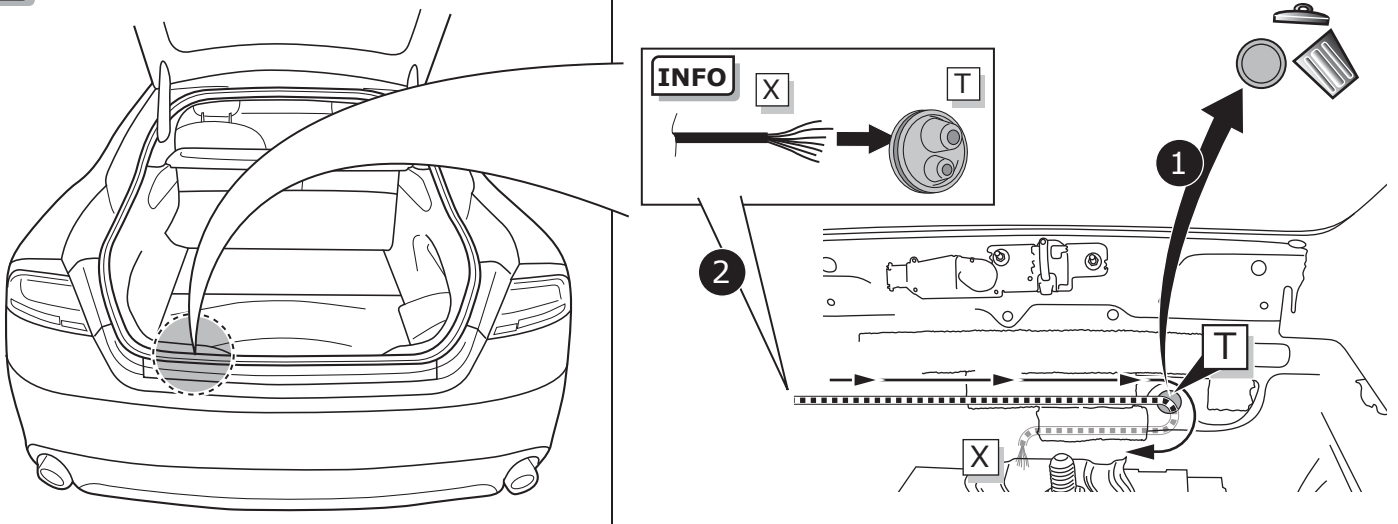
A7 Sportback

4



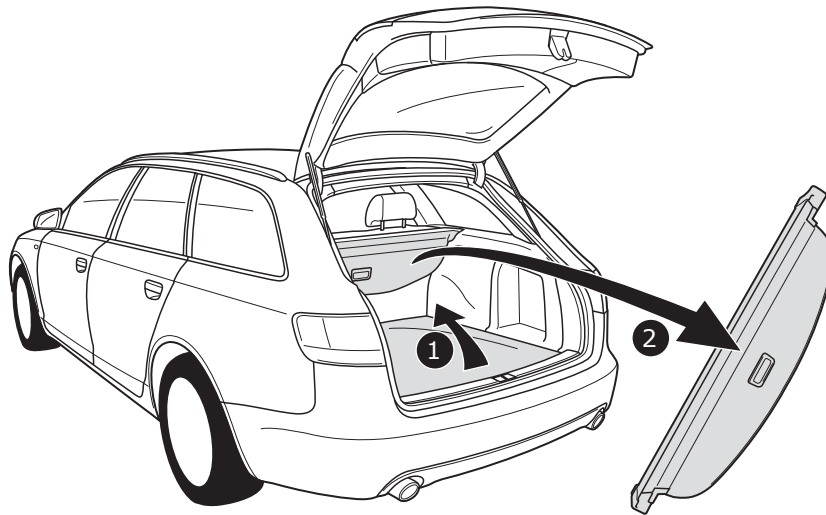
A7 Sportback

5

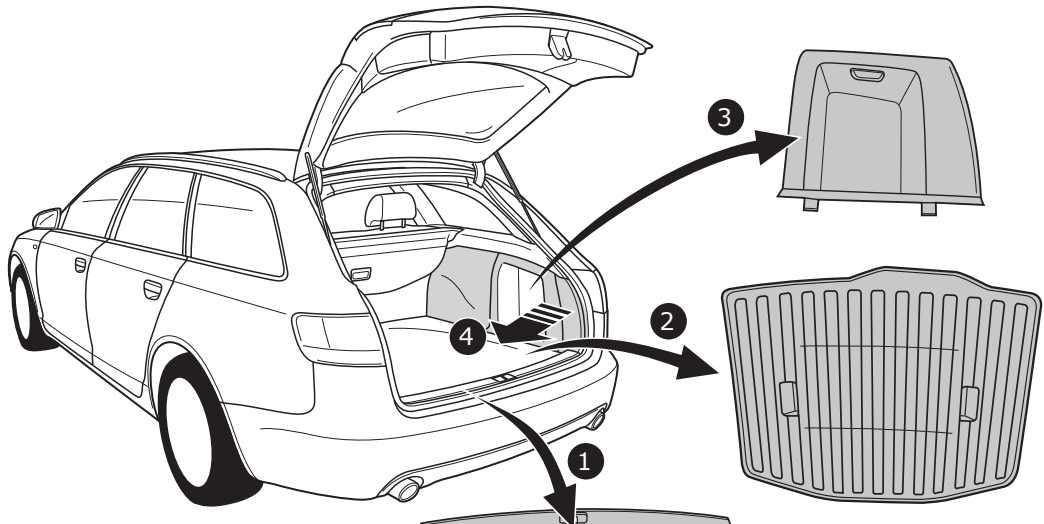


A6 Avant

6

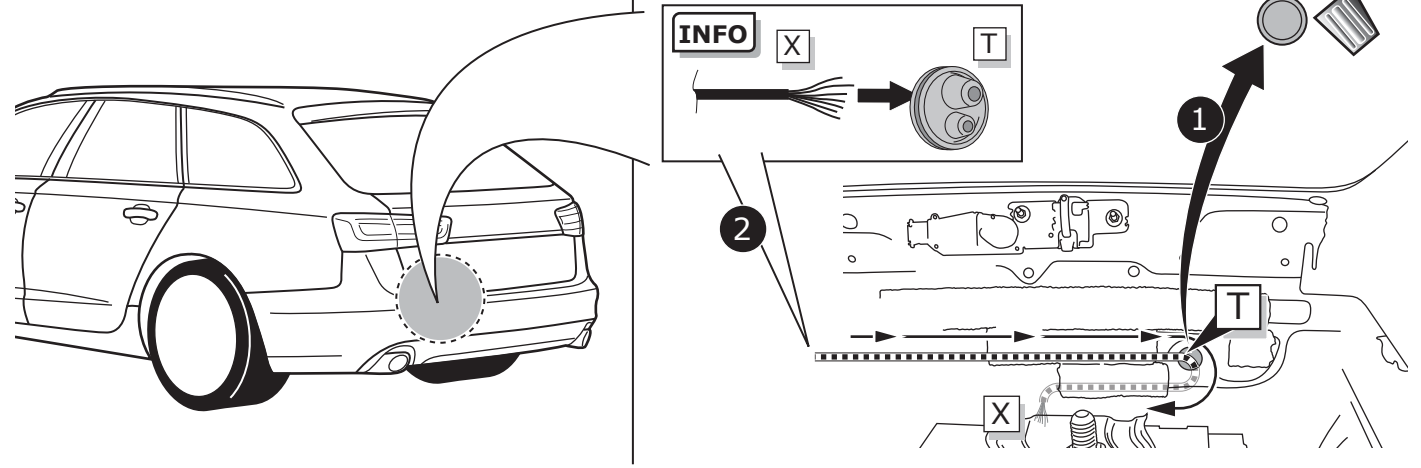


7



A6 Avant

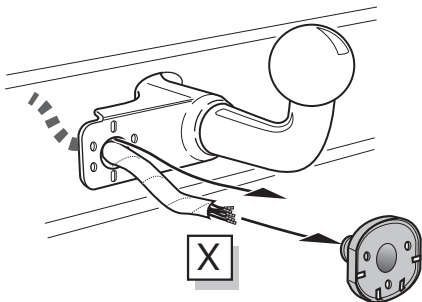
8



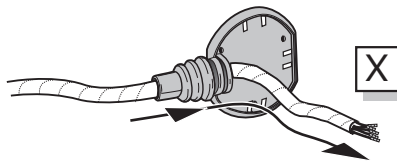
A6 Sedan / A7 Sportback / A6 Avant

A

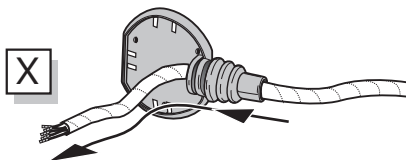
Option 1



Option 2



Option 3



INFO

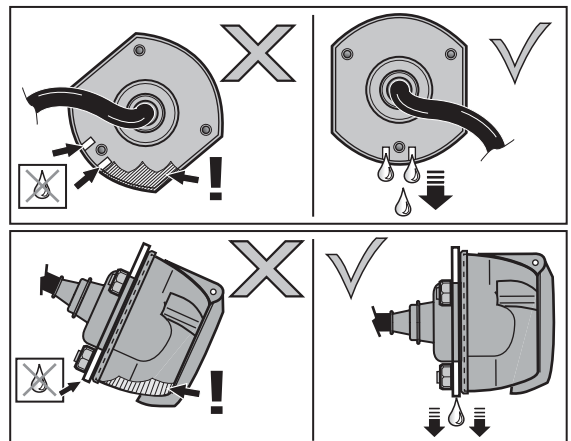
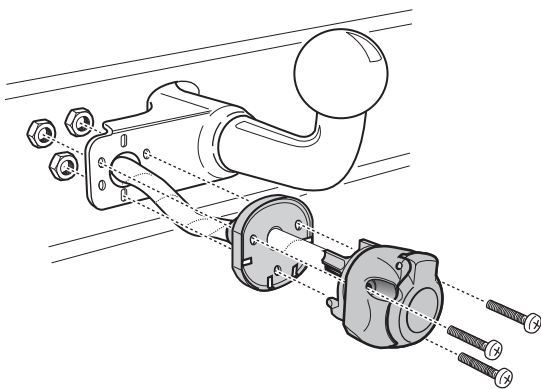
SOCKET CONNECTION



Pag. 18

B

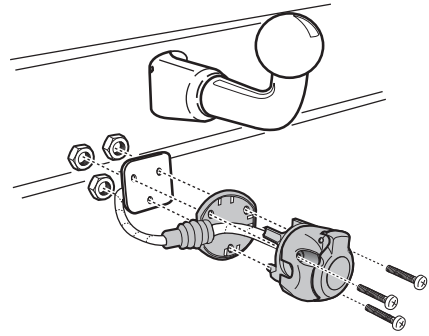
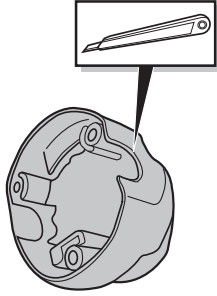
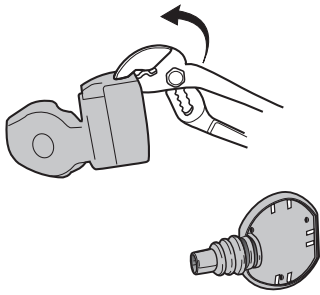
Option 1



A6 Sedan / A7 Sportback / A6 Avant

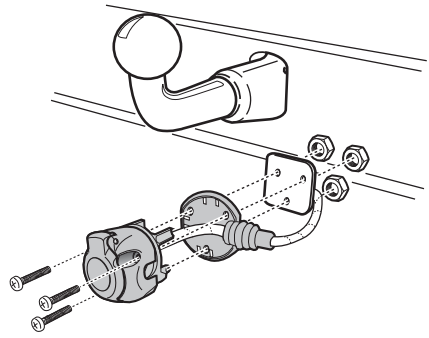
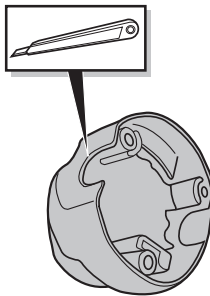
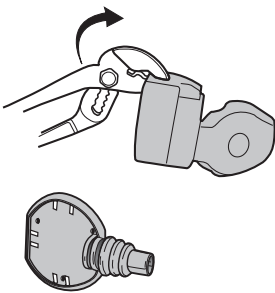
C

Option 2



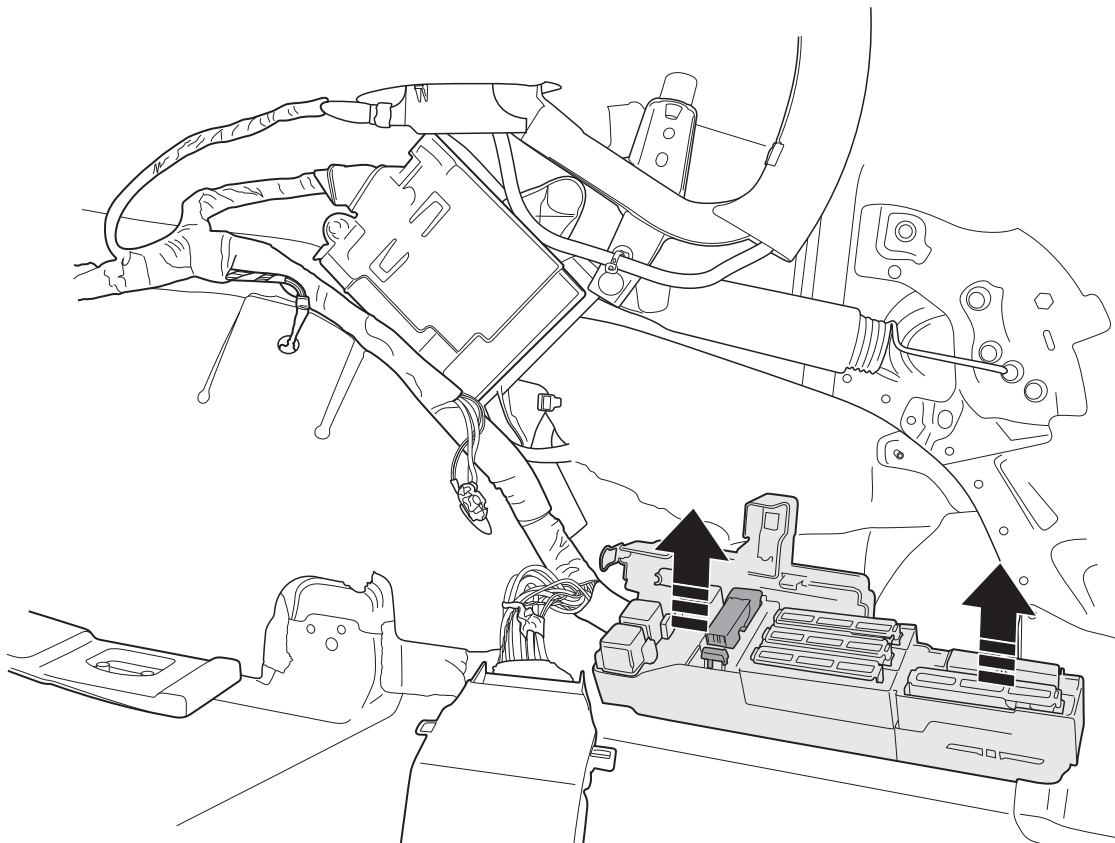
D

Option 3



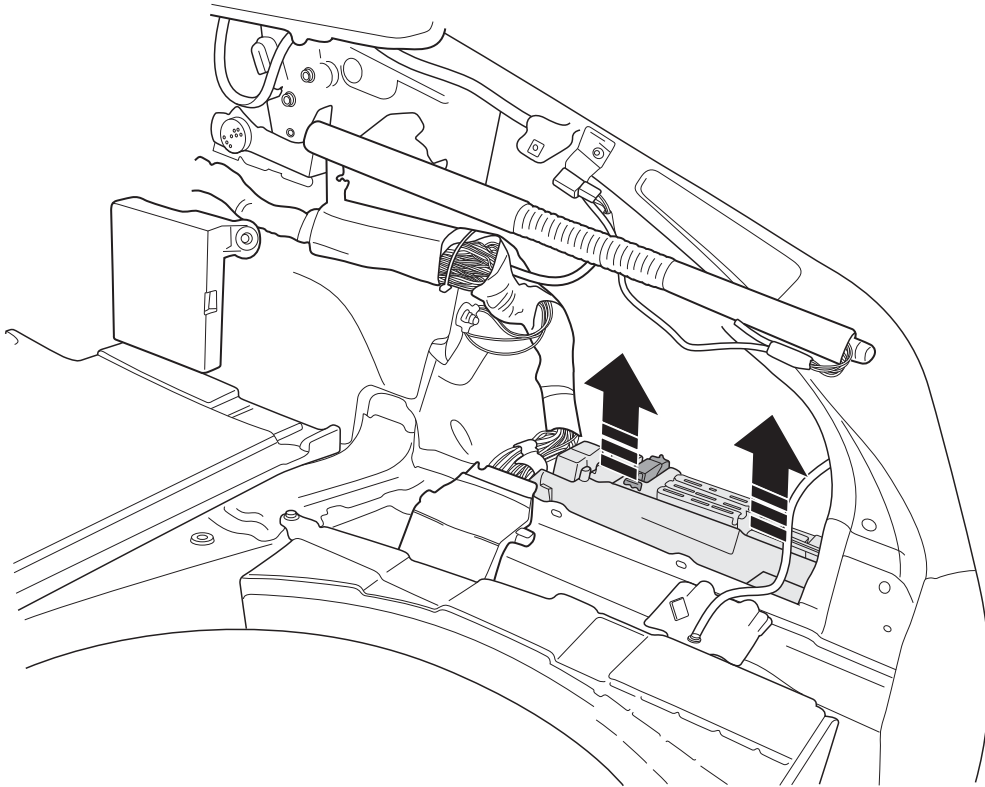
A6 Sedan / A6 Avant

9



A7 Sportback

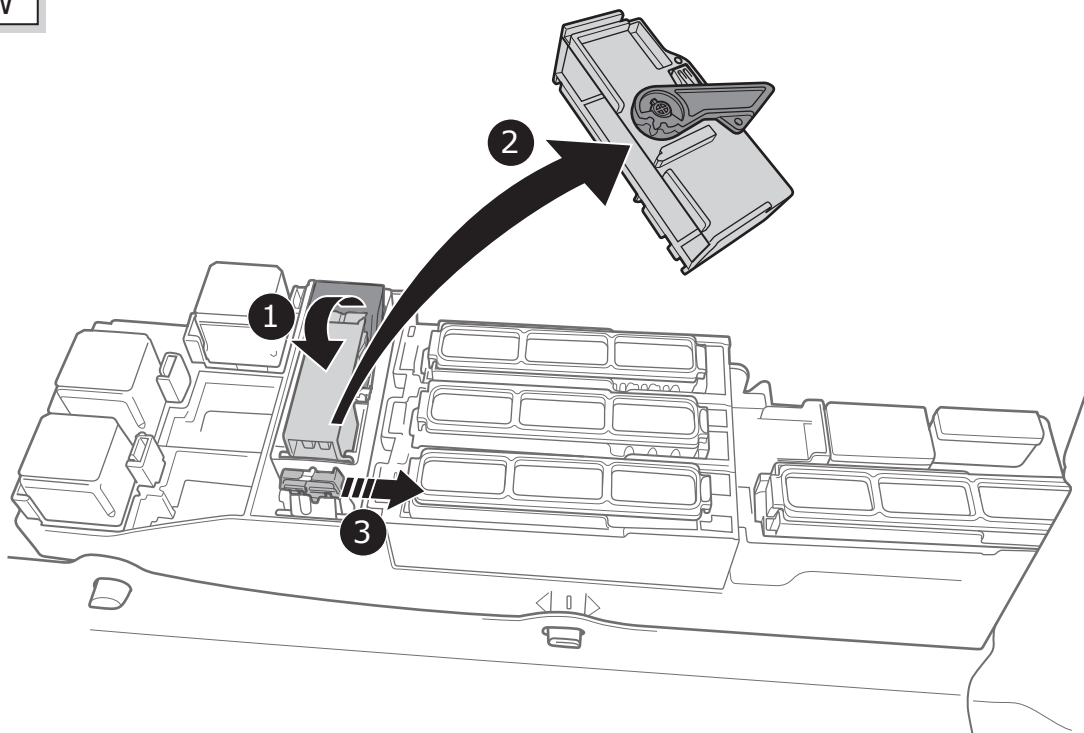
10



A6 Sedan / A7 Sportback / A6 Avant

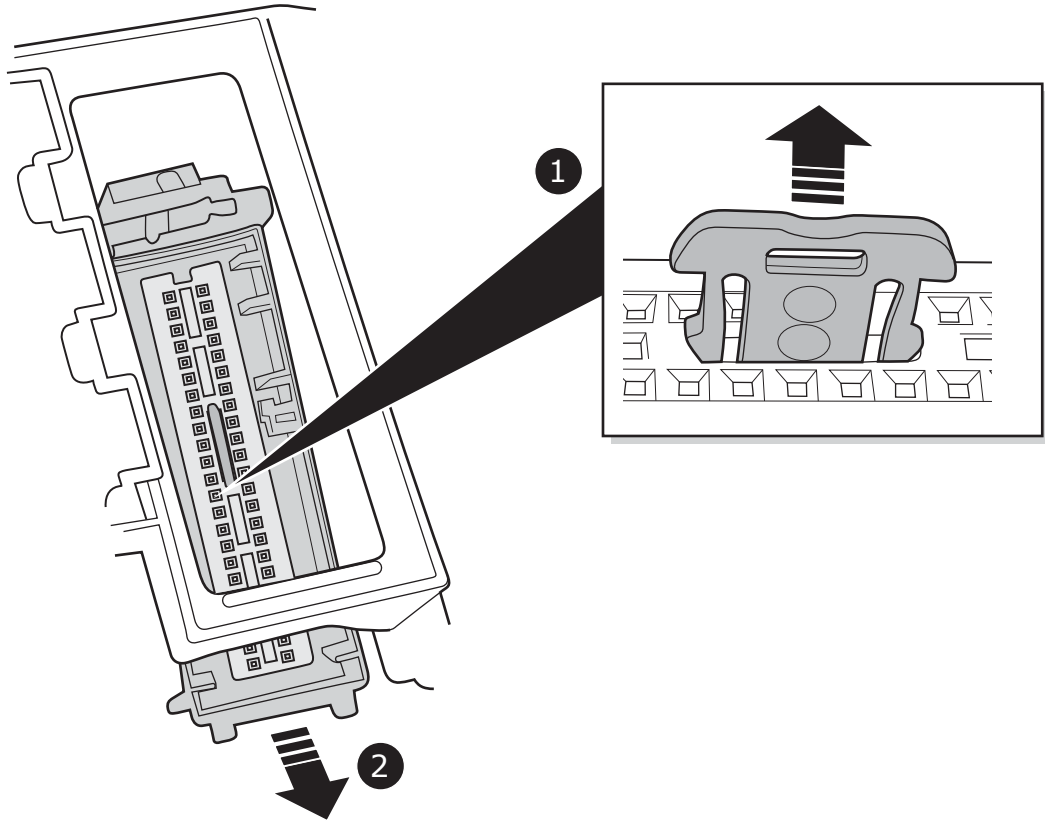
11

CAN HIGH
CAN LOW



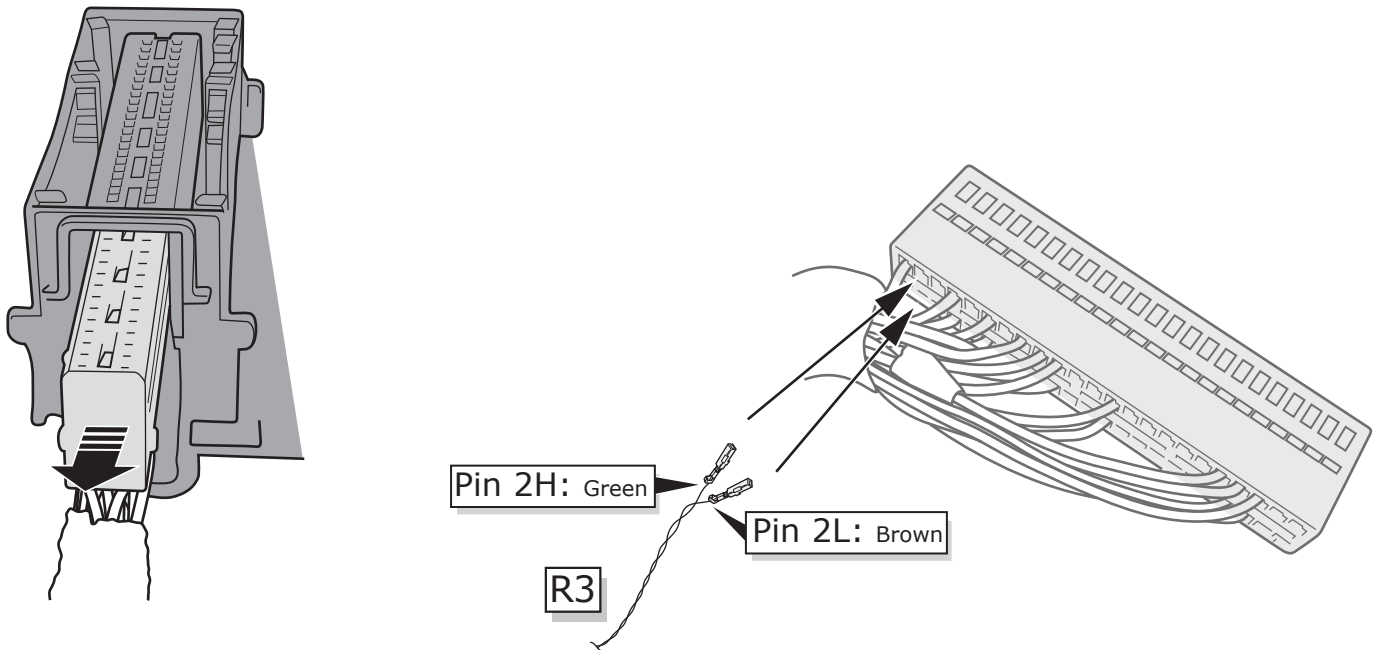
A6 Sedan / A7 Sportback / A6 Avant

12

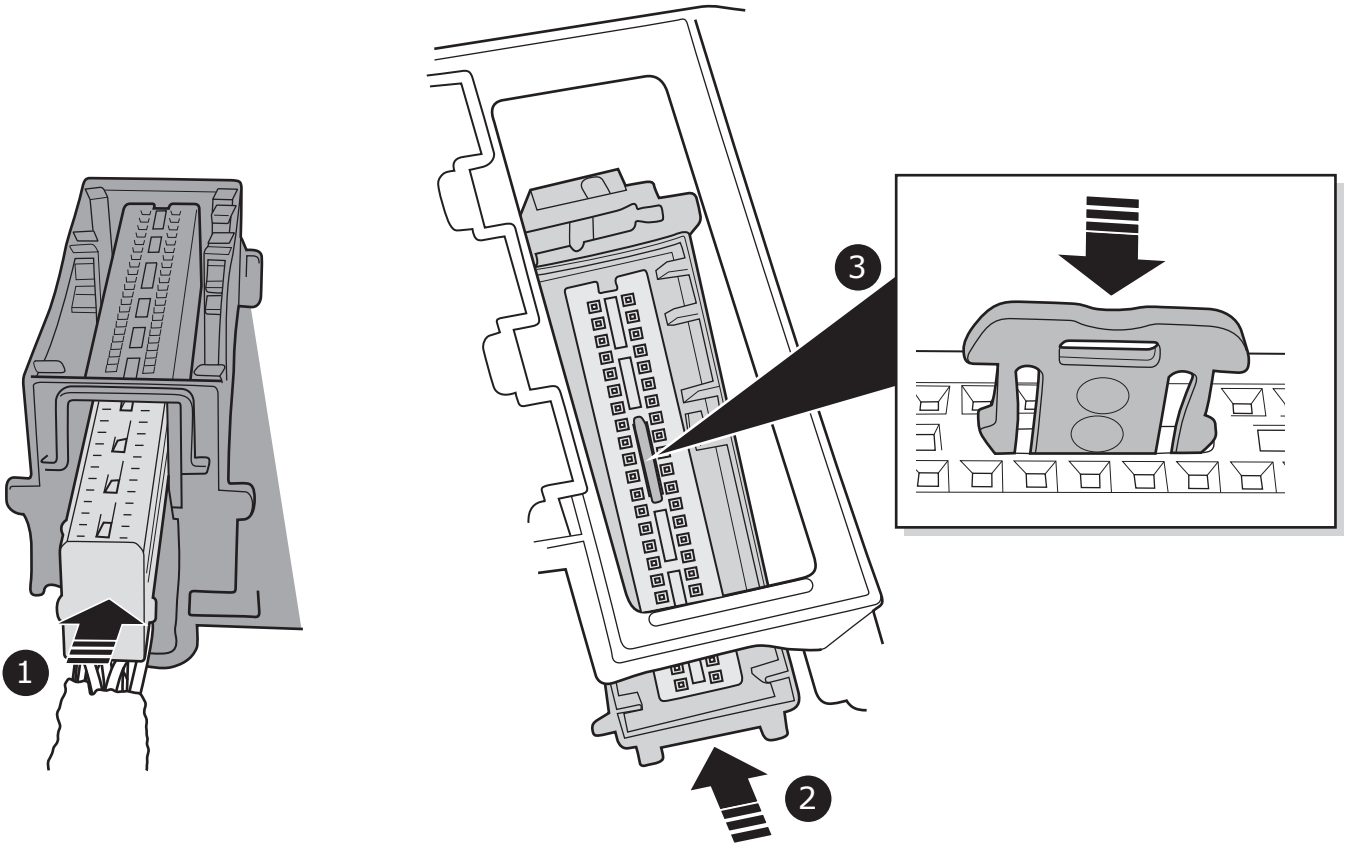


A6 Sedan / A7 Sportback / A6 Avant

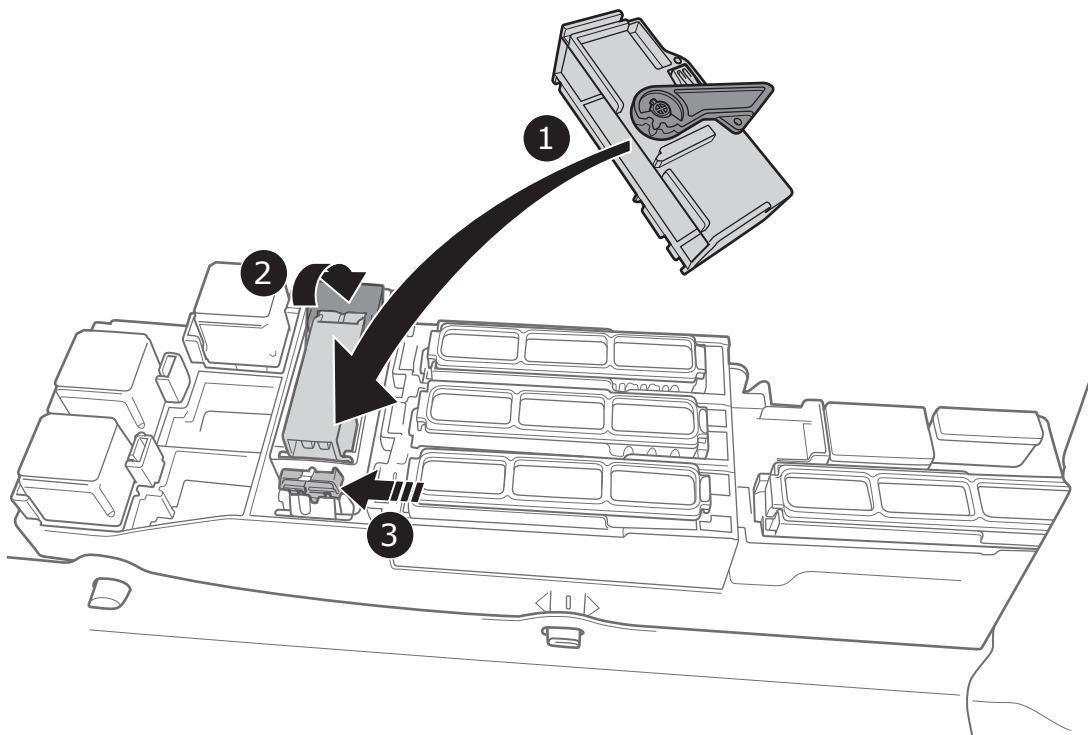
13



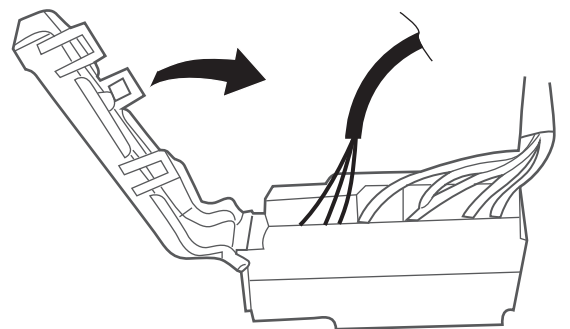
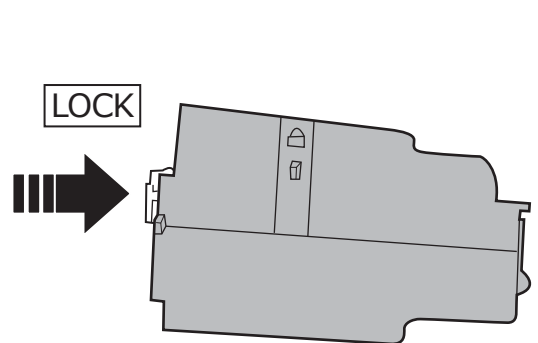
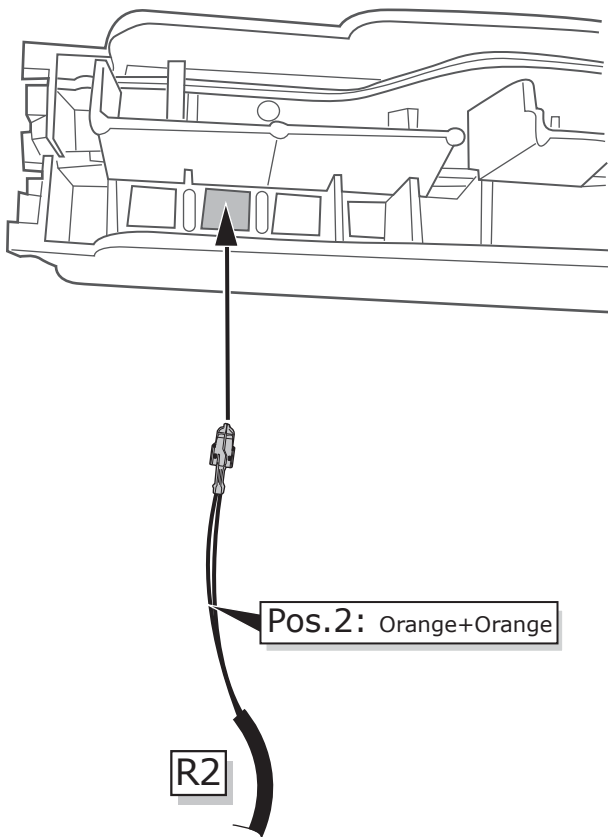
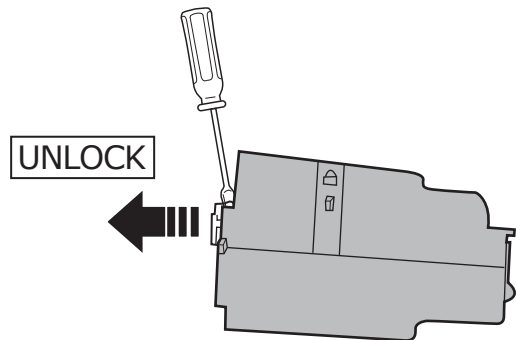
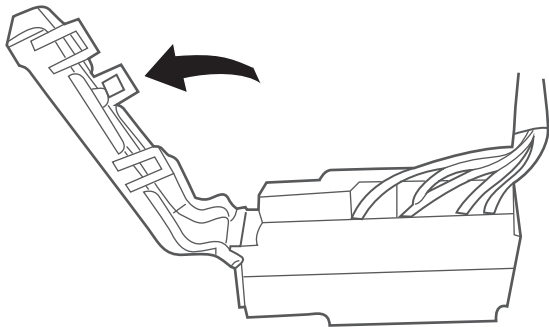
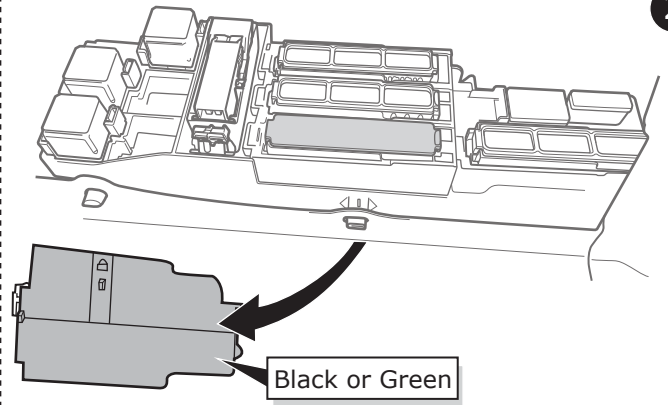
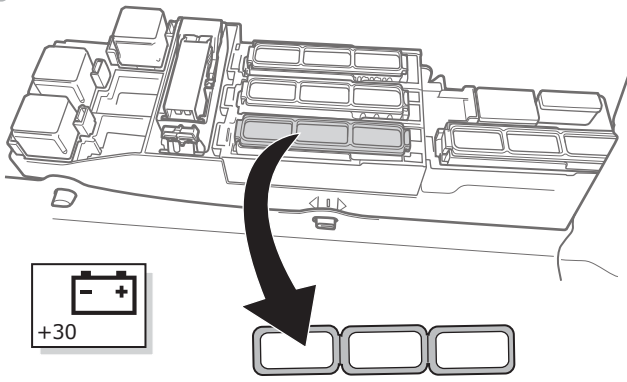
14



15



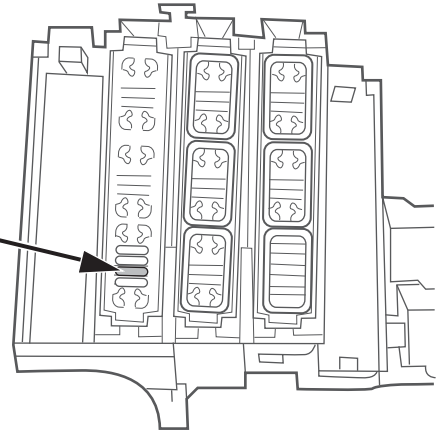
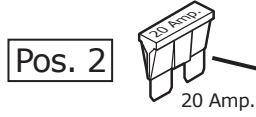
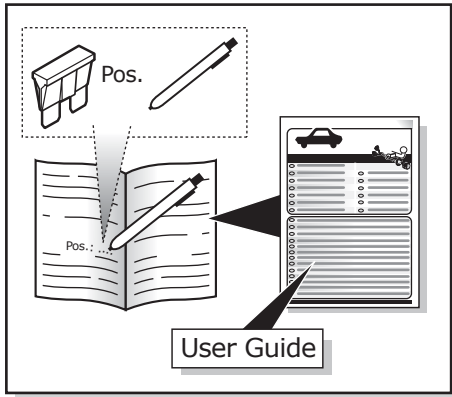
16



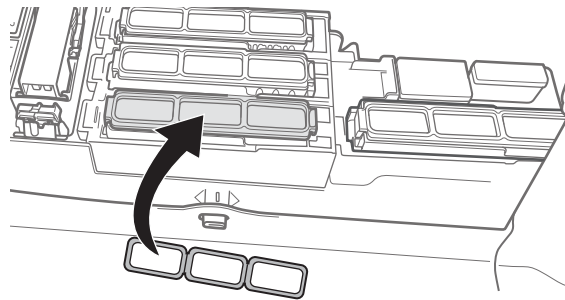
A6 Sedan / A7 Sportback / A6 Avant

17

1

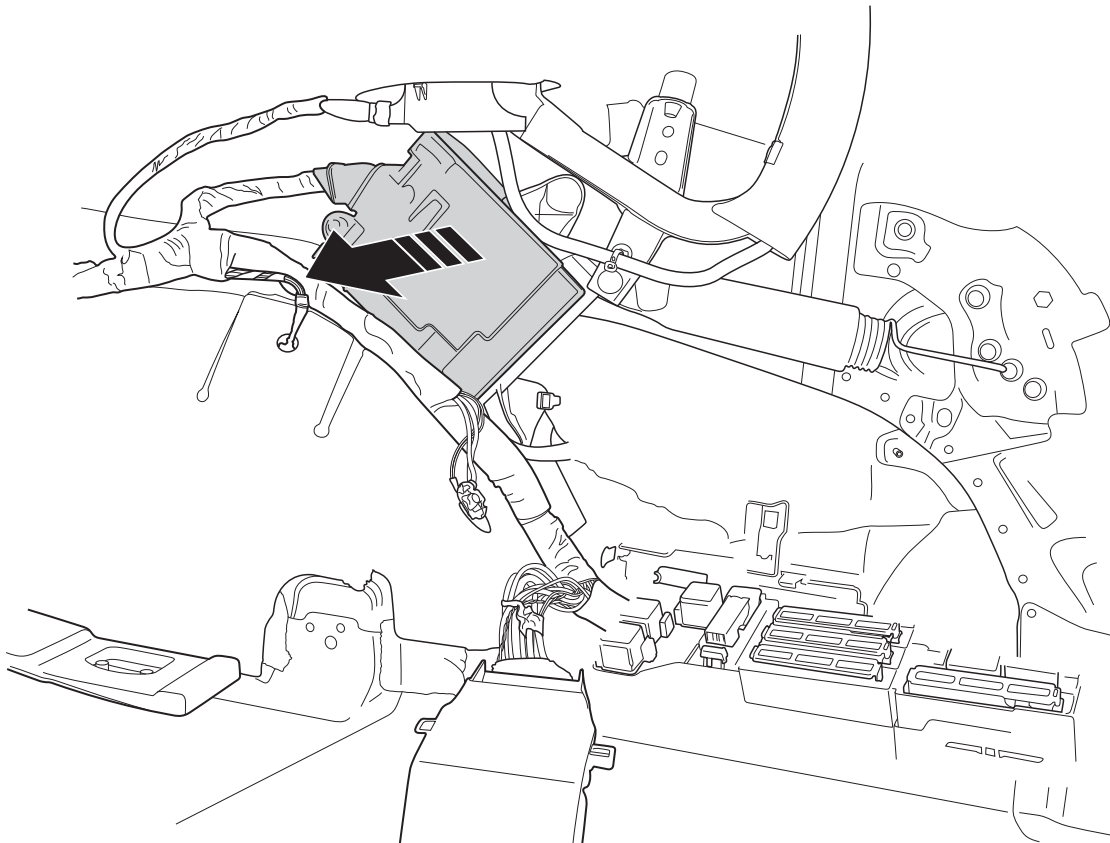


2



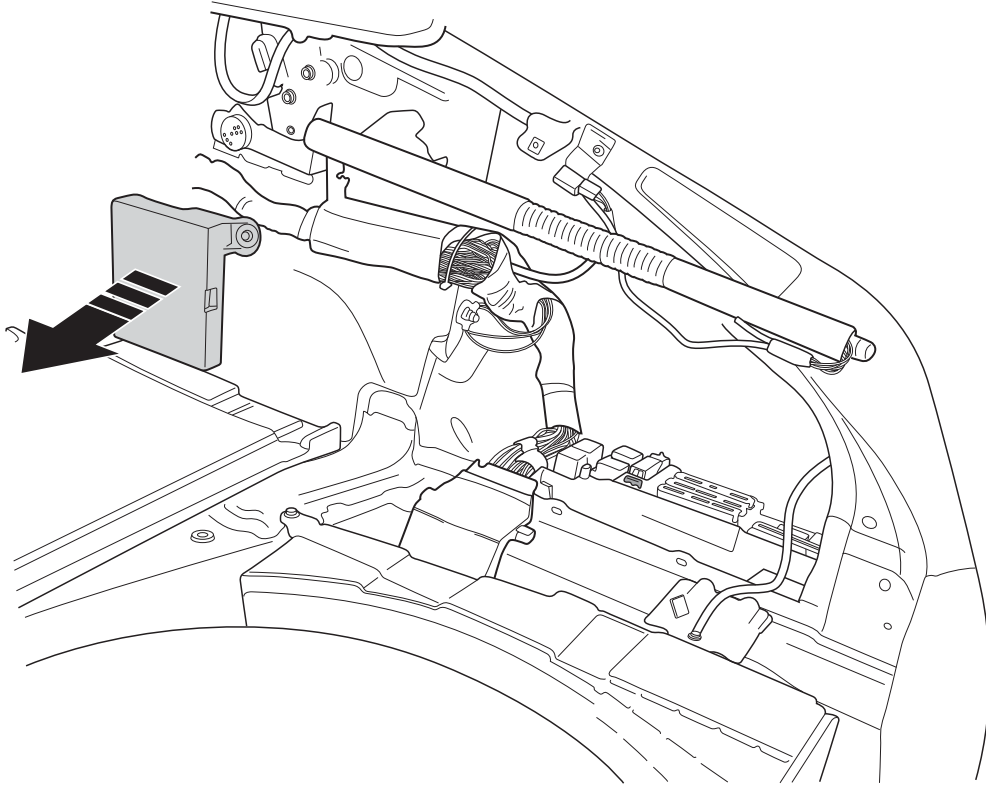
A6 Sedan / A6 Avant

18



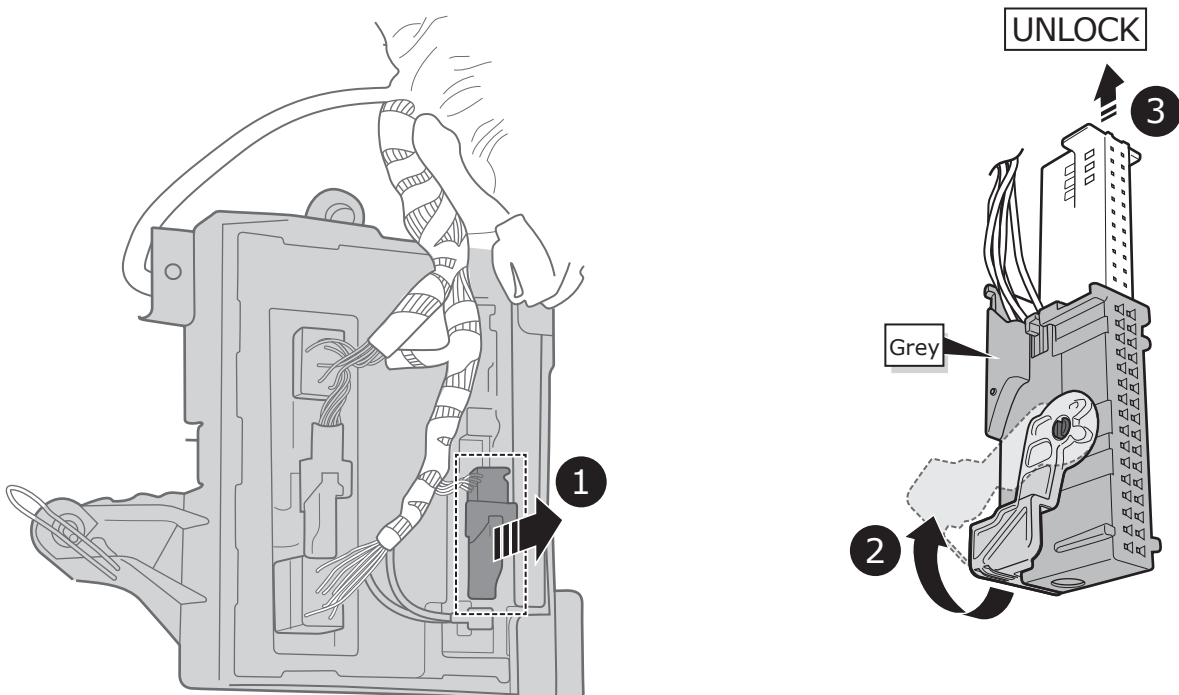
A7 Sportback

19



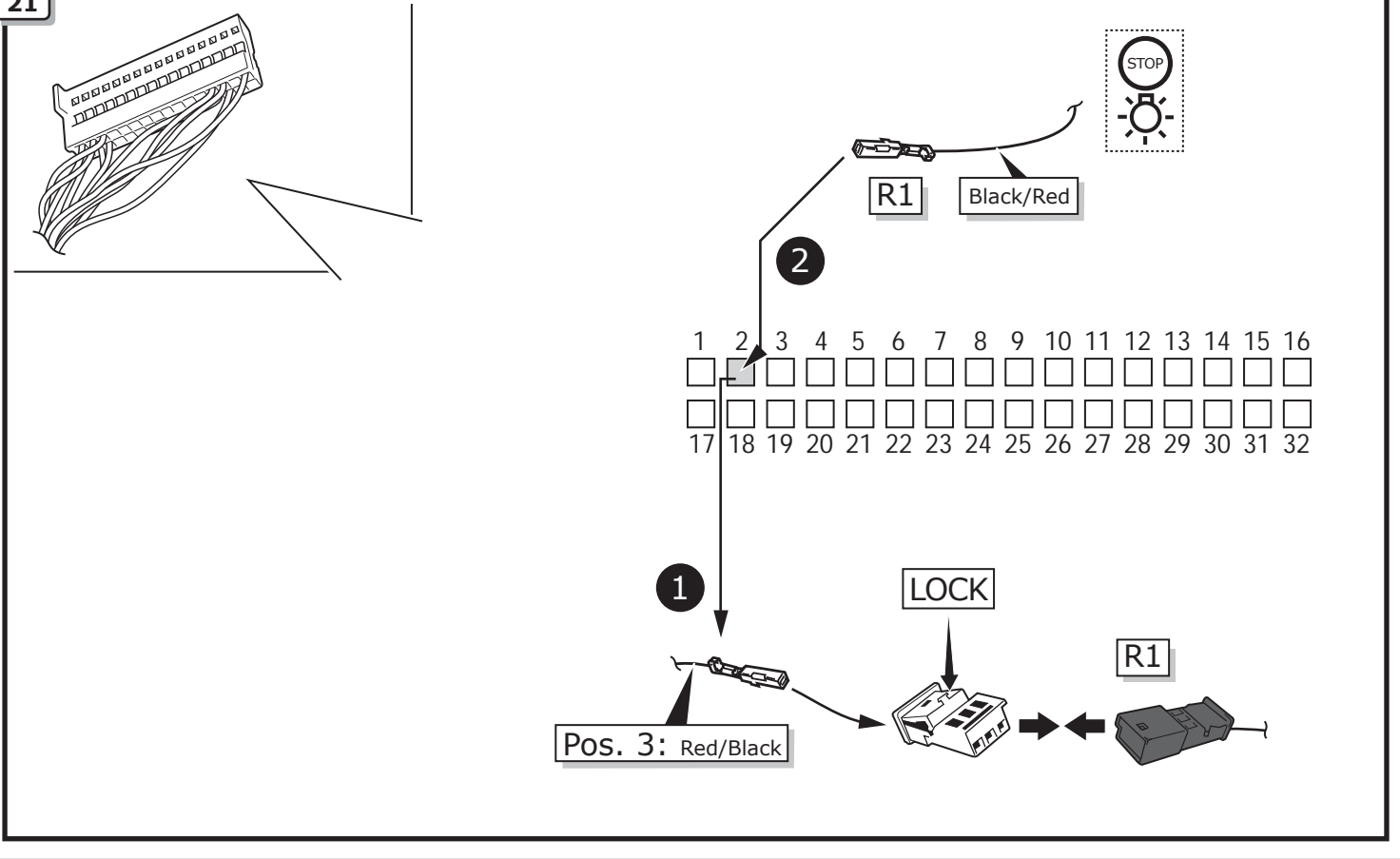
A6 Sedan / A7 Sportback / A6 Avant

20



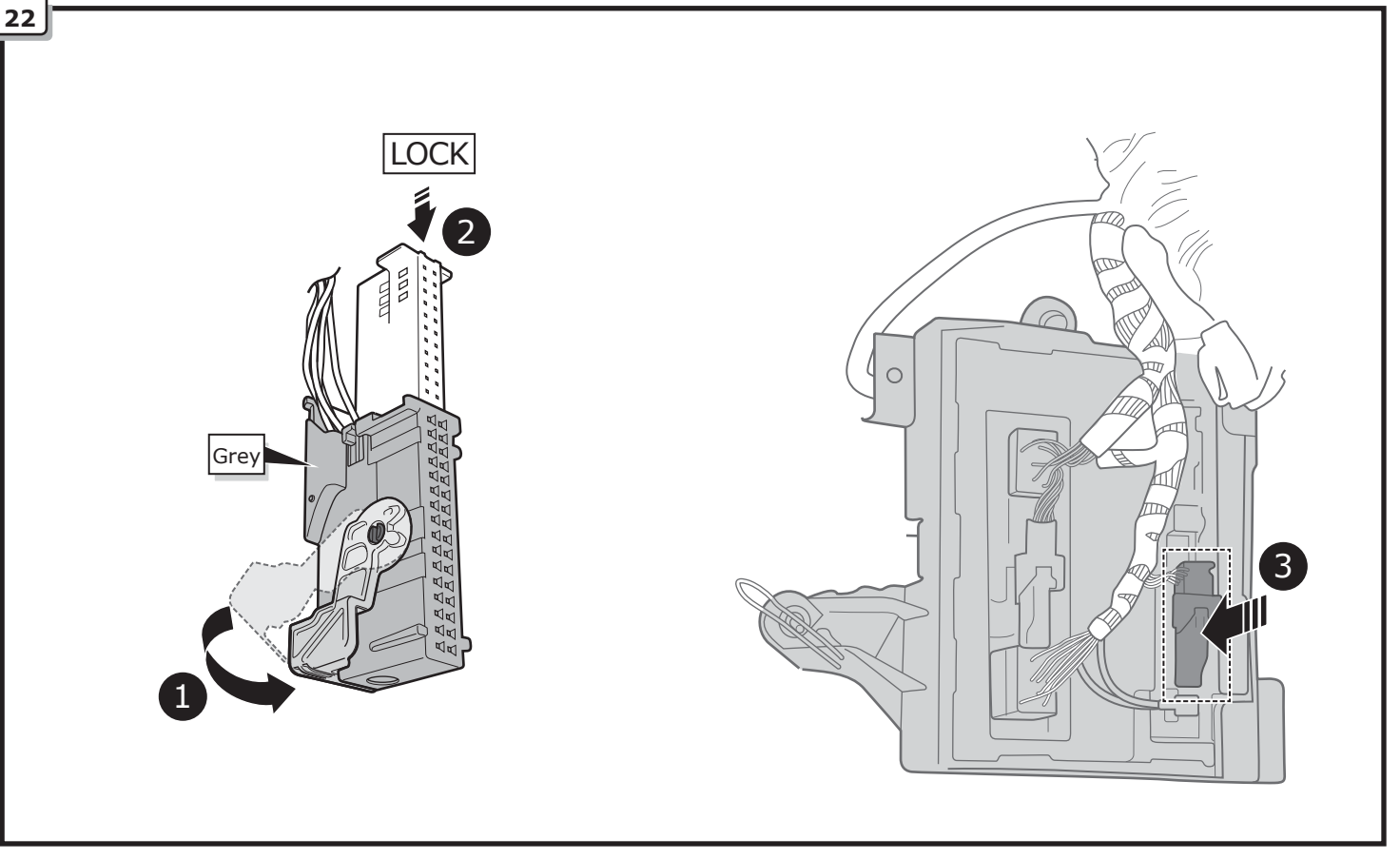
A6 Sedan / A7 Sportback / A6 Avant

21



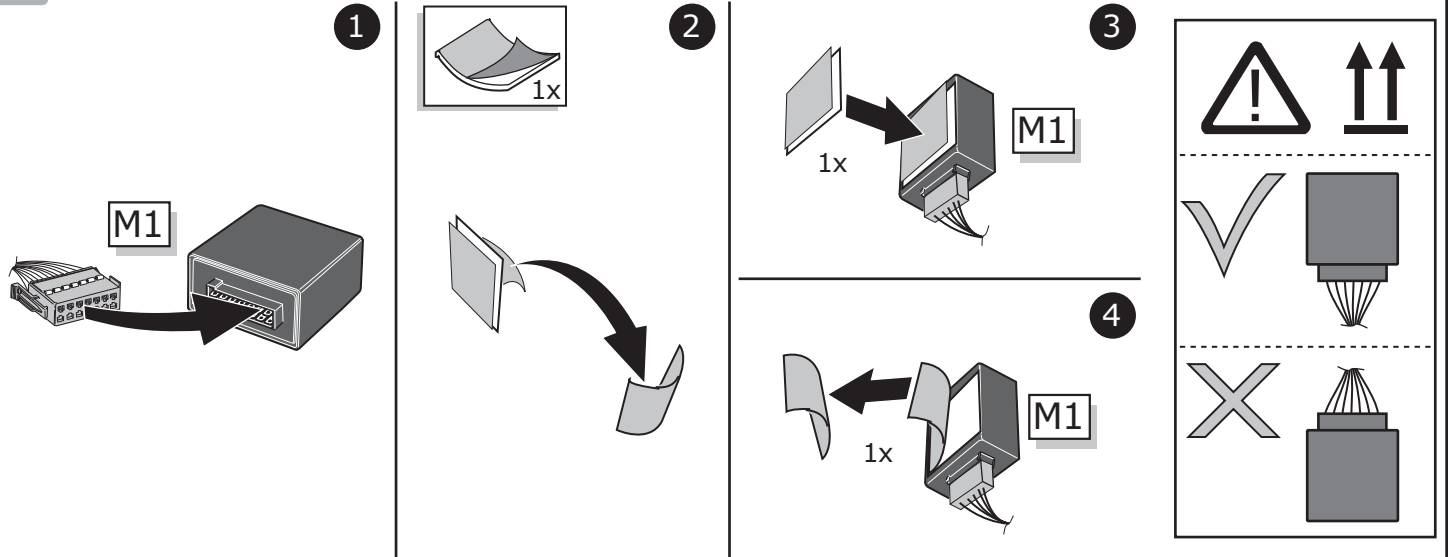
A6 Sedan / A6 Avant

22



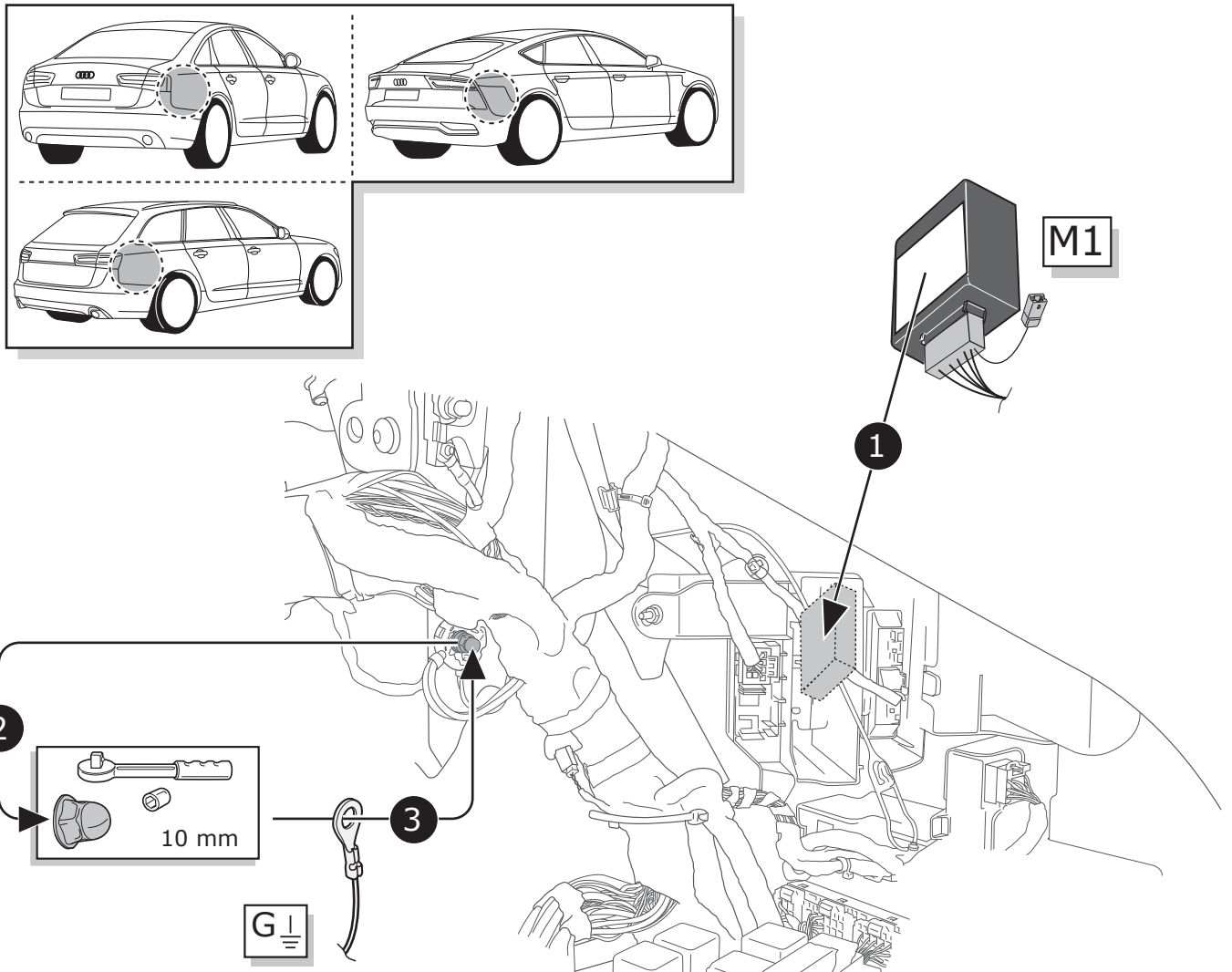
A6 Sedan / A7 Sportback / A6 Avant

23

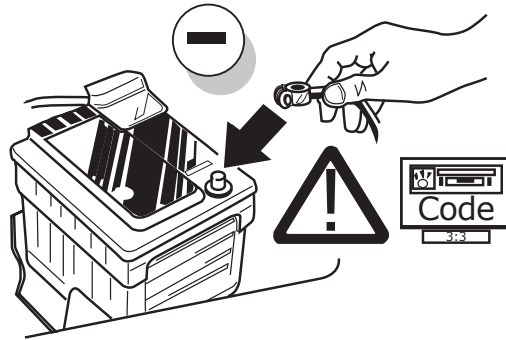


A6 Sedan / A7 Sportback / A6 Avant

24



25



INFO

With a VAG Service tester with the help of SVM code '050200' the software of the vehicle must be adjusted to trailer coupling converted D12.

26

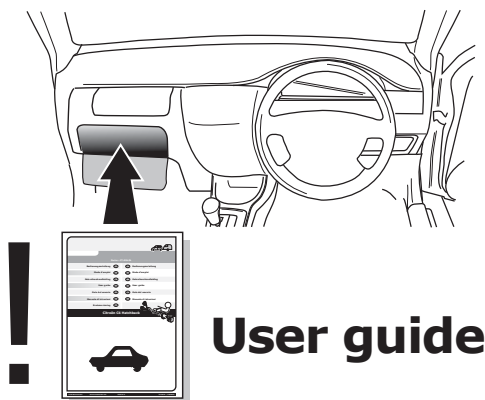


TEST ALL THE CIRCUITS WITH A TEST DEVICE WITH THE CORRECT POWER LOAD FOR EACH FUNCTION. A TEST DEVICE WITH LED'S CANNOT BE USED FOR THIS PURPOSE.

INFO

REINSTALL TRIM.

27



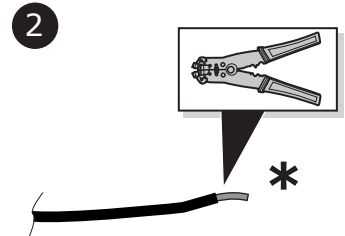
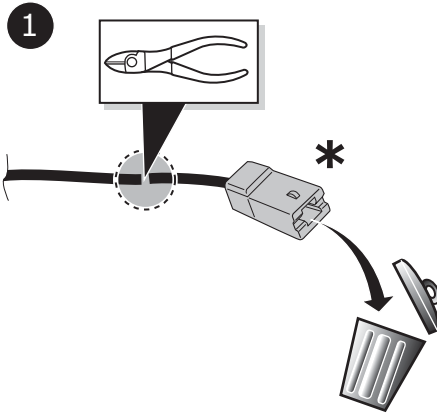
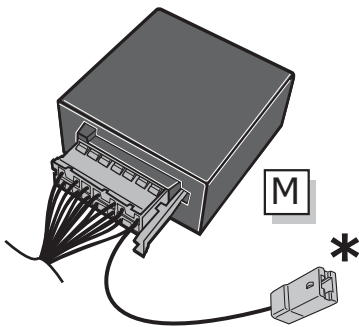
A technical support banner for ECS Electronics. It features a headset icon with the phone number 'CALL 07440 202 052'. The text 'TECHNICAL SUPPORT' is written diagonally in the top left corner. At the bottom, it lists the company name 'ECS ELECTRONICS', the operating hours 'MONDAY TO FRIDAY 08.00 - 11.00 am 12.00 - 05.00 pm', and contact information 'ukts@ecs-electronics.com www.ecs-electronicsuk.co.uk'.

SOCKET CONNECTION

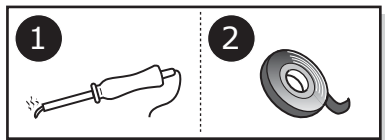
DIN/ISO 1724							
	1/L	2	3/31	4/R	5/58-R	6/54	7/58-L
Pmax	21W	21W		21W	42W	3x21W	42W
Colour	Black/ White	Blue	Brown	Black/ Green	Grey/ Red	Black/ Red	Grey/ Black

Reverse signal preparation

A



B



MAX = 21W

