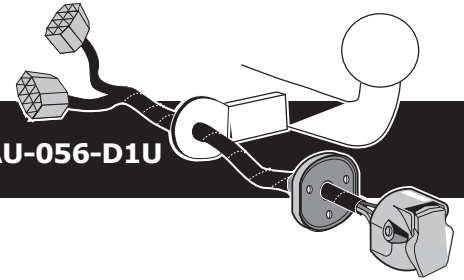


Audi A6 Sedan 2011- (4G)
Audi A7 Sportback 2010- (4G)
Audi A6 Avant 2012- (4G5)



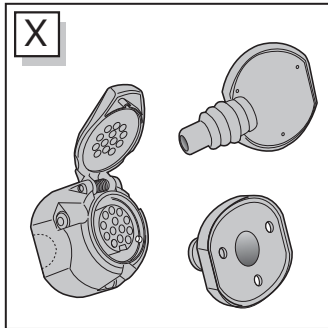
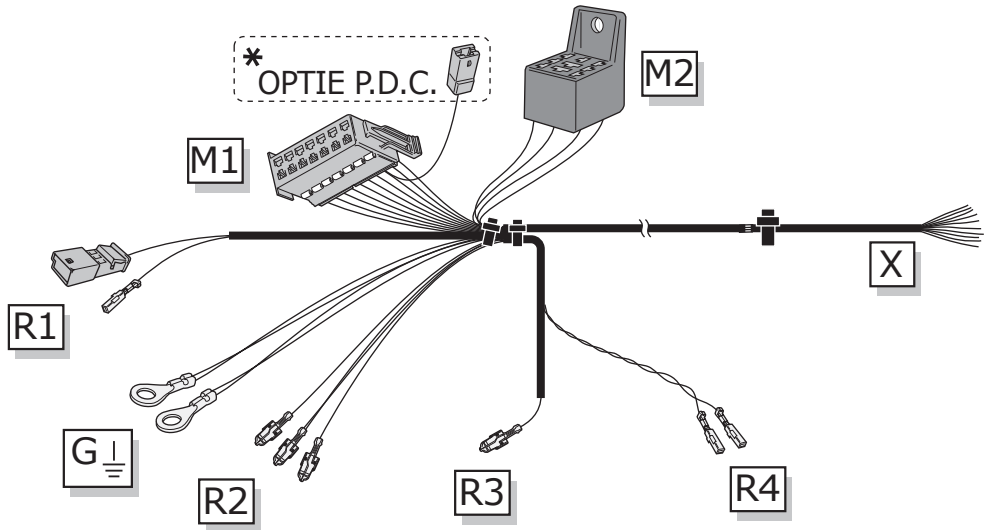
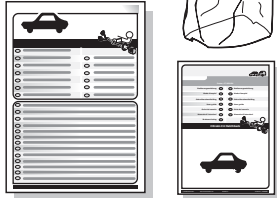
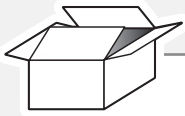
Only for models without towbar preparation

Partnr.: AU-056-D1U

- Fitting instructions electric wiring kit tow bar with 13-P socket up to DIN/ISO Norm 11446.
- We would expressly point out that assembly not carried out properly by a competent installer will result in cancellation of any right to damage compensation, in particular those arising by virtue of the product liability act.
- Contents of these kits and their fitting manuals are subject to alteration without notice, please ensure that these instructions are read and fully understood before commencing installation.
- Do not overload circuits; the maximum loads per connection are detailed in this manual.
- Attention! Before Installation, please read this manual carefully and inform your customer to consult the vehicle owners manual to check for any vehicle modifications required before towing.
- In the event of functional problems, troubleshooting must be limited to about 0.5 hours, contact the technical support:
ukts@ecs-electronics.com / 07440 202 052.



Part list



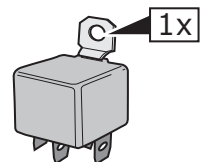
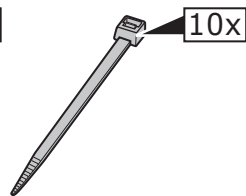
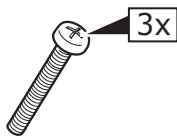
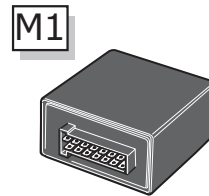
Option P.D.C. *

PARK DISTANCE CONTROL

↓

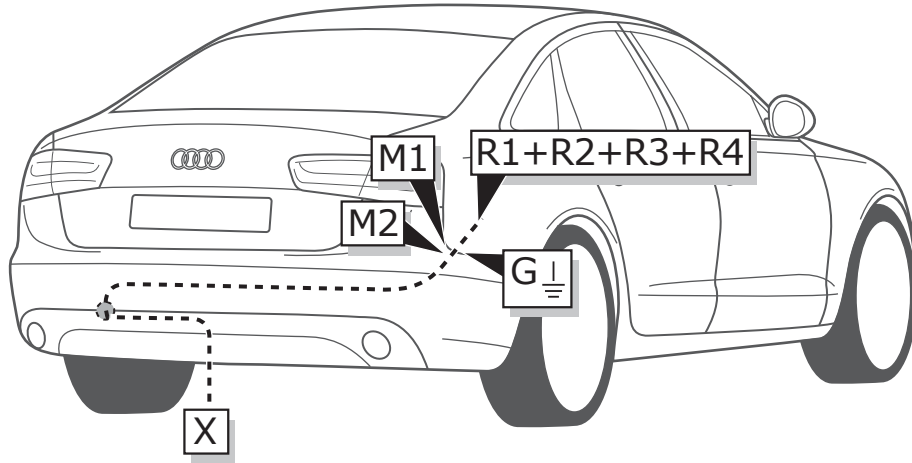
PARK DISTANCE CONTROL

For not OEM P.D.C. System use the: VW-083-ZZ



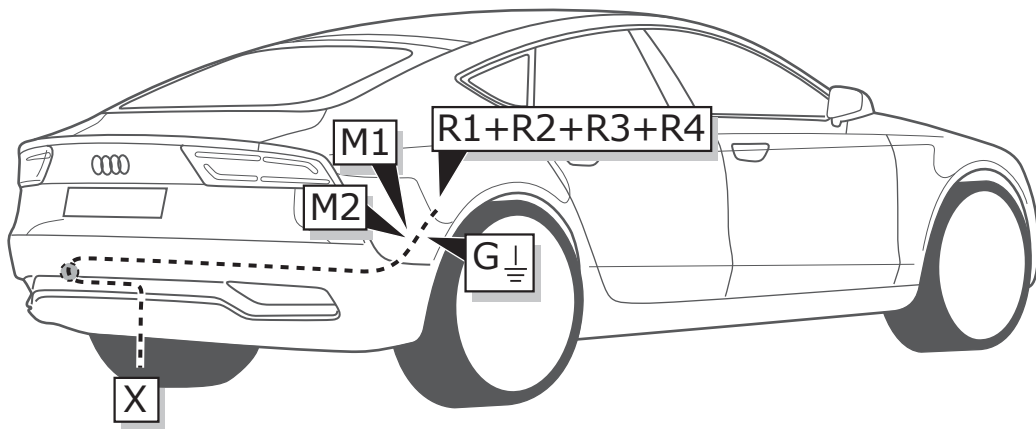
Audi A6 Sedan

ROUTING



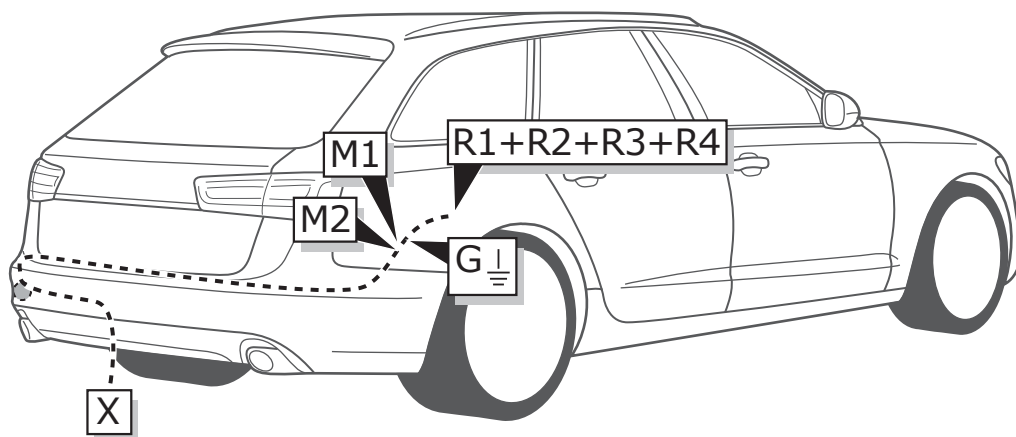
Audi A7 Sportback

ROUTING



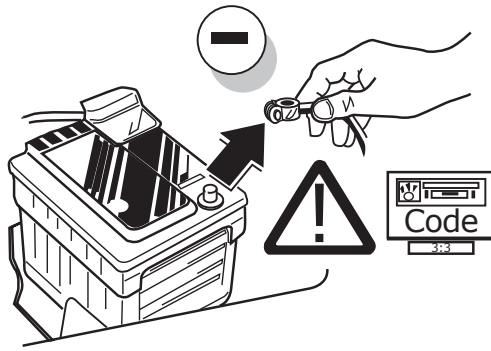
Audi A6 Avant

ROUTING



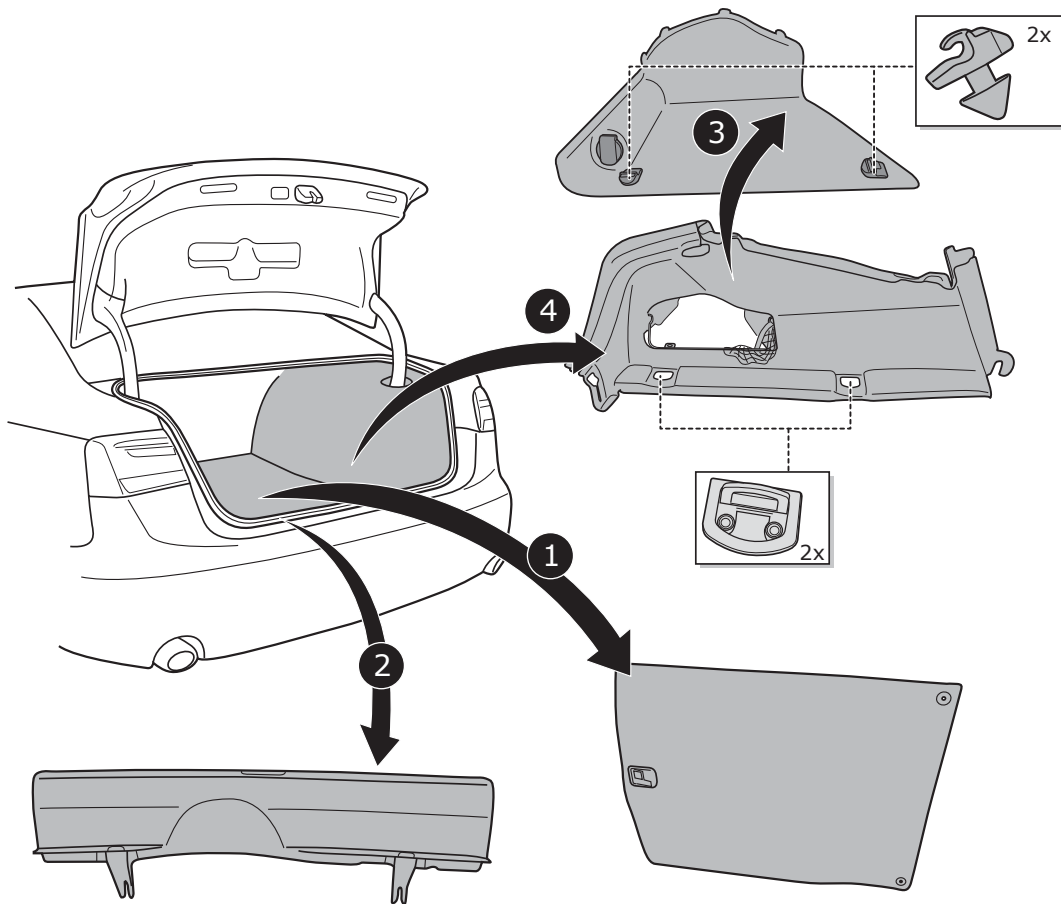
All Models

1



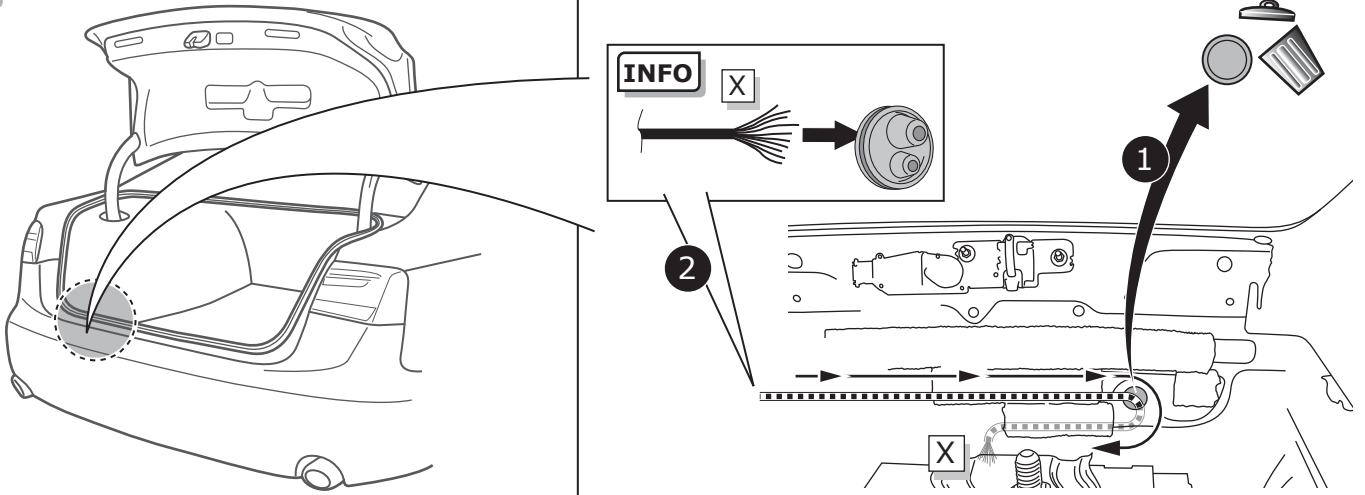
A6 Sedan

2



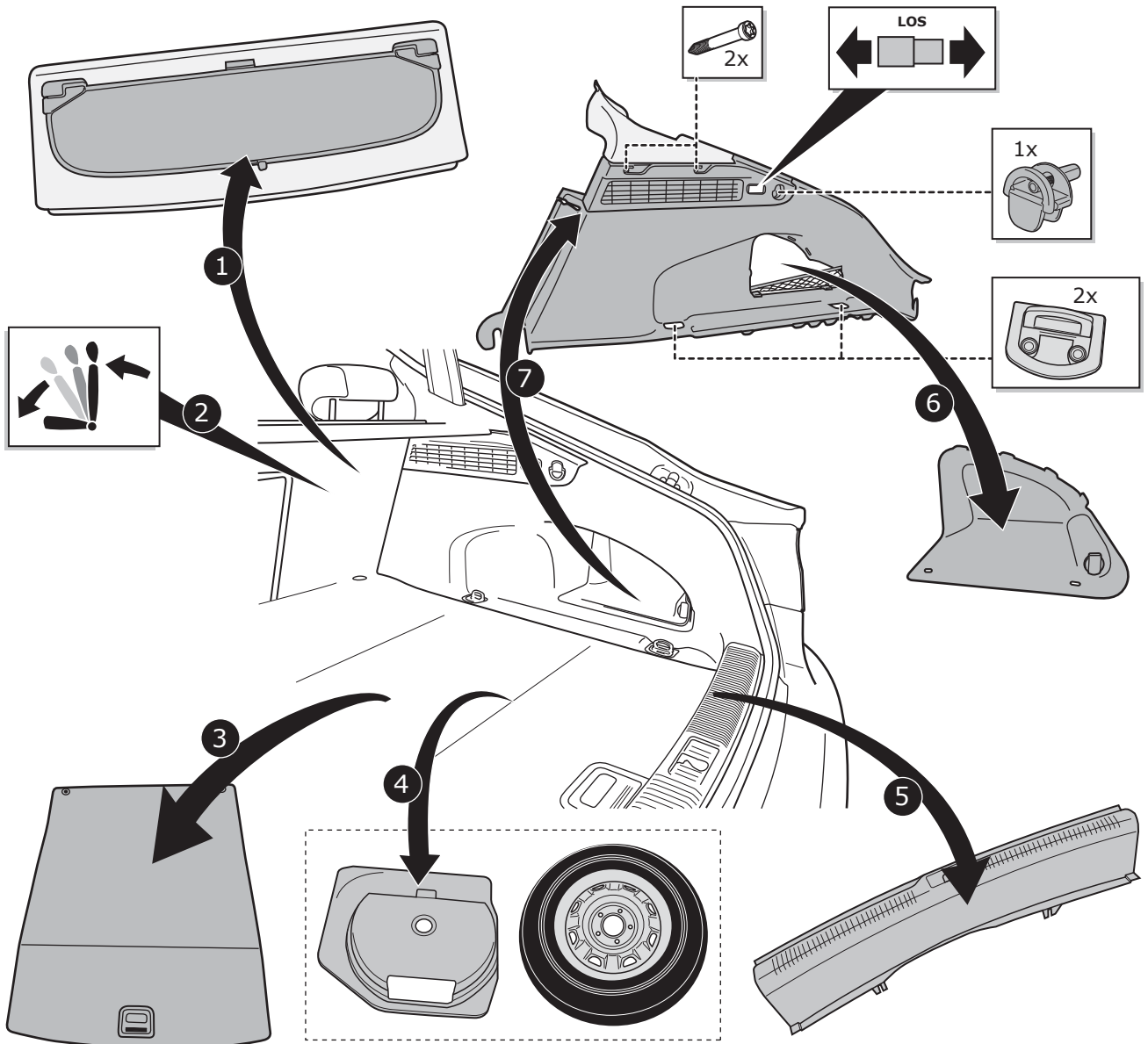
A6 Sedan

3



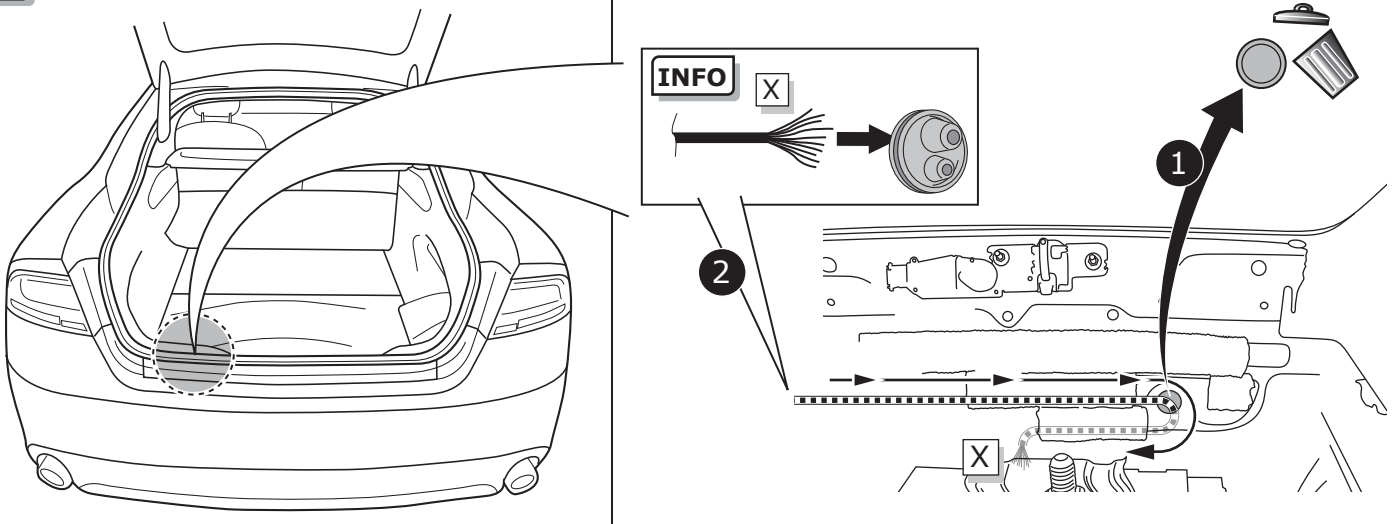
A7 Sportback

4



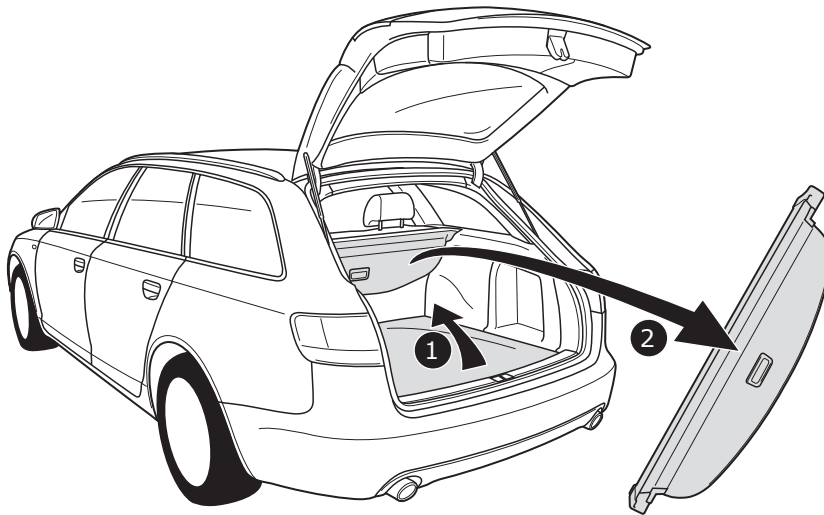
A7 Sportback

5

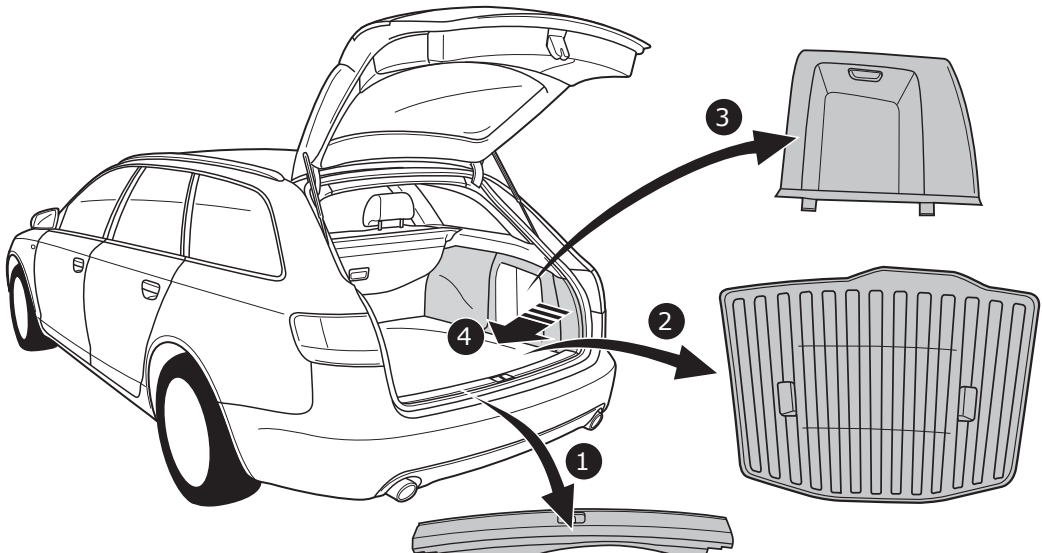


A6 Avant

6

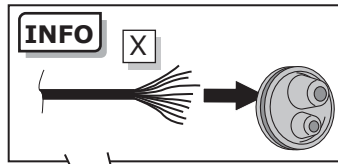
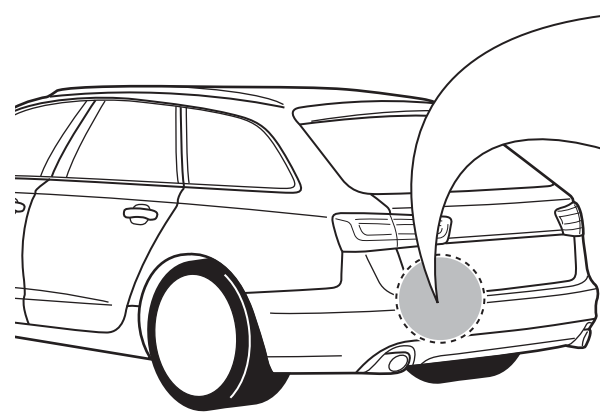


7

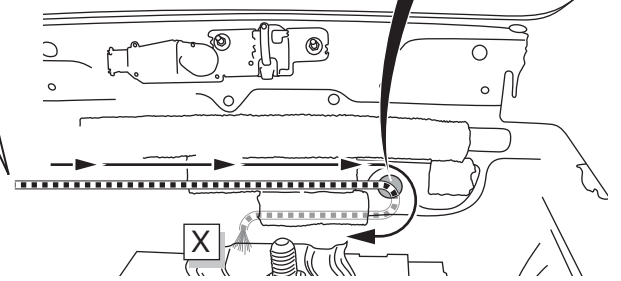


A6 Avant

8



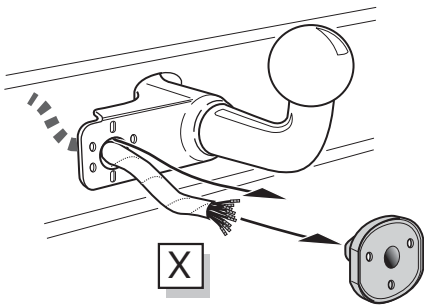
2



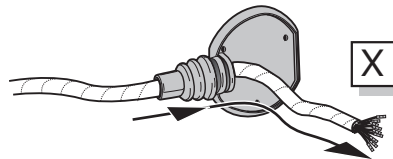
A6 Sedan / A7 Sportback / A6 Avant

A

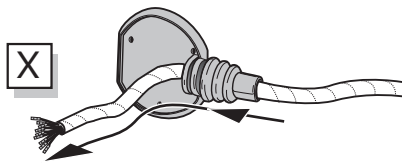
Option 1



Option 2



Option 3



INFO

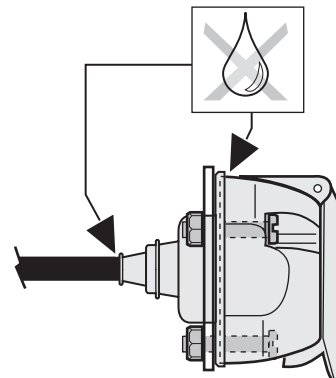
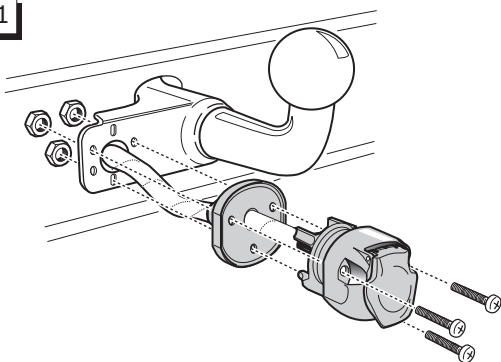
SOCKET CONNECTION



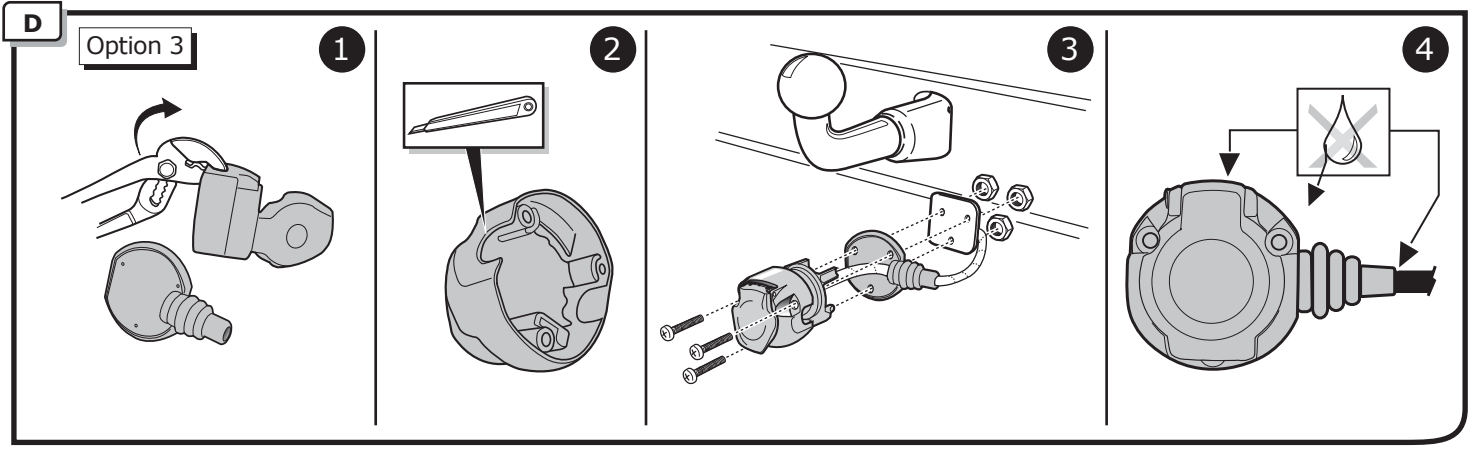
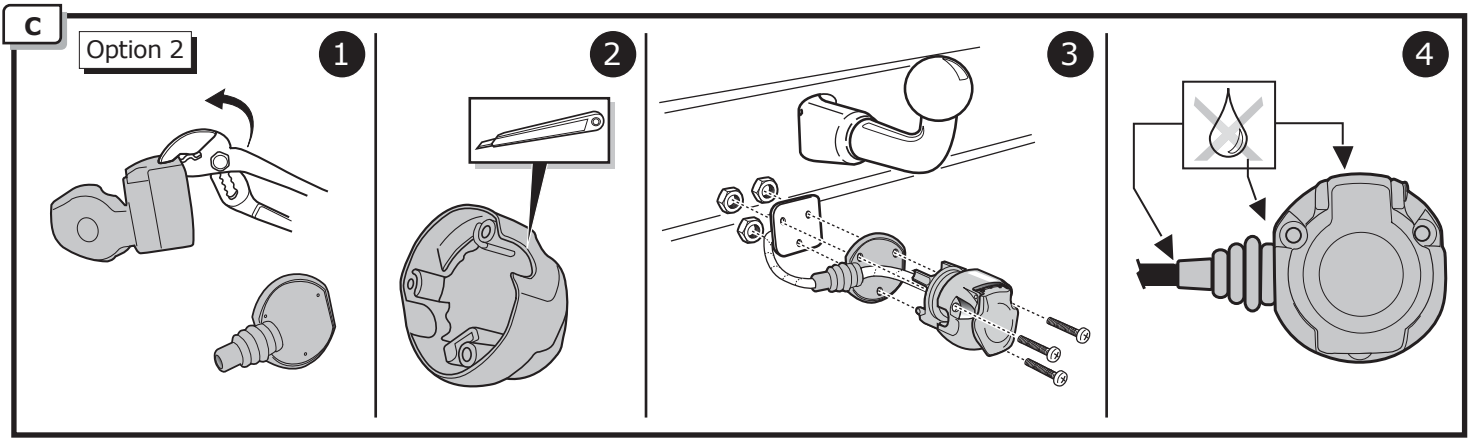
Pag. 19

B

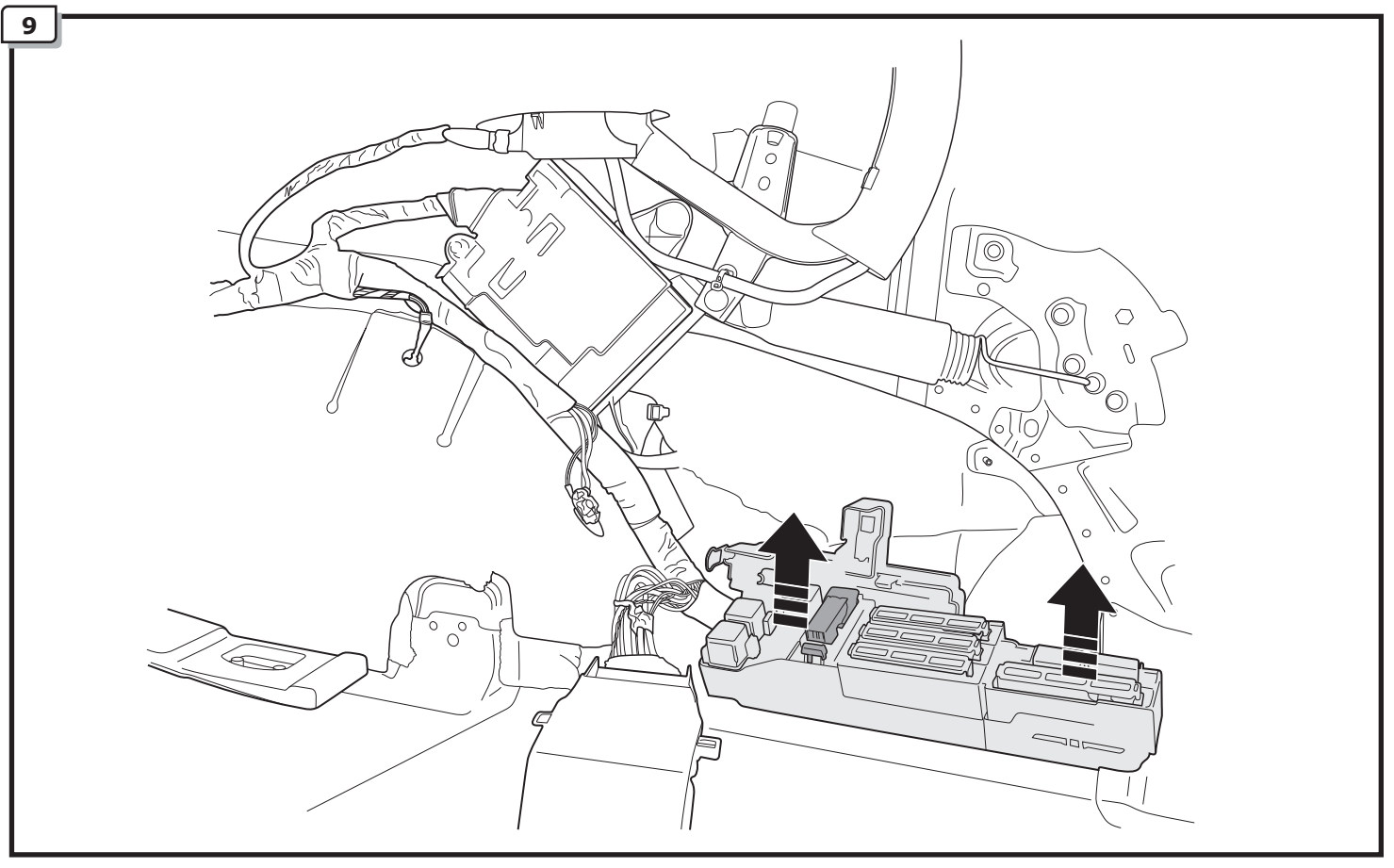
Option 1



A6 Sedan / A7 Sportback / A6 Avant

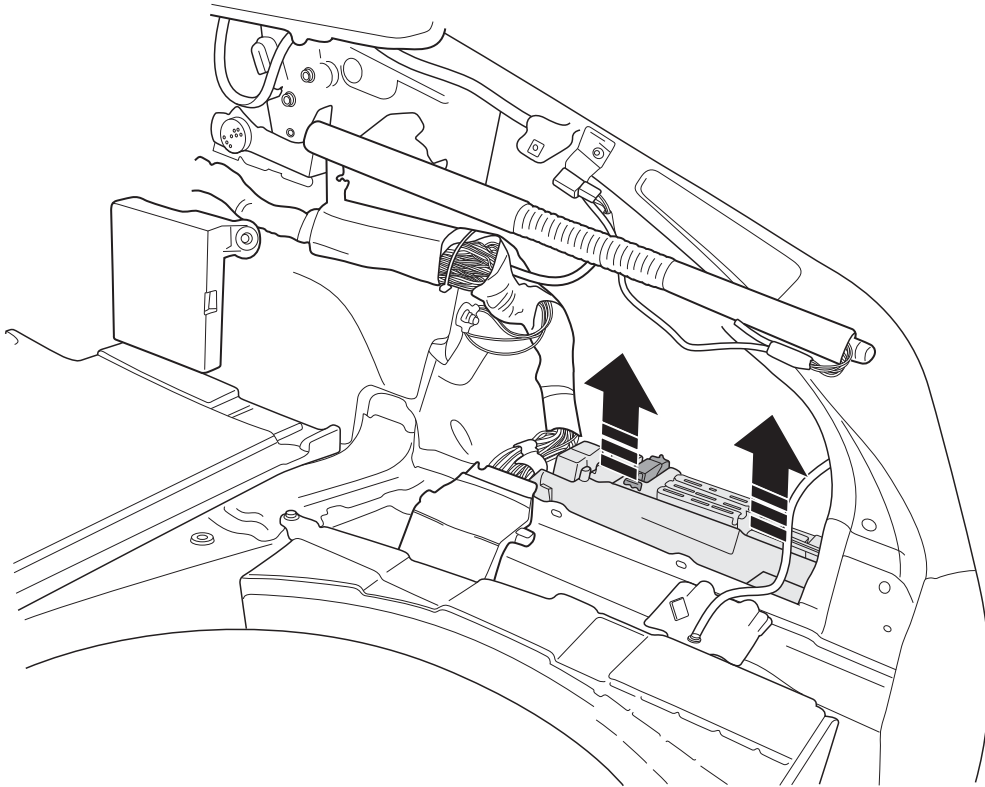


A6 Sedan / A6 Avant



A7 Sportback

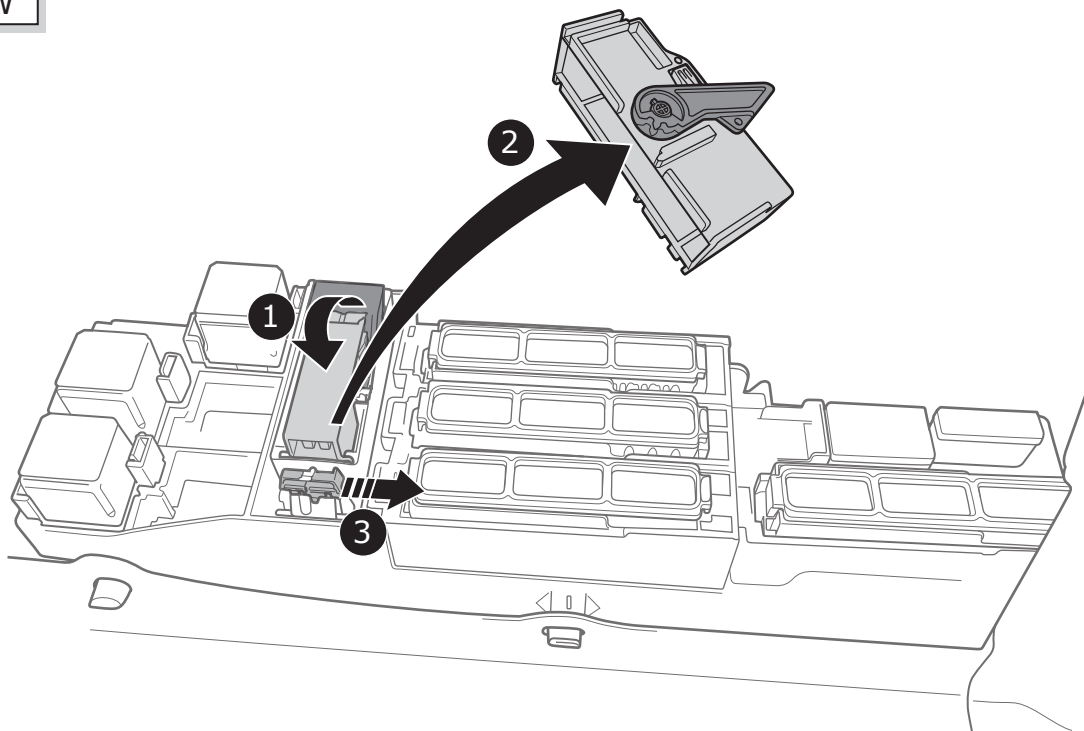
10



A6 Sedan / A7 Sportback / A6 Avant

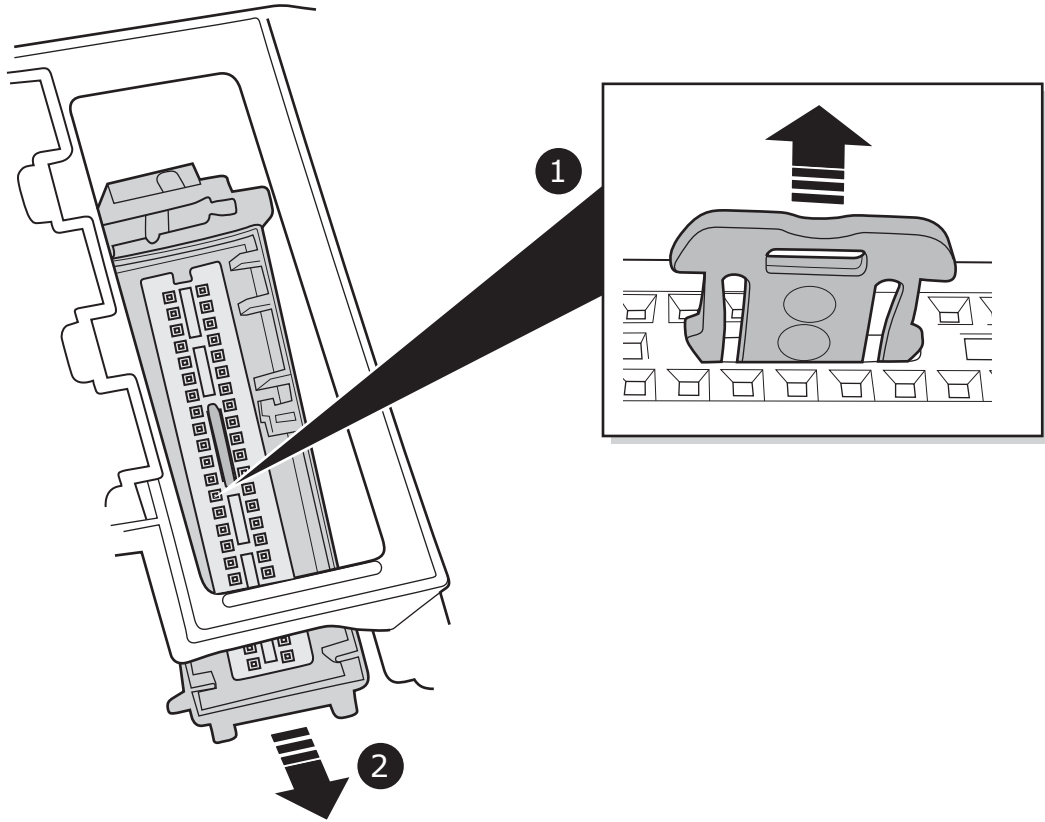
11

CAN HIGH
CAN LOW



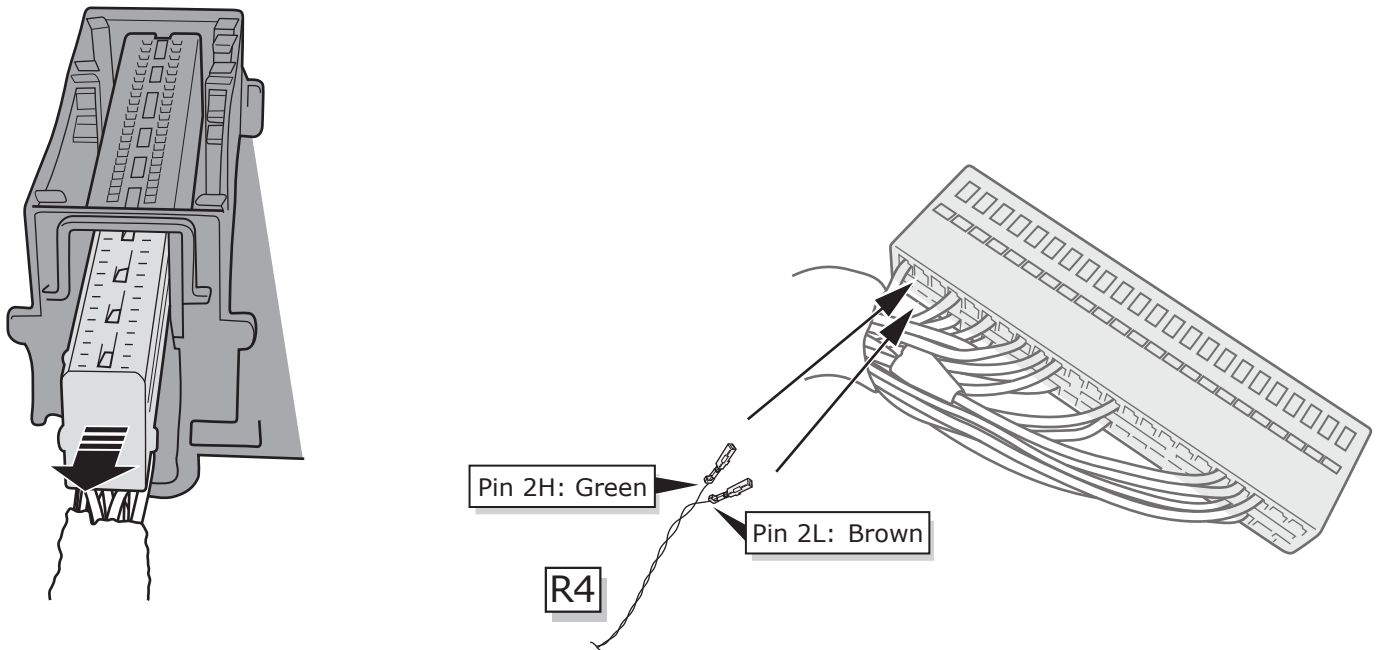
A6 Sedan / A7 Sportback / A6 Avant

12

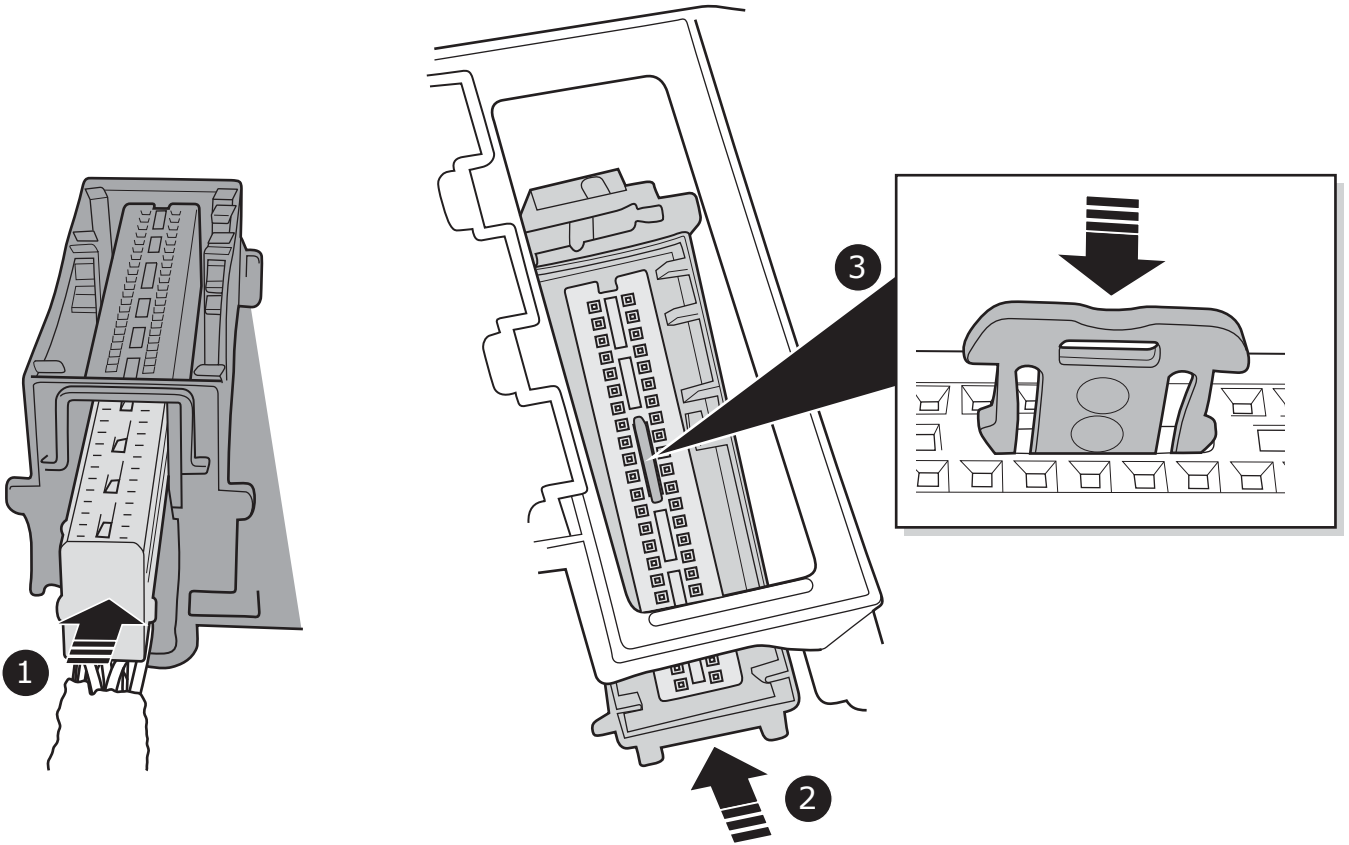


A6 Sedan / A7 Sportback / A6 Avant

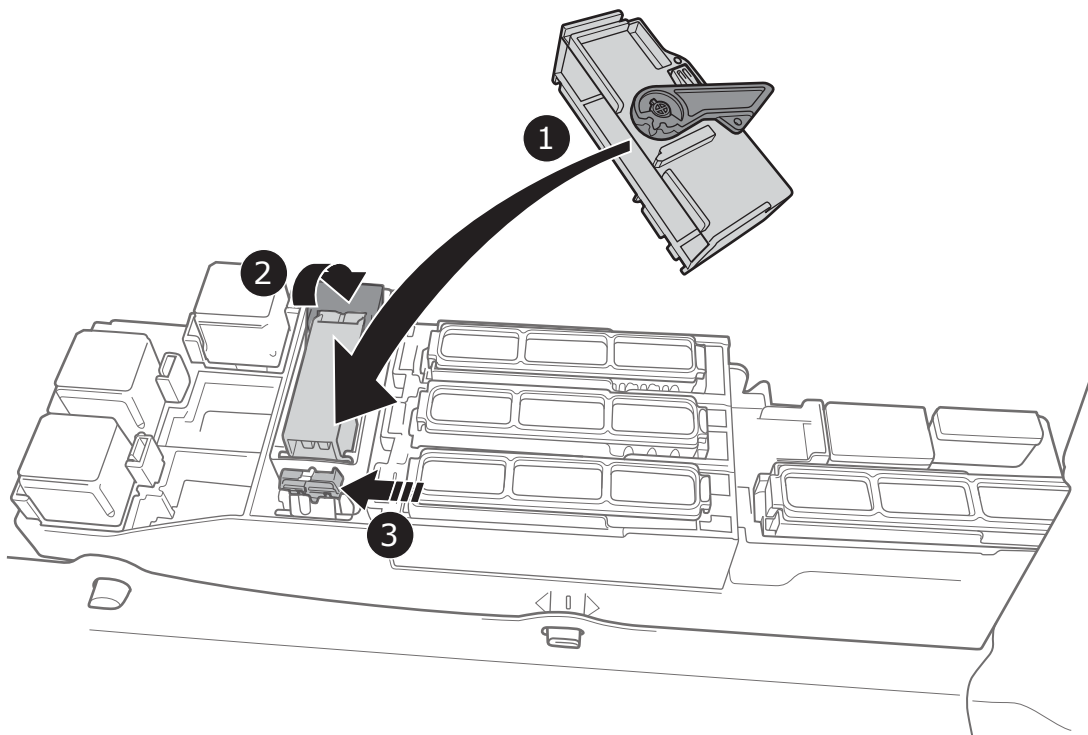
13



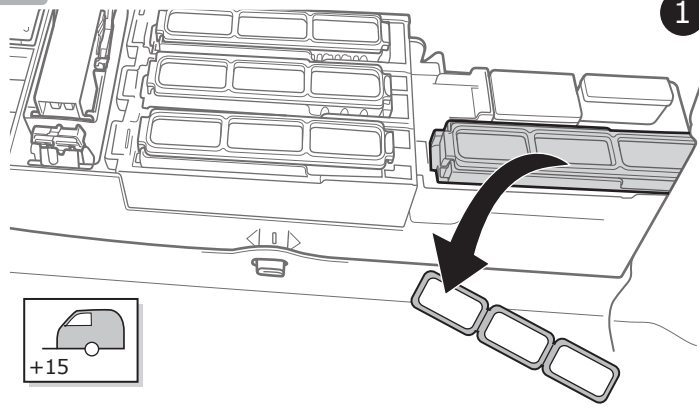
14



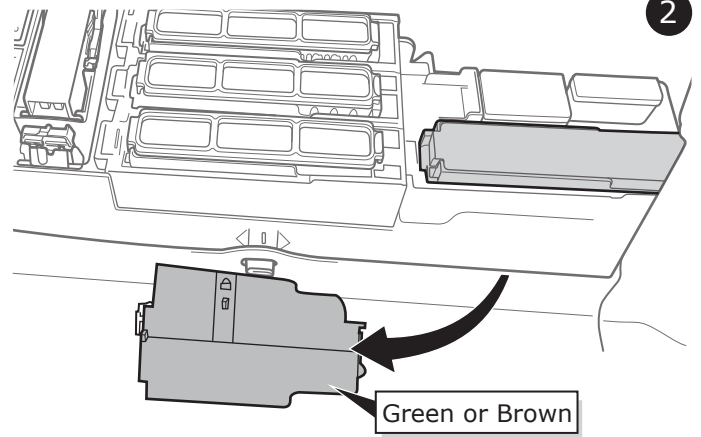
15



16

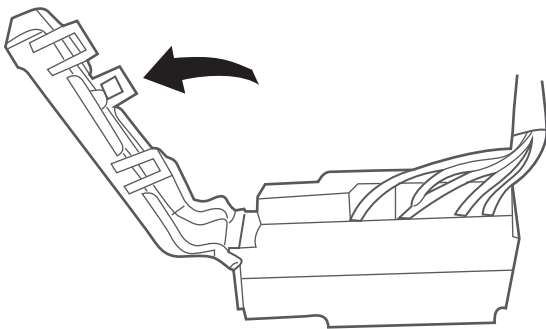


1

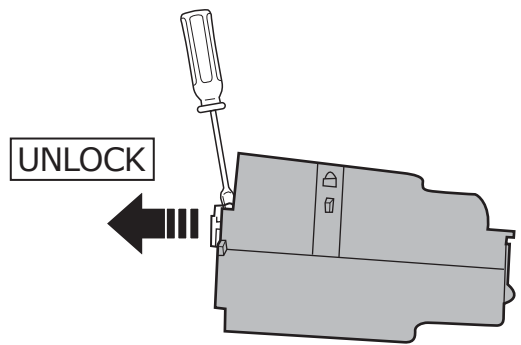


2

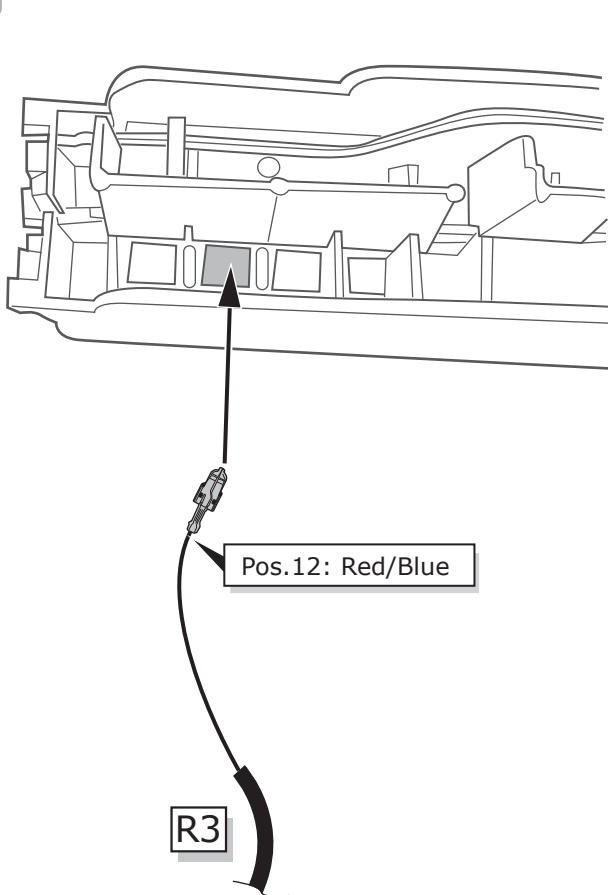
3



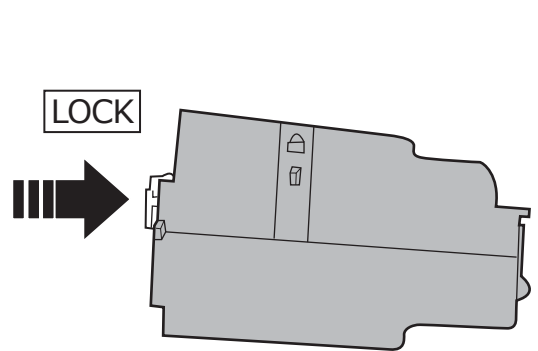
4



17

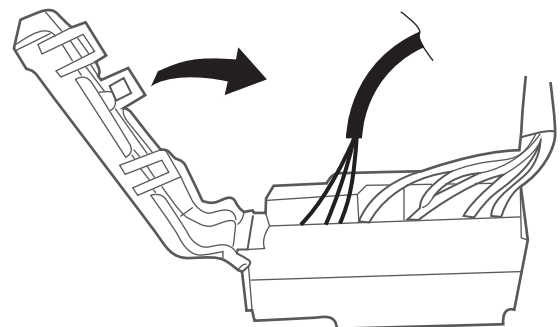


1



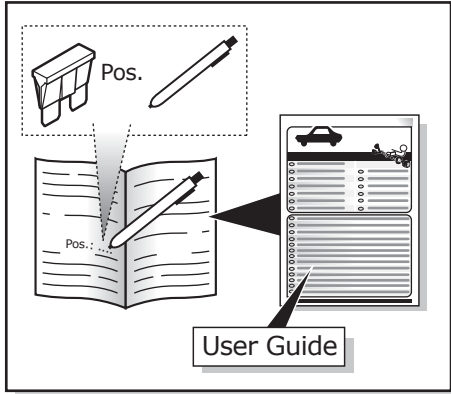
2

3

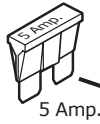
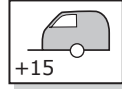


A6 Sedan / A7 Sportback / A6 Avant

18

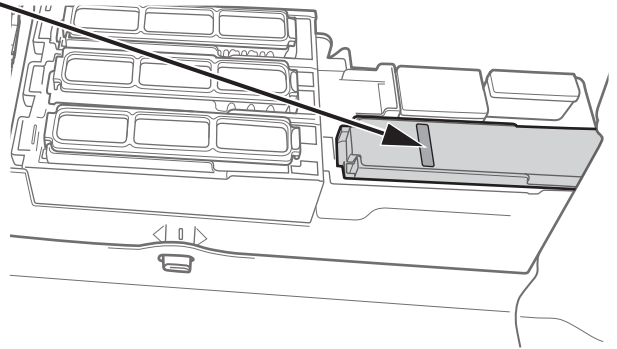


Pos. 12

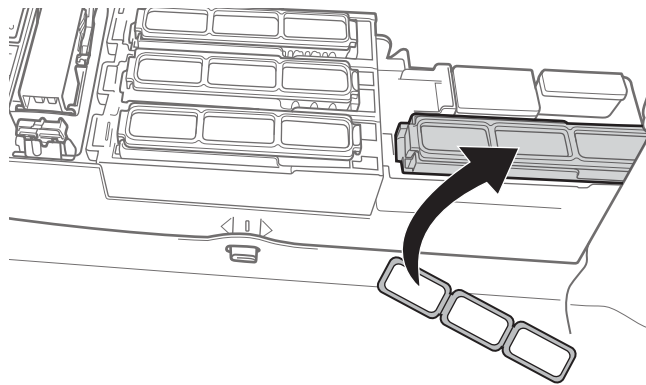


5 Amp.

1

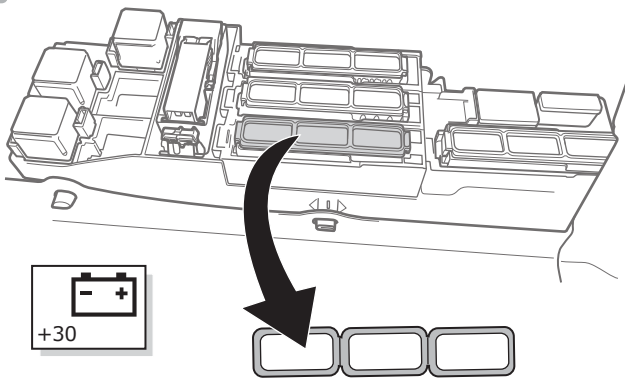


2

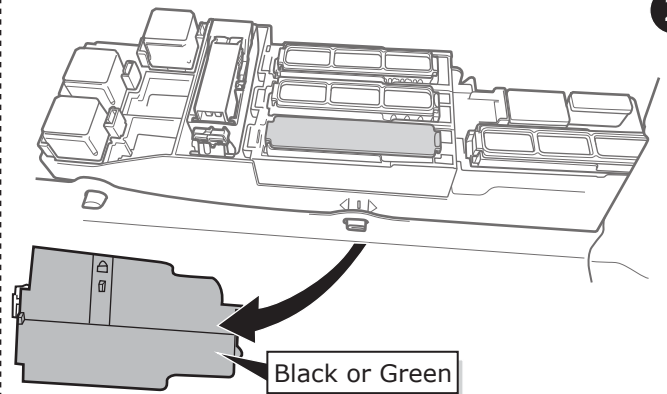


A6 Sedan / A7 Sportback / A6 Avant

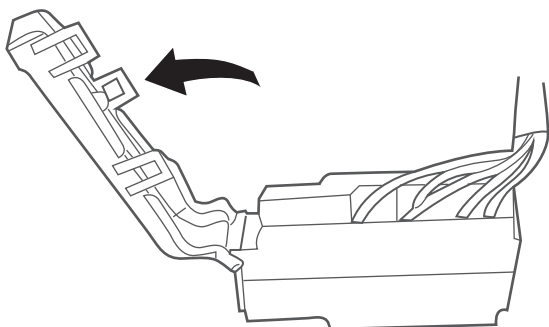
19



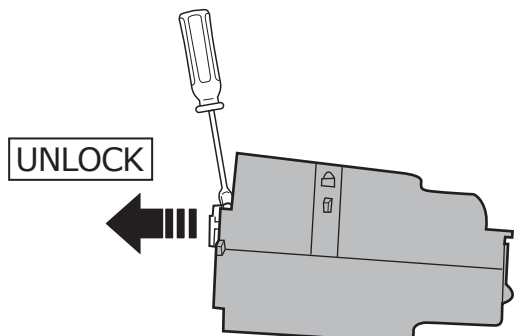
1



2



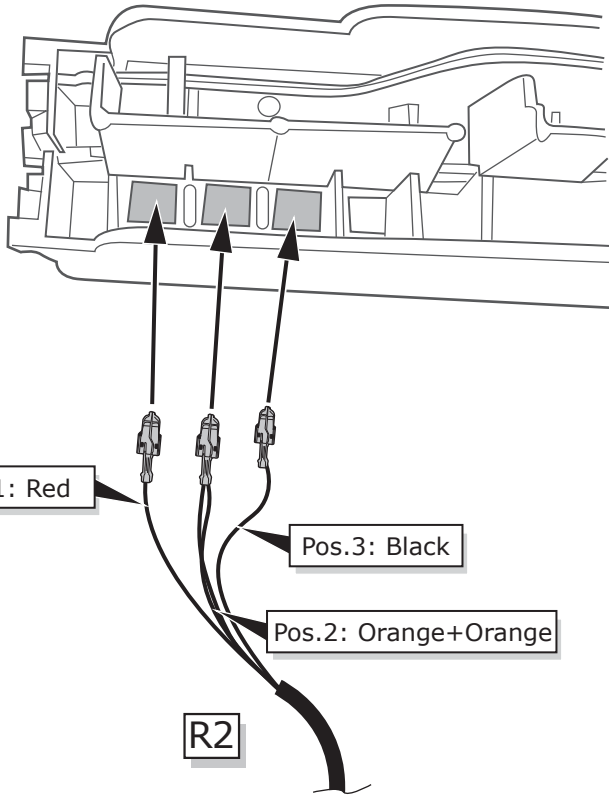
3



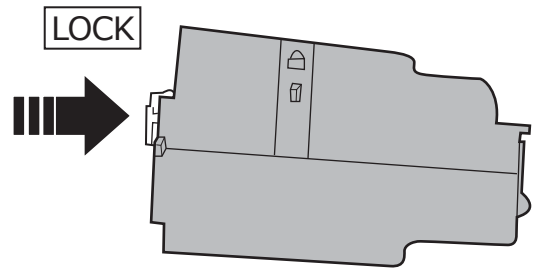
4

A6 Sedan / A7 Sportback / A6 Avant

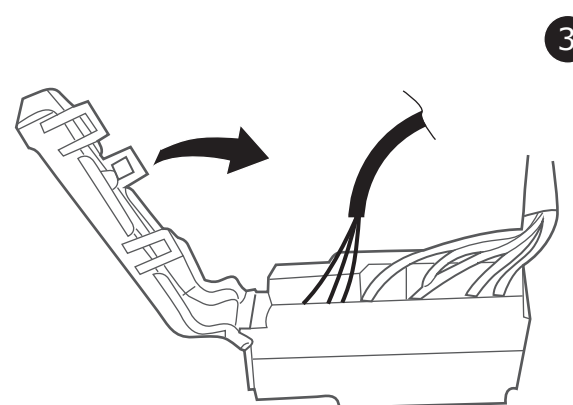
20



1



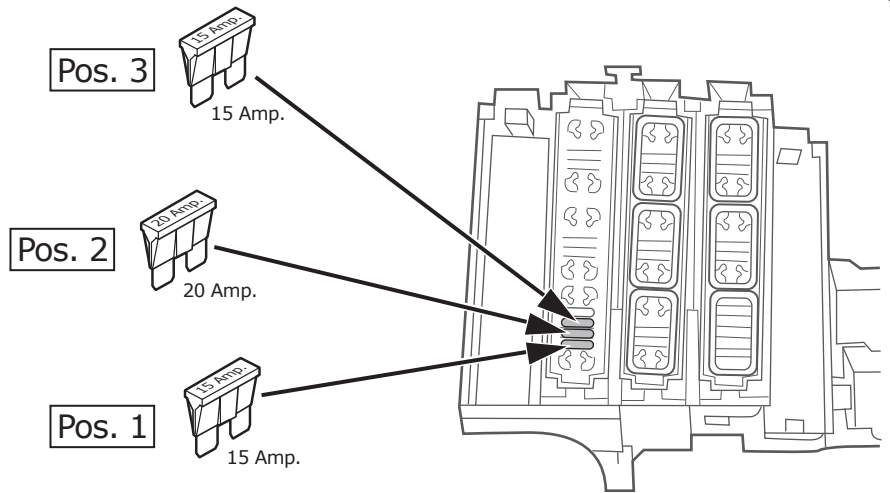
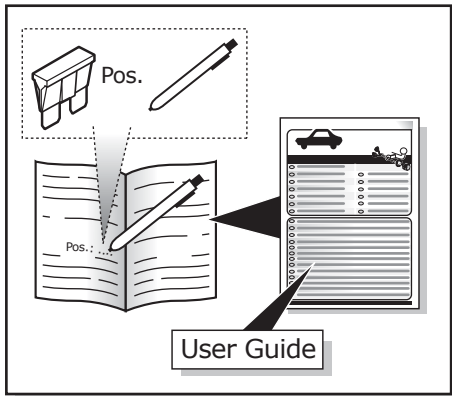
2



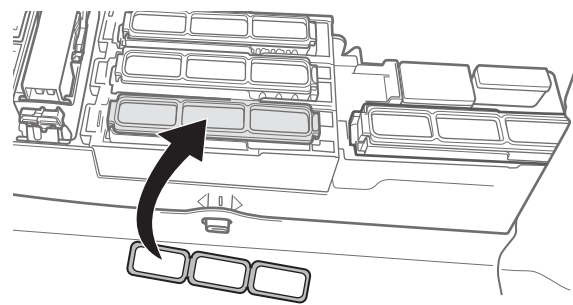
3

A6 Sedan / A7 Sportback / A6 Avant

21



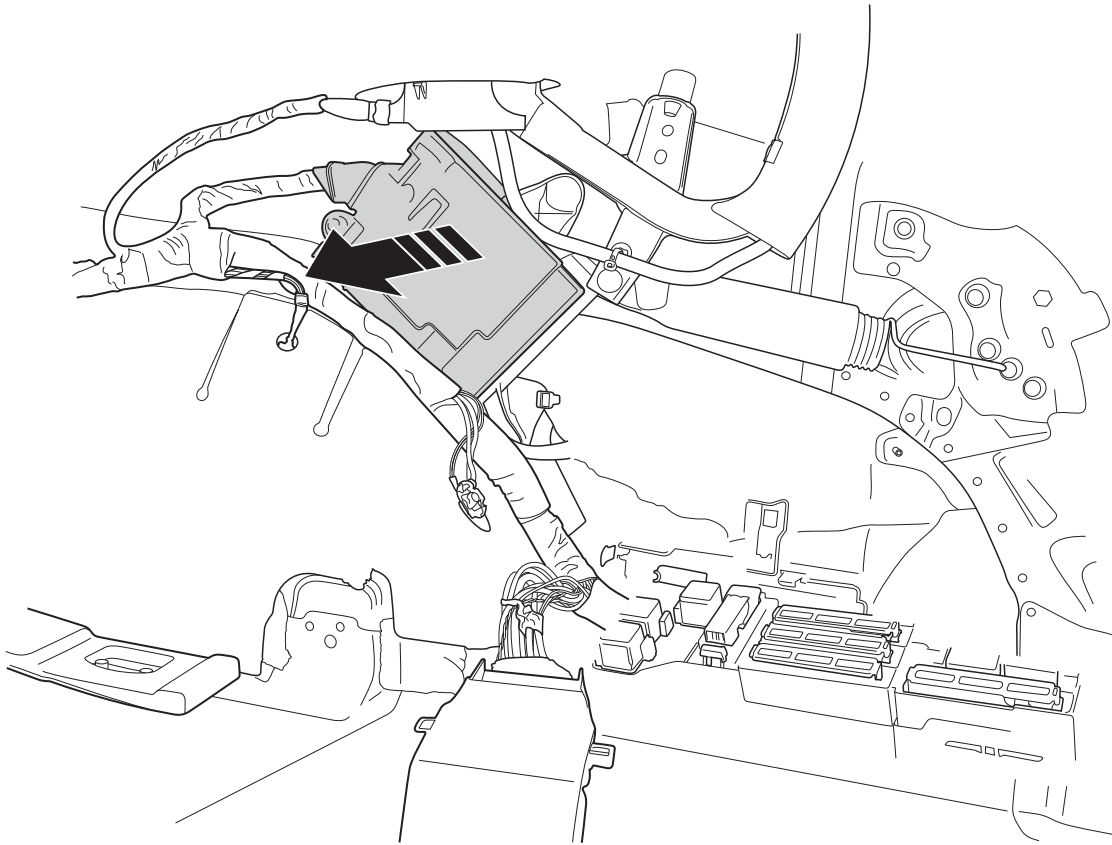
1



2

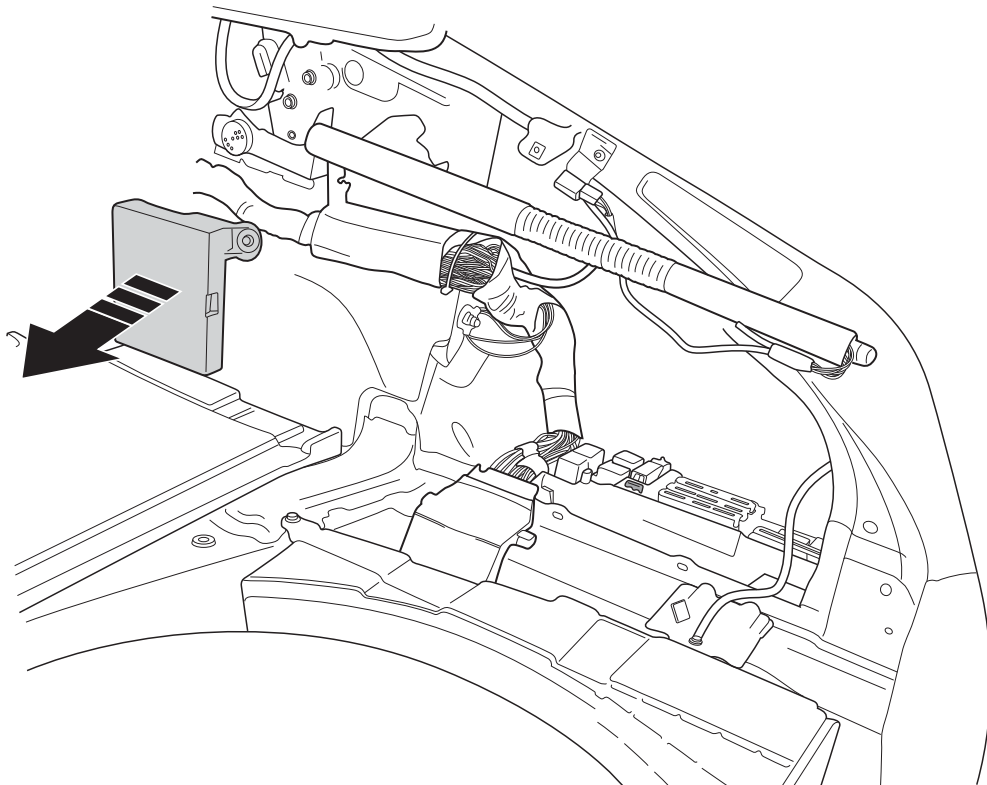
A6 Sedan / A6 Avant

22

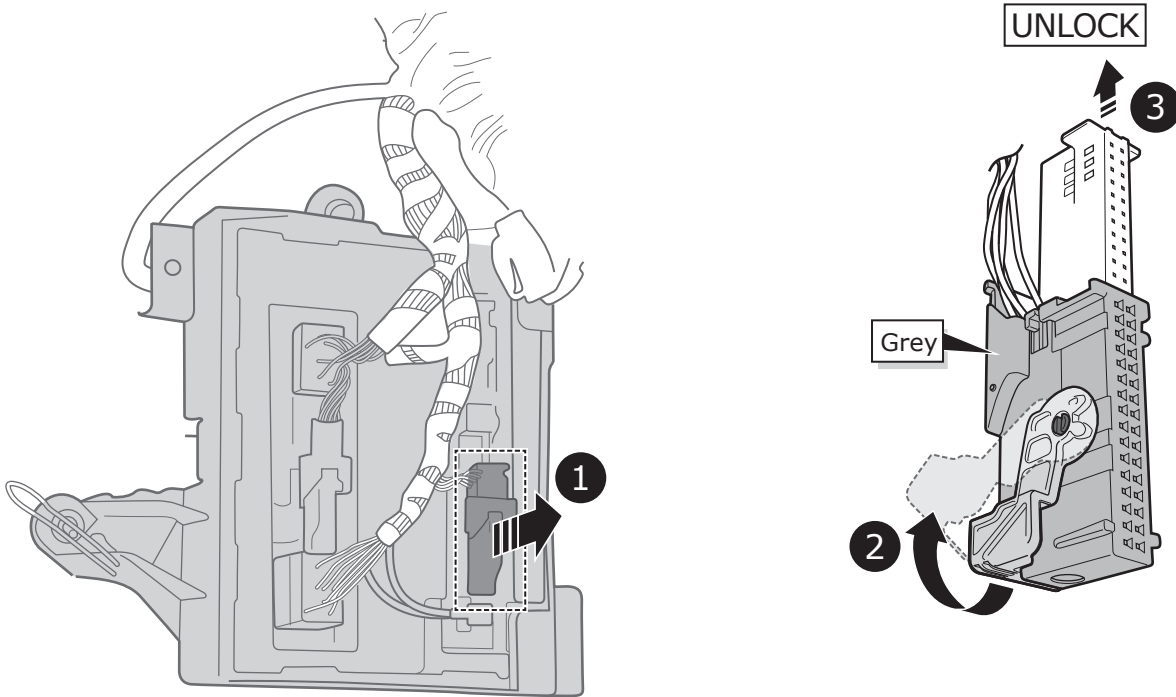


A7 Sportback

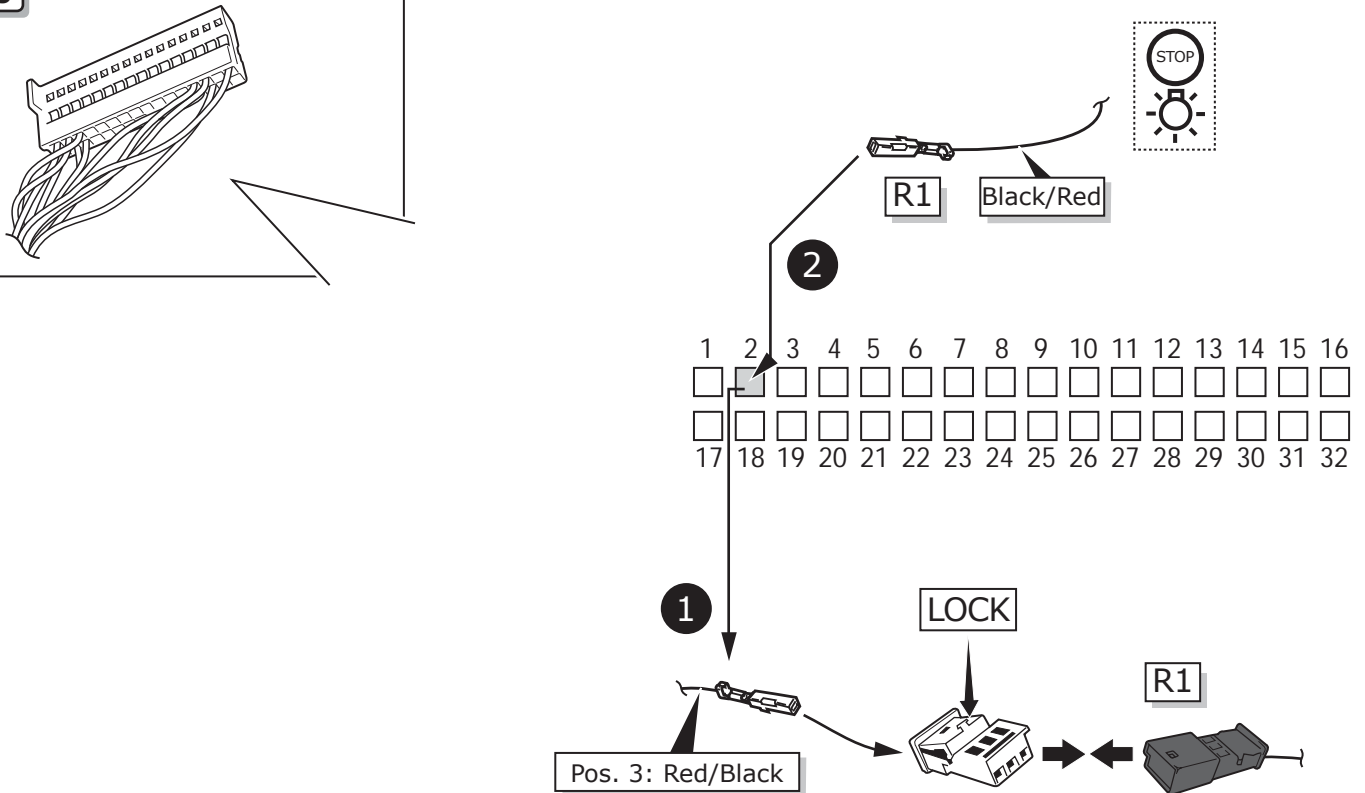
23



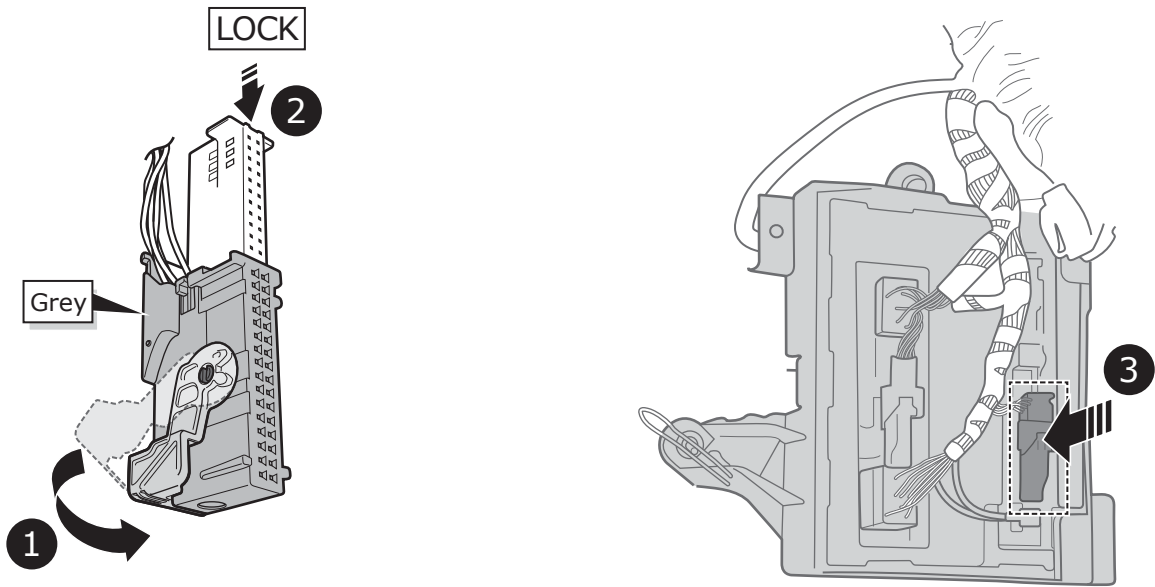
24



25

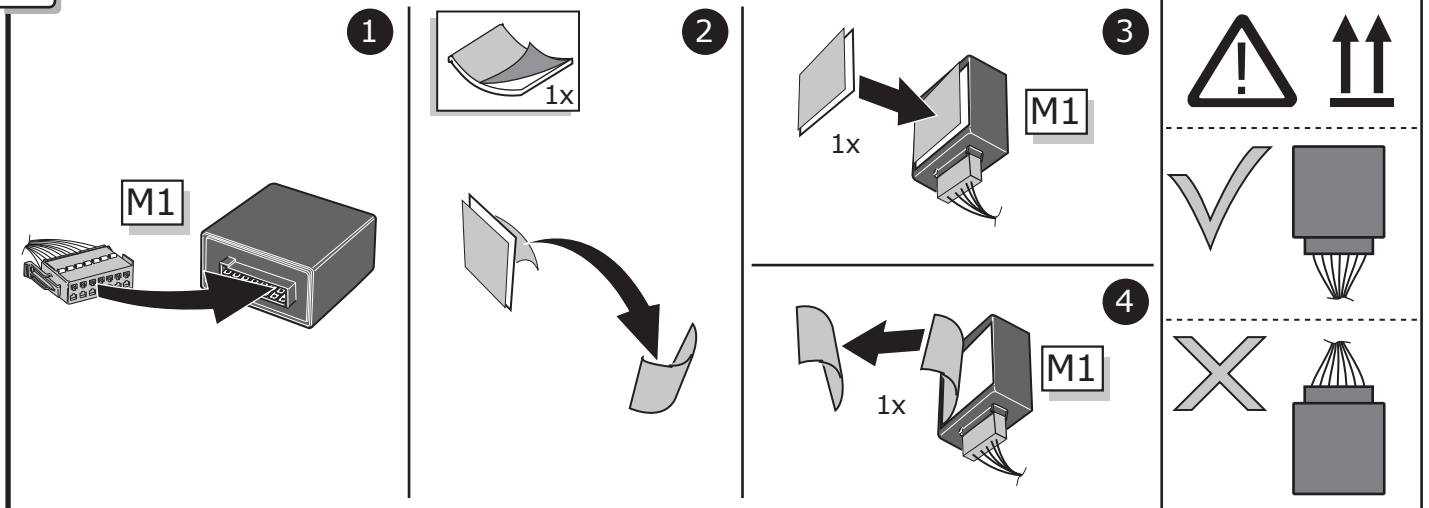


26

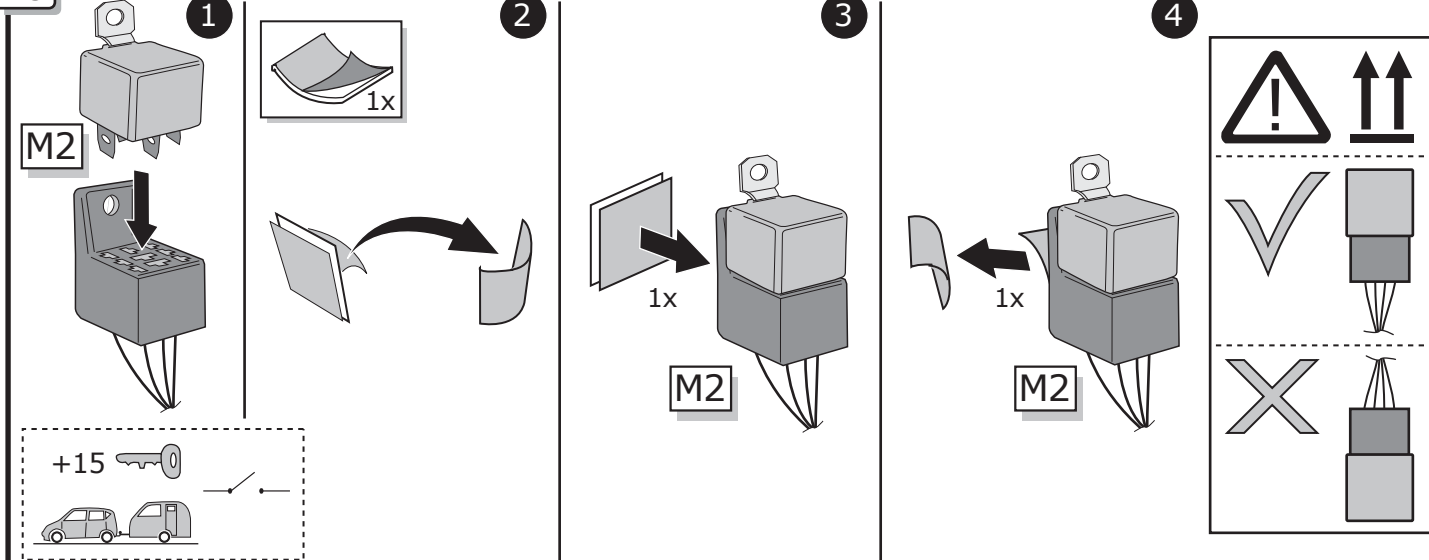


All Models

27

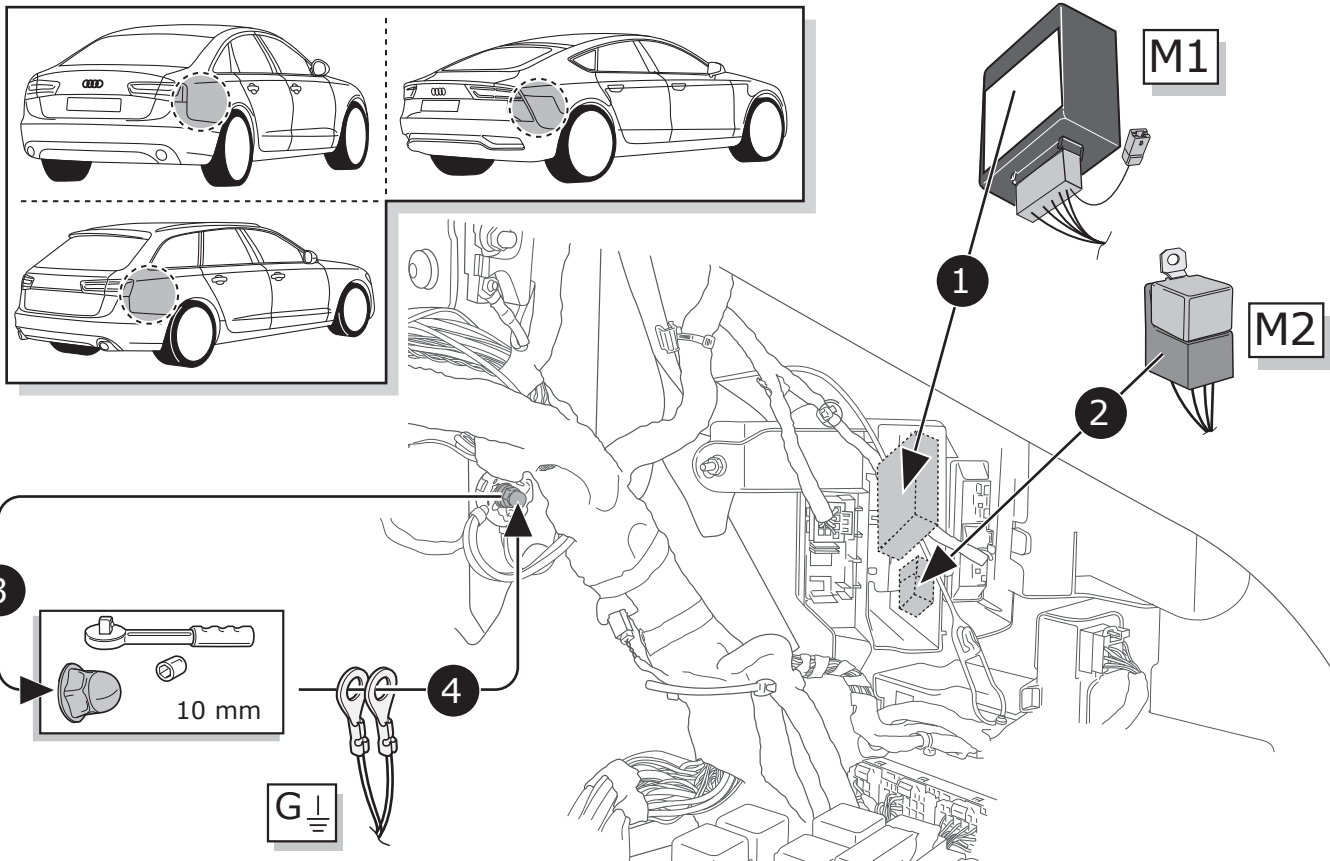


28



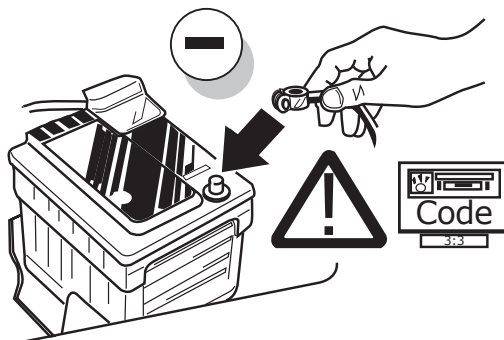
All Models

29



All Models

30



INFO

With a VAG Service tester with the help of SVM code '050200' the software of the vehicle must be adjusted to trailer coupling converted D12.

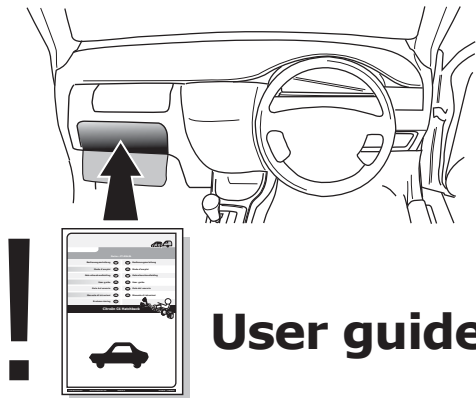
31

TEST ALL THE CIRCUITS WITH A TEST DEVICE WITH THE CORRECT POWER LOAD FOR EACH FUNCTION. A TEST DEVICE WITH LED'S CANNOT BE USED FOR THIS PURPOSE.

INFO

REINSTALL TRIM.

32



INFO

SOCKET CONNECTION

DIN/ISO 11446													
	1/L	2	3/31	4/R	5/58-R	6/54	7/58-L	8	9	10	11	12	13
Pmax	21W	21W		21W	42W	3x21W	42W	21W	180W/15Amp	180W/15Amp			
Colour	Black/White	Blue	Brown	Black/Green	Grey/Red	Black/Red	Grey/Black	Black	Red	Yellow	Brown	-	Brown