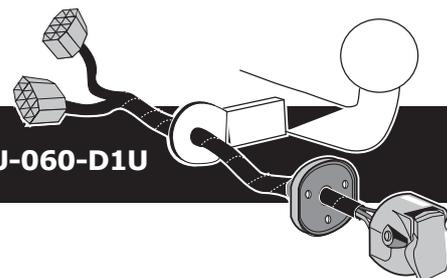


Audi A6 Sedan 01/2015- (4G)
Audi A7 Sportback 01/2015- (4G)
Audi A6 Avant 01/2015- (4G5)

Only for models without towbar preparation

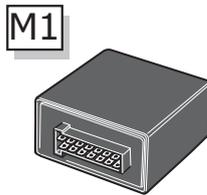
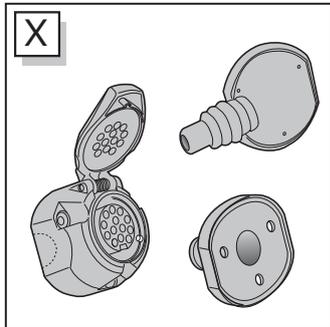
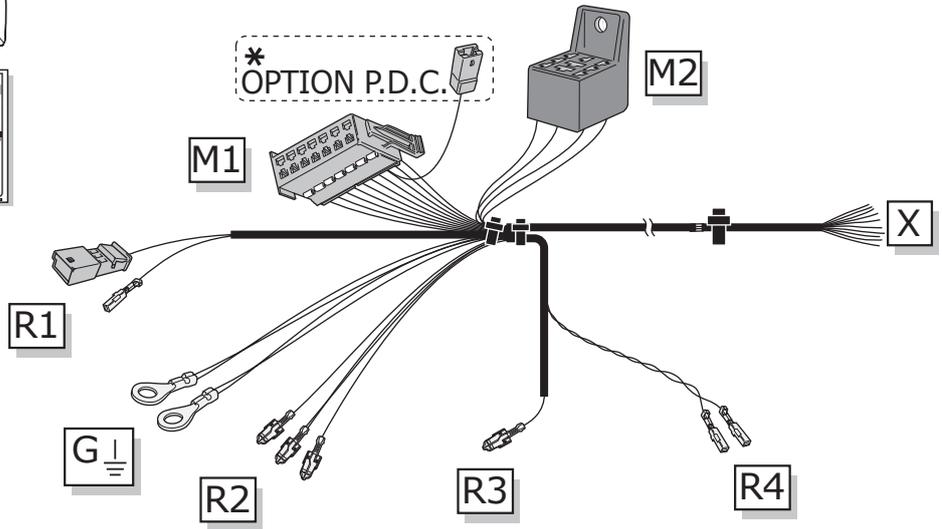
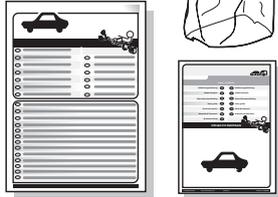
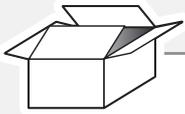
Partnr.: AU-060-D1U



- Fitting instructions electric wiring kit tow bar with 13-P socket up to DIN/ISO Norm 11446.
- We would expressly point out that assembly not carried out properly by a competent installer will result in cancellation of any right to damage compensation, in particular those arising by virtue of the product liability act.
- Contents of these kits and their fitting manuals are subject to alteration without notice, please ensure that these instructions are read and fully understood before commencing installation.
- Do not overload circuits; the maximum loads per connection are detailed in this manual.
- Attention! Before Installation, please read this manual carefully and inform your customer to consult the vehicle owners manual to check for any vehicle modifications required before towing.
- In the event of functional problems, troubleshooting must be limited to about 0.5 hours, contact the technical support:
ukts@ecs-electronics.com / 07440 202 052.



Part list



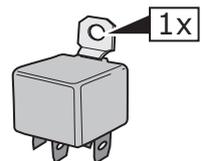
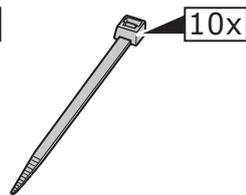
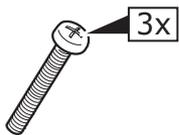
Option P.D.C. *

PARK DISTANCE CONTROL

↓

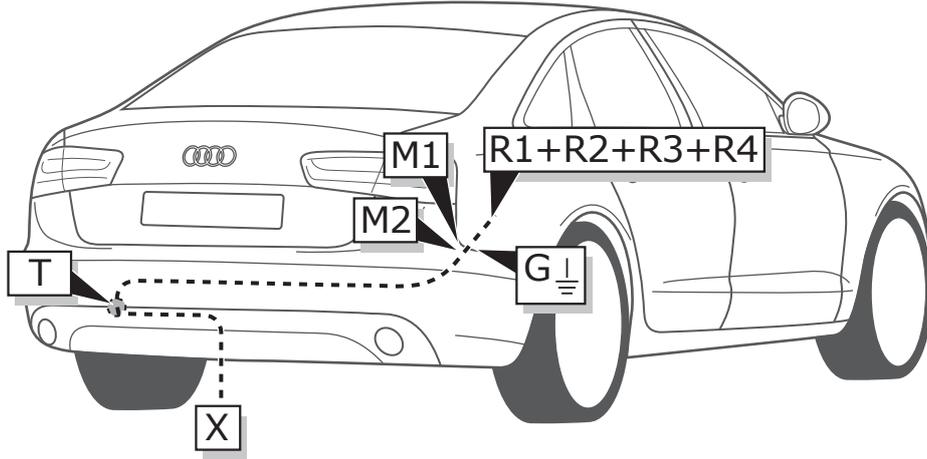
PARK DISTANCE CONTROL

For not OEM P.D.C. System use the: VW-083-ZZ



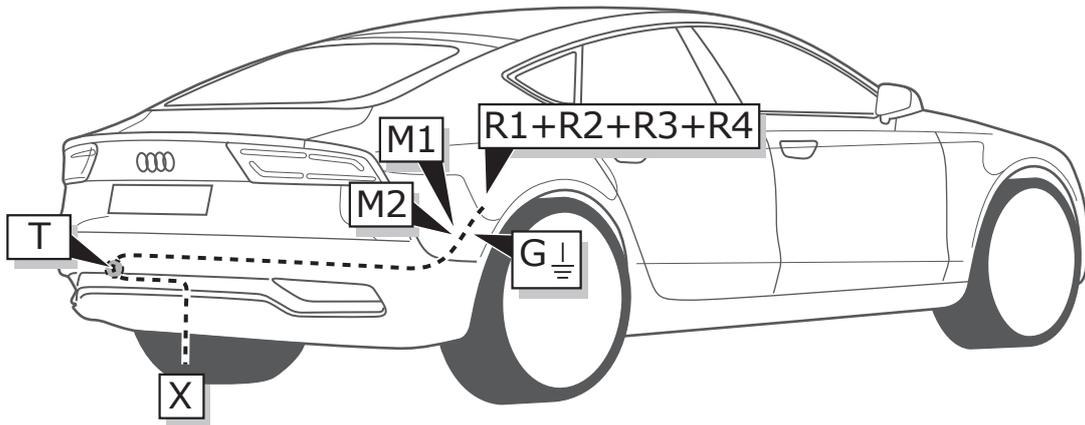
Audi A6 Sedan

ROUTING



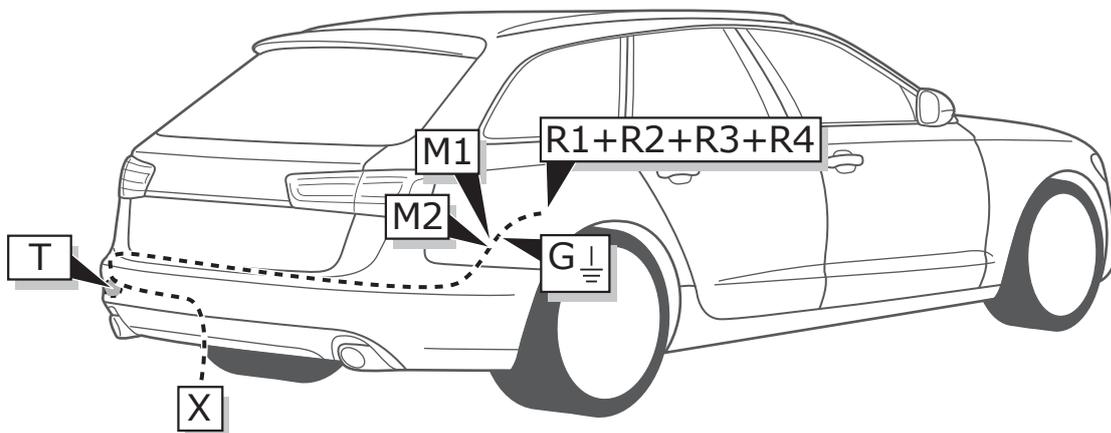
Audi A7 Sportback

ROUTING



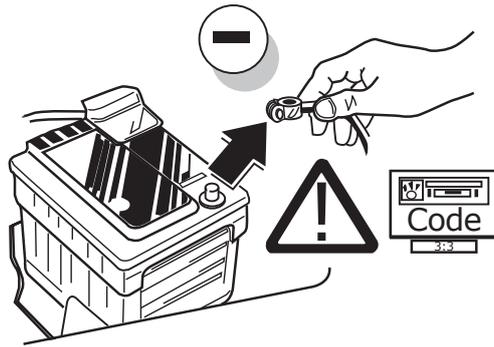
Audi A6 Avant

ROUTING



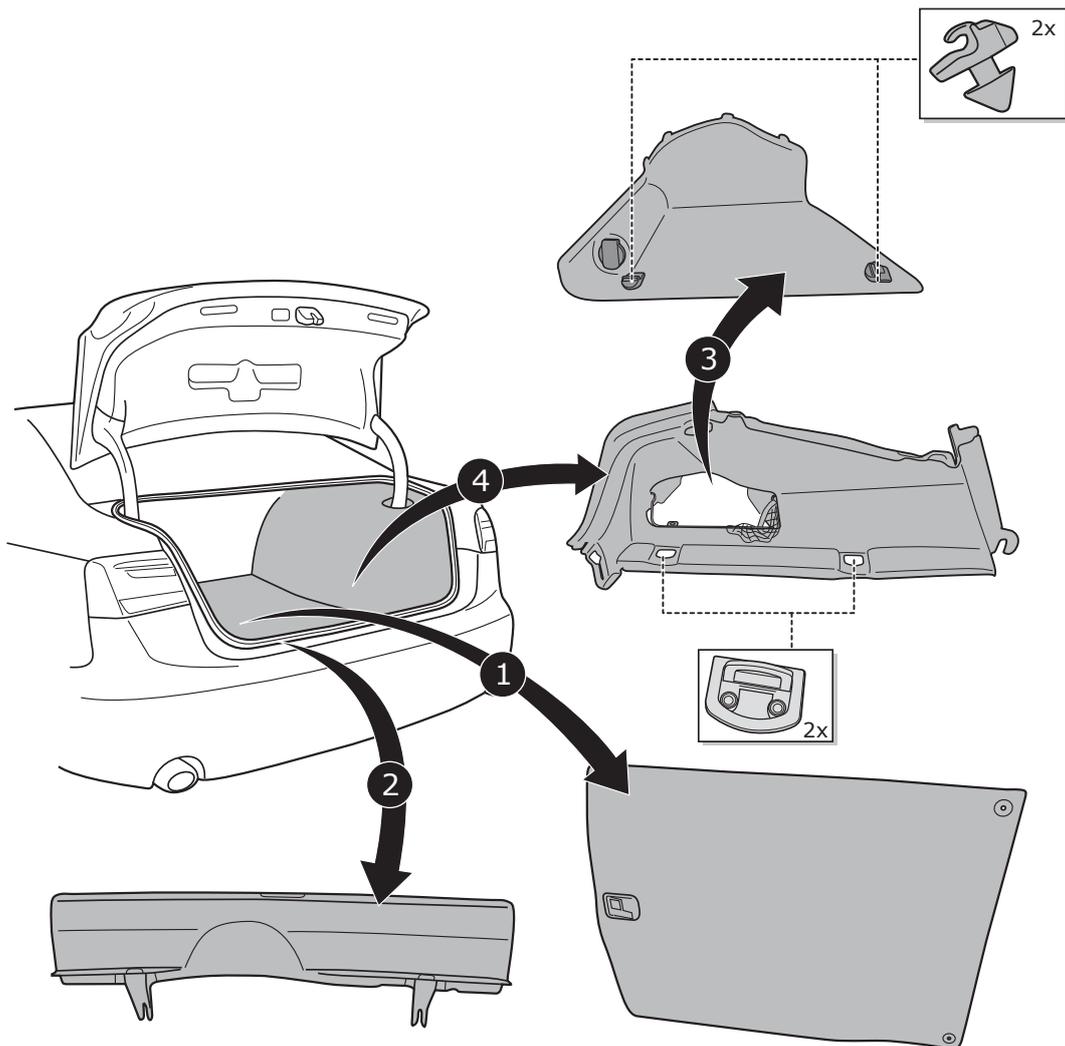
All Models

1



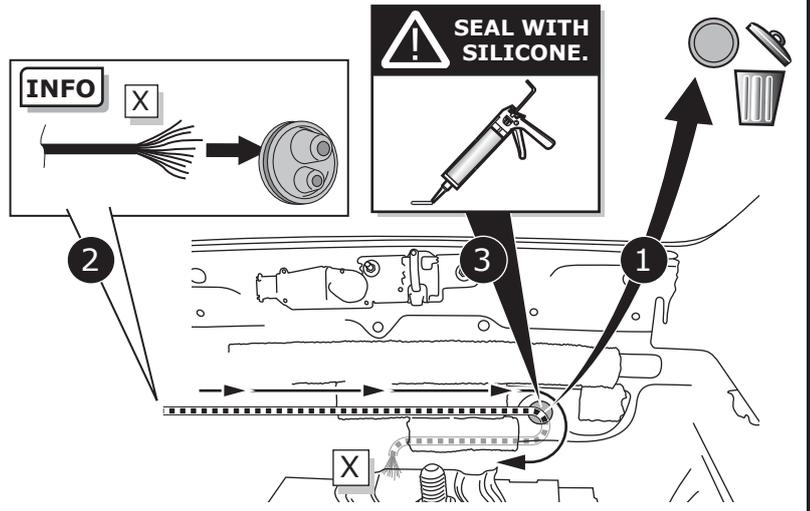
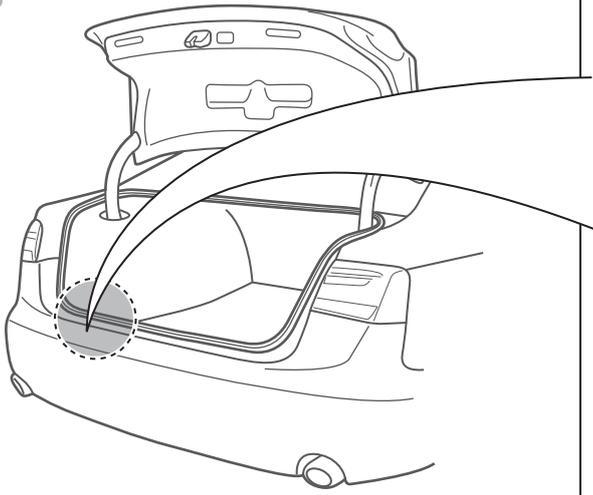
A6 Sedan

2



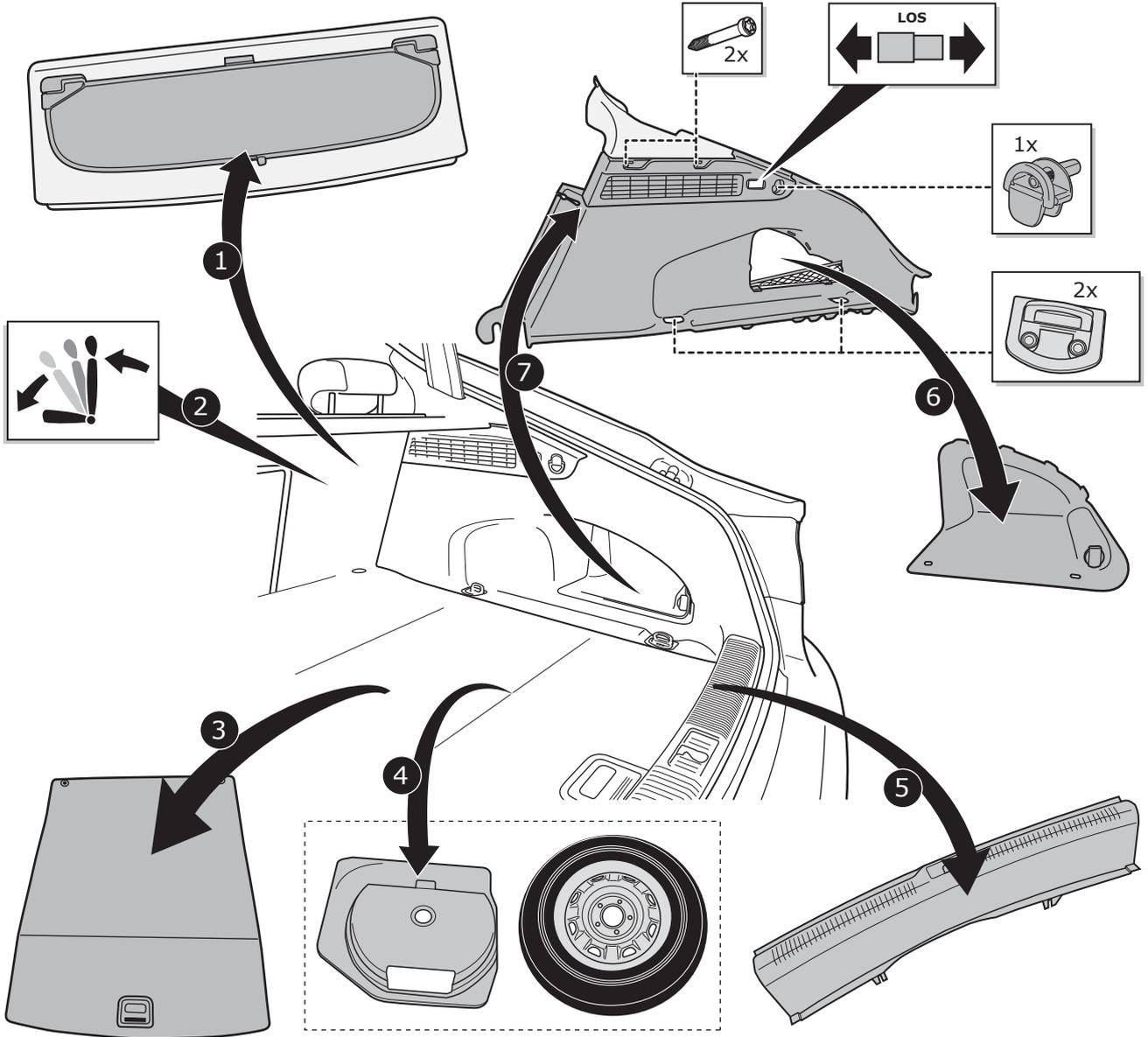
A6 Sedan

3



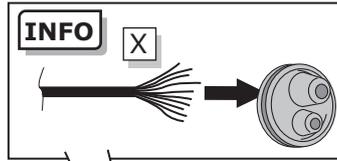
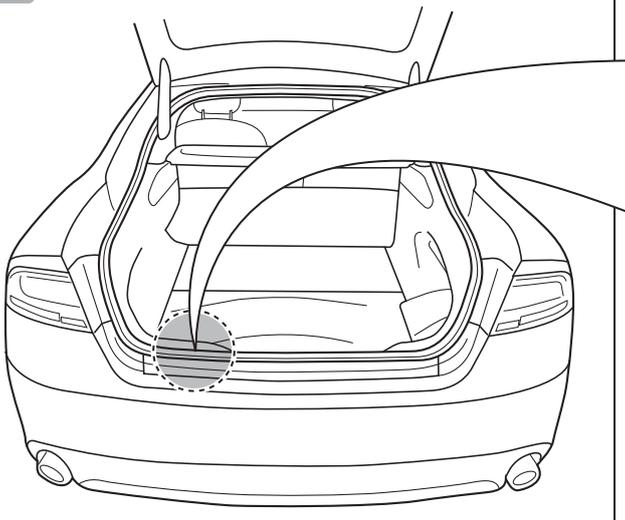
A7 Sportback

4



A7 Sportback

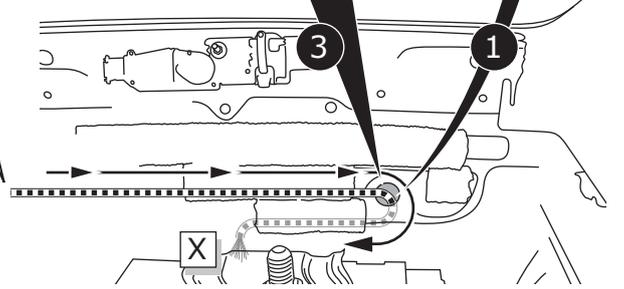
5



2

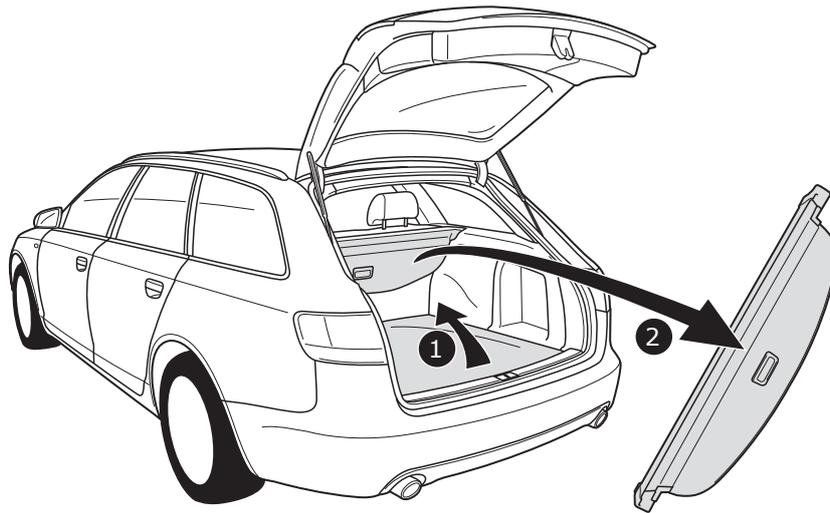
3

1

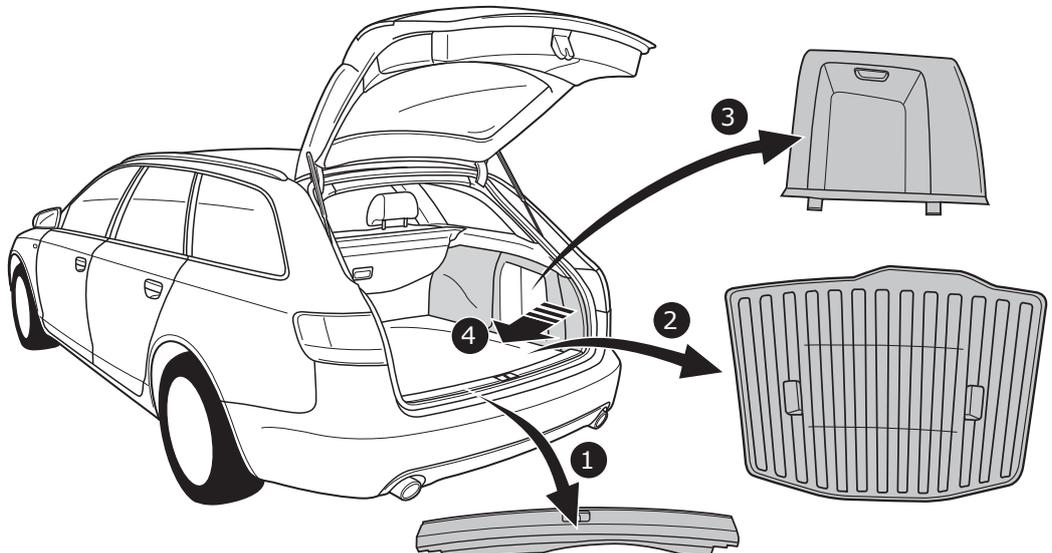


A6 Avant

6

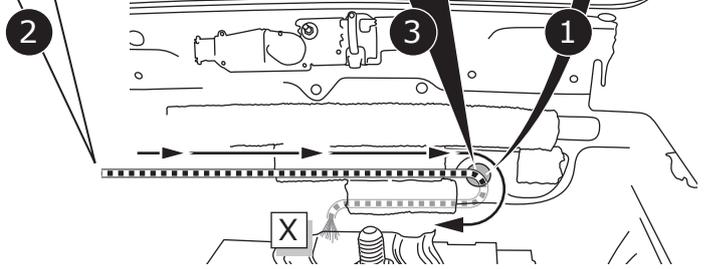
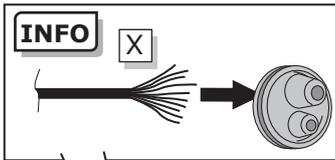
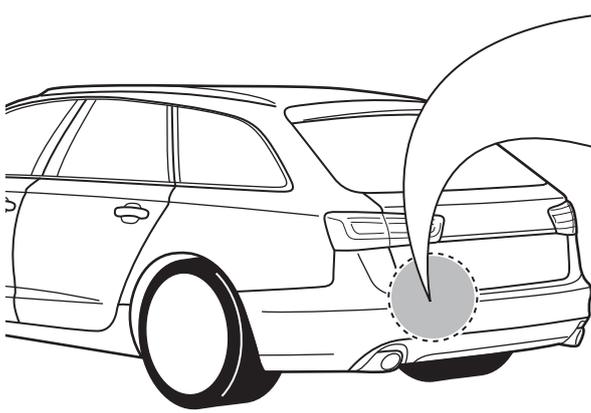


7



A6 Avant

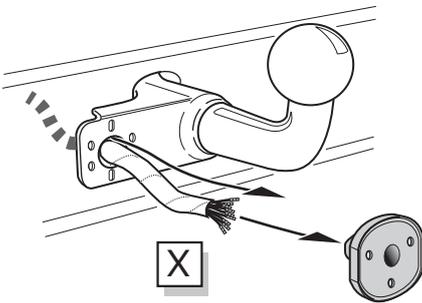
8



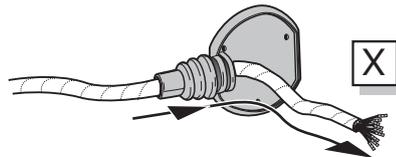
A6 Sedan / A7 Sportback / A6 Avant

A

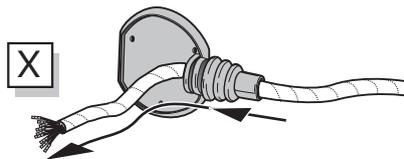
Option 1



Option 2



Option 3



INFO

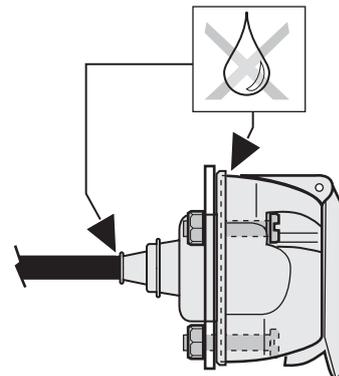
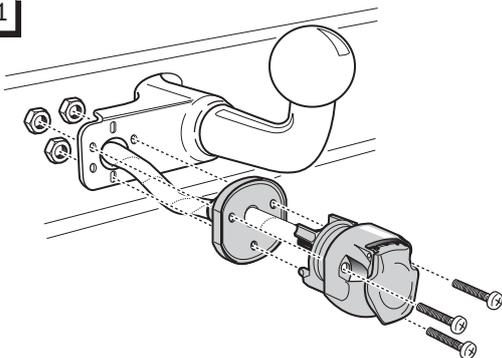
SOCKET CONNECTION



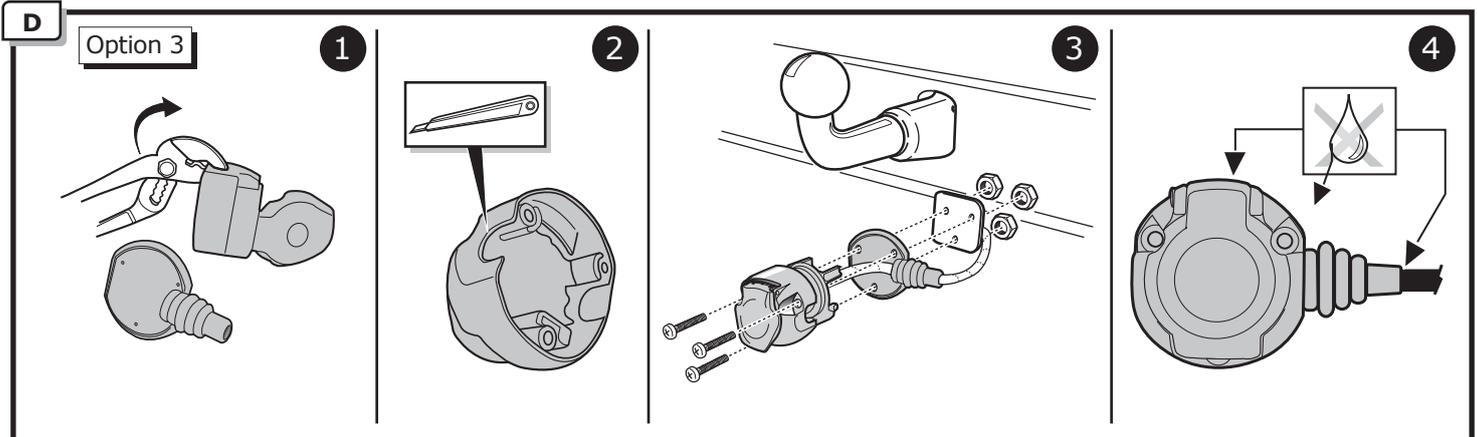
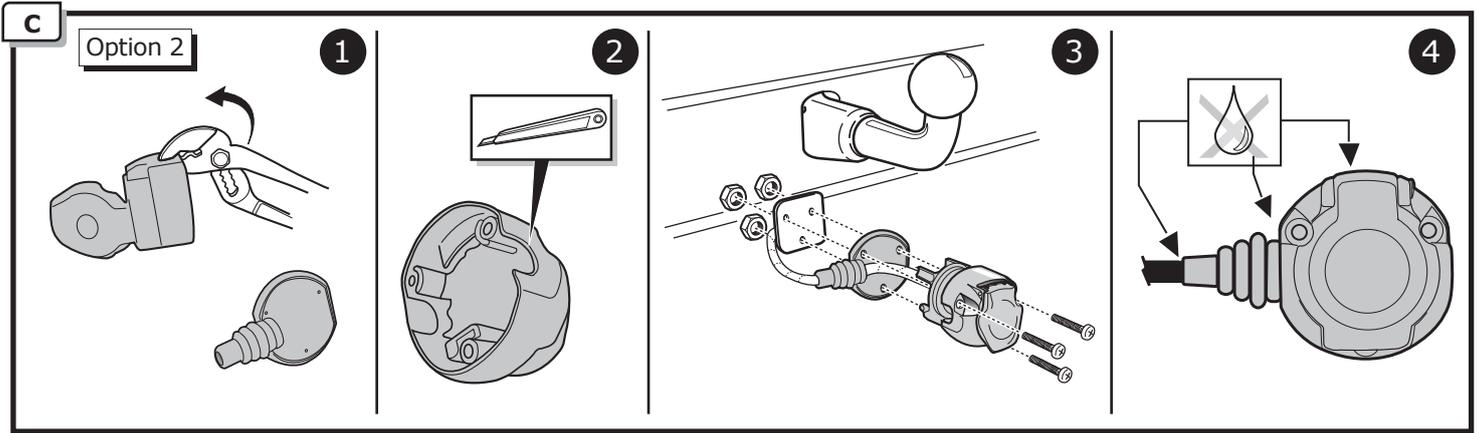
Pag. 19

B

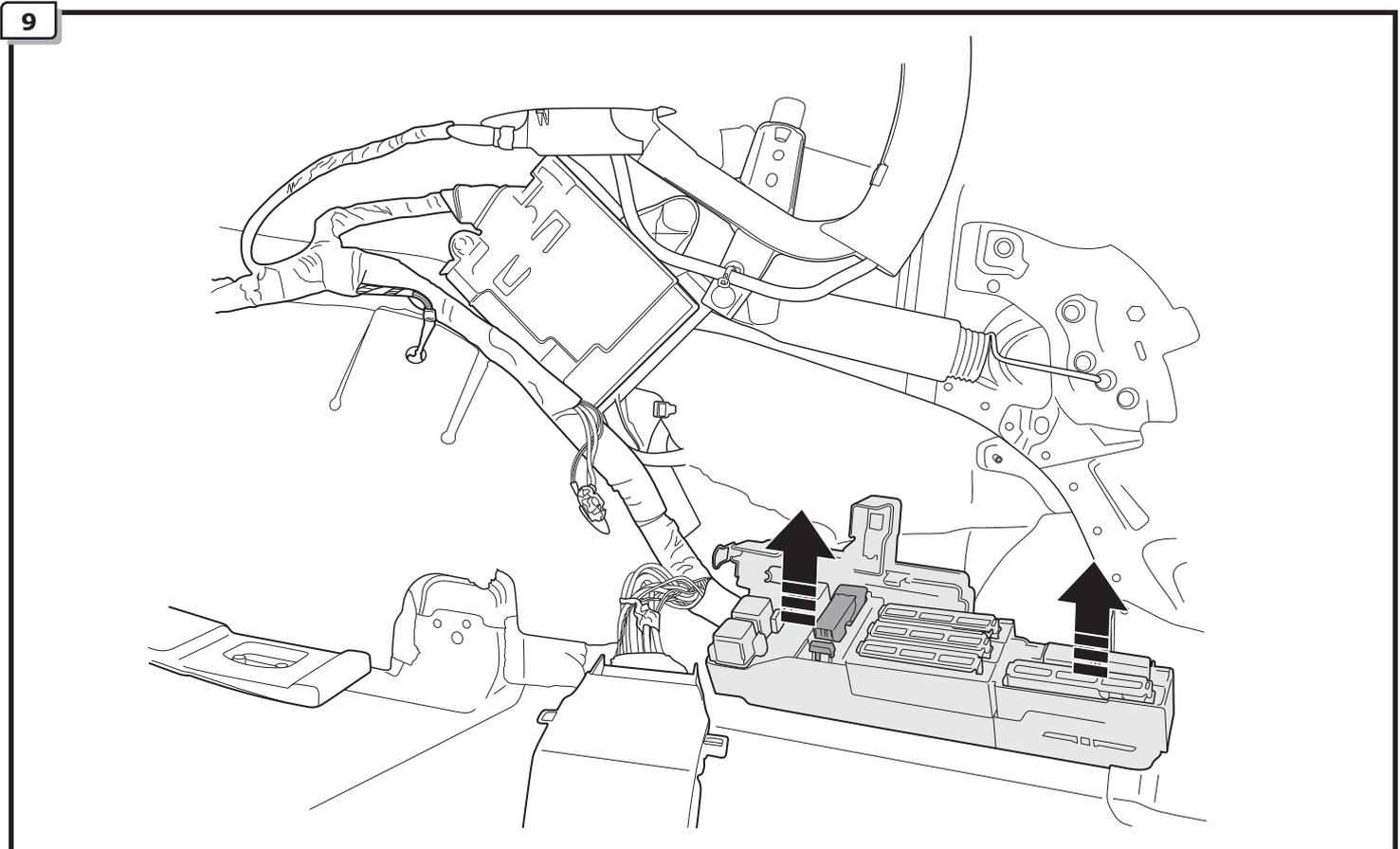
Option 1



A6 Sedan / A7 Sportback / A6 Avant

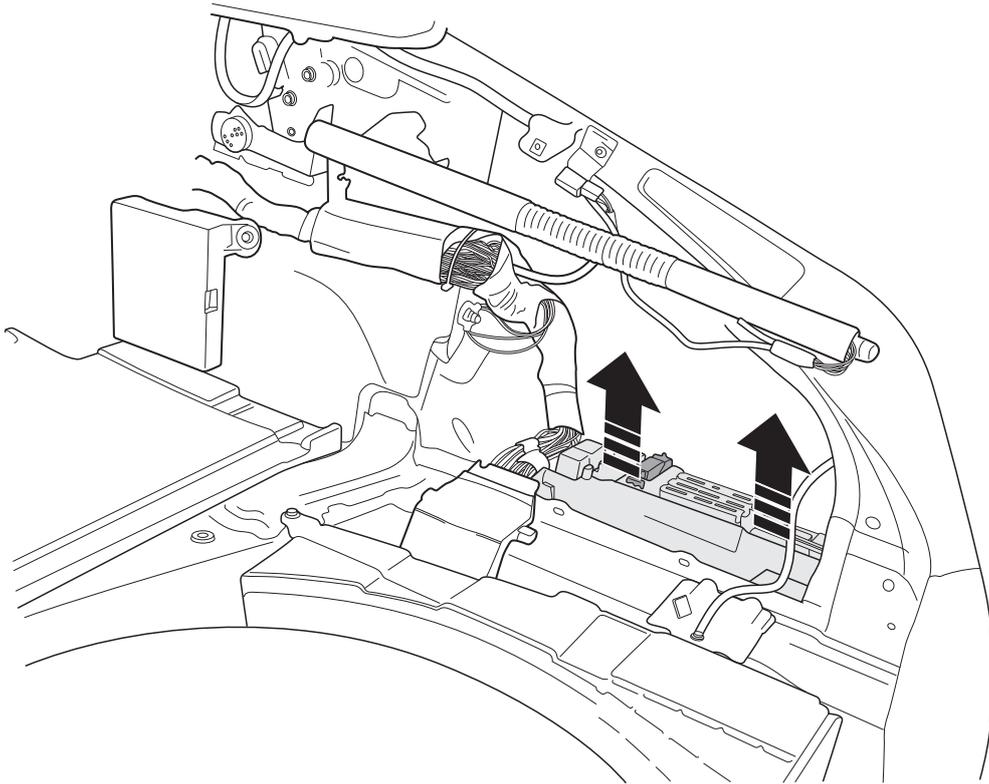


A6 Sedan / A6 Avant



A7 Sportback

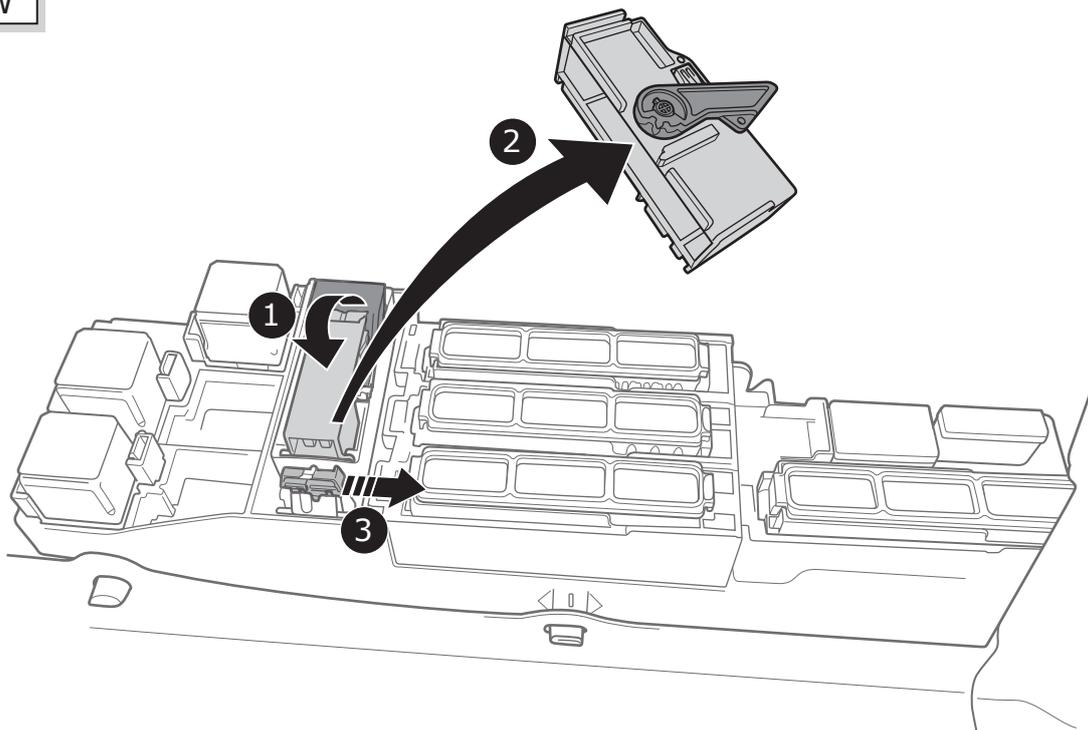
10



A6 Sedan / A7 Sportback / A6 Avant

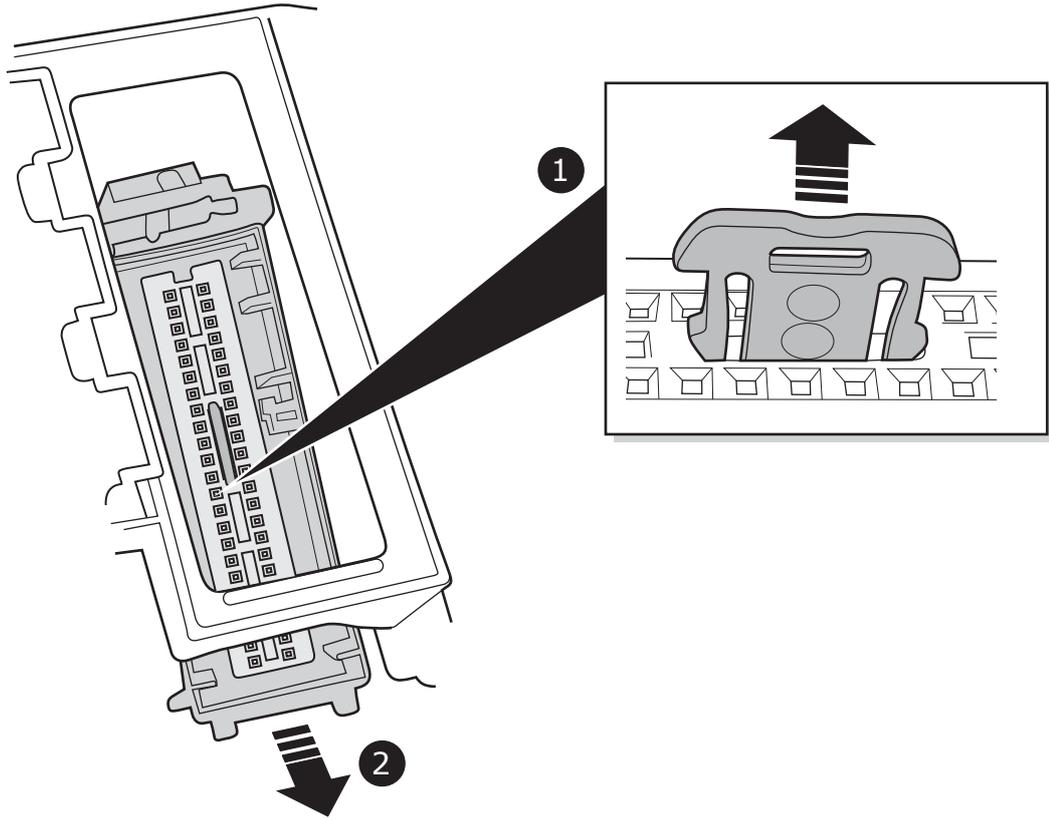
11

CAN HIGH
CAN LOW



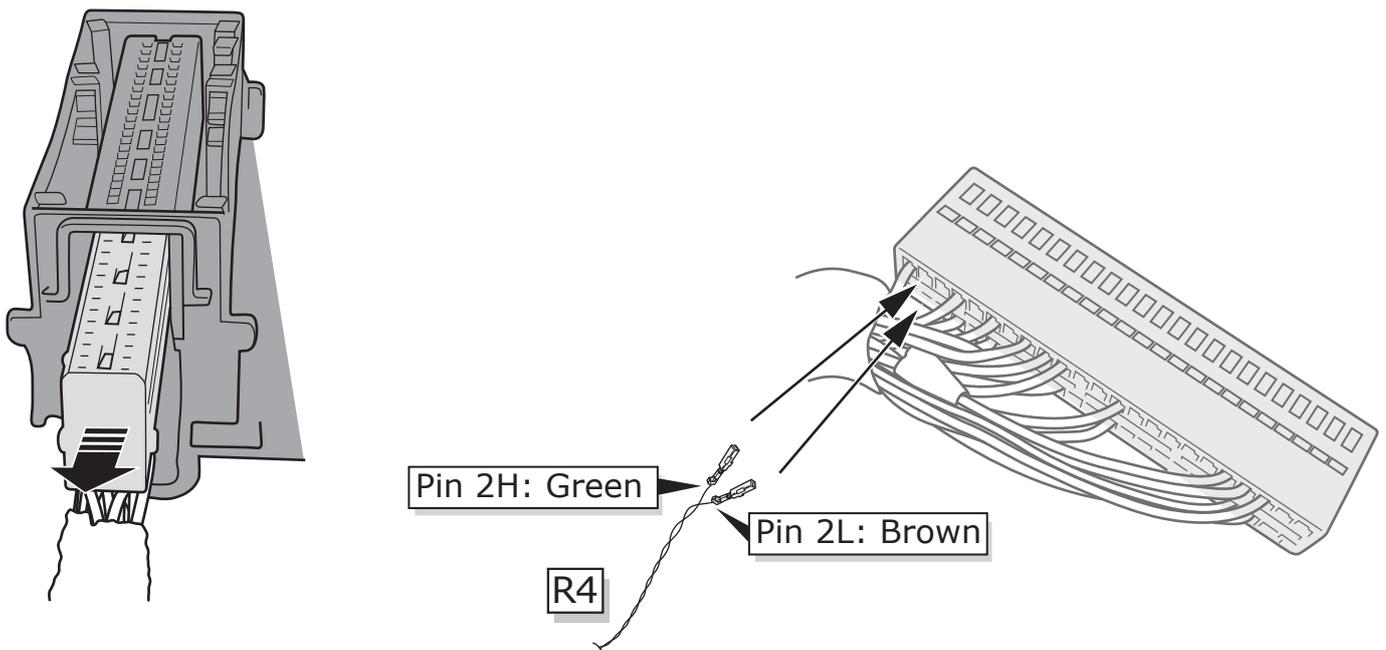
A6 Sedan / A7 Sportback / A6 Avant

12

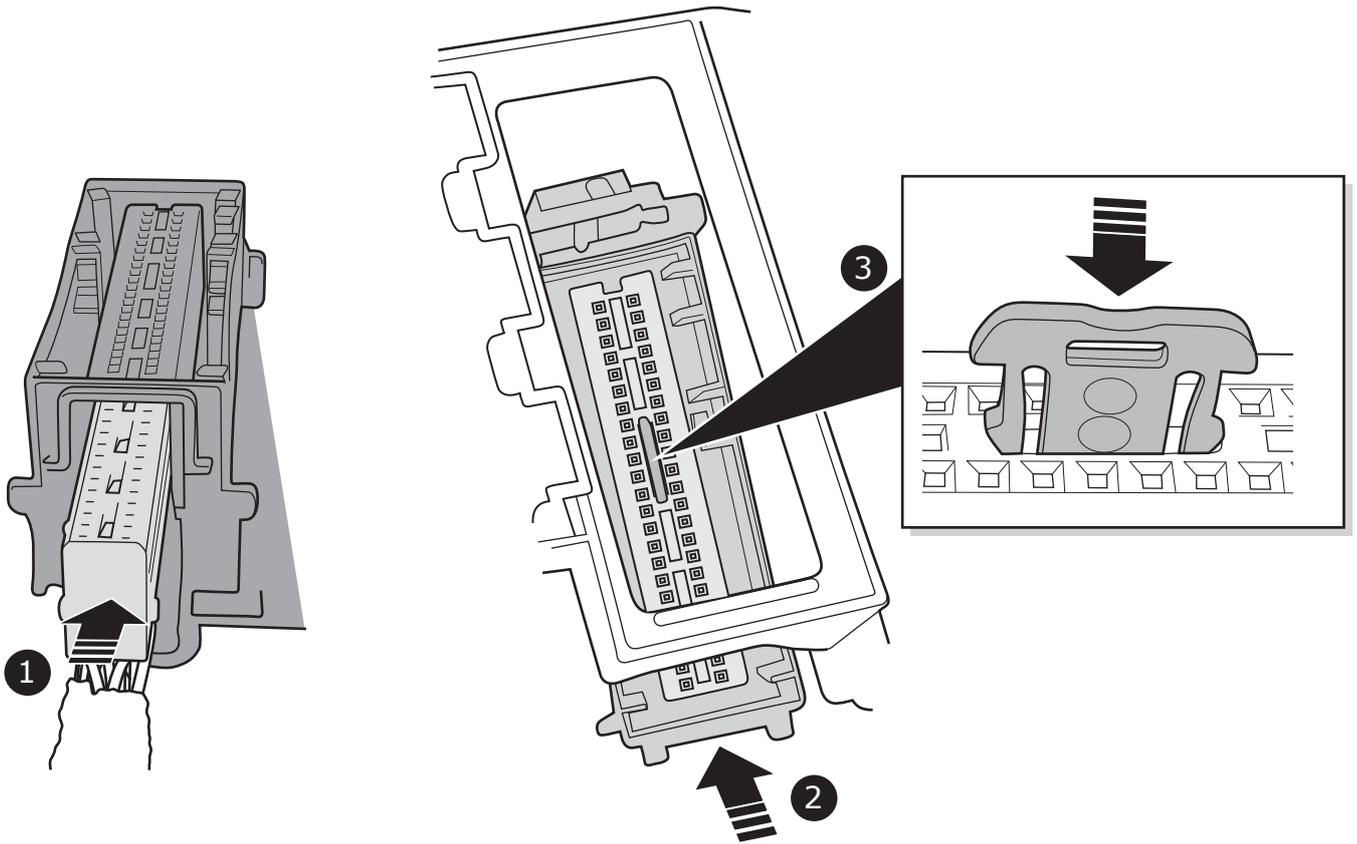


A6 Sedan / A7 Sportback / A6 Avant

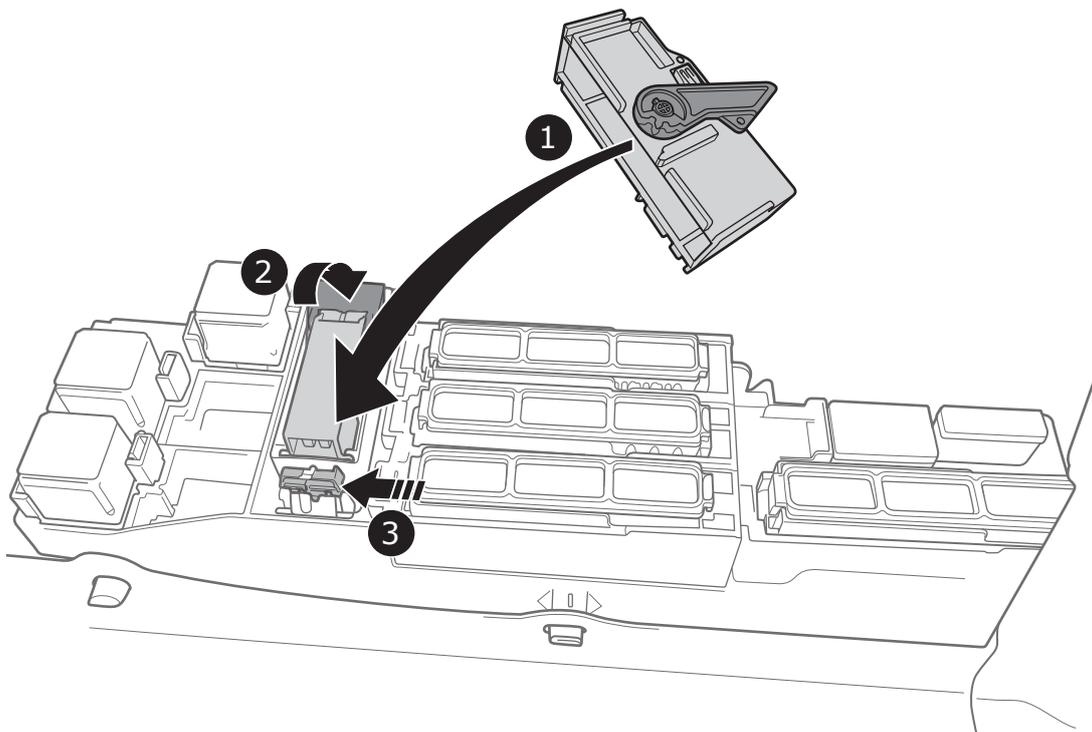
13



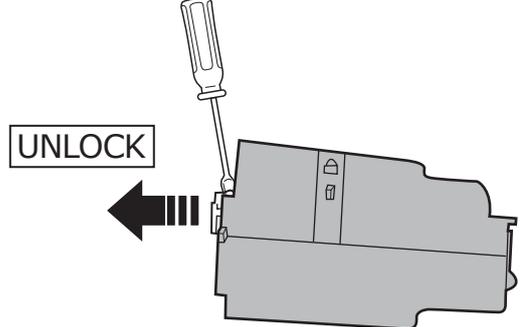
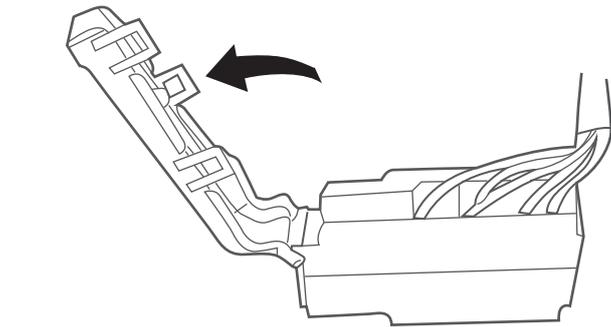
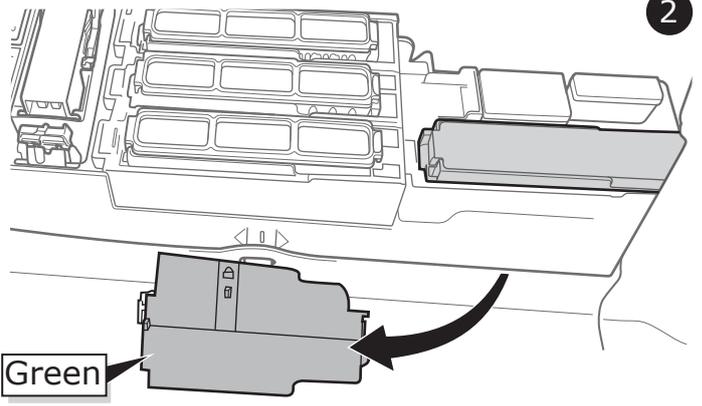
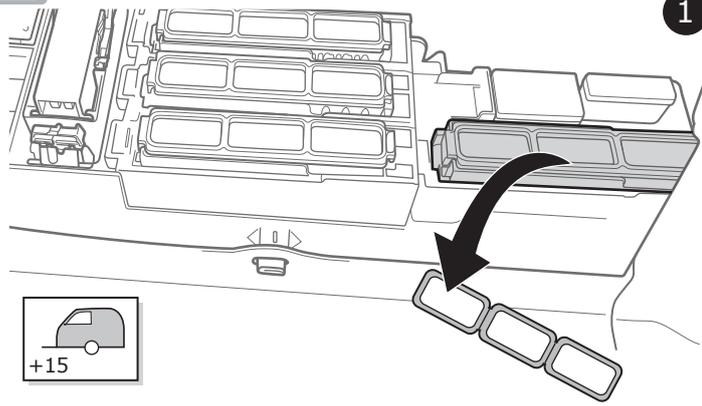
14



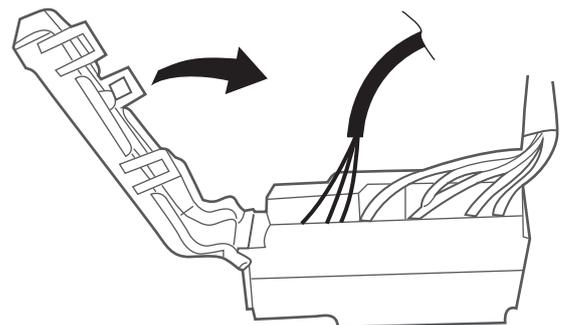
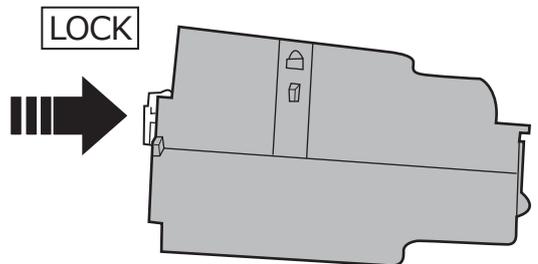
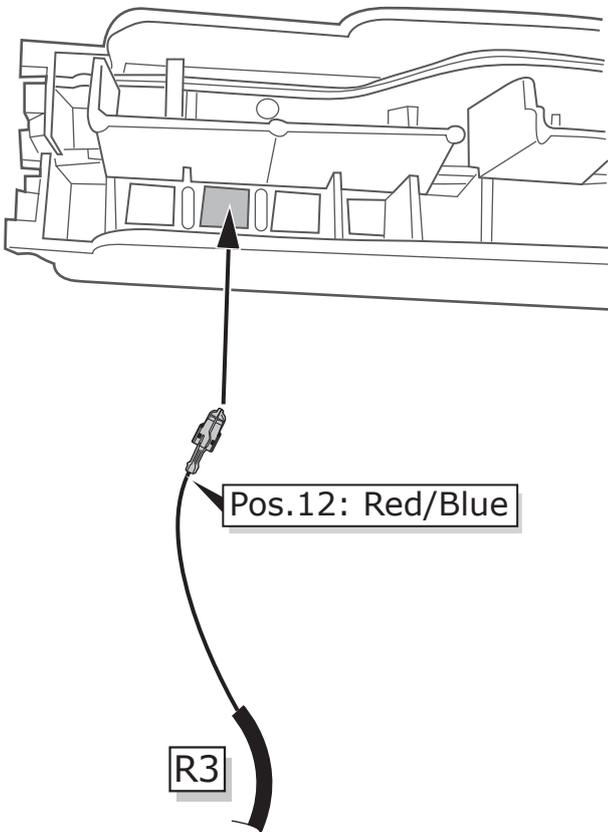
15



16

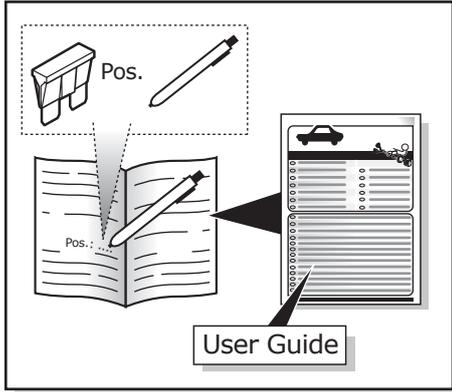


17

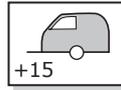


A6 Sedan / A7 Sportback / A6 Avant

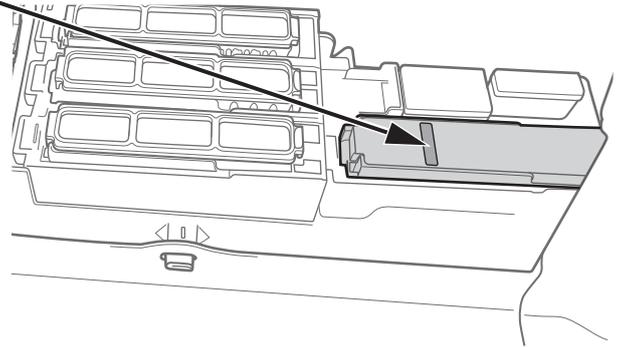
18



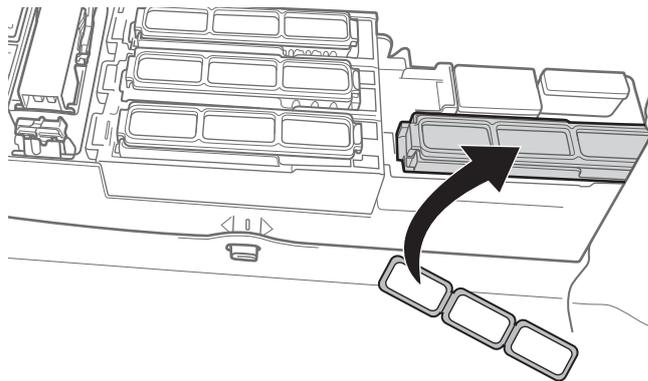
Pos. 12



1

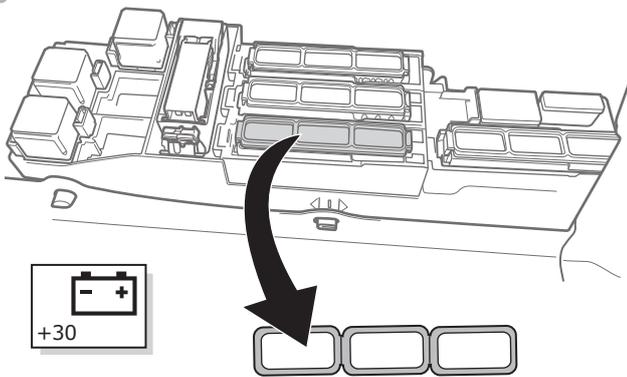


2



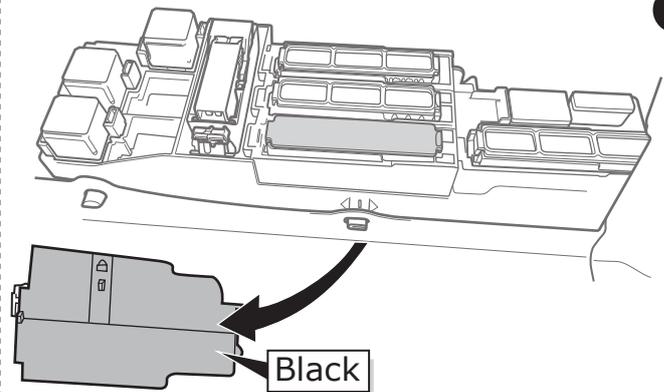
A6 Sedan / A7 Sportback / A6 Avant

19



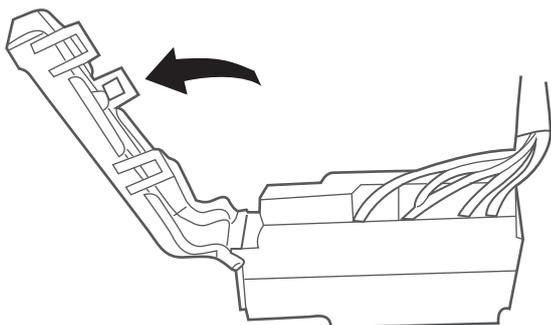
1

2

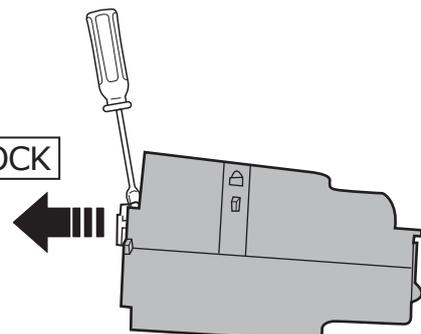


3

4

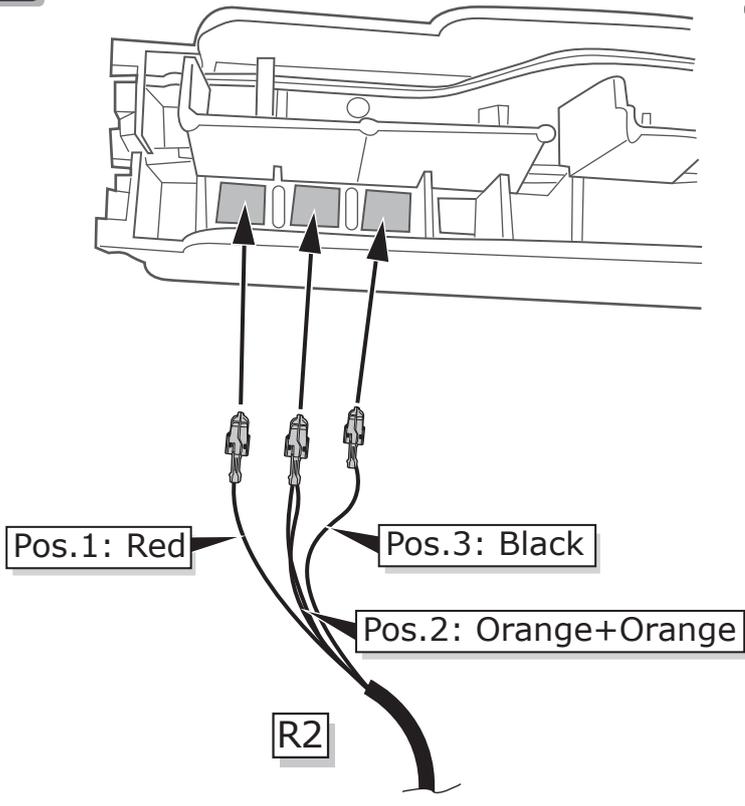


UNLOCK

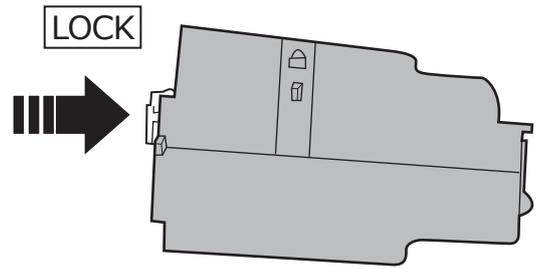


A6 Sedan / A7 Sportback / A6 Avant

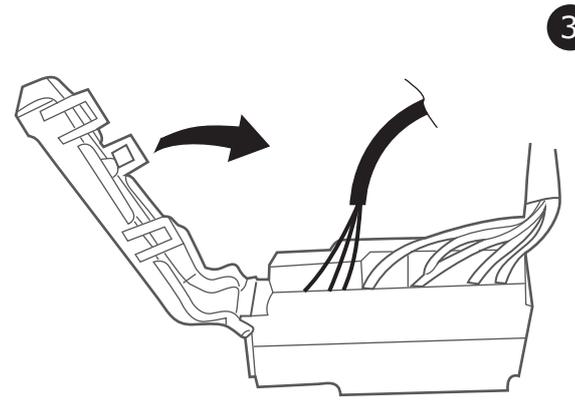
20



1

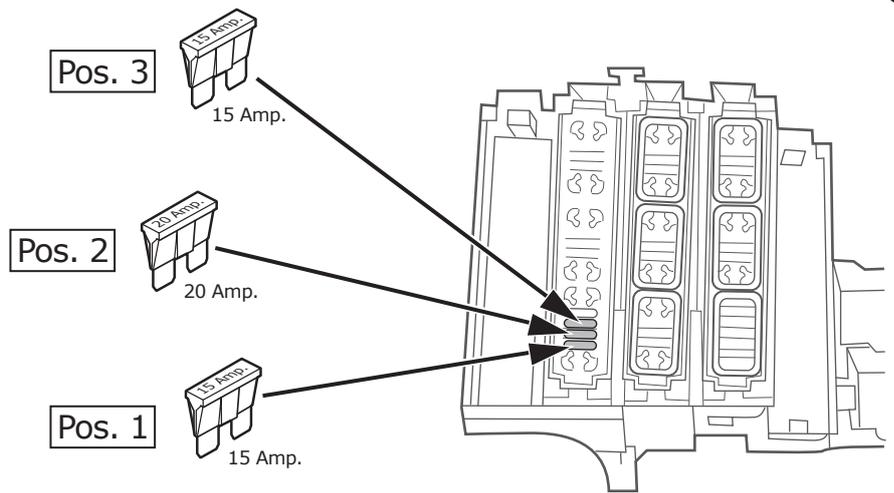
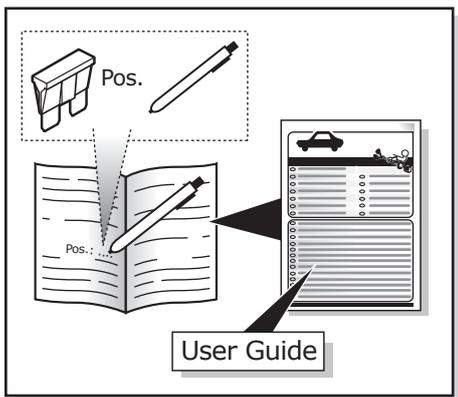


2

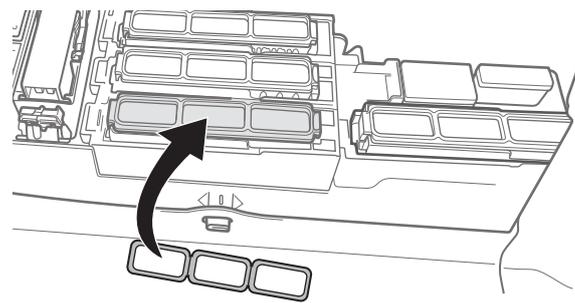


A6 Sedan / A7 Sportback / A6 Avant

21

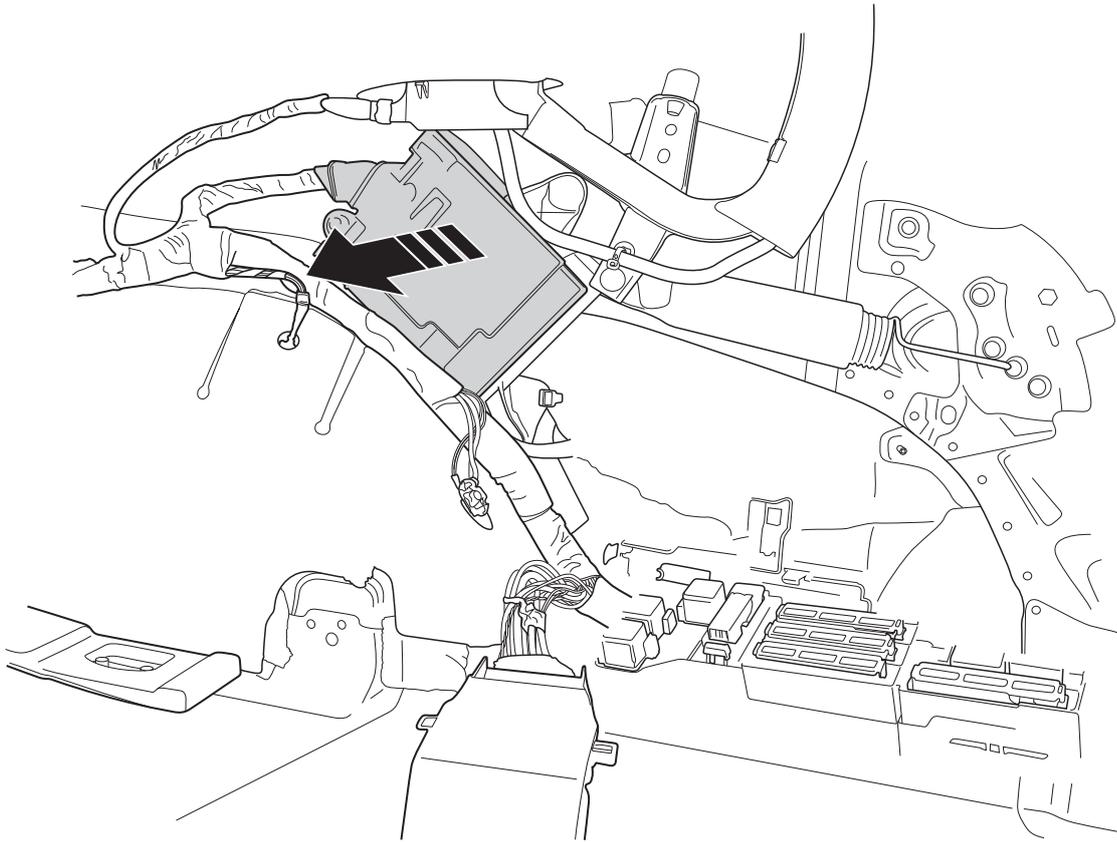


1



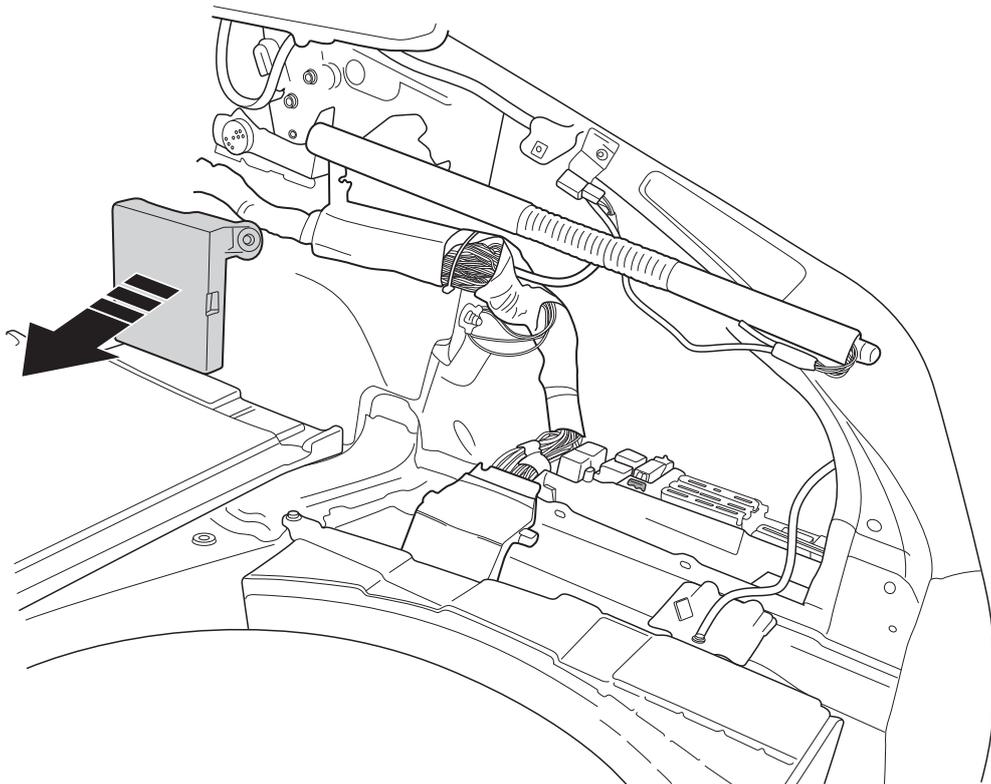
A6 Sedan / A6 Avant

22

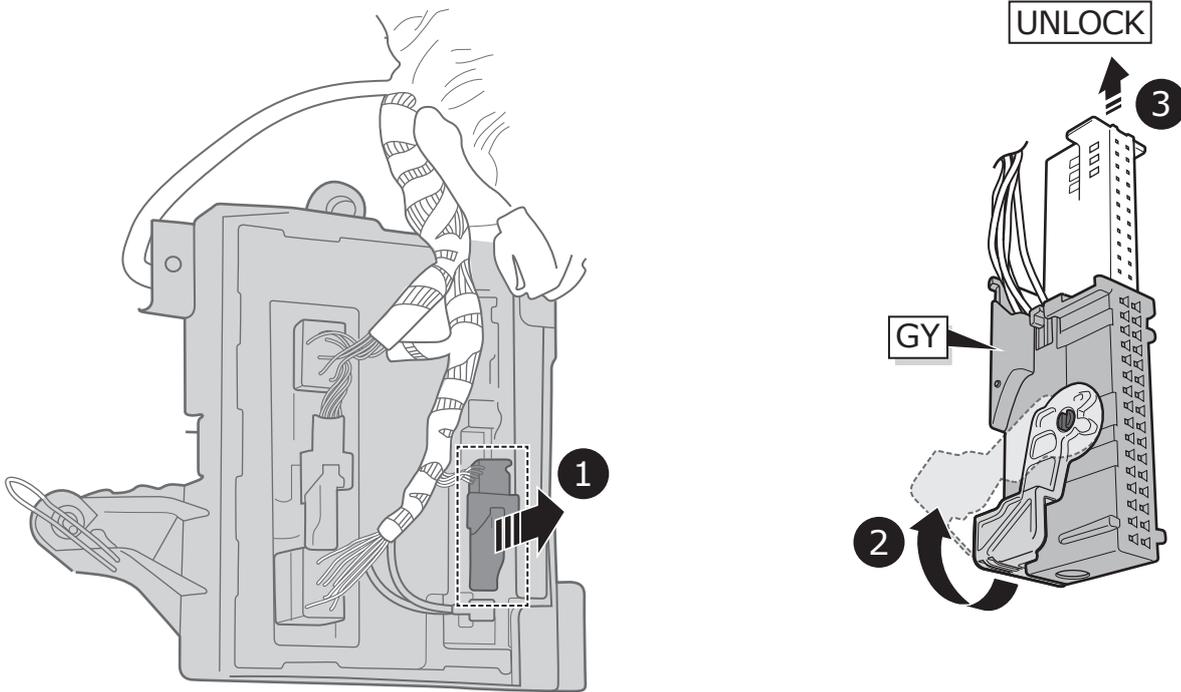


A7 Sportback

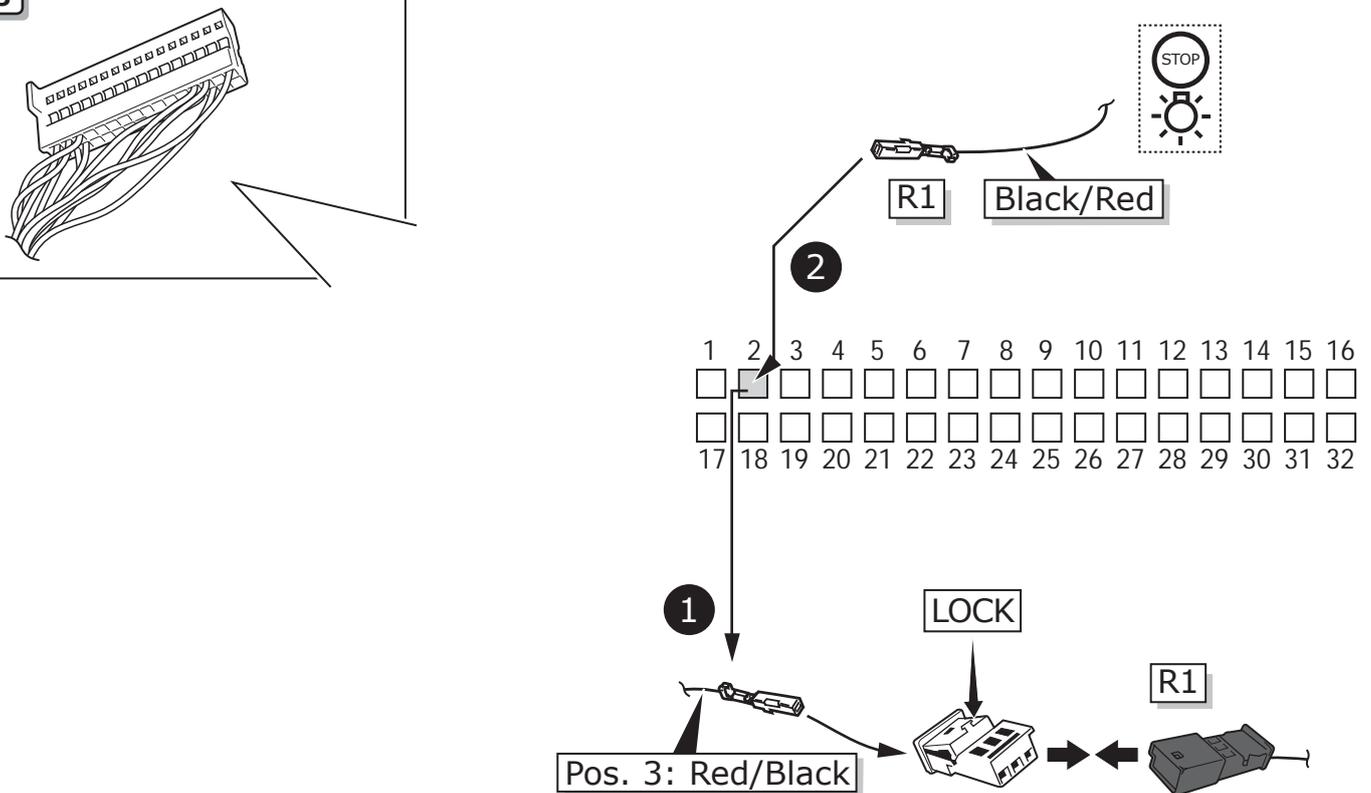
23



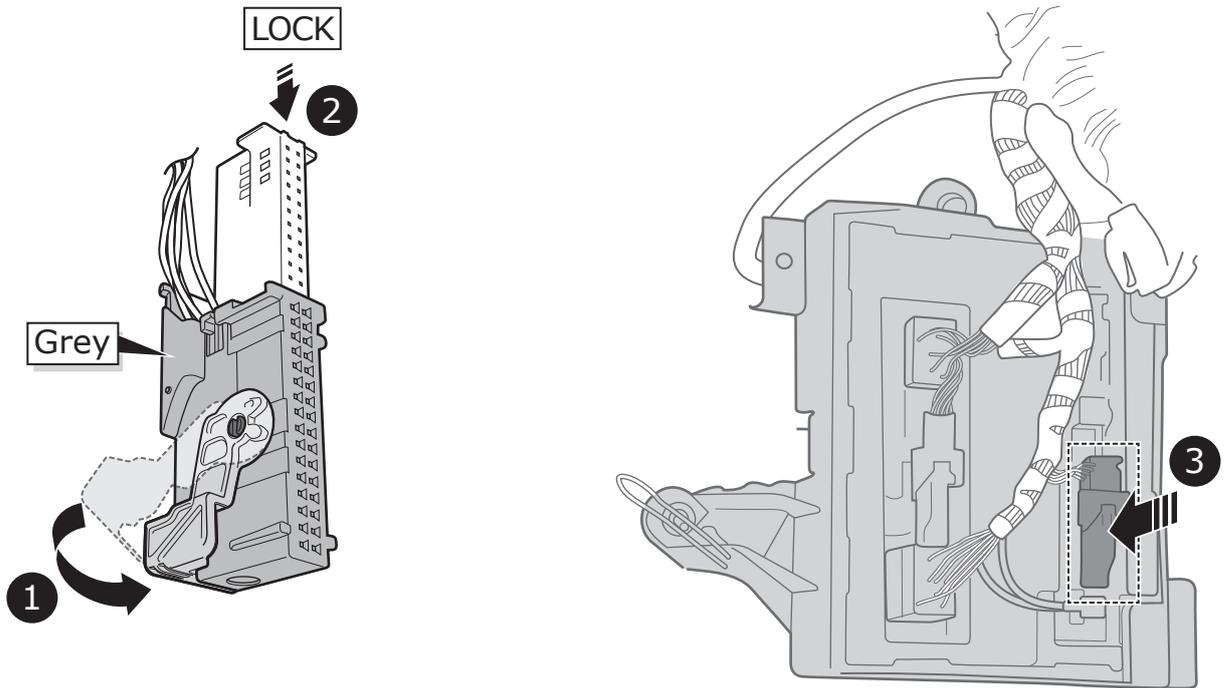
24



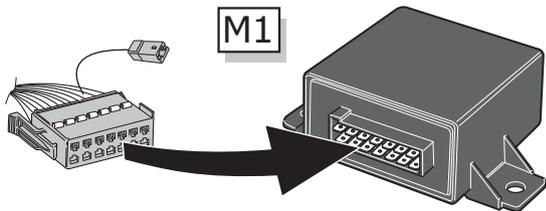
25



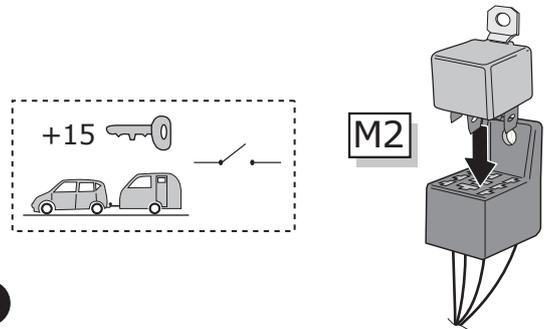
26



27

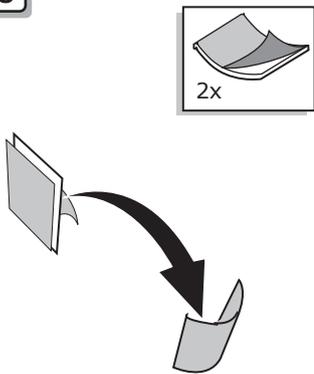


1

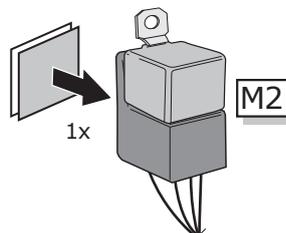
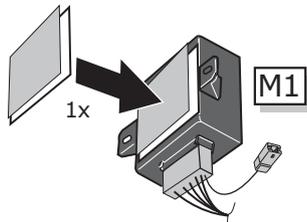


2

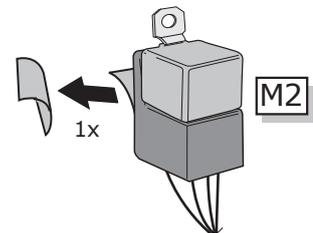
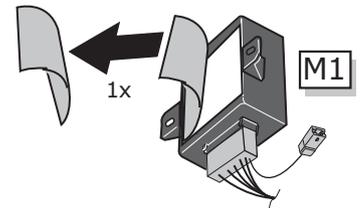
28



1

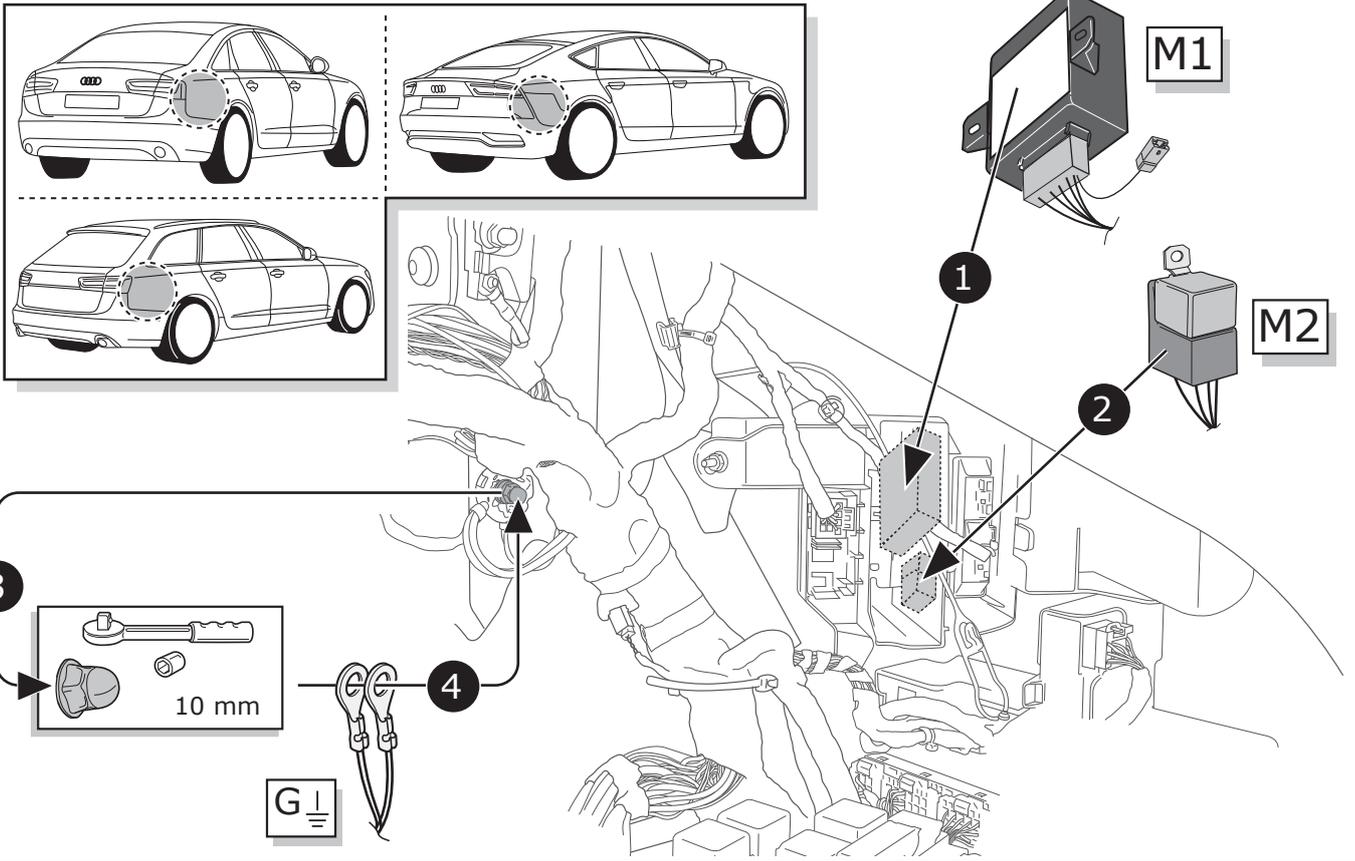


2



3

29



All models

30

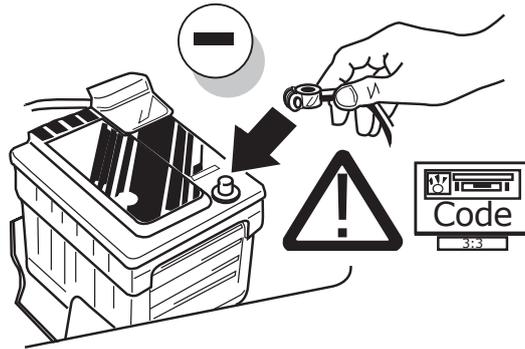
! TEST ALL THE CIRCUITS WITH A TEST DEVICE WITH THE CORRECT POWER LOAD FOR EACH FUNCTION. A TEST DEVICE WITH LED'S CANNOT BE USED FOR THIS PURPOSE.

31

With a VAG Service tester with the help of SVM code '050200' the software of the vehicle must be adjusted to trailer coupling converted D12.

All Models

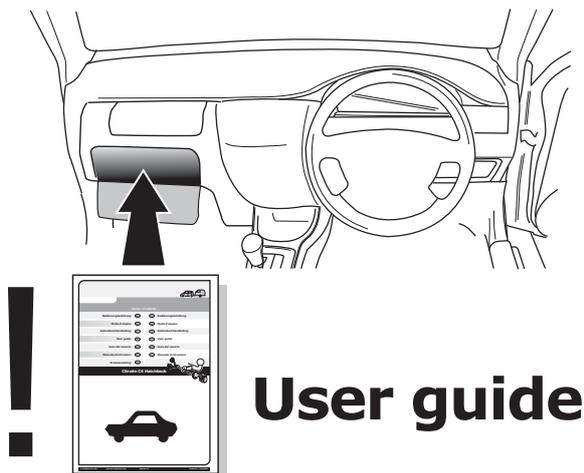
32



33

REINSTALL TRIM.

34



User guide



INFO

SOCKET CONNECTION

DIN/ISO 11446													
	1/L	2	3/31	4/R	5/58-R	6/54	7/58-L	8	9	10	11	12	13
Pmax	21W	21W		21W	42W	3x21W	42W	21W	180W/15Amp	180W/15Amp			
Colour	Black/White	Blue	Brown	Black/Green	Grey/Red	Black/Red	Grey/Black	Black	Red	Yellow	Brown	-	Brown