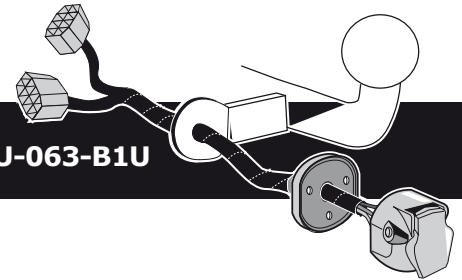


Only for Audi's without towbar preparation

Audi Q3 2012 --> 2014
Audi Q3 2015 -->

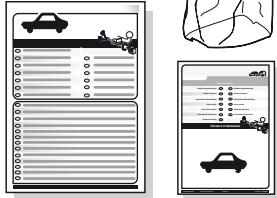
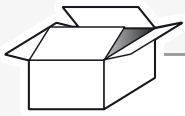
Partnr.: AU-063-B1U



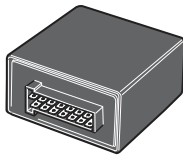
- Fitting instructions electric wiring kit tow bar with 12-N socket up to DIN/ISO Norm 1724.
- We would expressly point out that assembly not carried out properly by a competent installer will result in cancellation of any right to damage compensation, in particular those arising by virtue of the product liability act.
- Contents of these kits and their fitting manuals are subject to alteration without notice, please ensure that these instructions are read and fully understood before commencing installation.
- Do not overload circuits; the maximum loads per connection are detailed in this manual.
- Attention! Before Installation, please read this manual carefully and inform your customer to consult the vehicle owners manual to check for any vehicle modifications required before towing.
- In the event of functional problems, troubleshooting must be limited to about 0.5 hours, contact the technical support:
ukts@ecs-electronics.com / 07440 202 052.



Part list



M



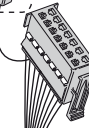
A



G



*



M

X



L1



L2



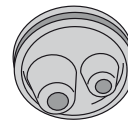
L3



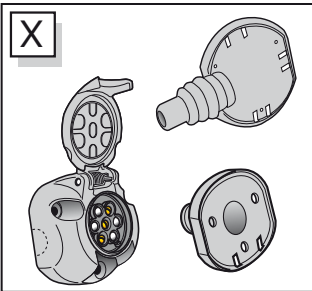
L4



T



30x



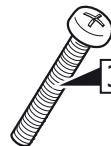
* Reverse signal preparation
 Pag. 12



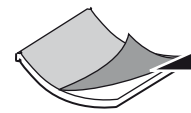
3x



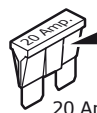
3x



1x

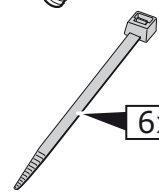


1x



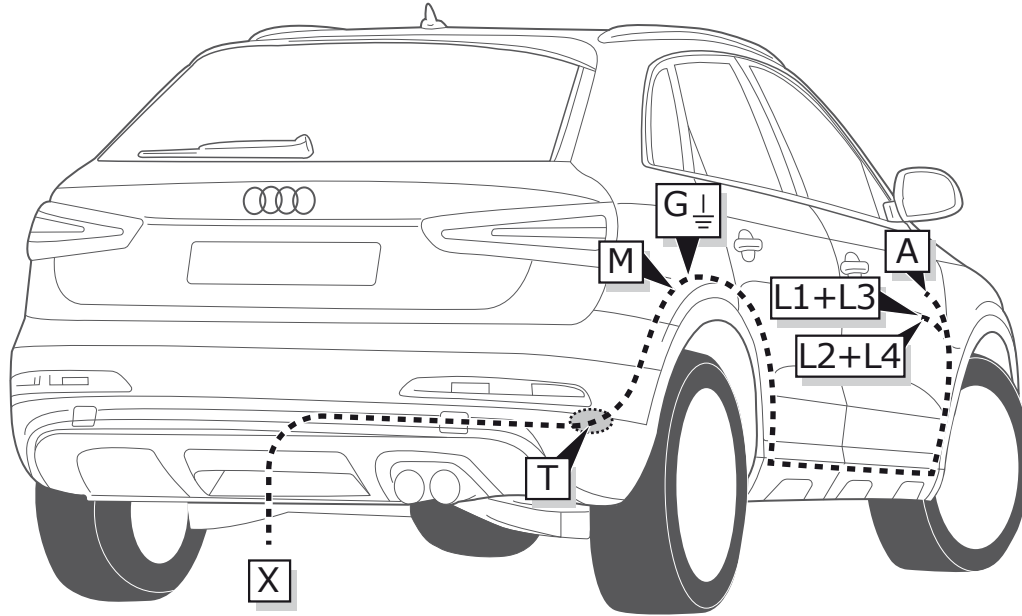
20 Amp.

6x

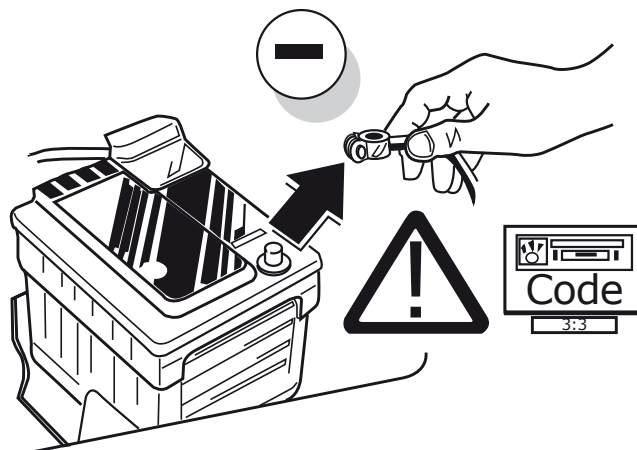


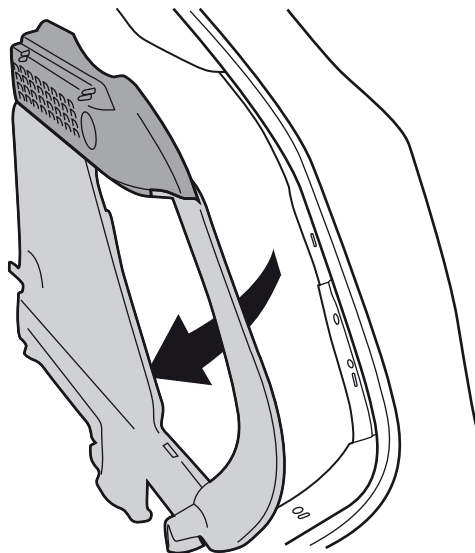
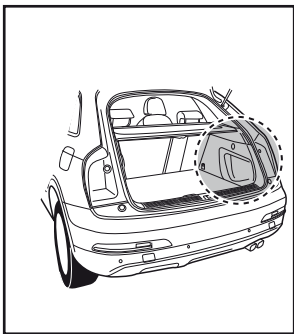
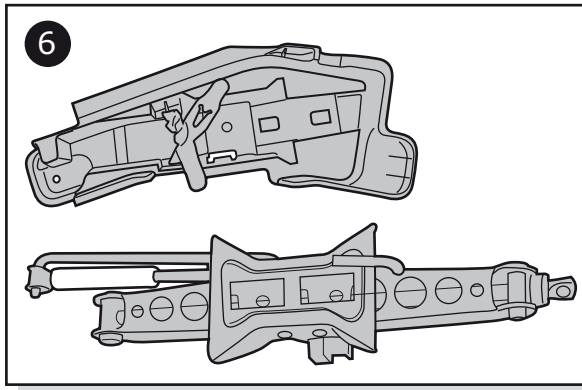
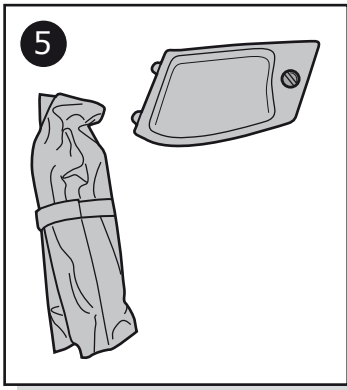
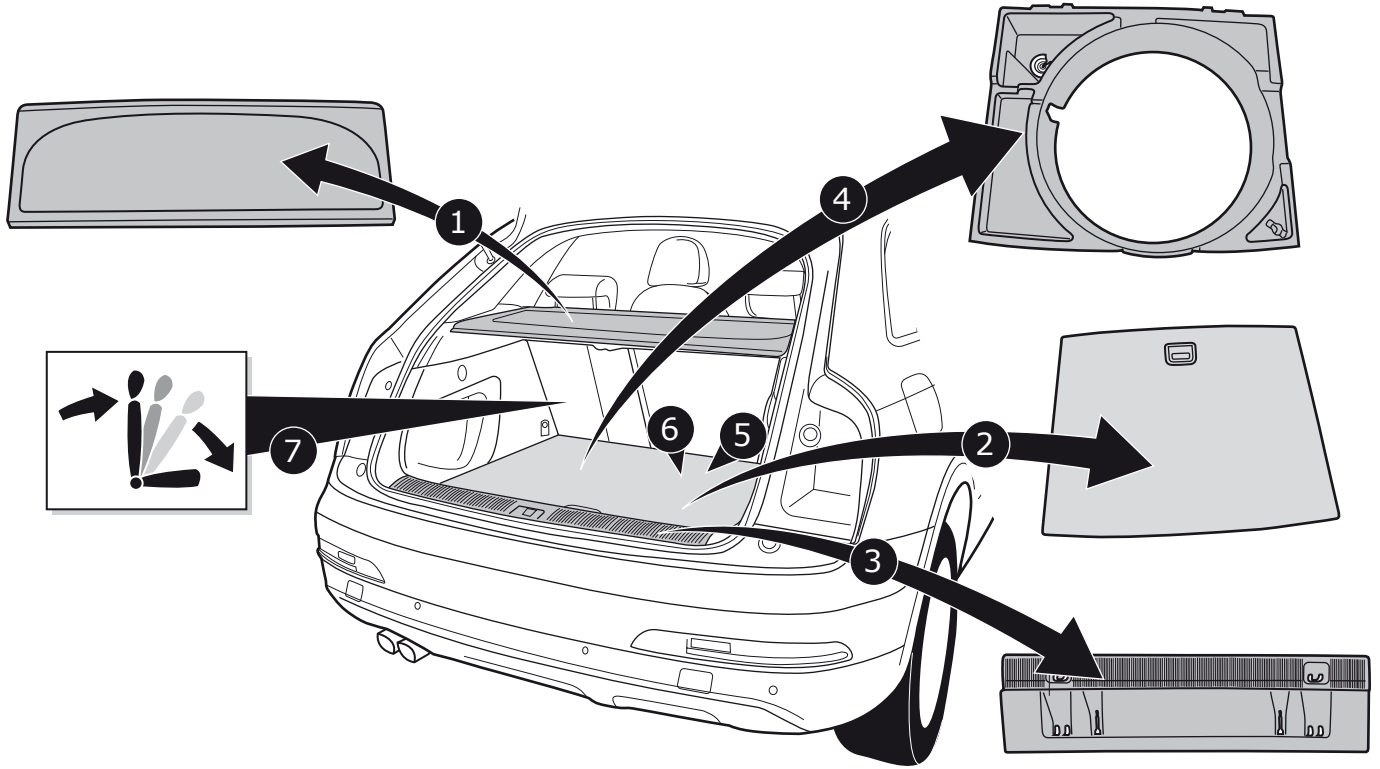
2x



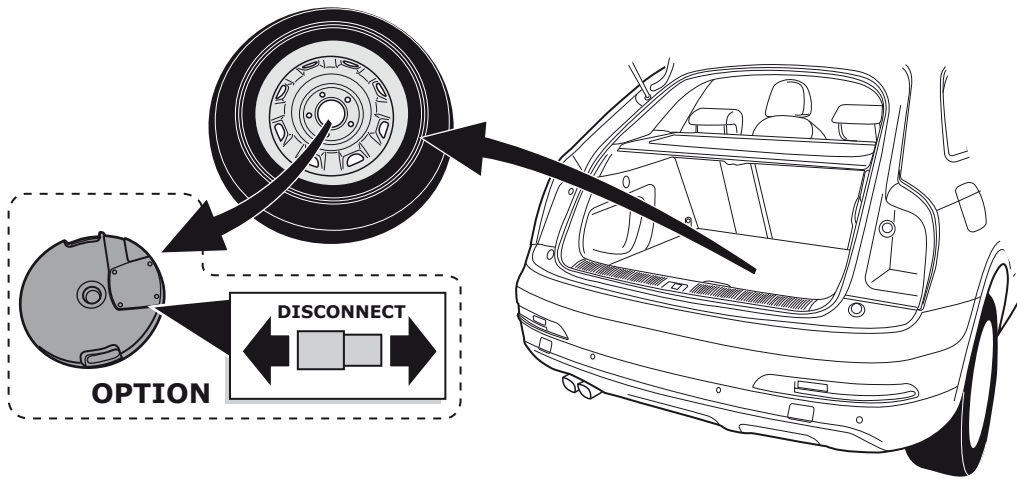


1

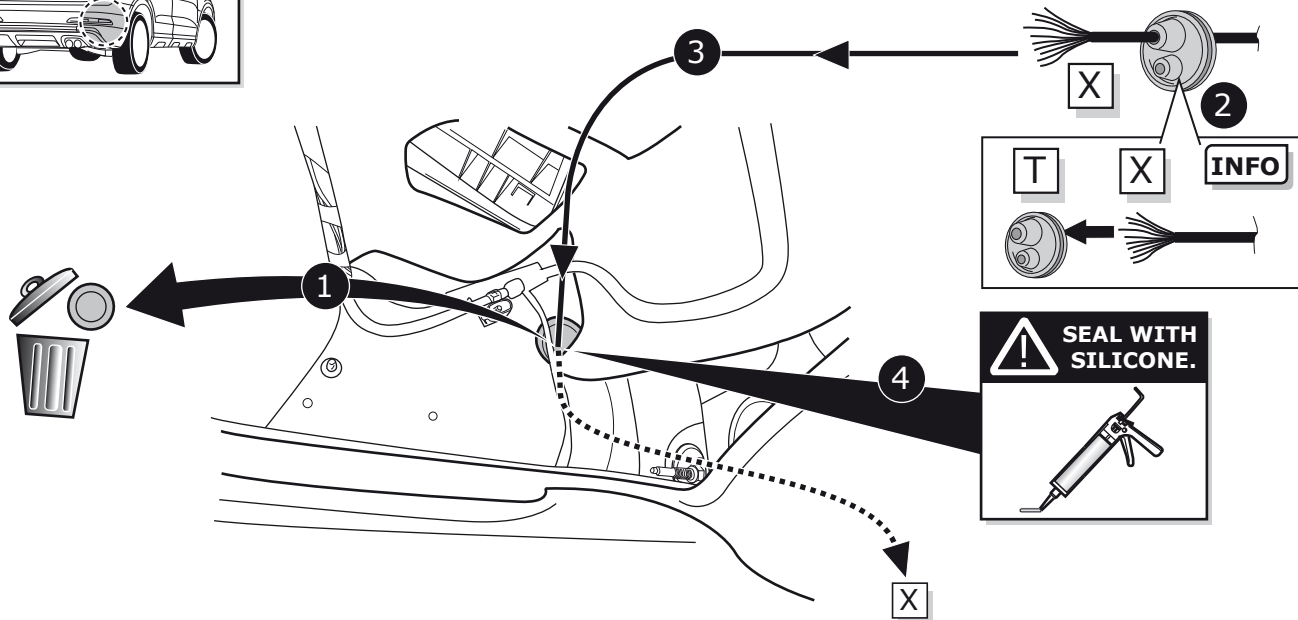
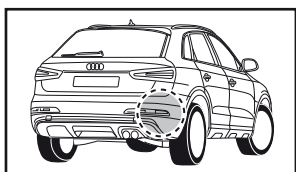




4

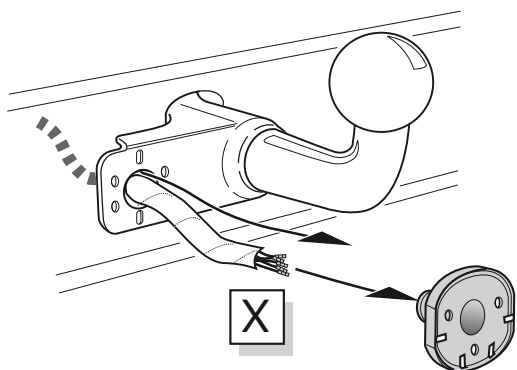


5

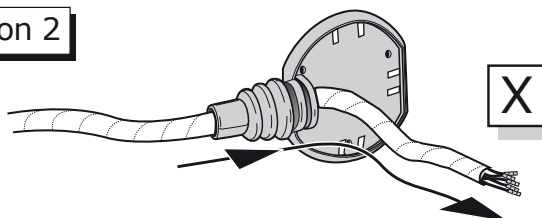


A

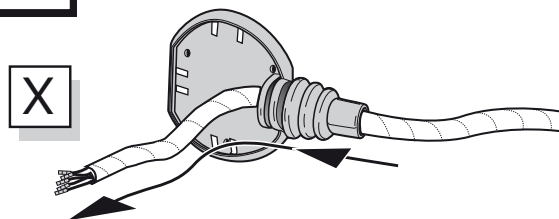
Option 1



Option 2



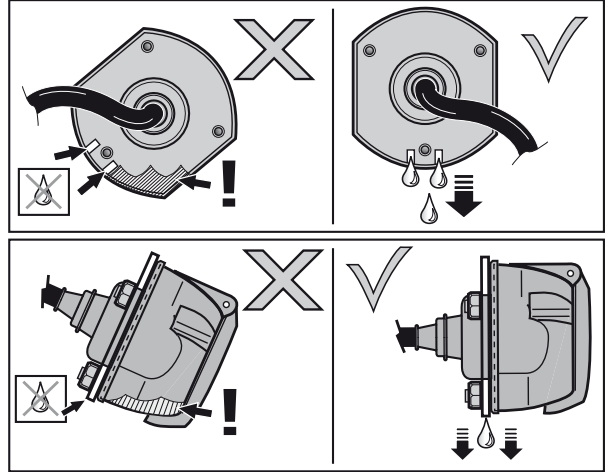
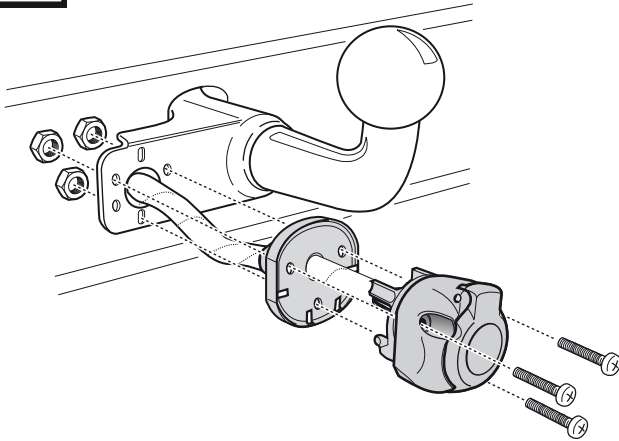
Option 3





B

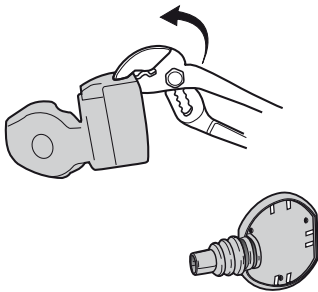
Option 1



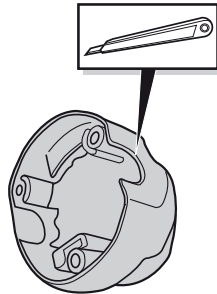
C

Option 2

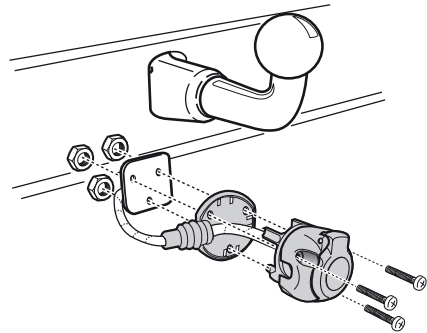
1



2



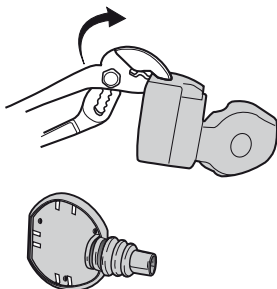
3



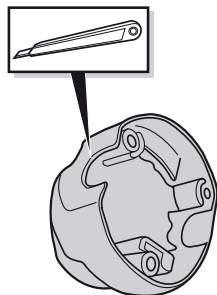
D

Option 3

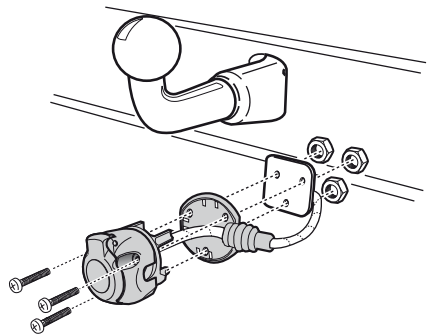
1



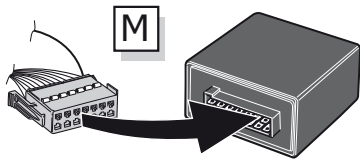
2



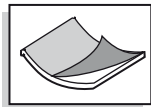
3



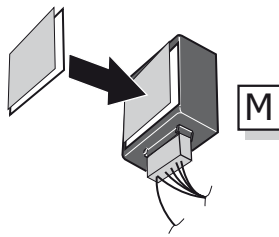
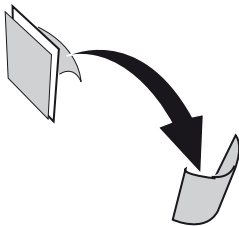
6



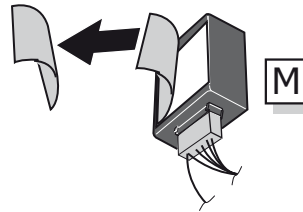
1



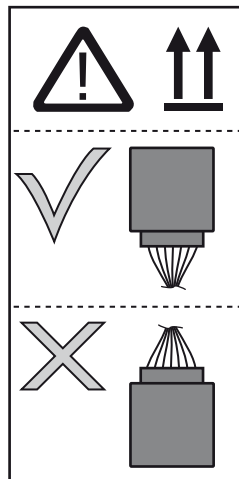
2



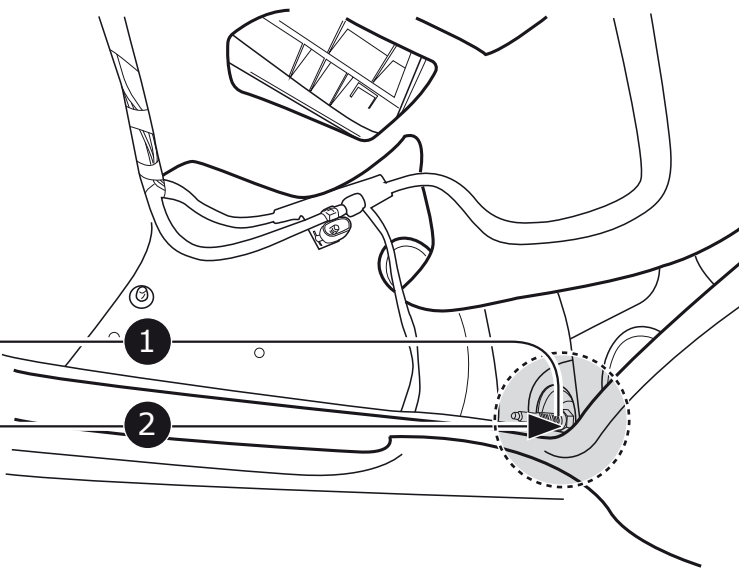
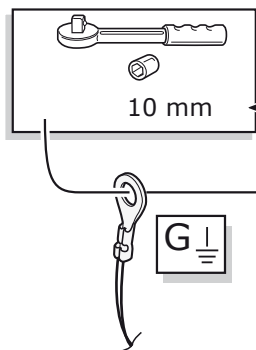
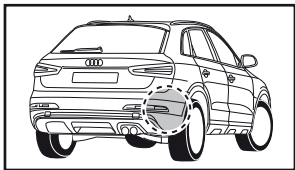
3



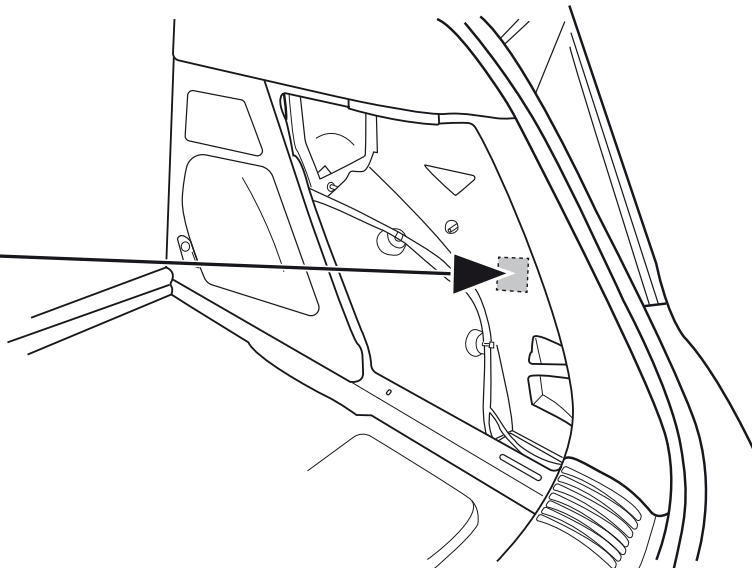
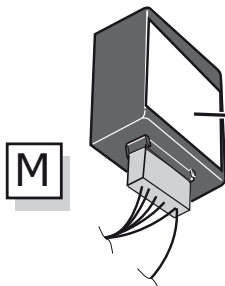
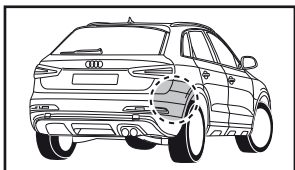
4



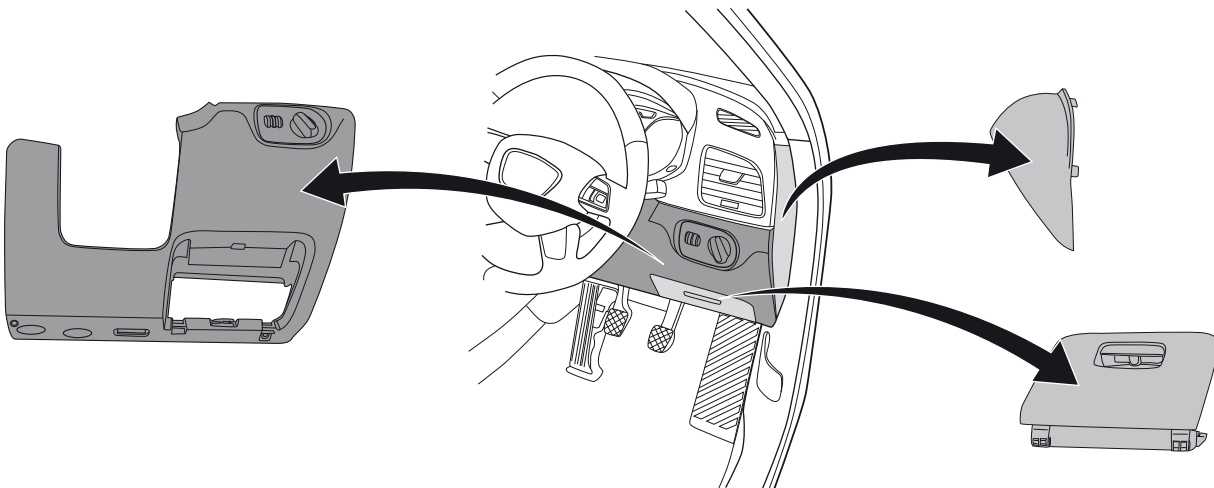
7



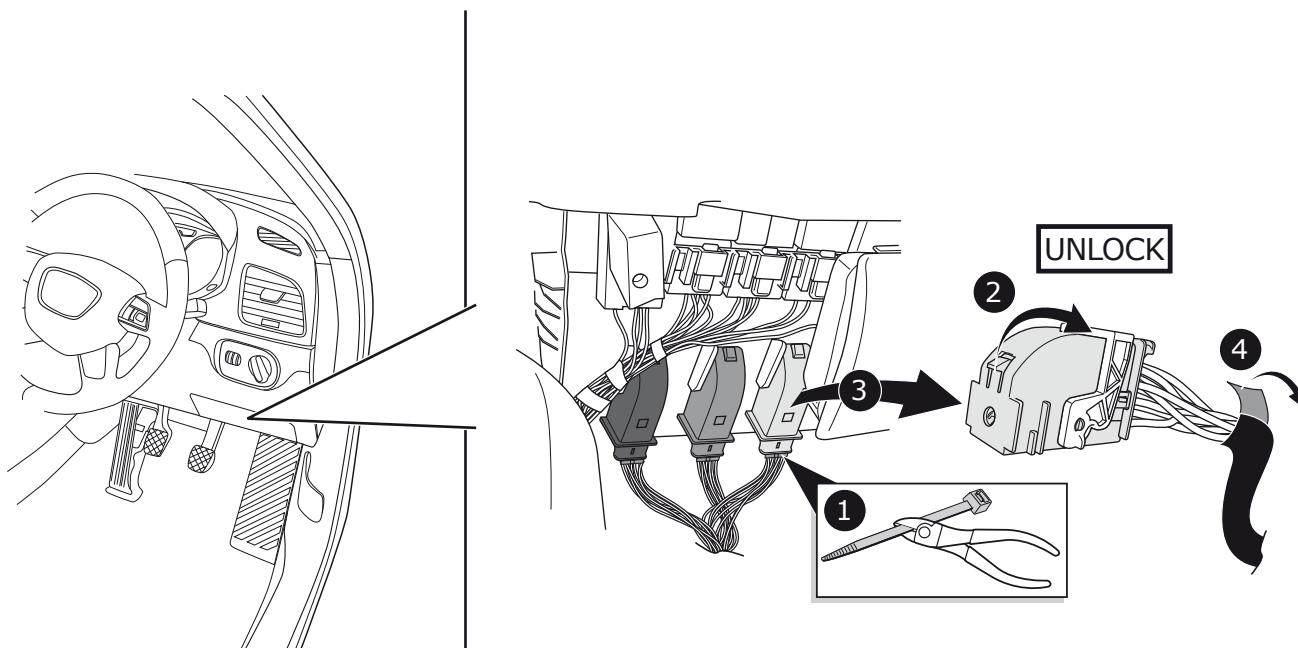
8



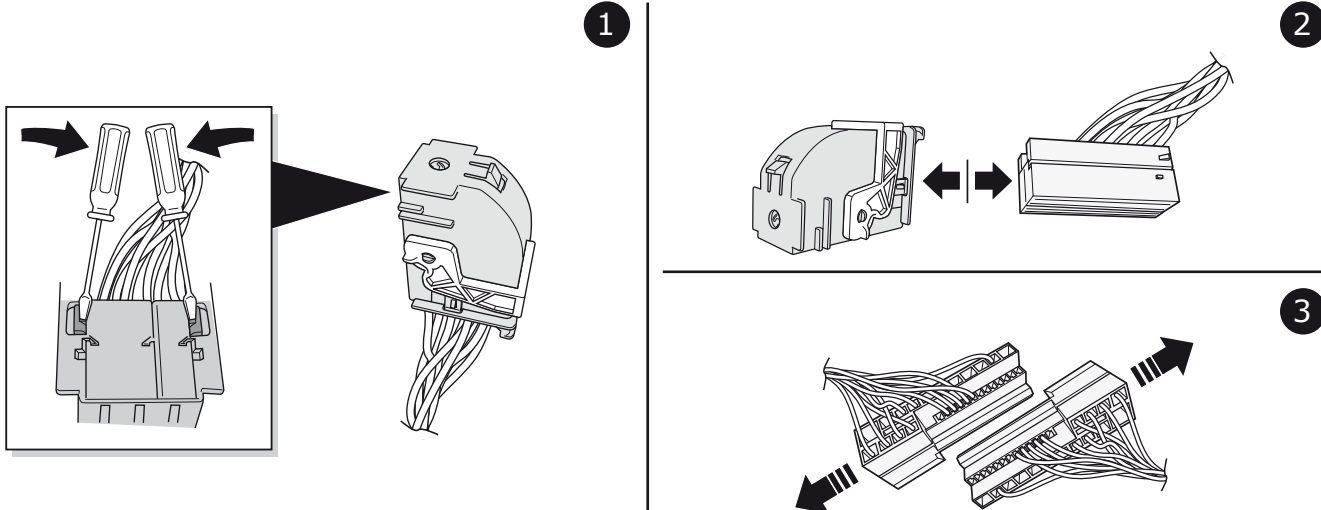
9



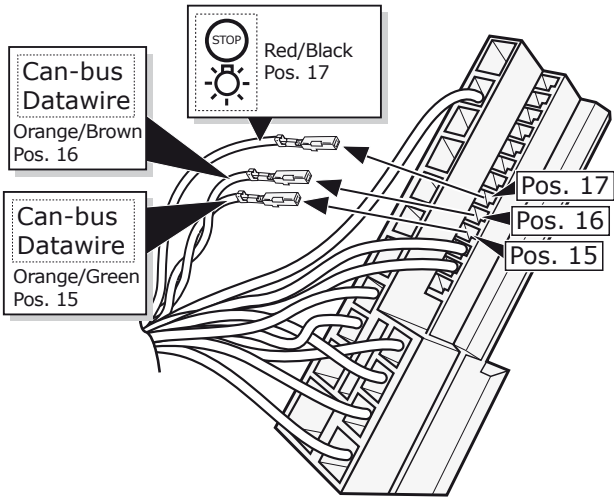
10



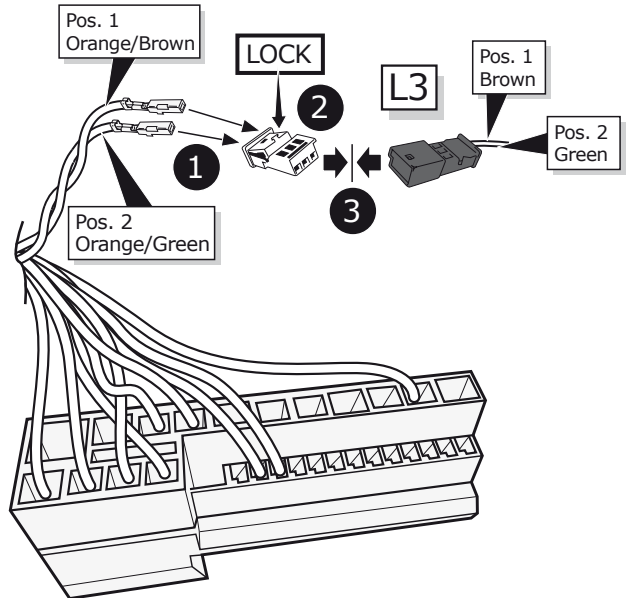
11



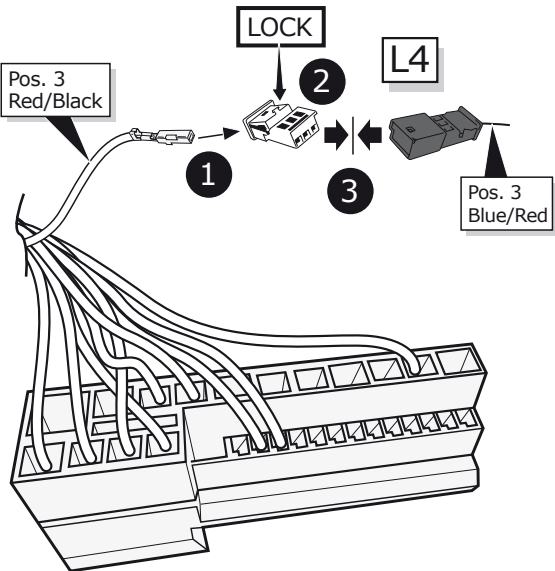
12



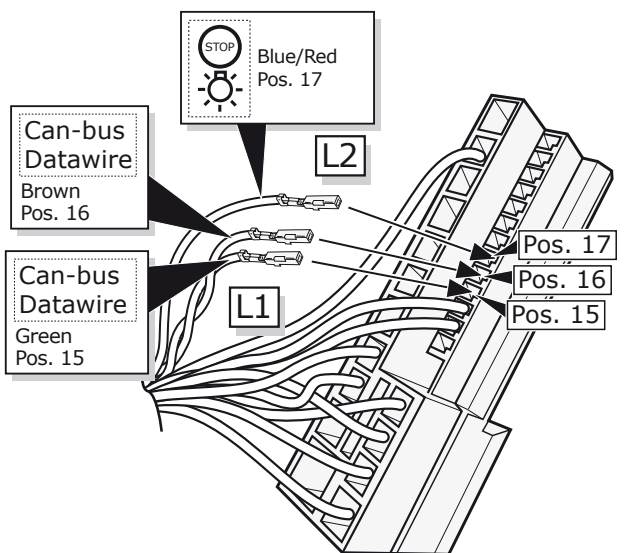
13



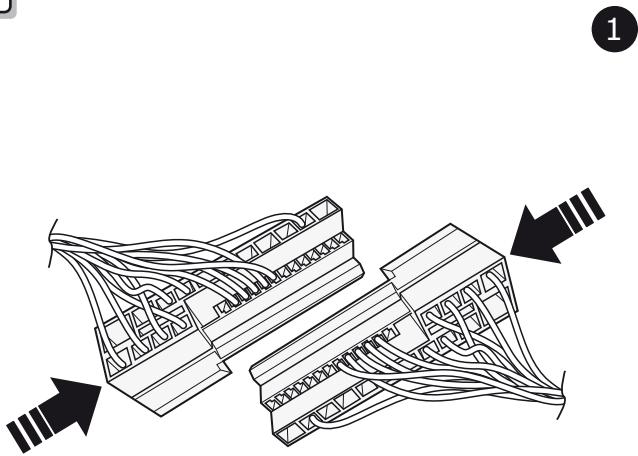
14



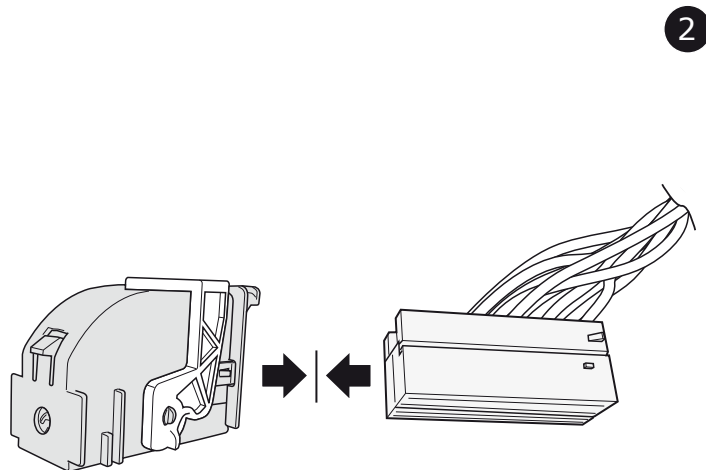
15



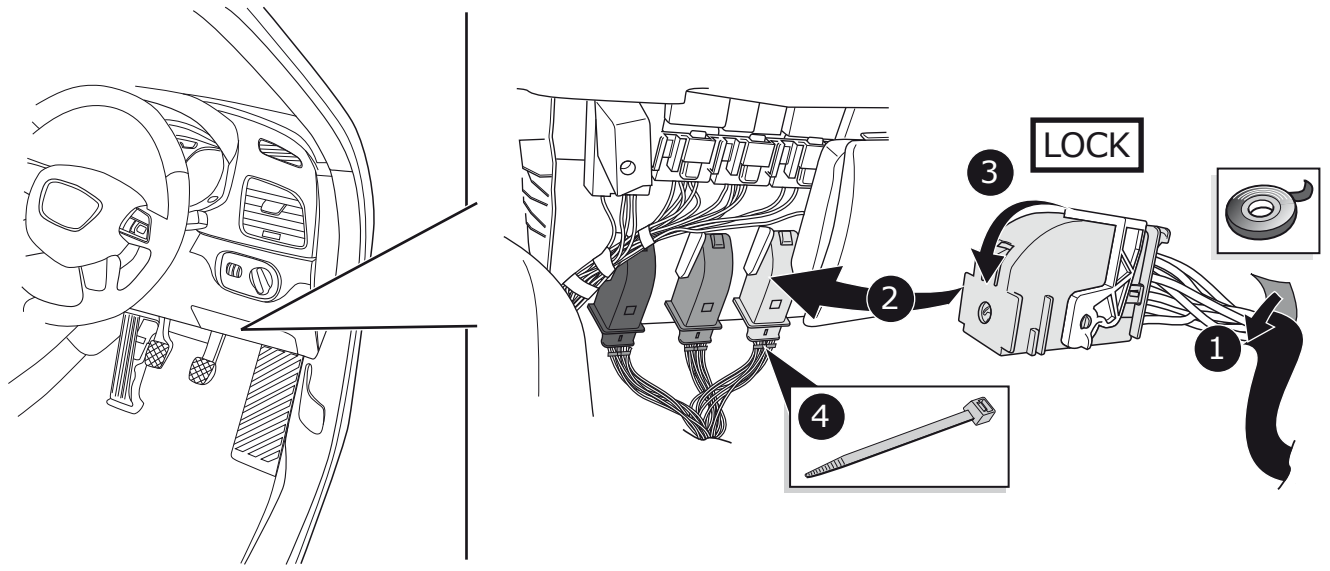
16



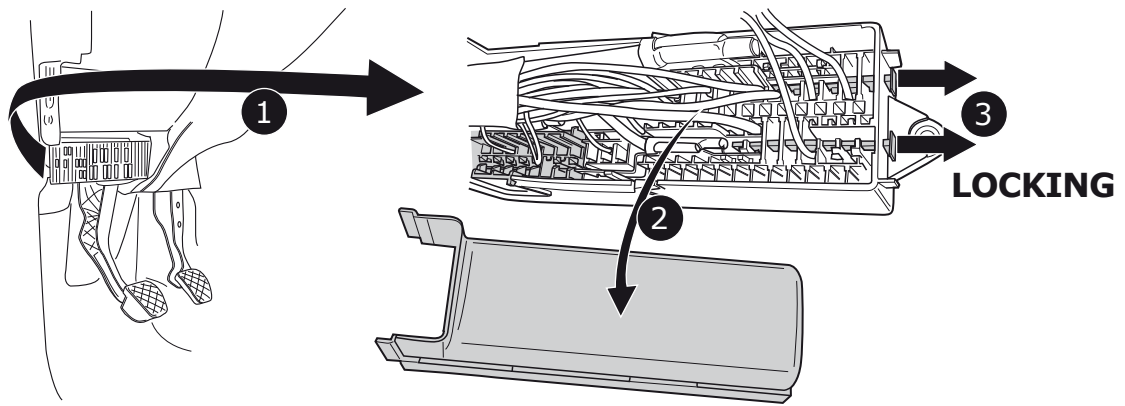
2



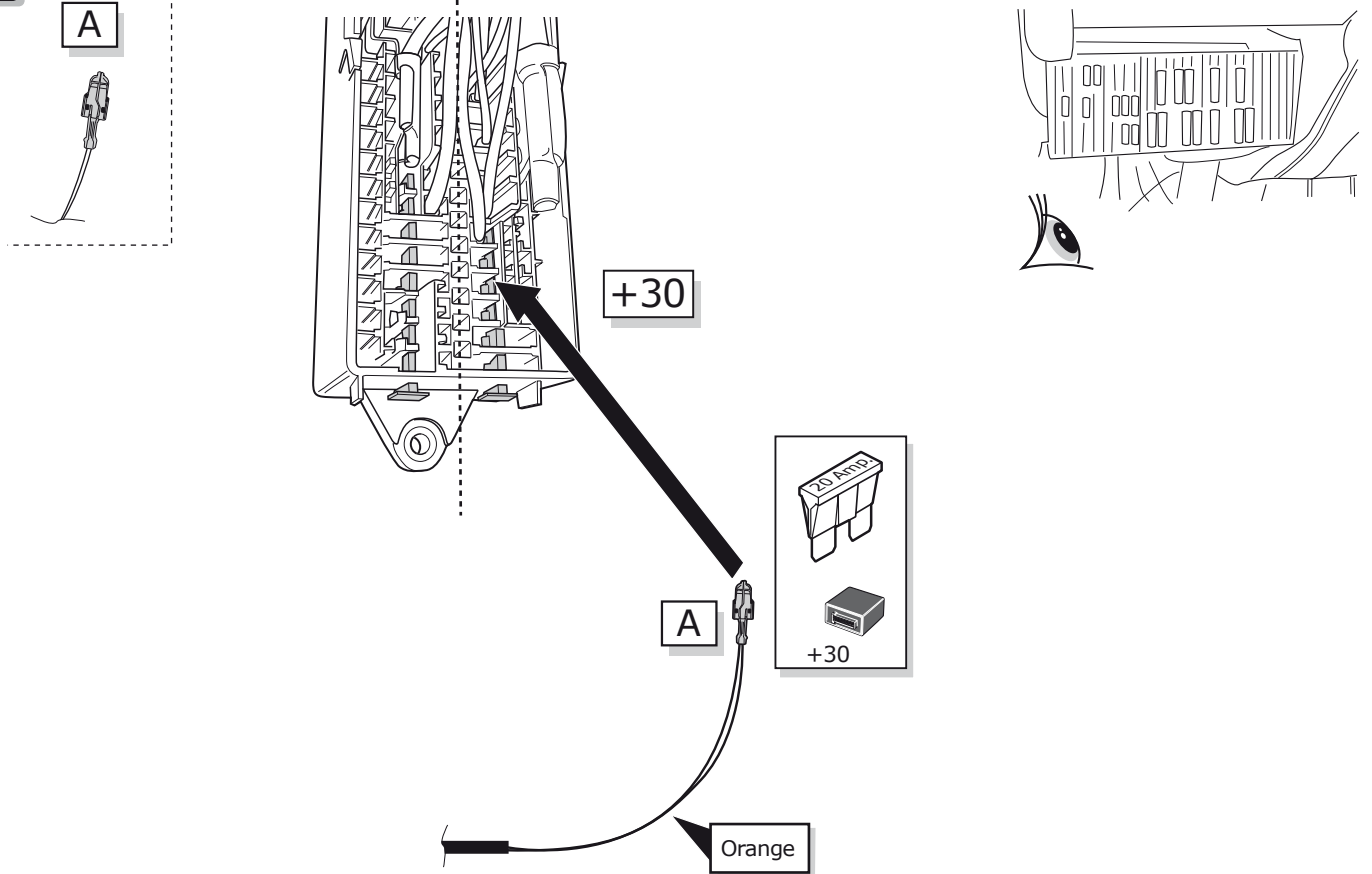
17



18



19



20

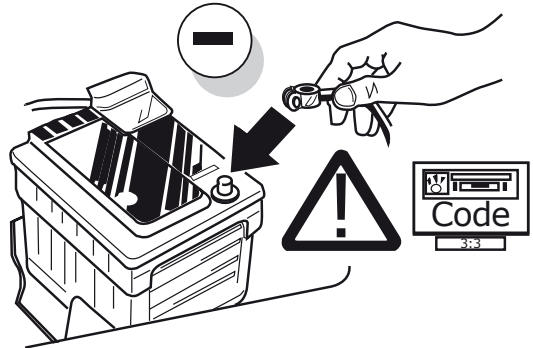
A VAG Service Tester must be used to code the vehicle's Gateway with the additional function for the towing hitch at the dealer.

21



TEST ALL THE CIRCUITS WITH A TEST DEVICE WITH THE CORRECT POWER LOAD FOR EACH FUNCTION. A TEST DEVICE WITH LED'S CANNOT BE USED FOR THIS PURPOSE.

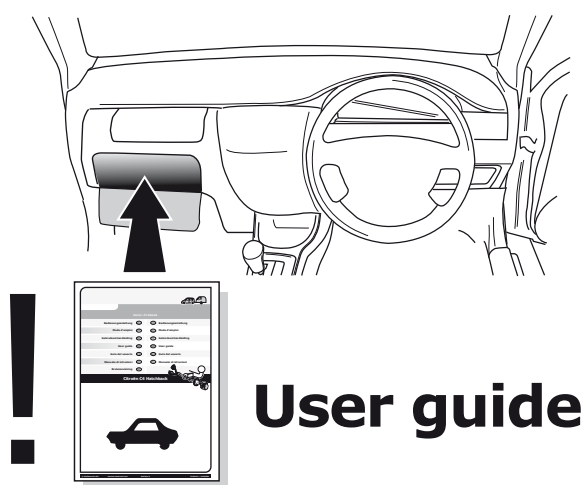
22



23

REINSTALL TRIM.

24



User guide

TECHNICAL SUPPORT

CALL 07440 202 052

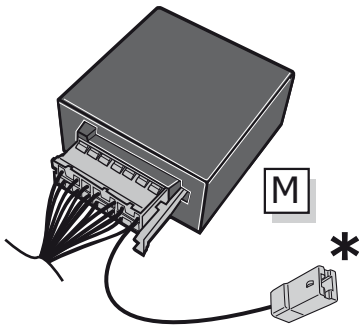
ECS ELECTRONICS MONDAY TO FRIDAY
 08.00 - 11.00 am
 12.00 - 05.00 pm
 ukts@ecs-electronics.com
 www.ecs-electronicsuk.co.uk

SOCKET CONNECTION

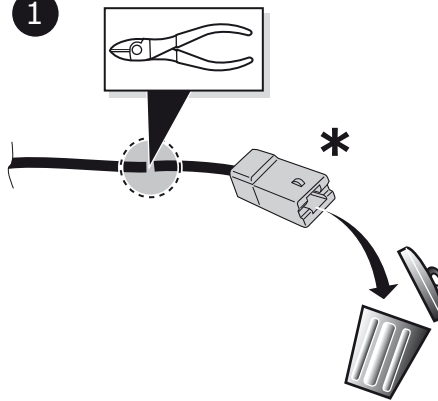
DIN/ISO 1724							
	1/L	2	3/31	4/R	5/58-R	6/54	7/58-L
Pmax	21W	21W		21W	42W	3x21W	42W
Colour	Black/ White	Blue	Brown	Black/ Green	Grey/ Red	Black/ Red	Grey/ Black

Reverse signal preparation

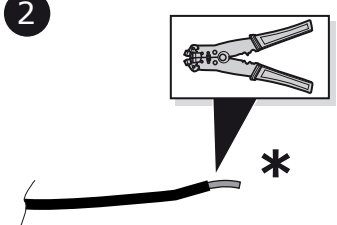
A



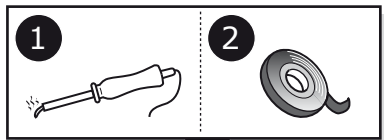
1



2



B



MAX = 21W