

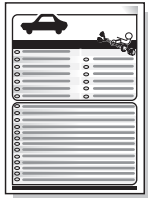
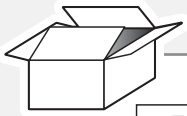
Citroën C5 Break 10/2008- (Production Nr. 11679-)

Partnr.: CT-047-B1U

- Fitting instructions electric wiring kit tow bar with 12-N socket up to DIN/ISO Norm 1724.
- We would expressly point out that assembly not carried out properly by a competent installer will result in cancellation of any right to damage compensation, in particular those arising by virtue of the product liability act.
- Contents of these kits and their fitting manuals are subject to alteration without notice, please ensure that these instructions are read and fully understood before commencing installation.
- Do not overload circuits; the maximum loads per connection are detailed in this manual.
- Attention! Before Installation, please read this manual carefully and inform your customer to consult the vehicle owners manual to check for any vehicle modifications required before towing.
- In the event of functional problems, troubleshooting must be limited to about 0.5 hours, contact the technical support:
ukts@ecs-electronics.com / 07440 202 052.



Part list



M

L3

M

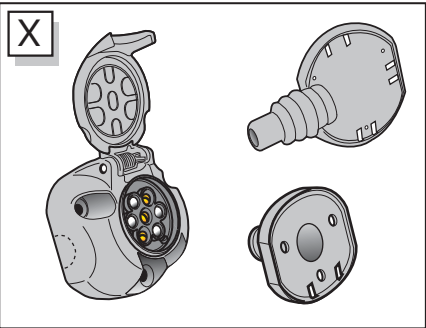
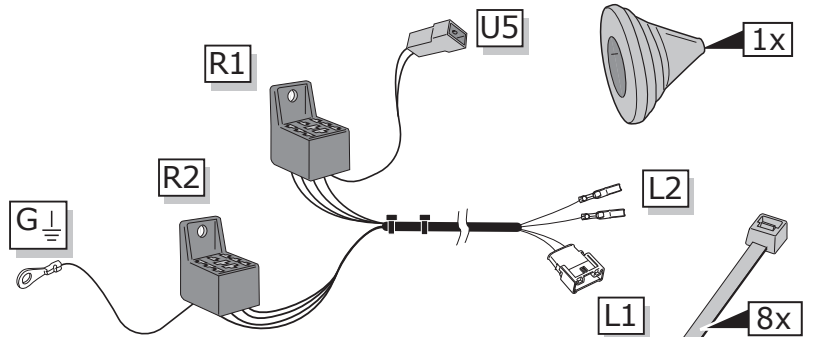
U4

X

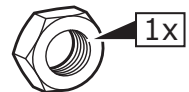
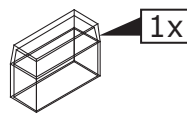
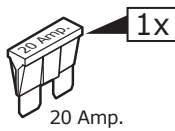
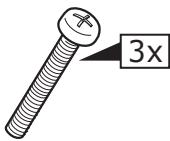
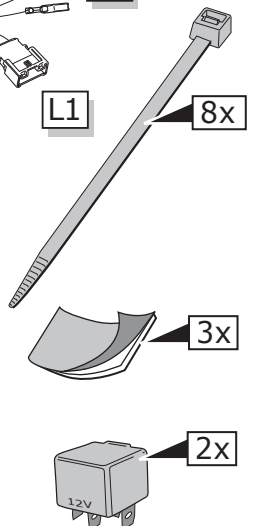
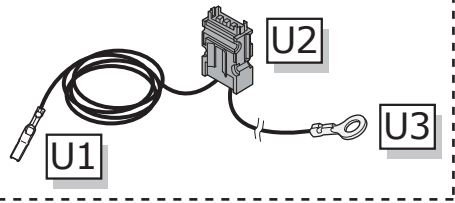


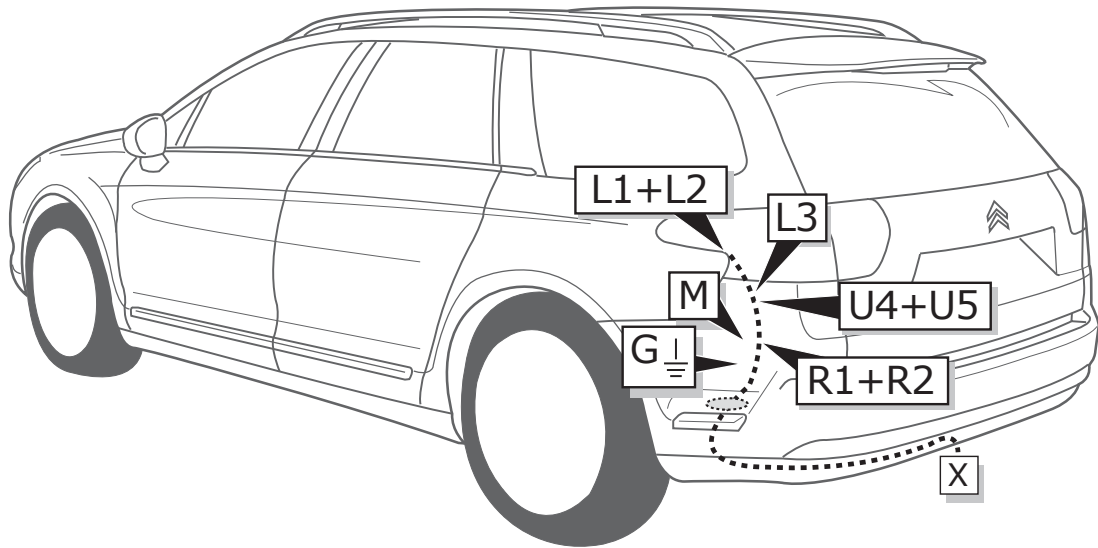
UN-243-YZ
 Optional reverse lamp
 pre-wire extension included

Pag. 12

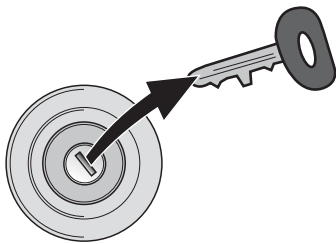


OPTION V6 HDI

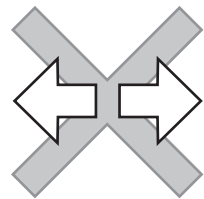
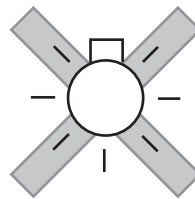




1

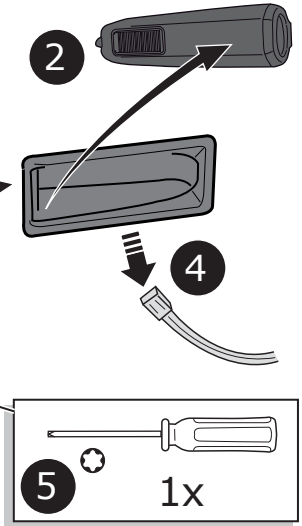
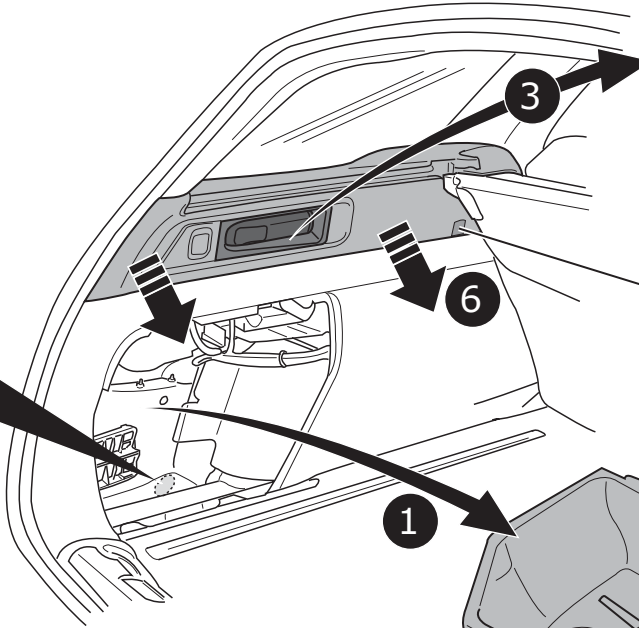
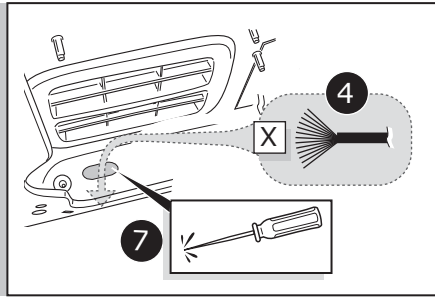


1



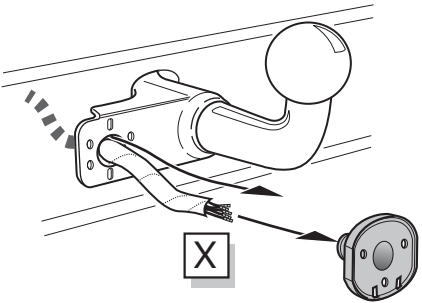
2

2

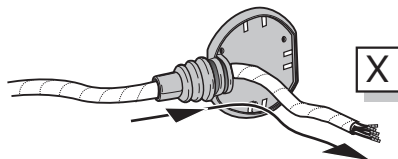


A

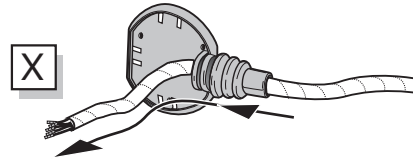
Option 1



Option 2



Option 3



INFO

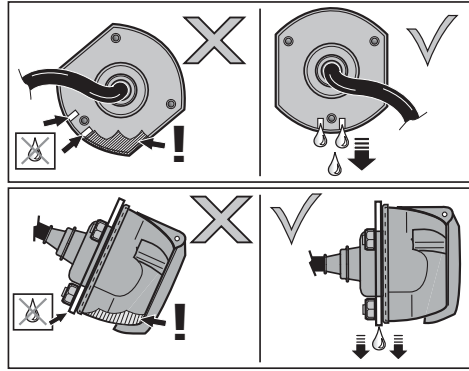
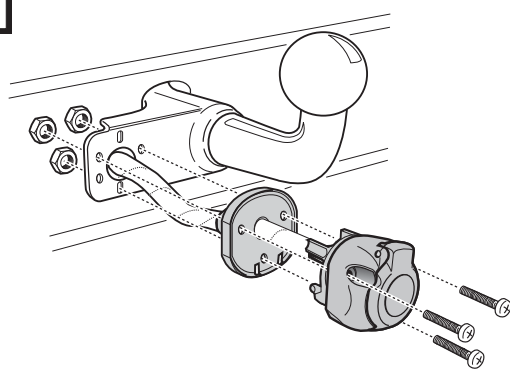
SOCKET CONNECTION

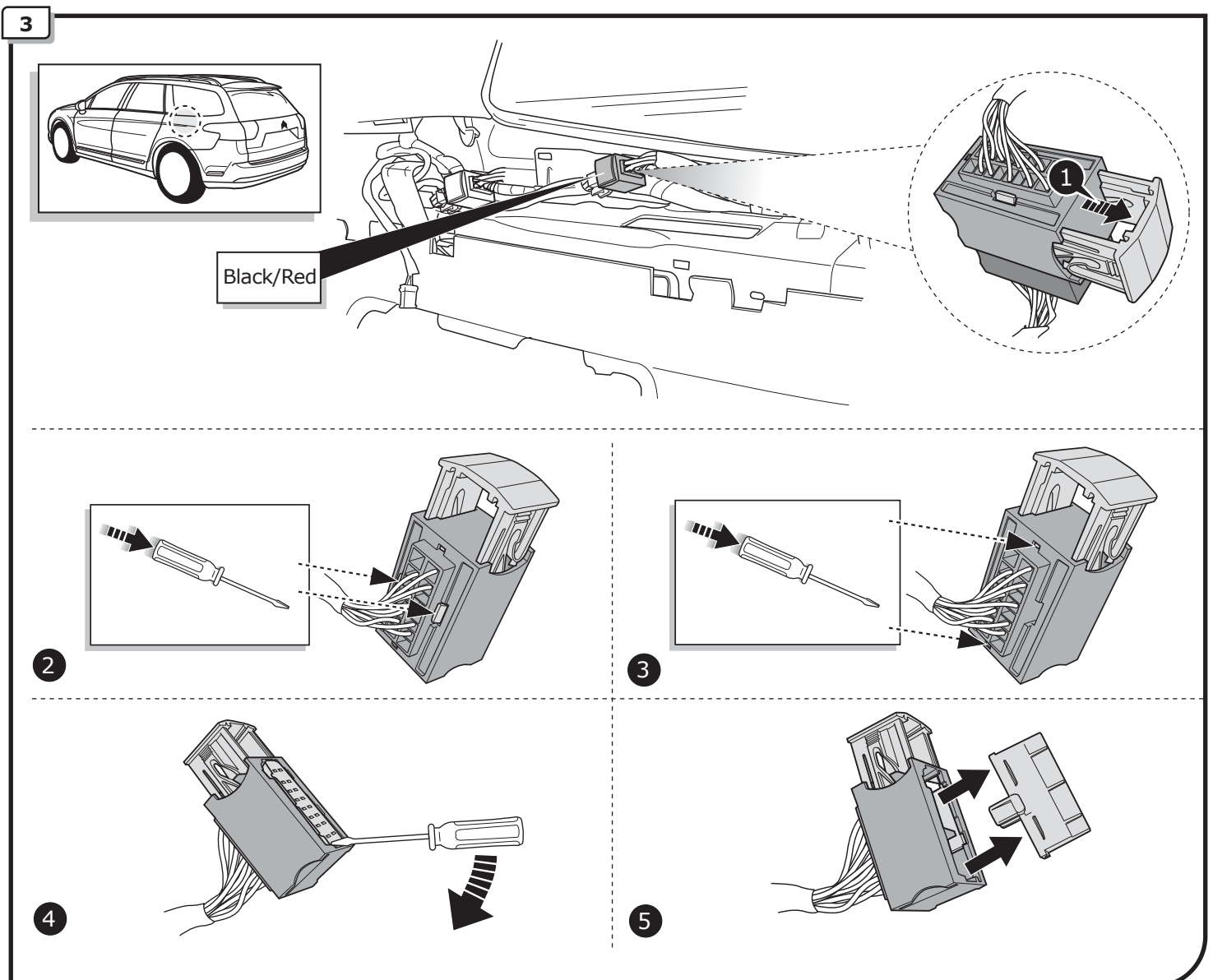
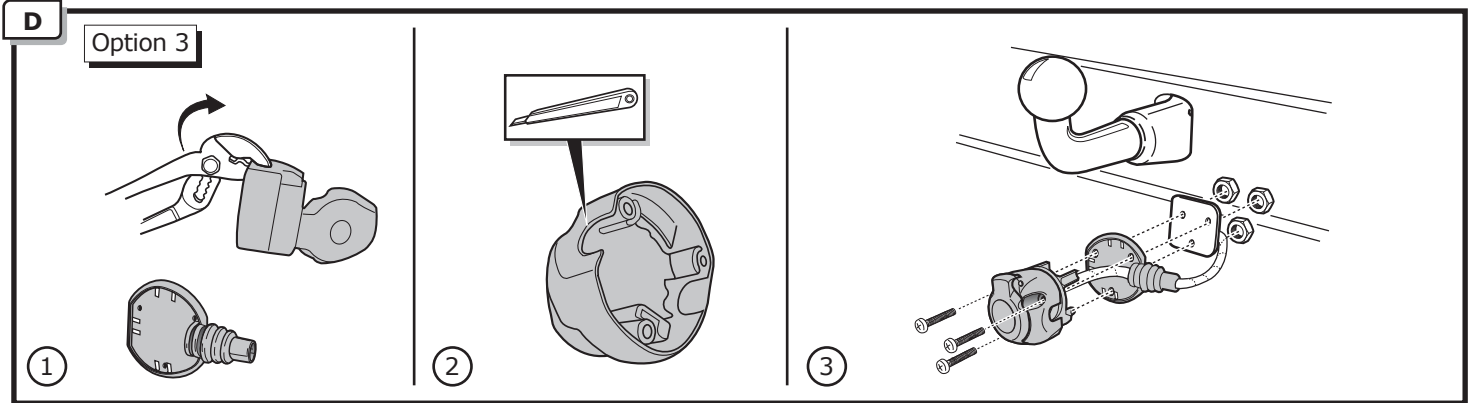
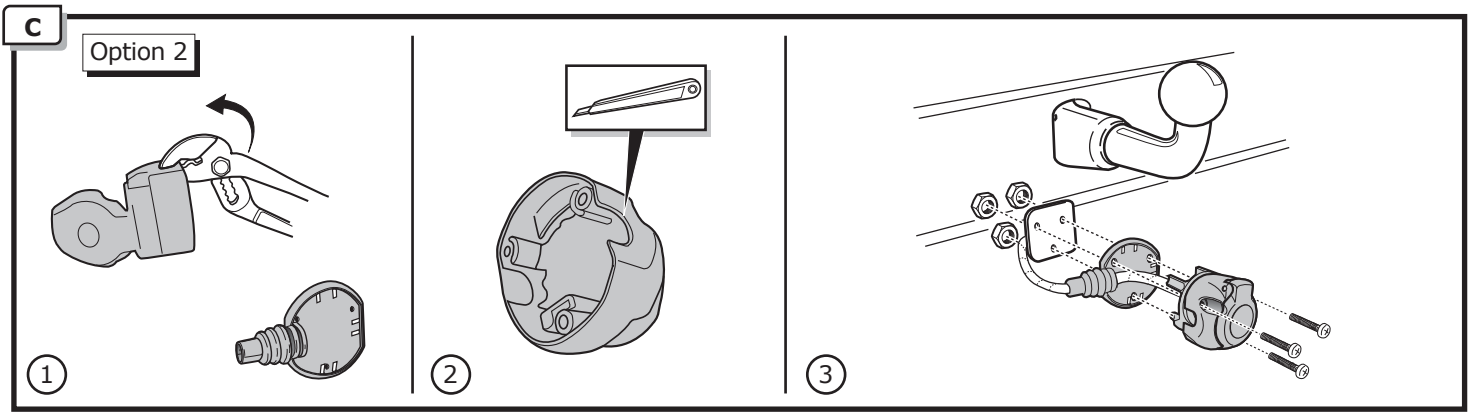


Pag. 11

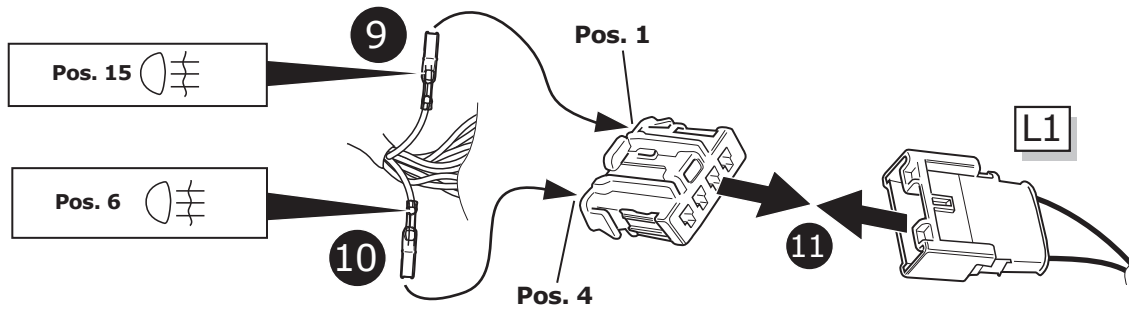
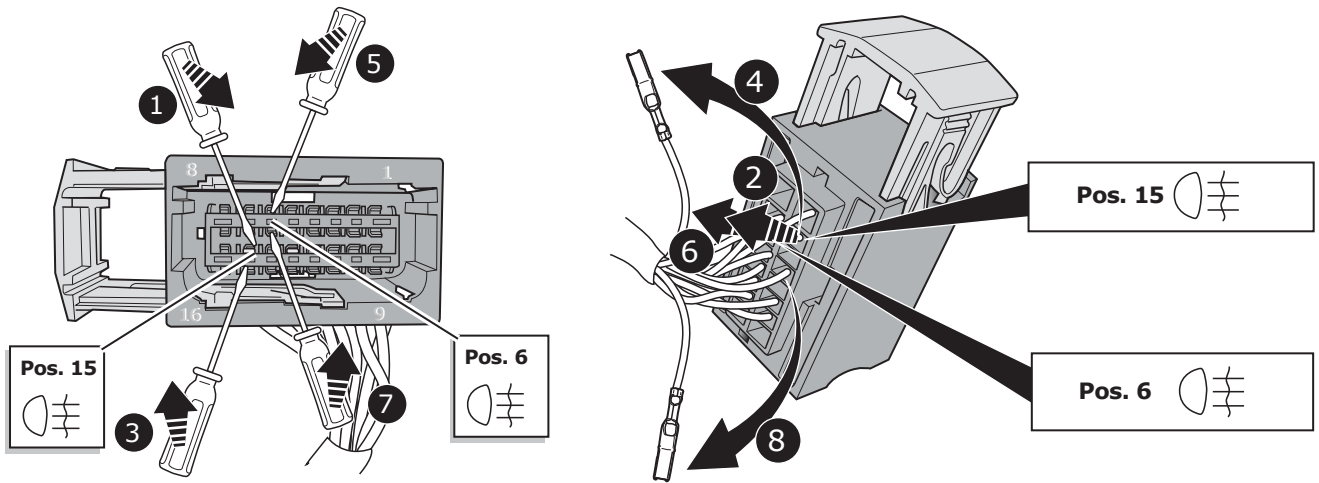
B

Option 1

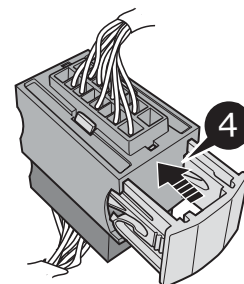
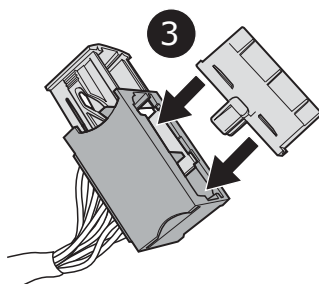
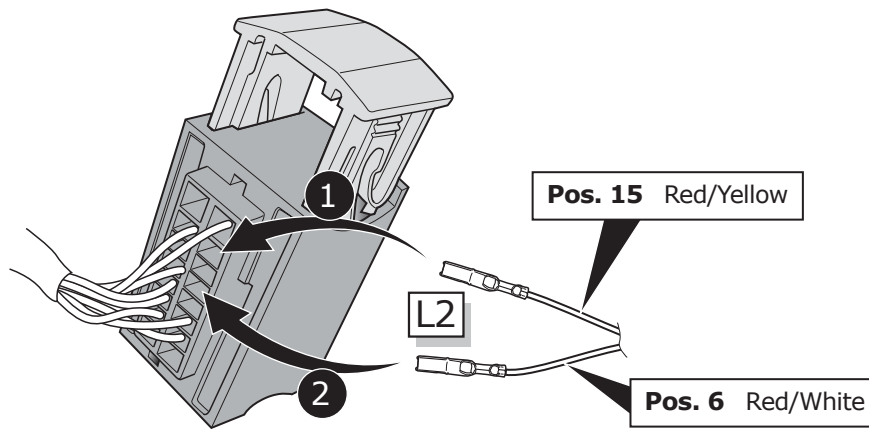




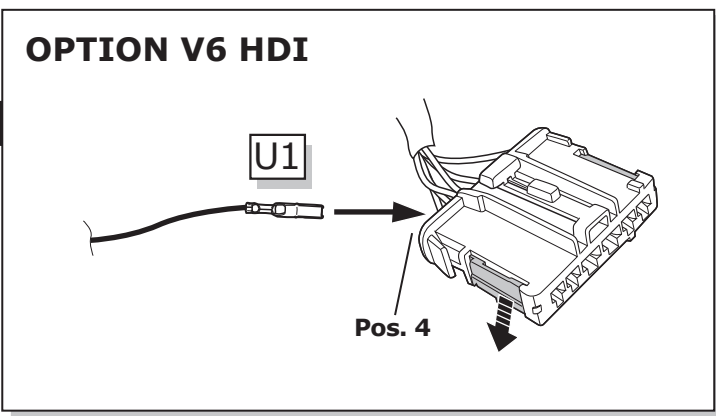
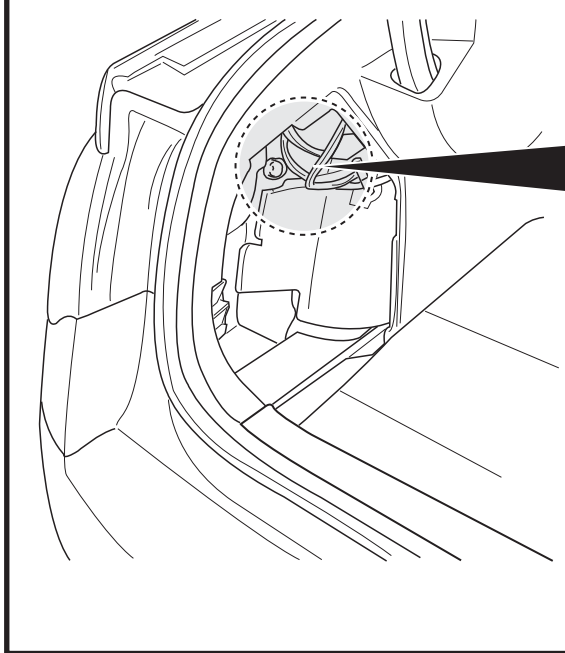
4



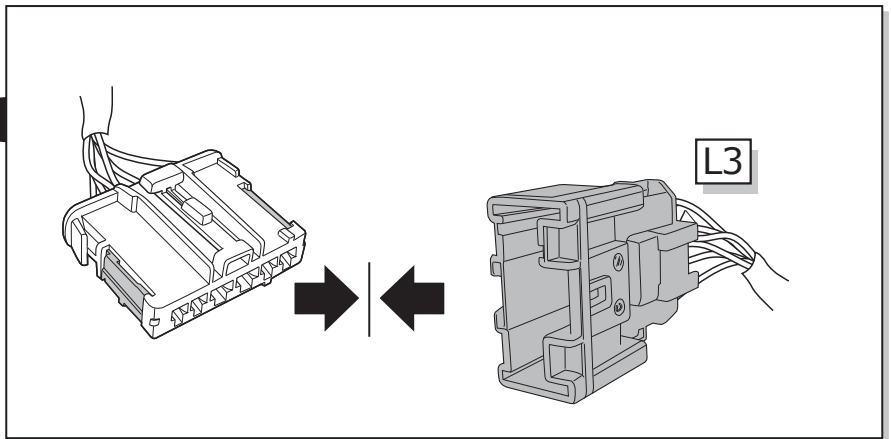
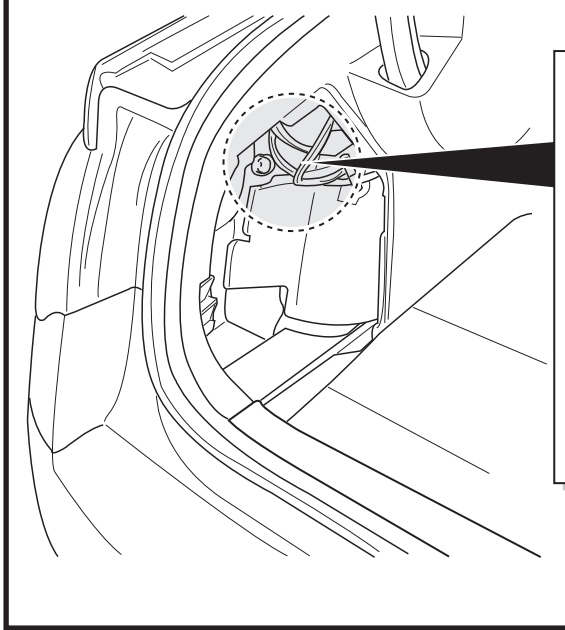
5



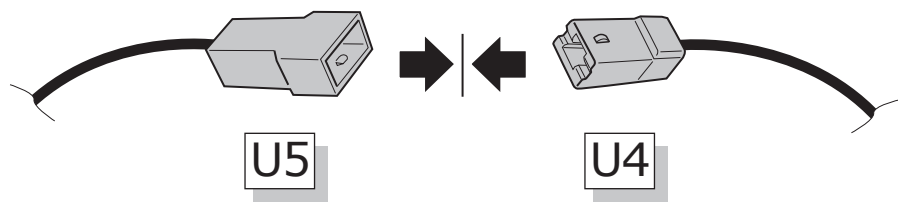
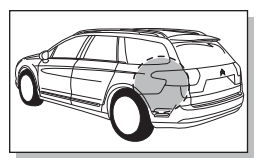
OPTION



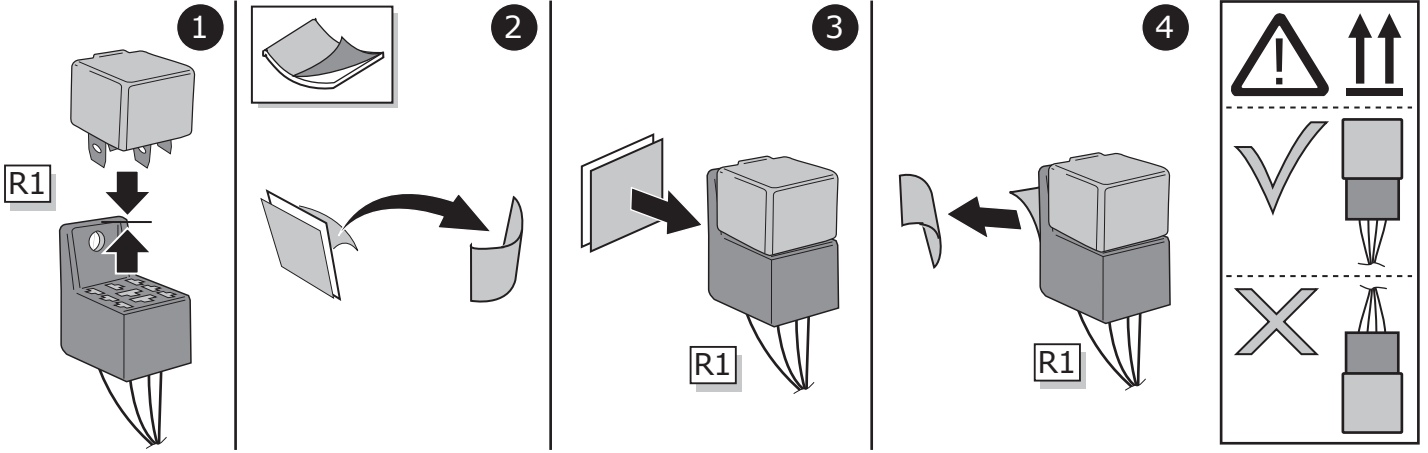
6



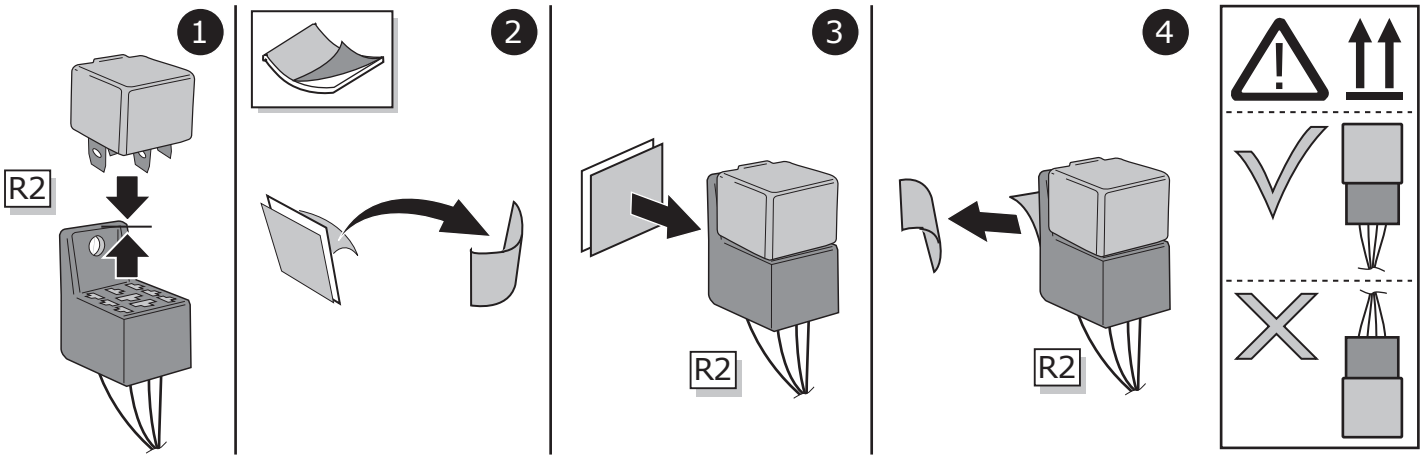
7



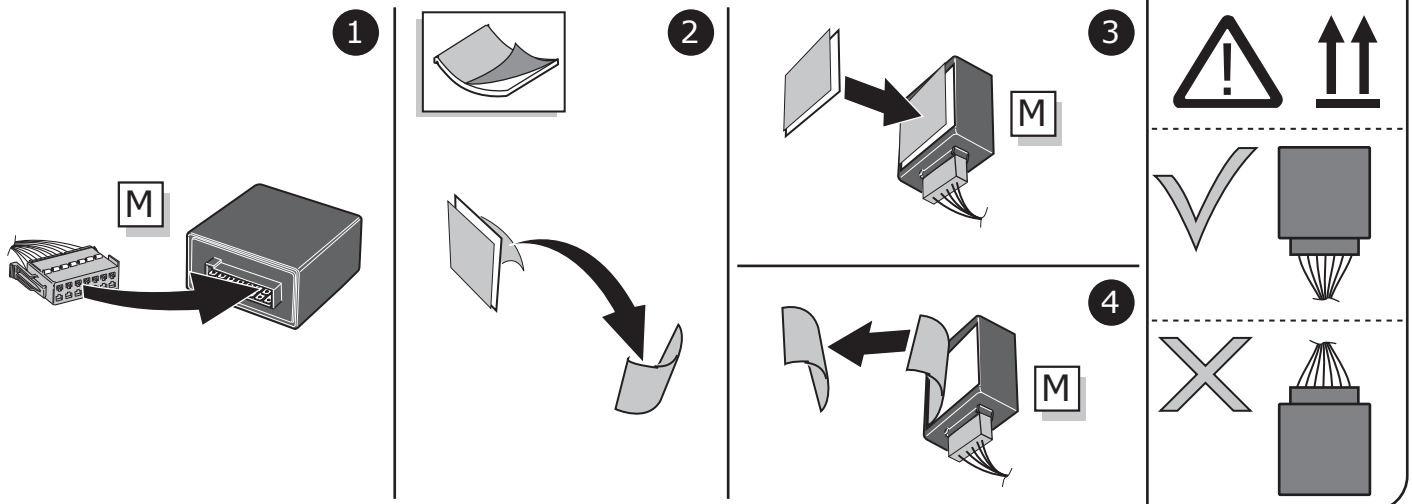
8



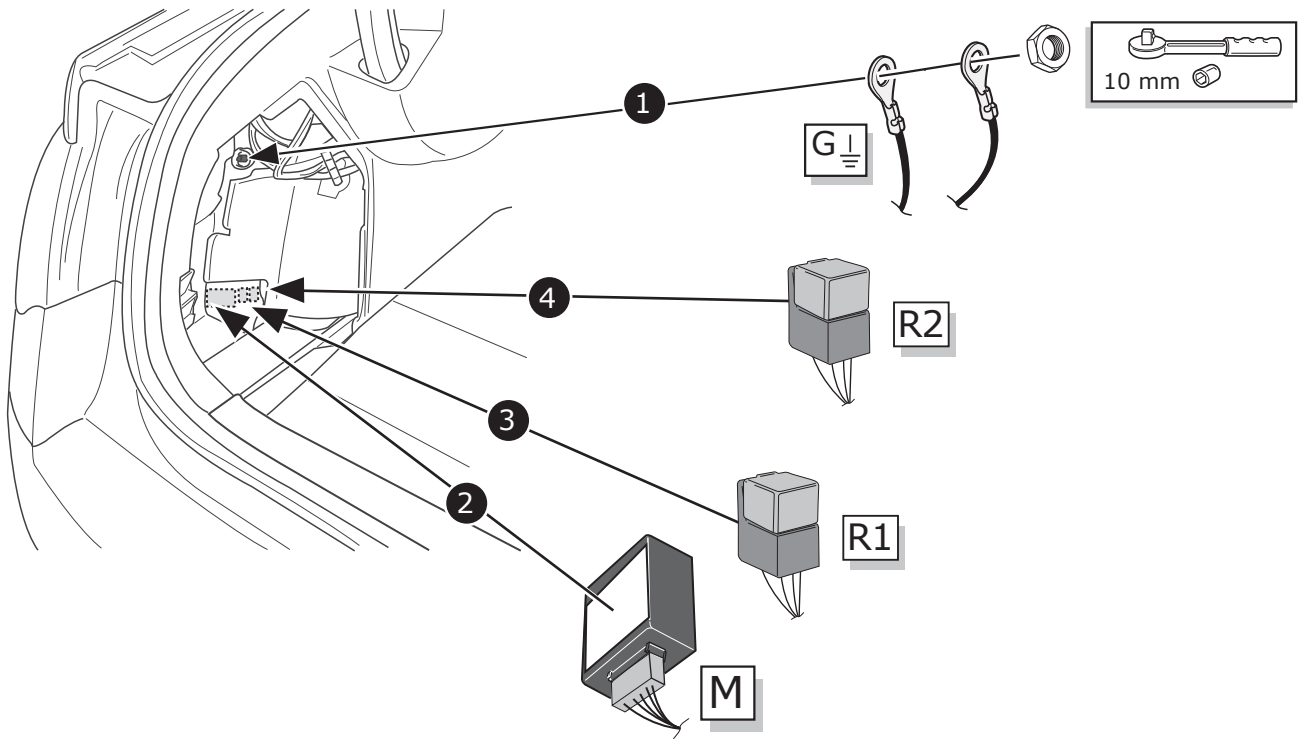
9



10

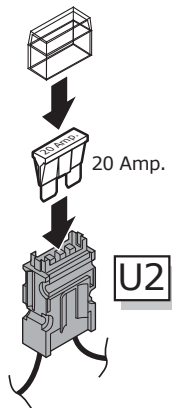


11

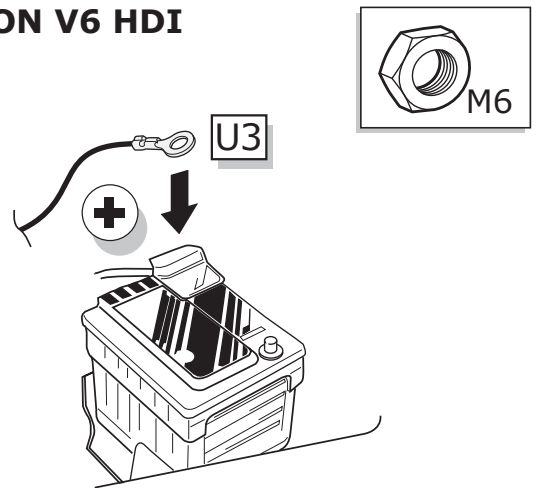


OPTION

OPTION V6 HDI



OPTION V6 HDI



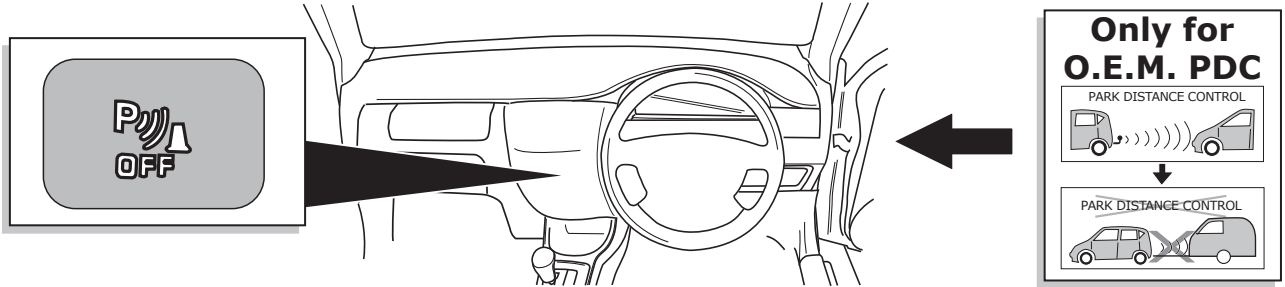
12

TEST ALL THE CIRCUITS WITH A TEST DEVICE WITH THE CORRECT POWER LOAD FOR EACH FUNCTION. A TEST DEVICE WITH LED'S CANNOT BE USED FOR THIS PURPOSE.

INFO

REINSTALL TRIM.

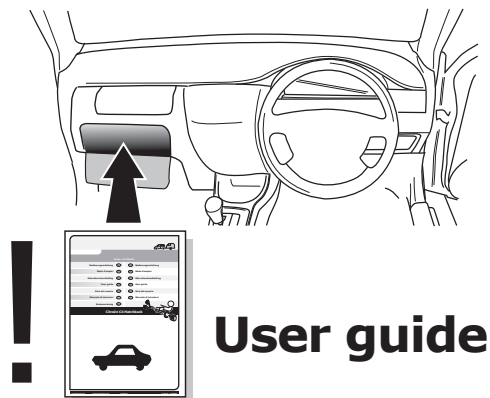
INFO





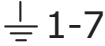




INFO



13

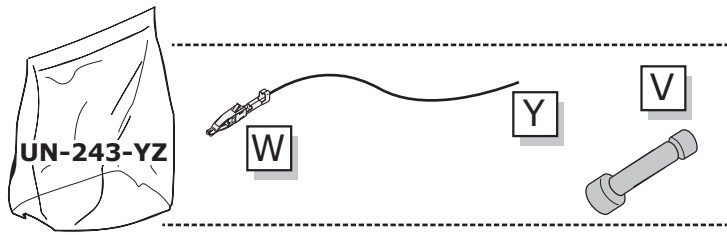


SOCKET CONNECTION

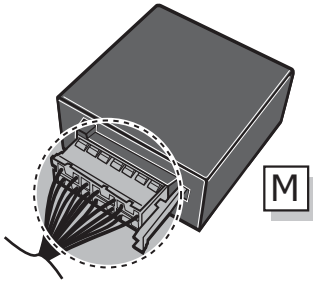
DIN/ISO 1724							
	1/L	2	3/31	4/R	5/58-R	6/54	7/58-L
Pmax	21W	2x21W		21W	52W	3x21W	52W
Colour	Yellow	Blue	White	Green	Brown	Red	Black

UN-243-YZ Reverse lamp pre-wire extension

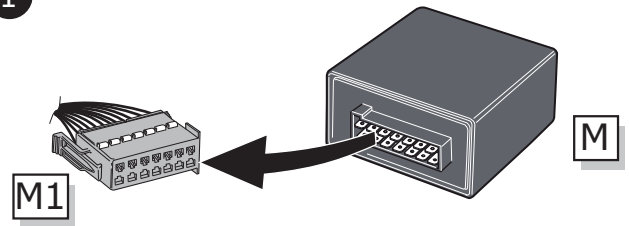
⚠ MAX = 21W



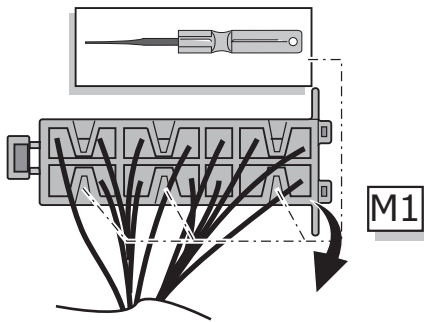
A



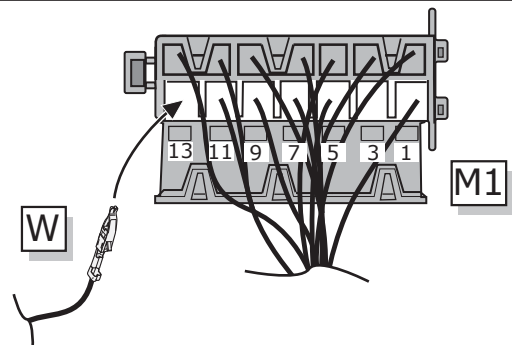
1



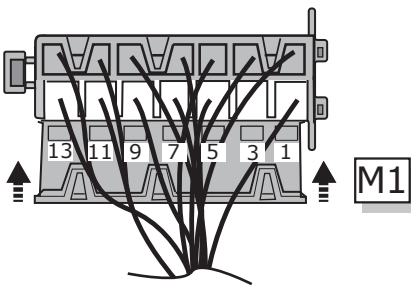
2



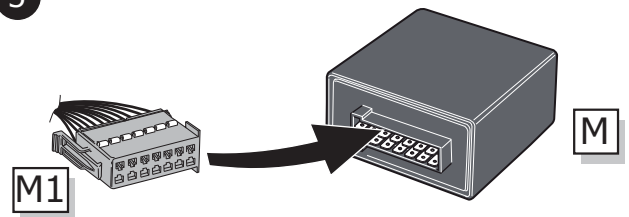
3



4



5



B

⚠ MAX = 21W

