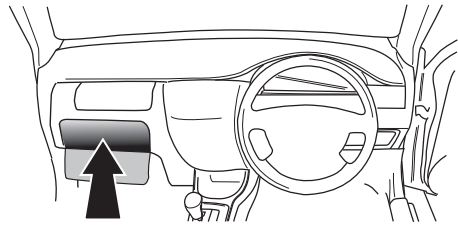
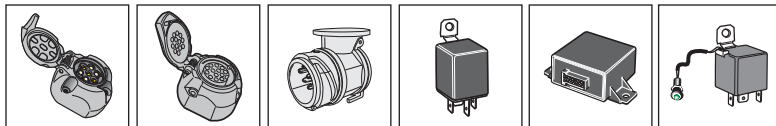


! INFO !

Do not charge the battery of the towing vehicle and/or towed vehicle directly via the socket.



User guide



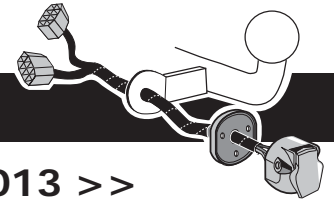
SPARE PARTS

www.ecs-electronicsuk.co.uk

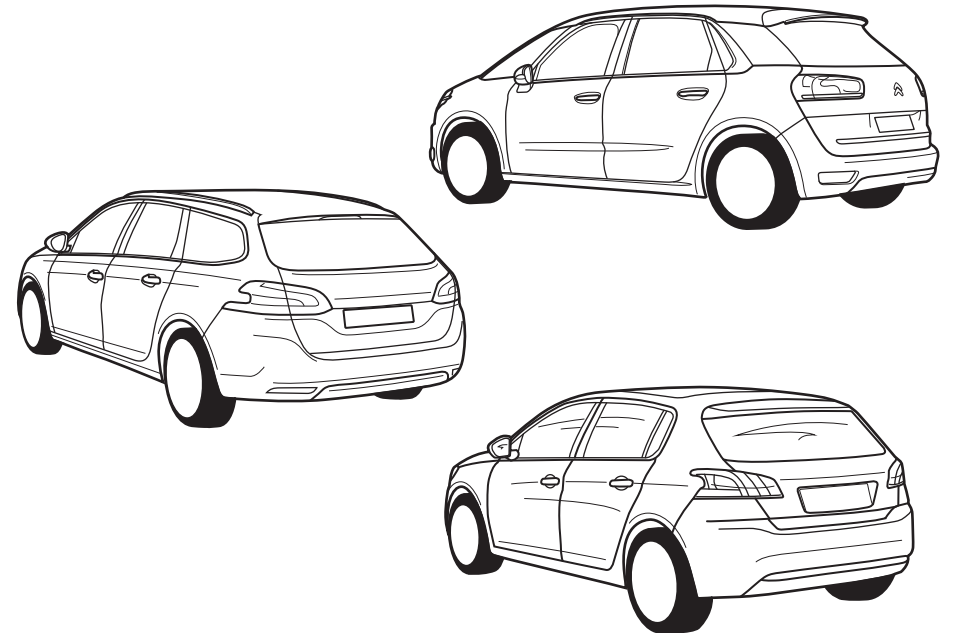


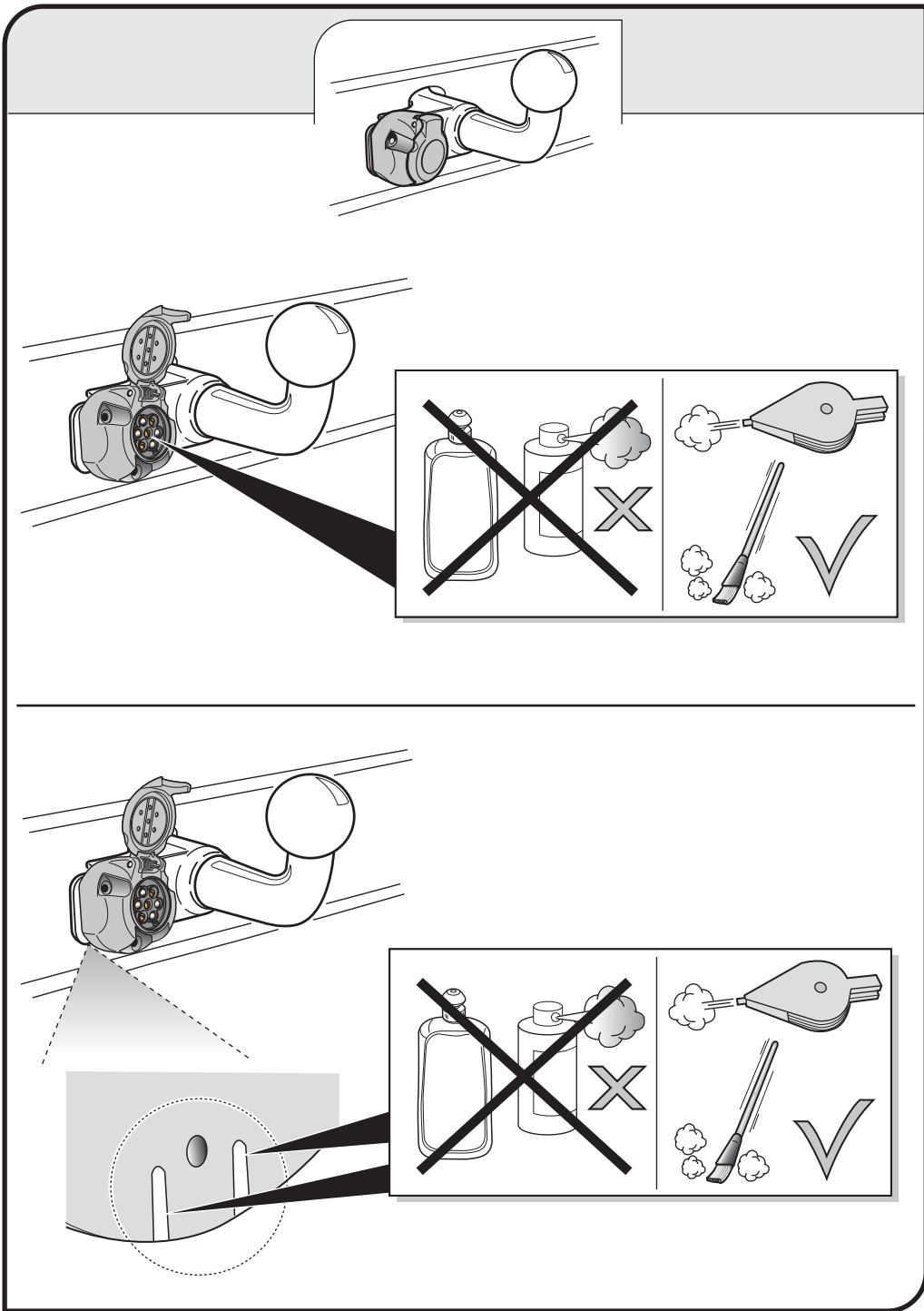
Partnr.: CT-052-B1U

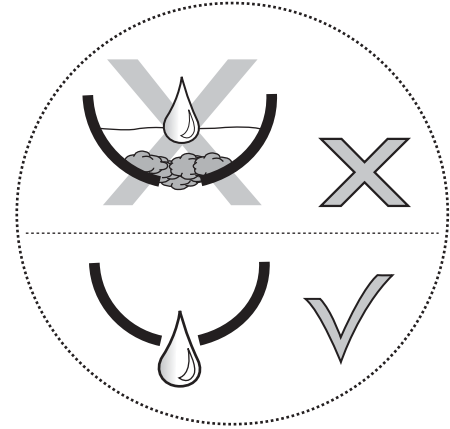
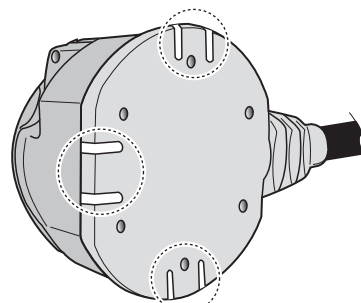
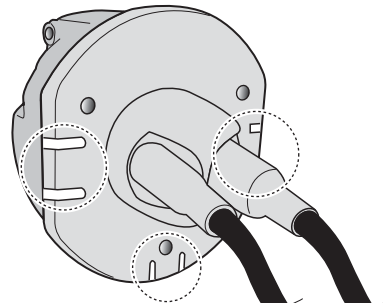
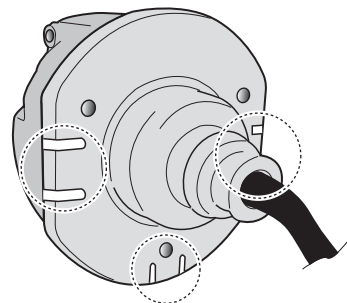
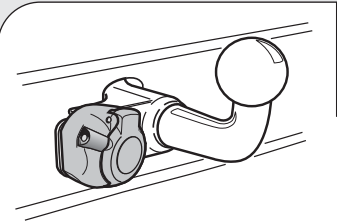
User Guide





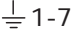




- Citroën C4 Grand Picasso 10/2013 >>**
- Citroën C4 Picasso 06/2013 >>**
- Citroën C4 Spacetourer 06/2018 >>**
- Citroën Grand C4 Spacetourer 06/2018 >>**
- Peugeot 308 HB 10/2013 >>**
- Peugeot 308 SW 06/2014 >>**





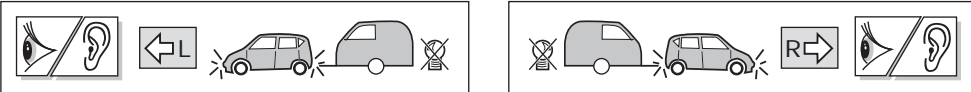


SOCKET CONNECTION

DIN/ISO 1724							
	1/L	2	3/31	4/R	5/58-R	6/54	7/58-L
Pmax	21W	21W		21W	52W	3x21W	52W
Colour	Yellow	Blue	White	Green	Brown	Red	Black



In a coupled trailer with working fog lamp, the fog lamp of the vehicle will be switched off, if applicable.



The flashing lights on the trailer are monitored. If one of the indicators of the trailer breaks down, a buzzer will be audible and/or a visual signal will be visible on the dashboard. Check the flashing lights on the trailer.