

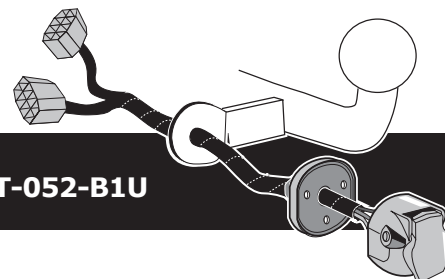
Citroën C4 Picasso 06/2013 >>

Citroën C4 Spacetourer 06/2018 >>

Citroën Grand C4 Spacetourer 06/2018 >>

Peugeot 308 HB 10/2013 >>

Peugeot 308 SW 06/2014 >>

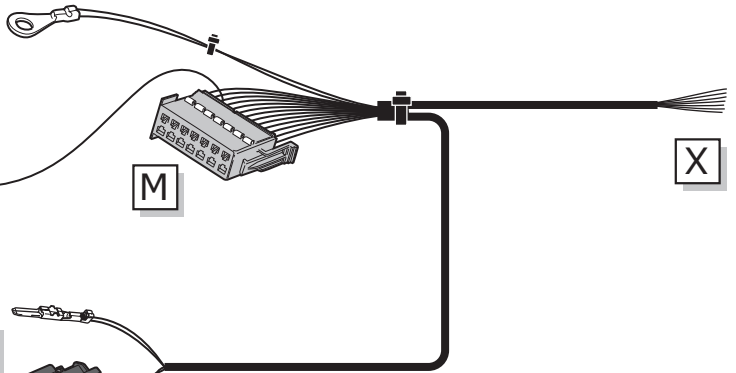
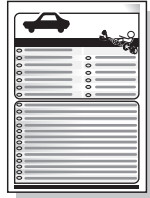
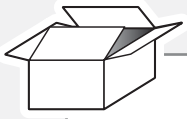


Partnr.: CT-052-B1U

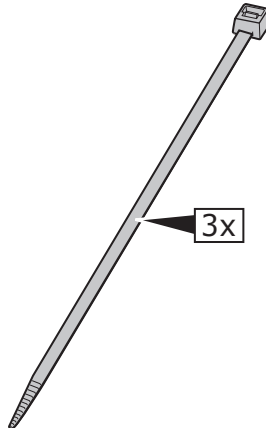
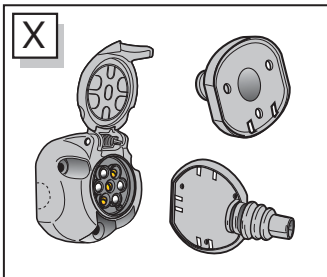
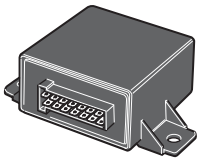
- Fitting instructions electric wiring kit tow bar with 12-N socket up to DIN/ISO Norm 1724.
- We would expressly point out that assembly not carried out properly by a competent installer will result in cancellation of any right to damage compensation, in particular those arising by virtue of the product liability act.
- Contents of these kits and their fitting manuals are subject to alteration without notice, please ensure that these instructions are read and fully understood before commencing installation.
- Do not overload circuits; the maximum loads per connection are detailed in this manual.
- Attention! Before Installation, please read this manual carefully and inform your customer to consult the vehicle owners manual to check for any vehicle modifications required before towing.
- In the event of functional problems, troubleshooting must be limited to about 0.5 hours, contact the technical support:
ukts@ecs-electronics.com / 07440 202 052.



Part list



1x



3x

UN-243-YZ

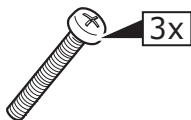
Optional reverse lamp pre-wire extension included



Page 18



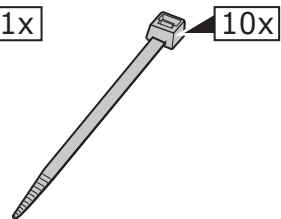
3x



3x

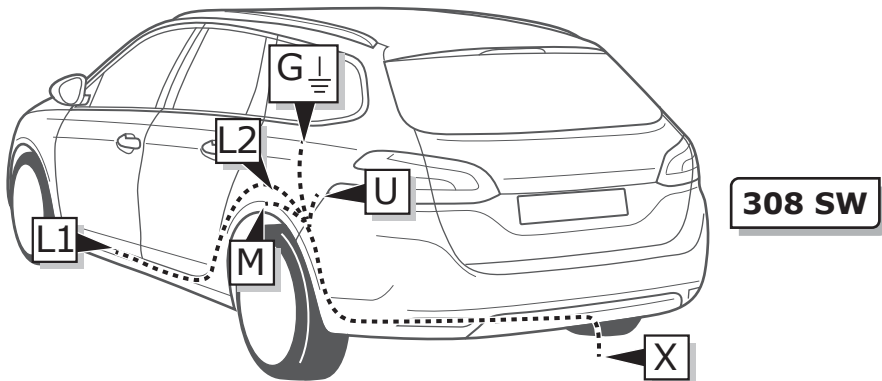
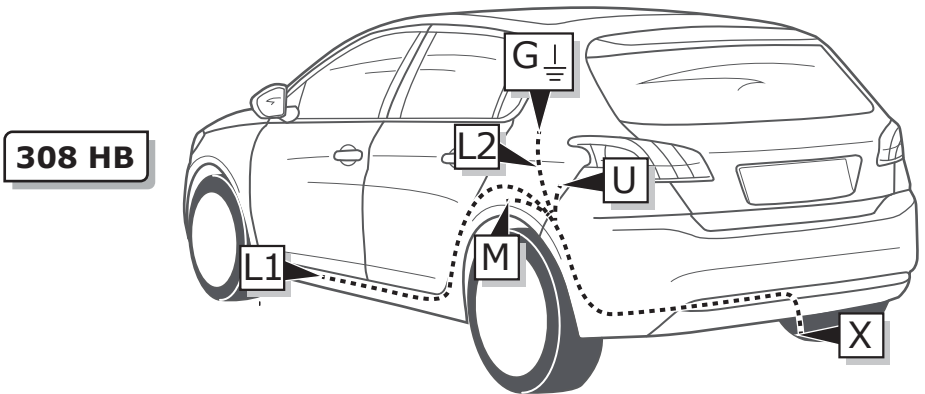
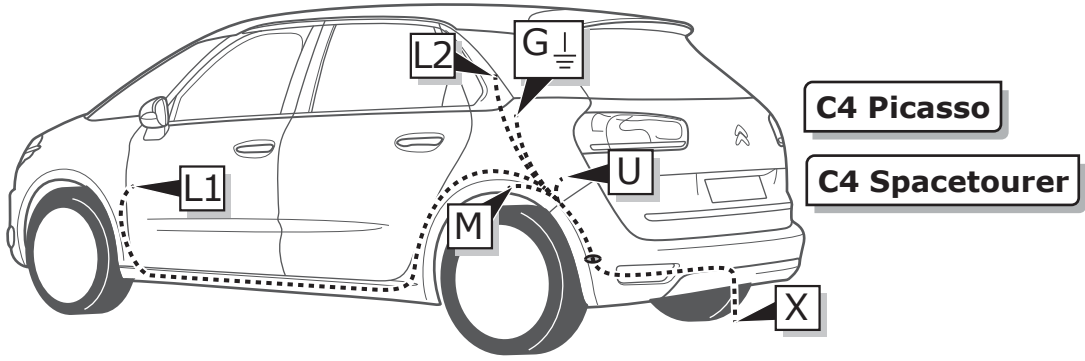


1x

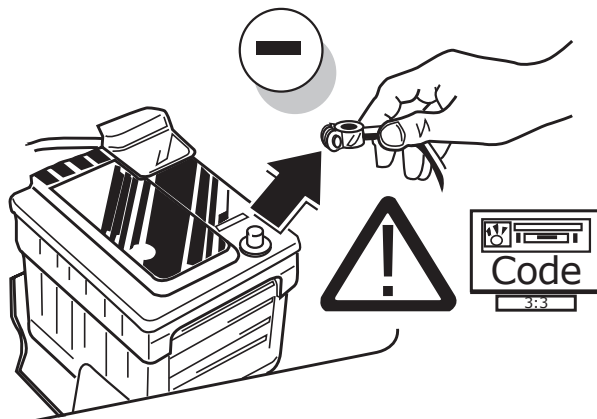


10x

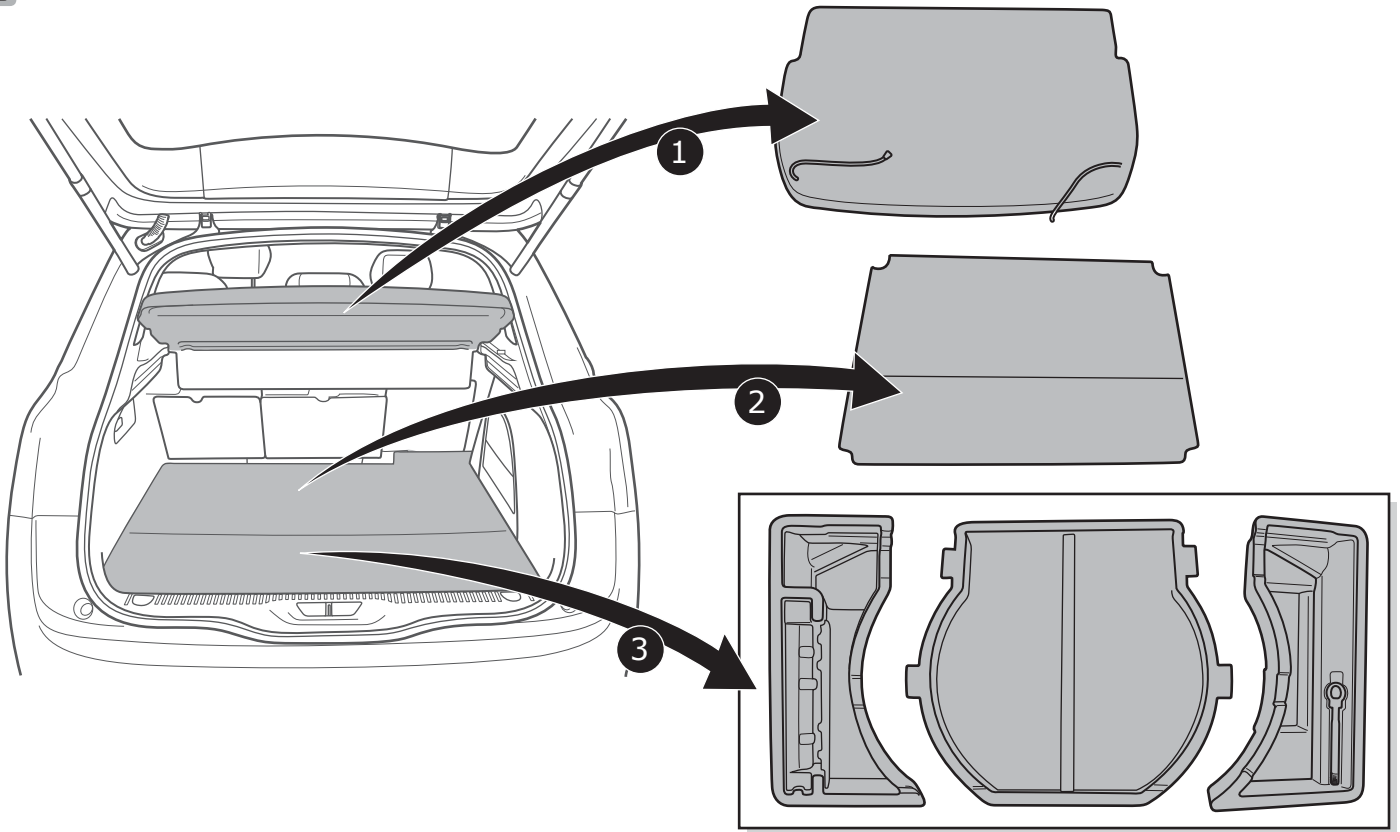
ROUTING



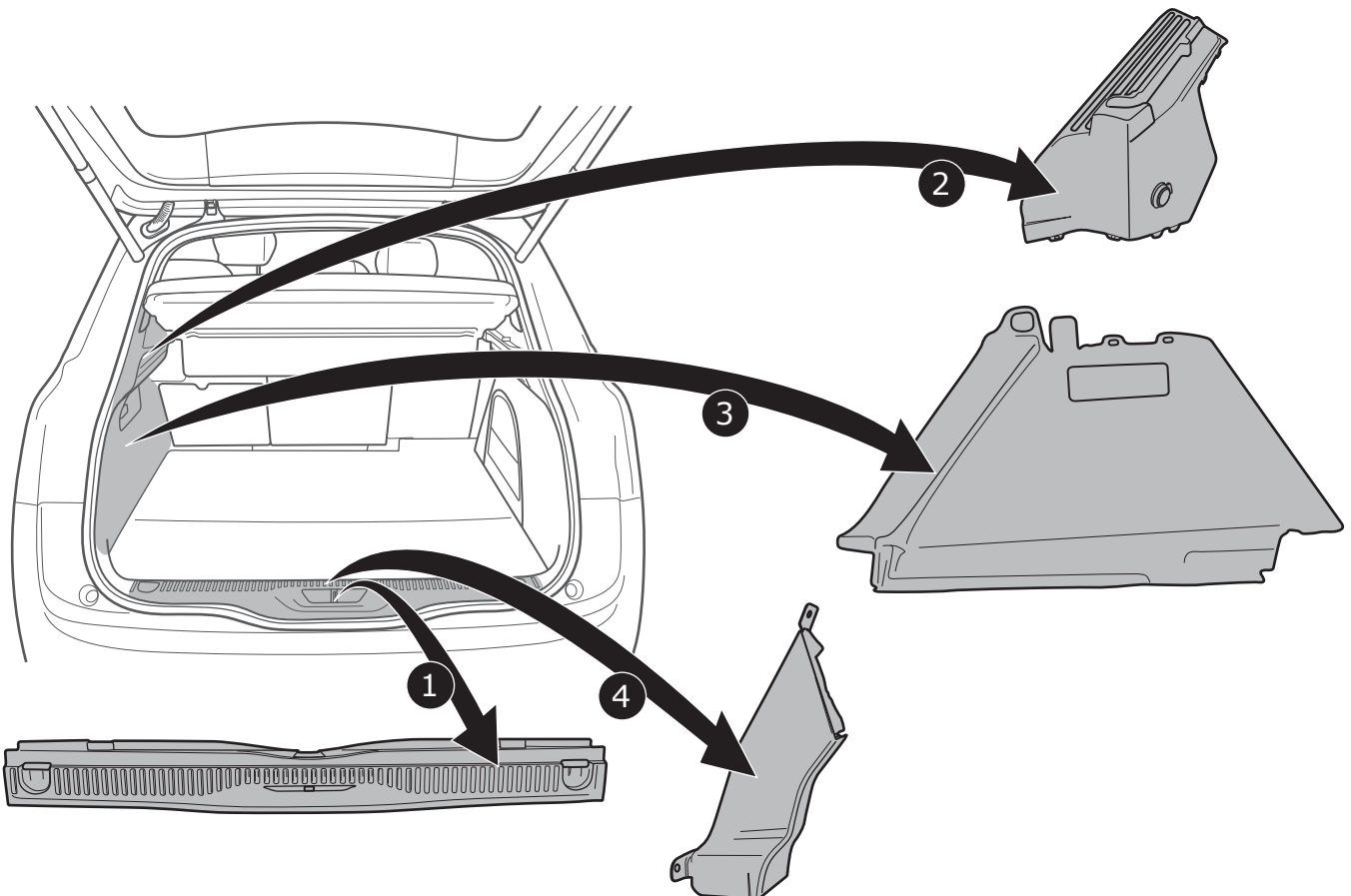
1



2

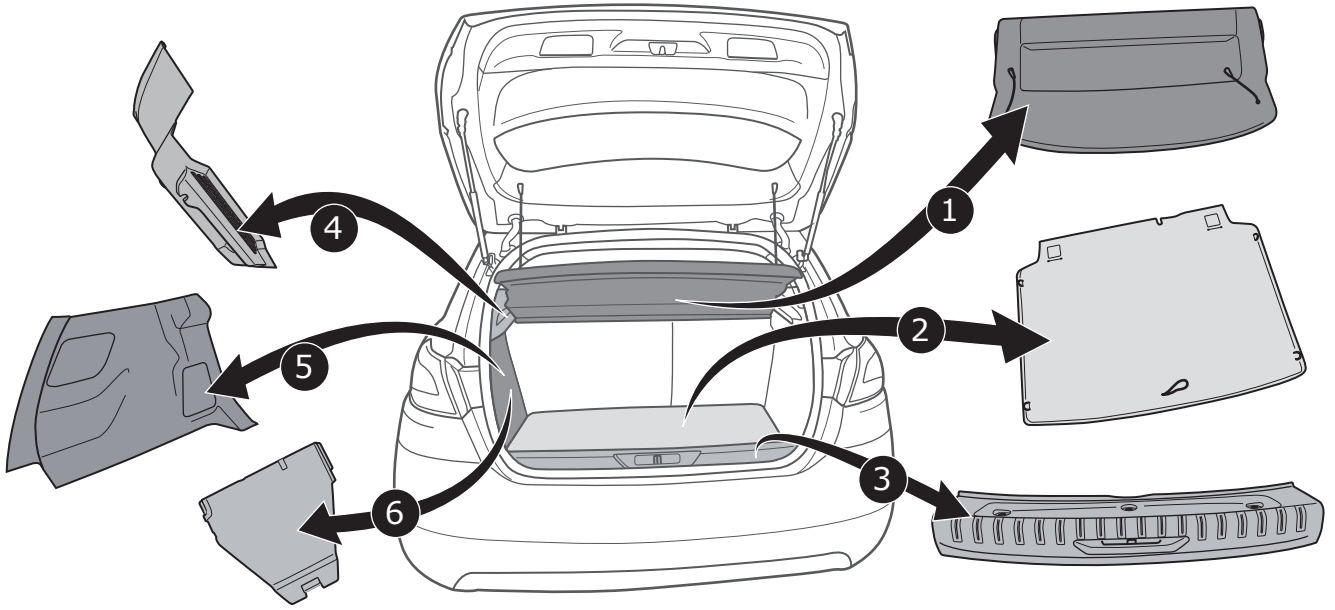


3



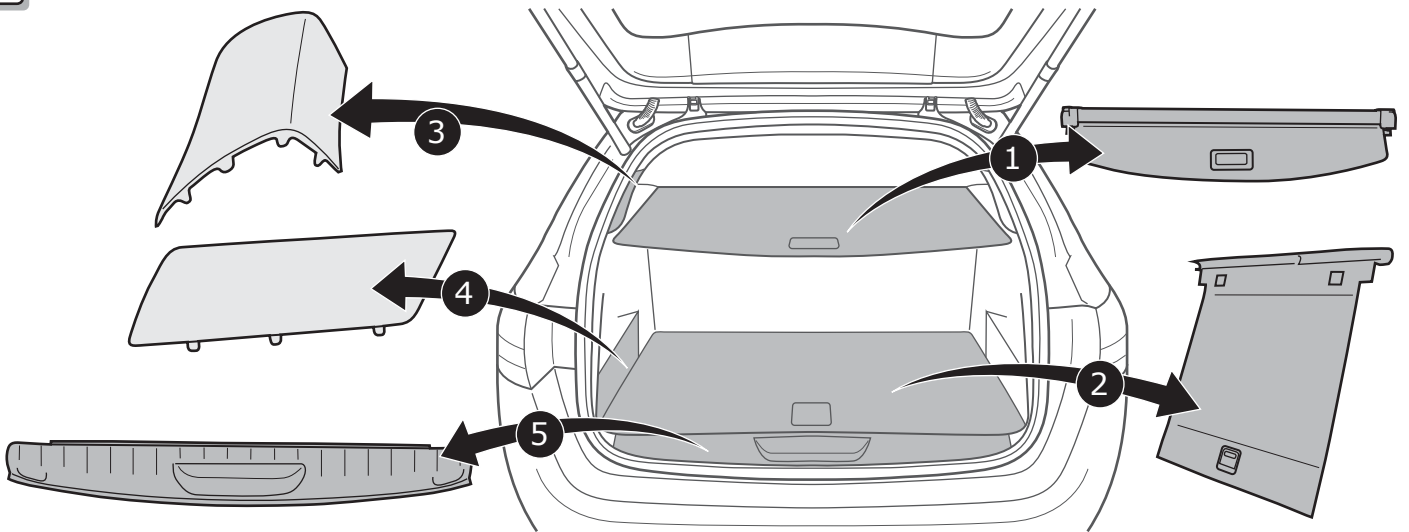
308 HB

4

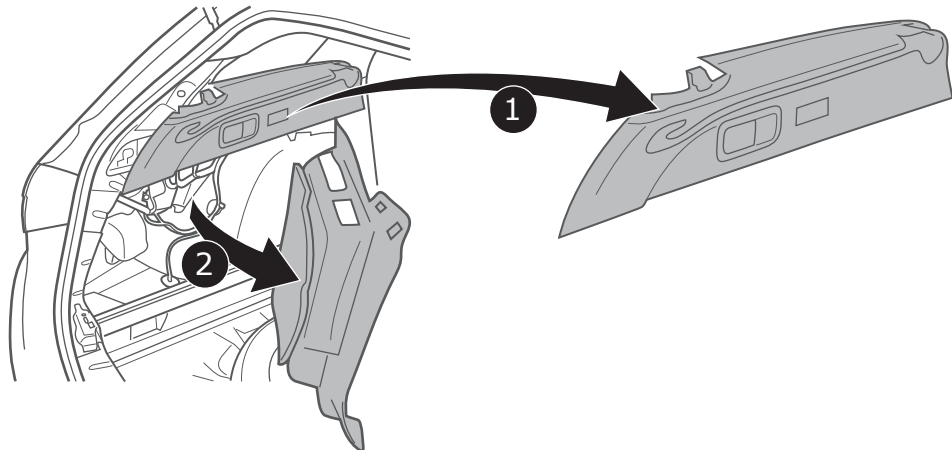


308 SW

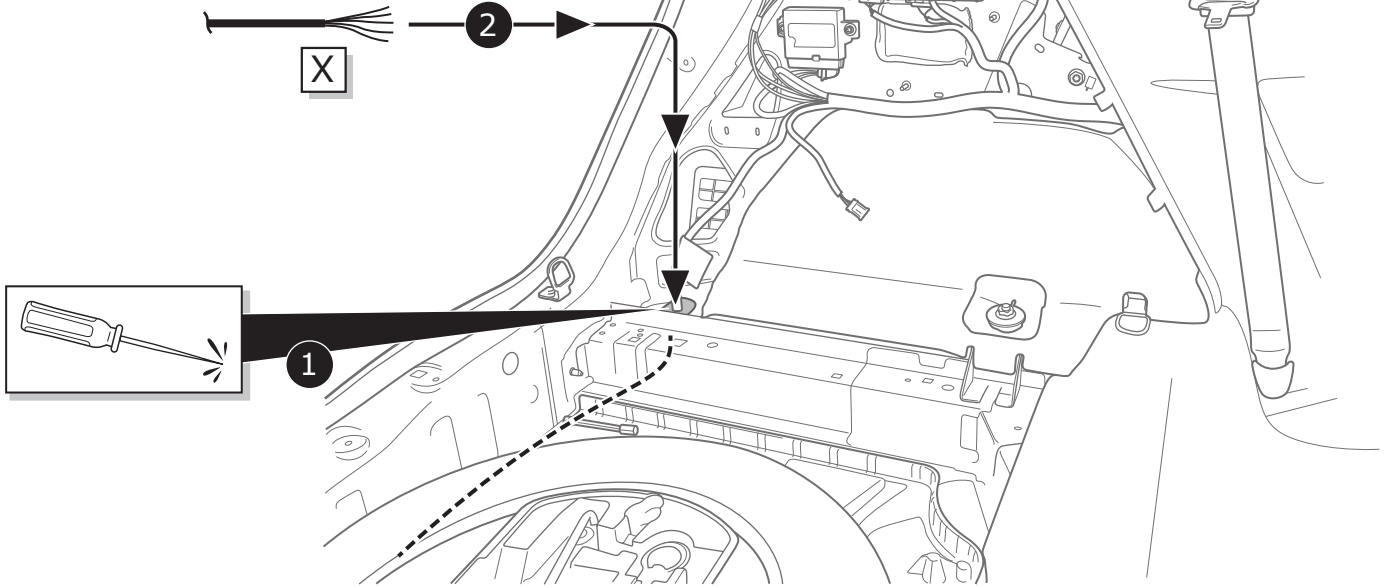
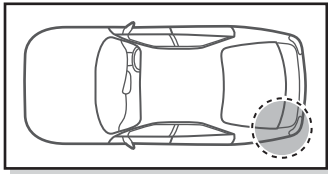
5



6

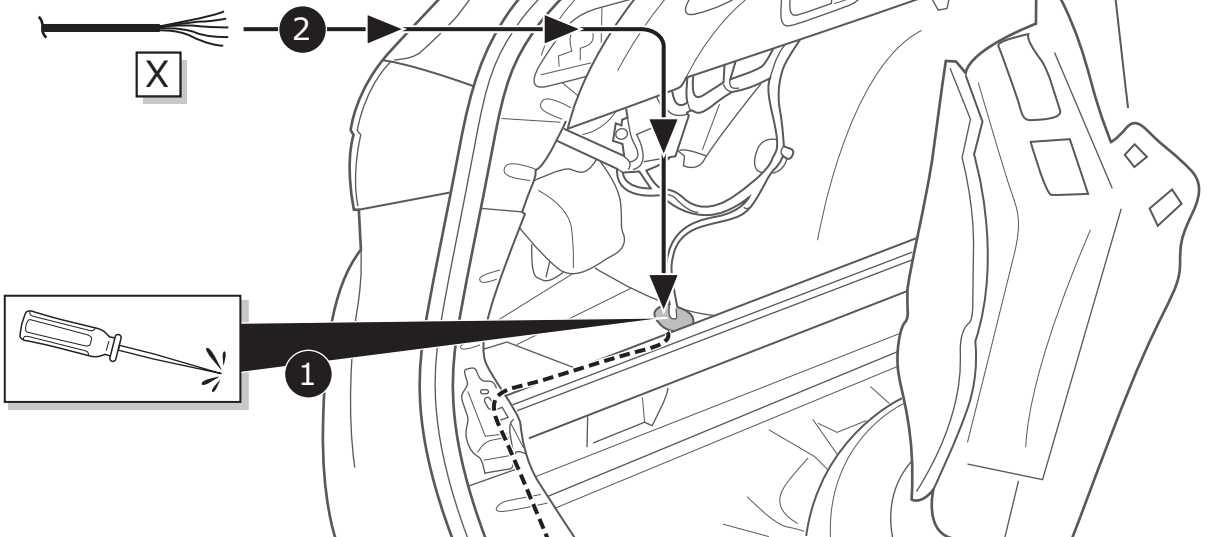
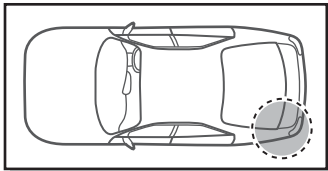


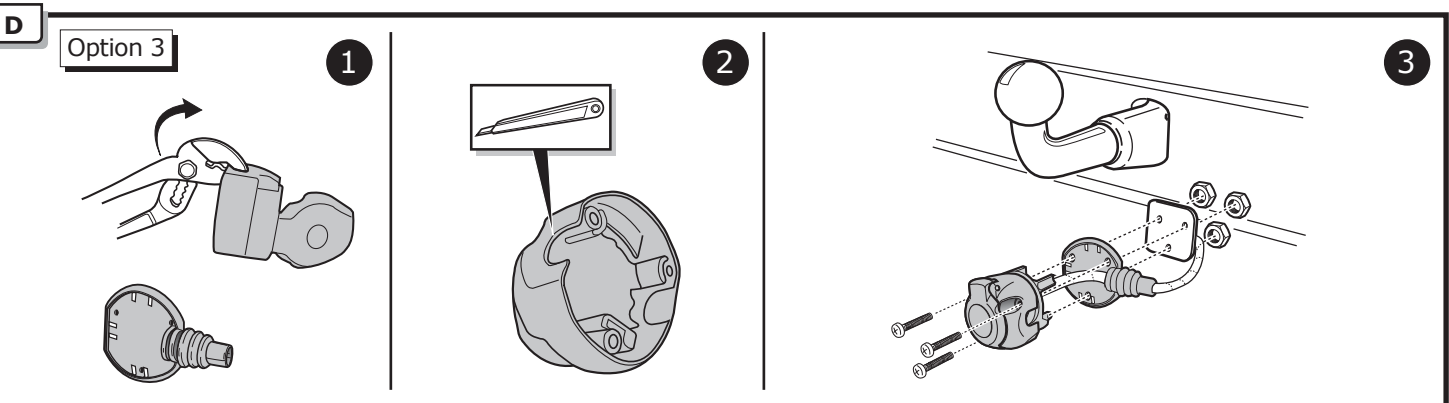
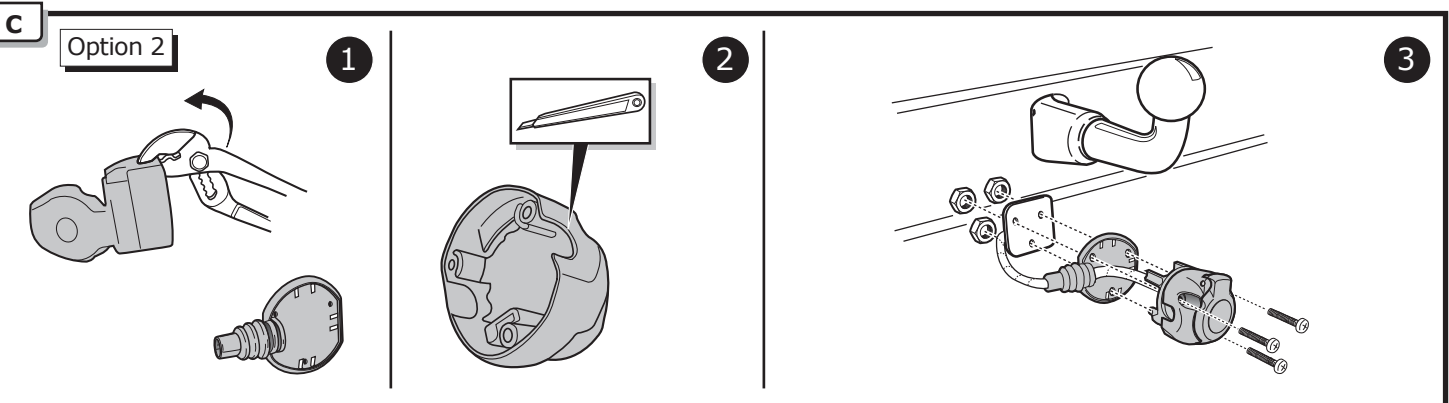
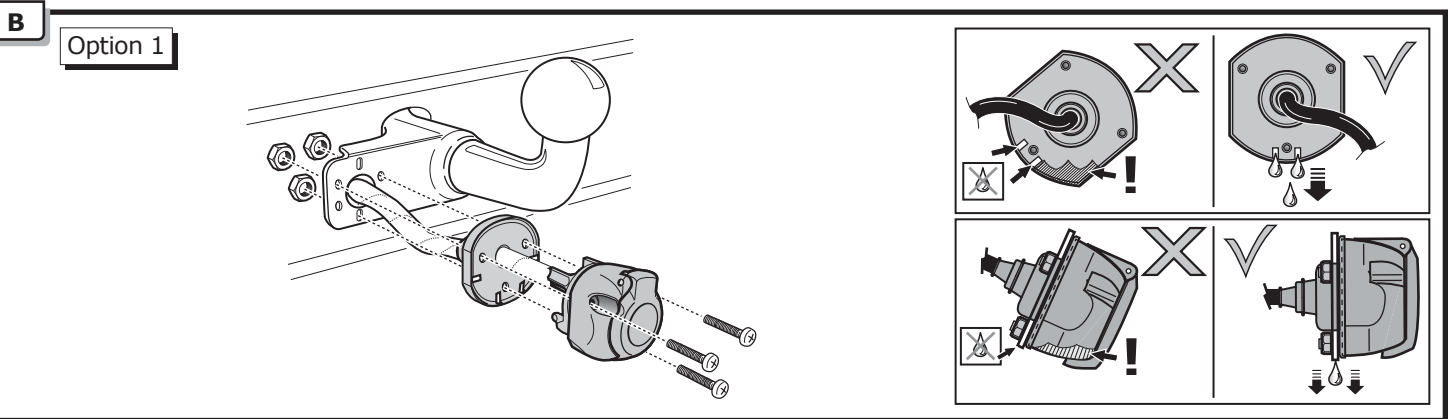
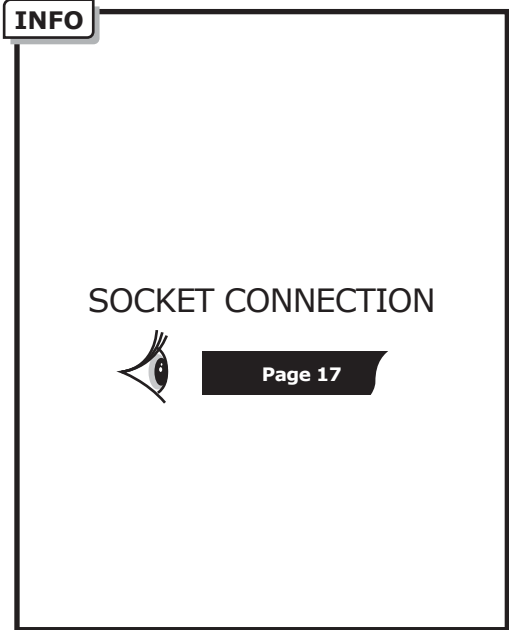
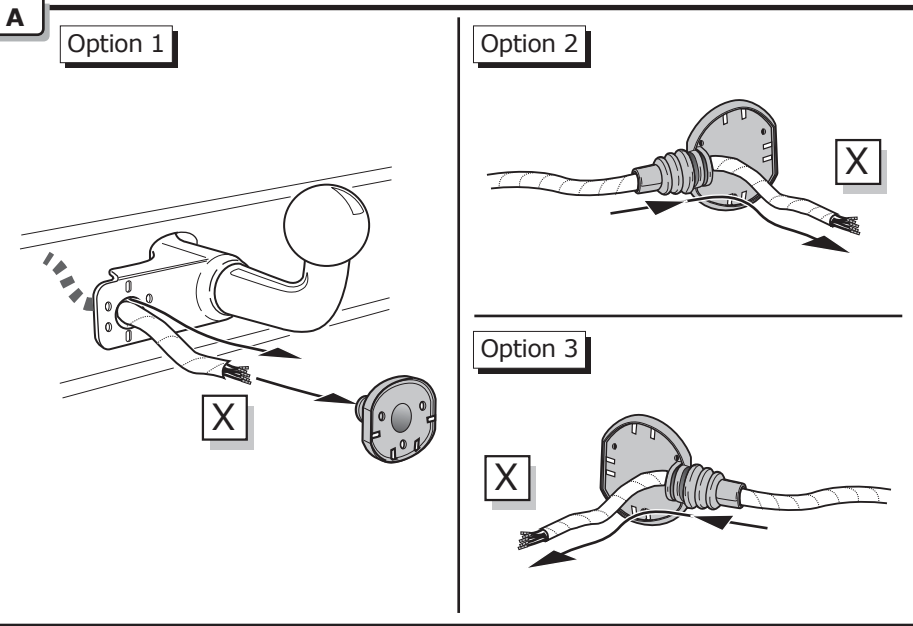
7



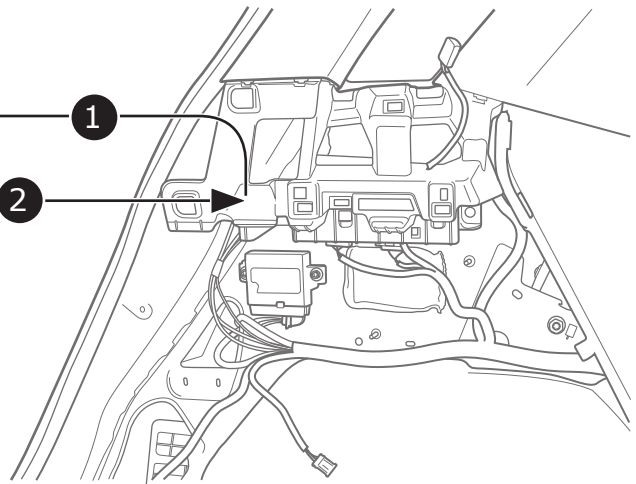
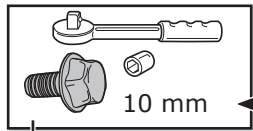
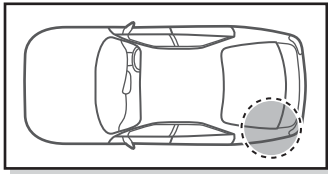
308 SW

8



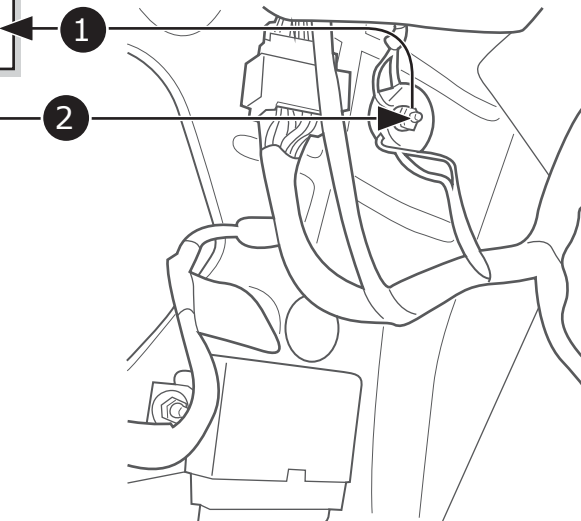
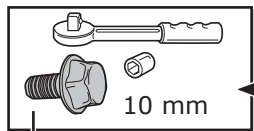
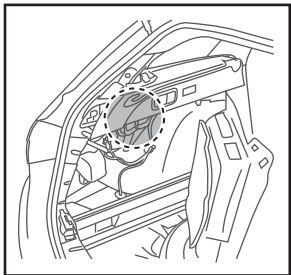


9



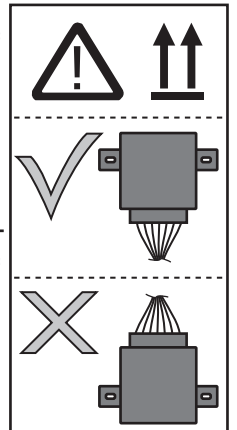
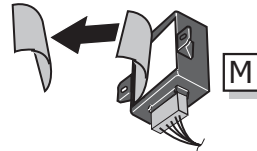
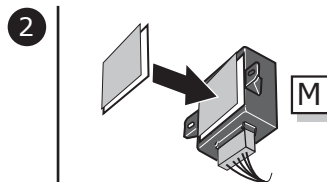
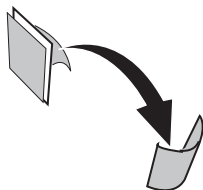
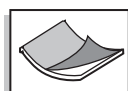
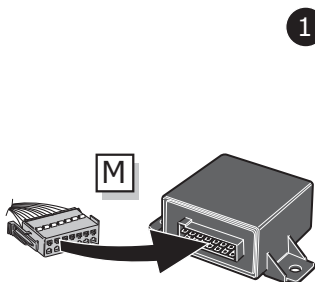
308 SW

10



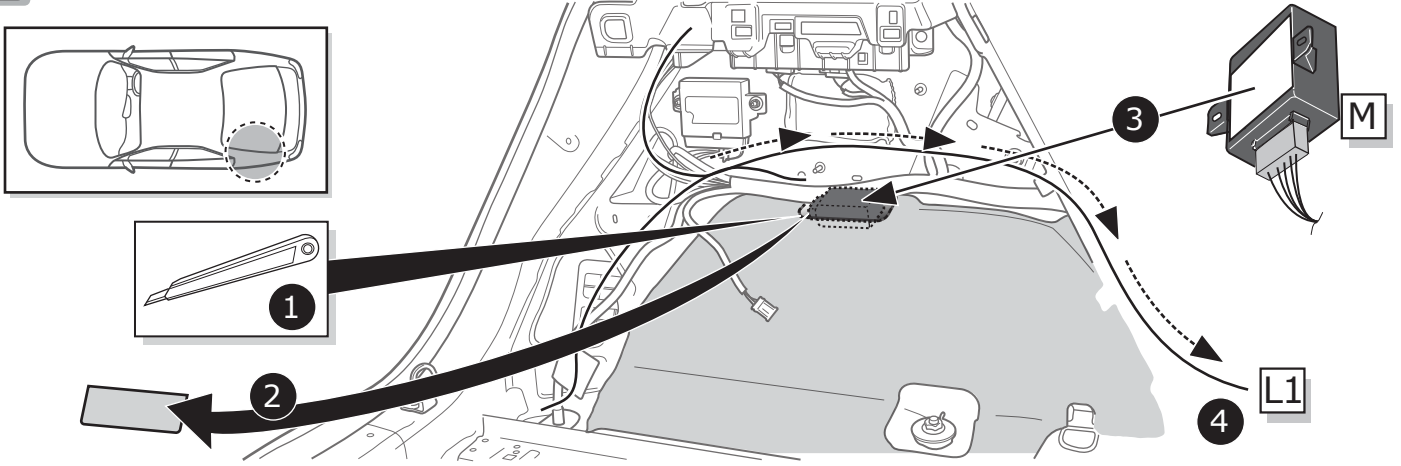
All models

11



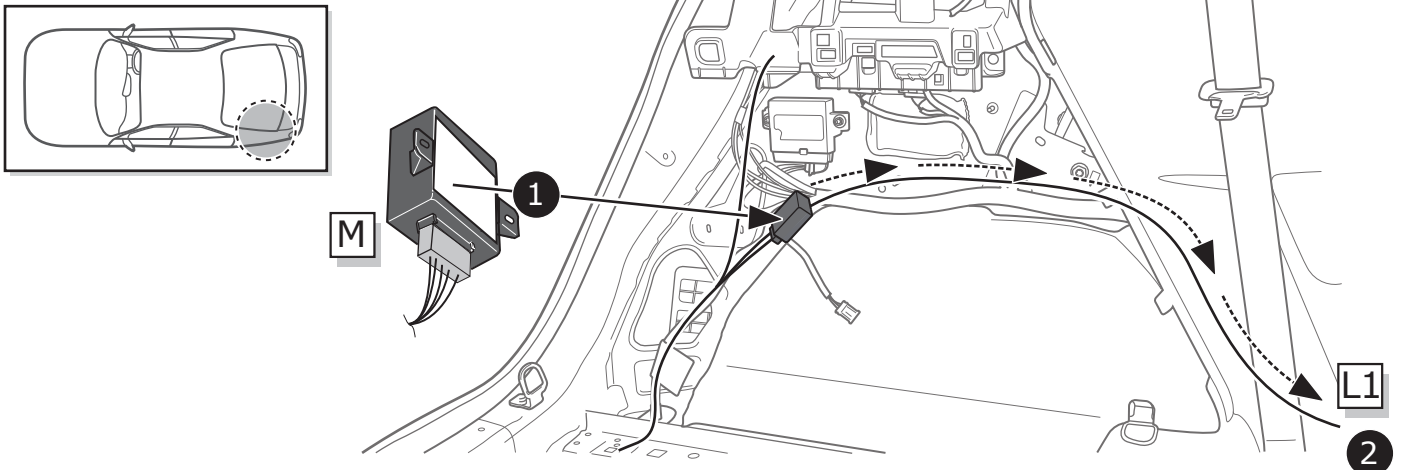
C4 Picasso / C4 Spacetourer

12



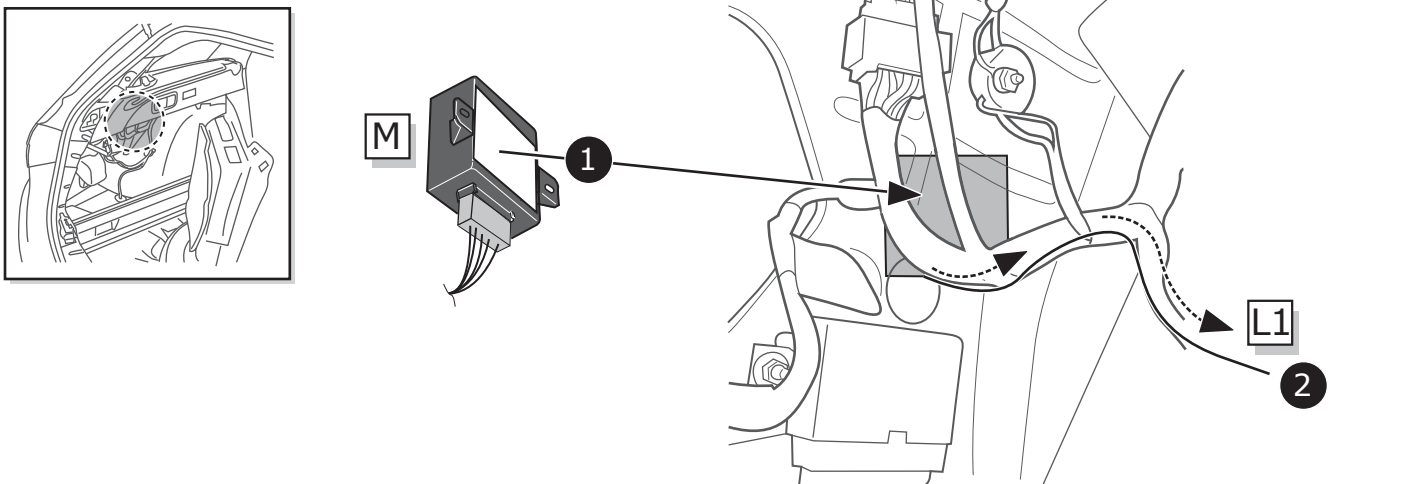
308 HB

13

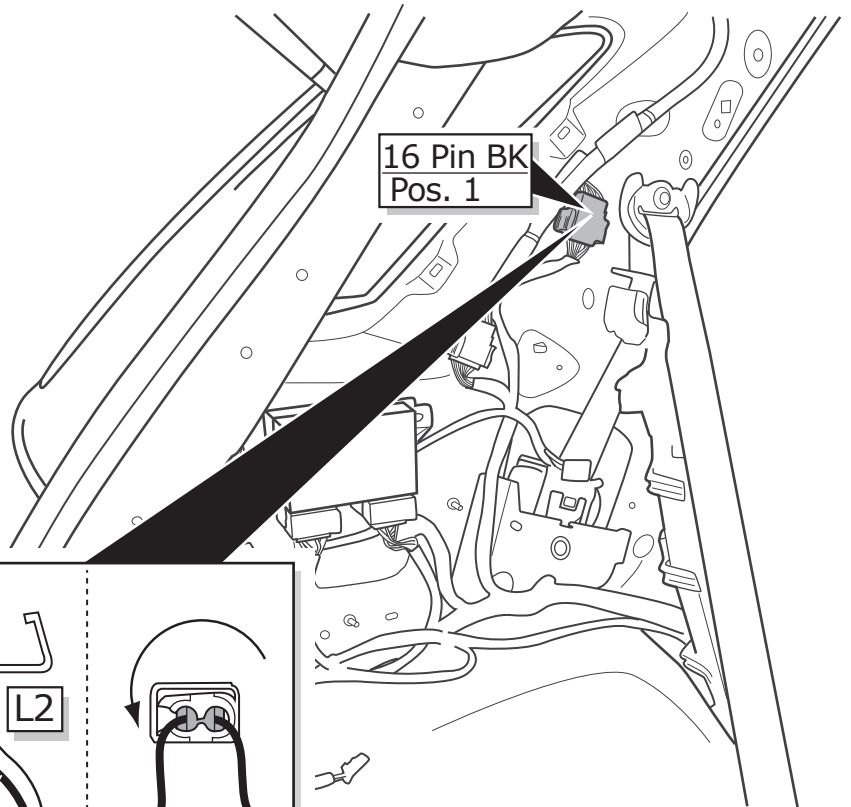
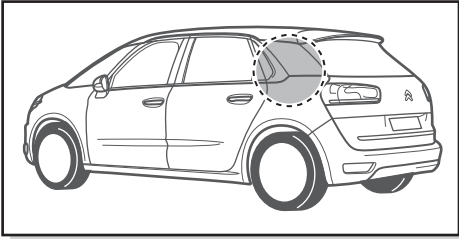


308 SW

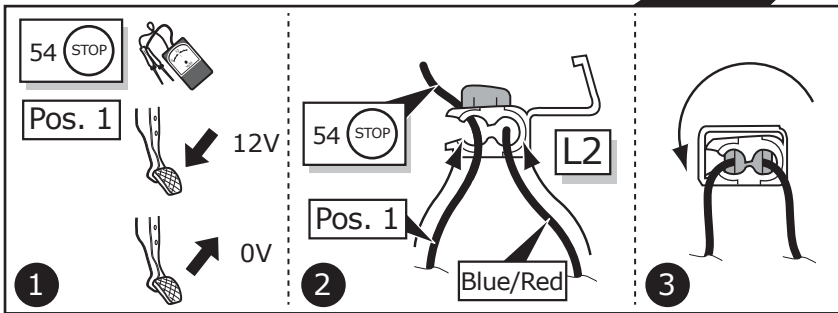
14



15

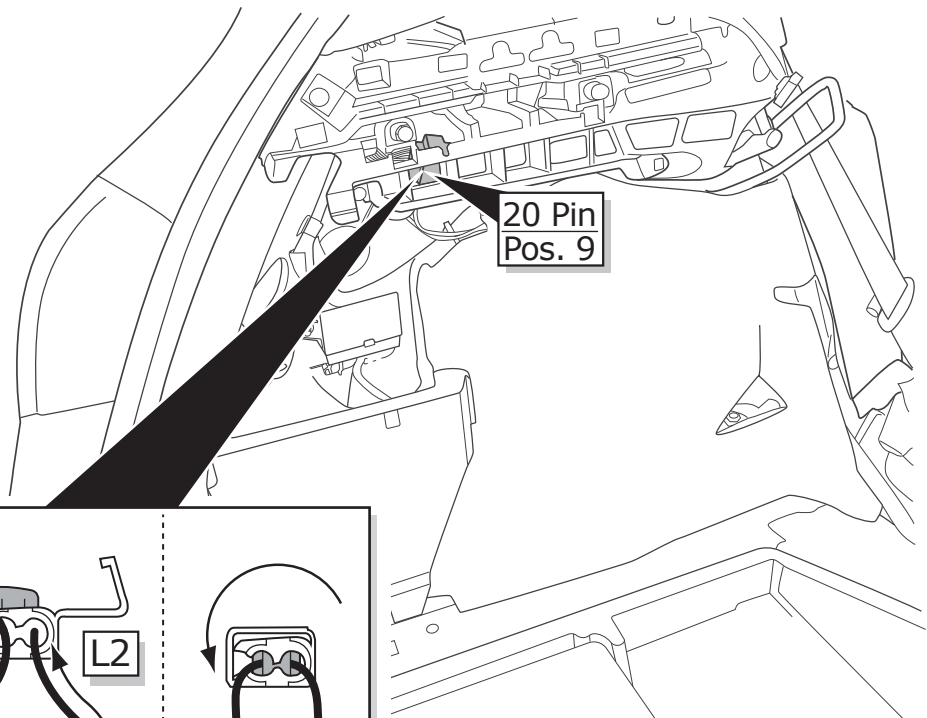
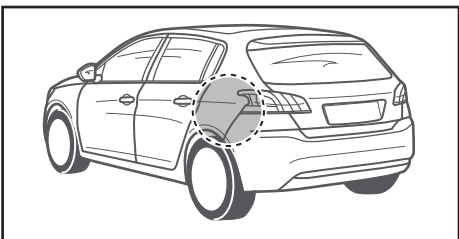


16 Pin BK
Pos. 1

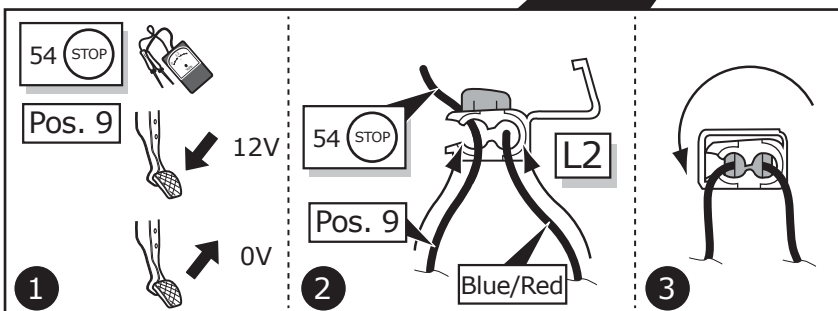


308 HB

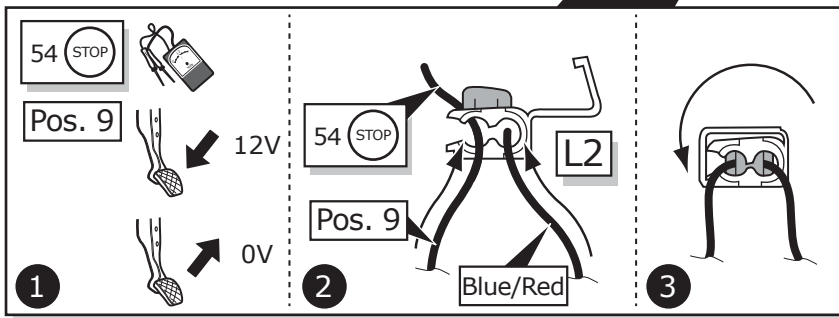
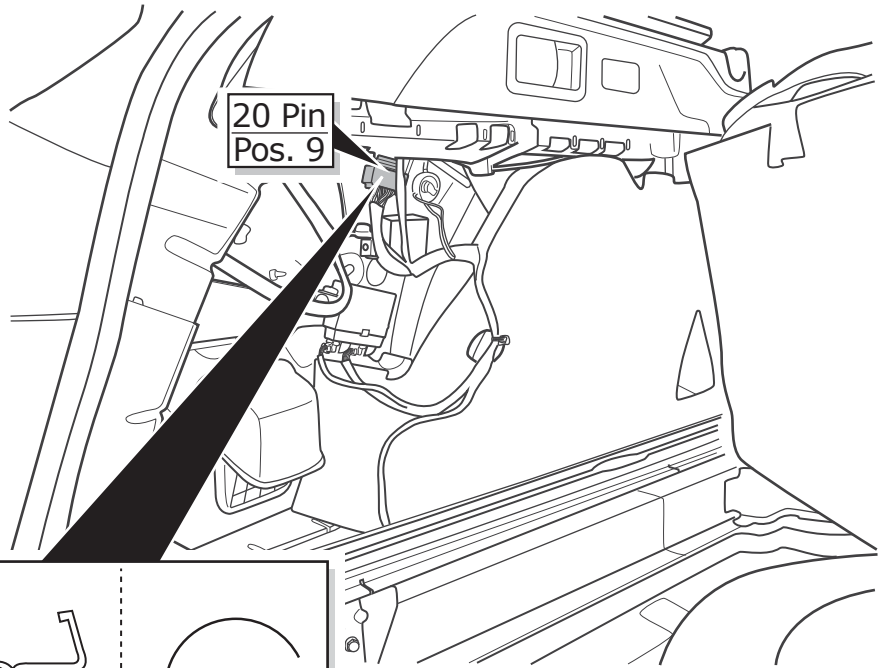
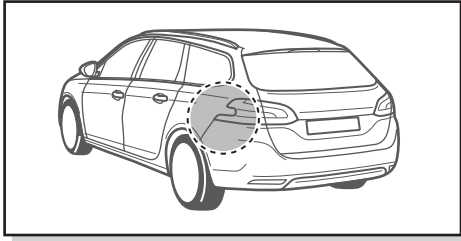
16



20 Pin
Pos. 9

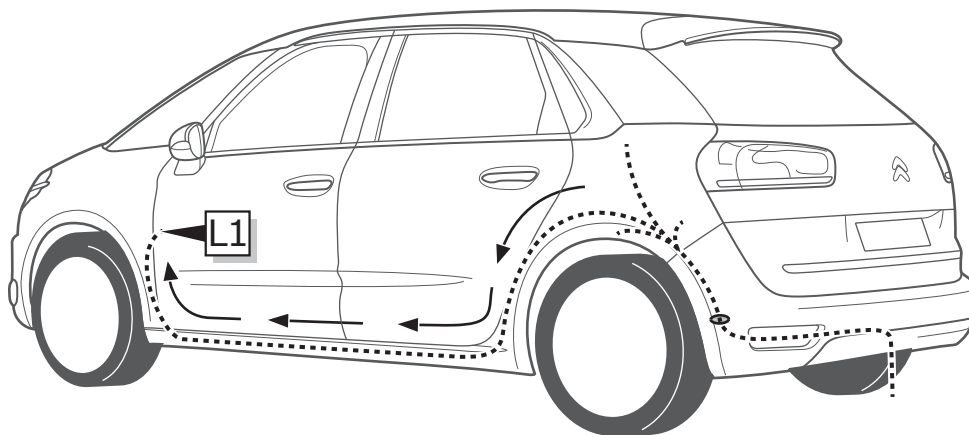


17



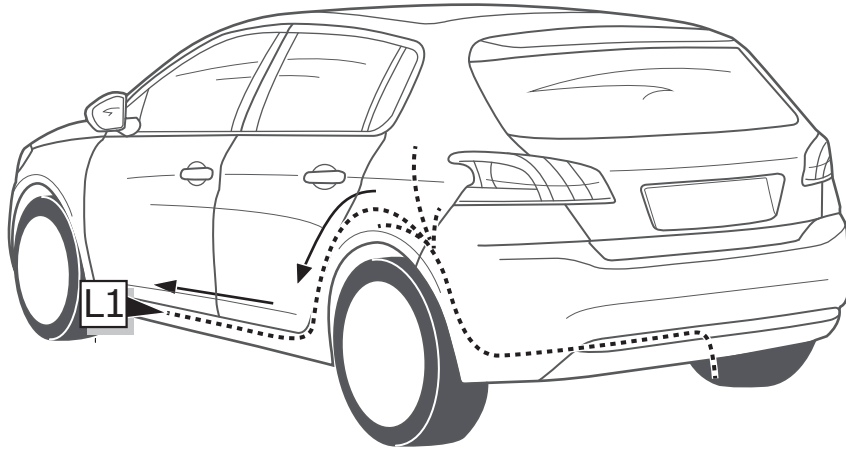
C4 Picasso / C4 Spacetourer

ROUTING



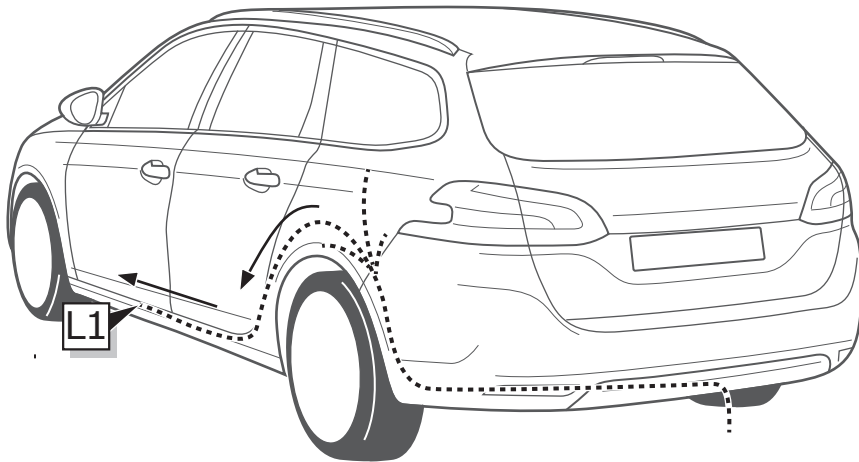
308 HB

ROUTING

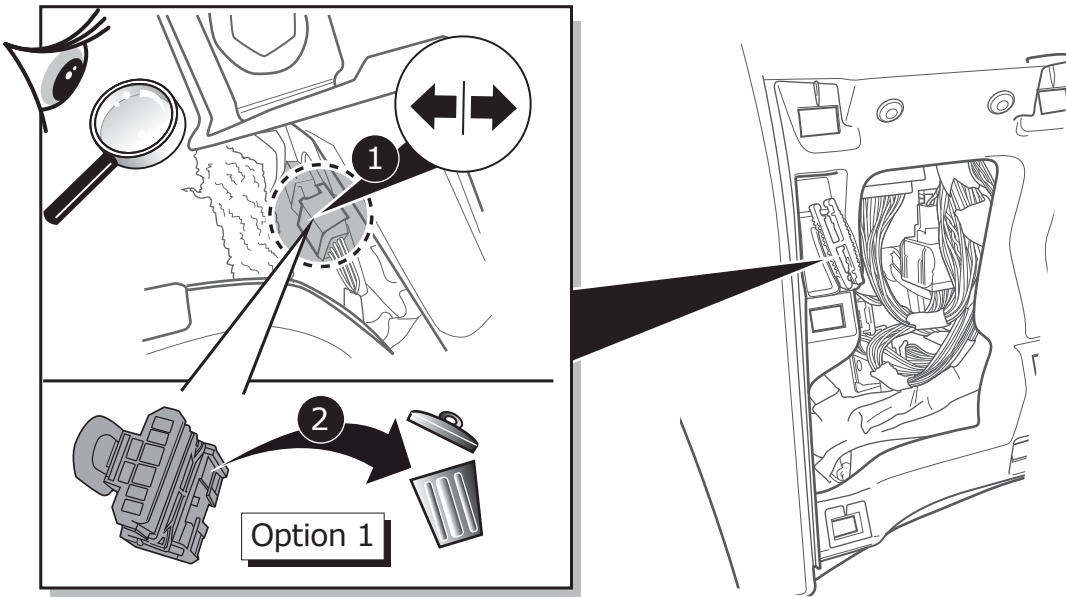


308 SW

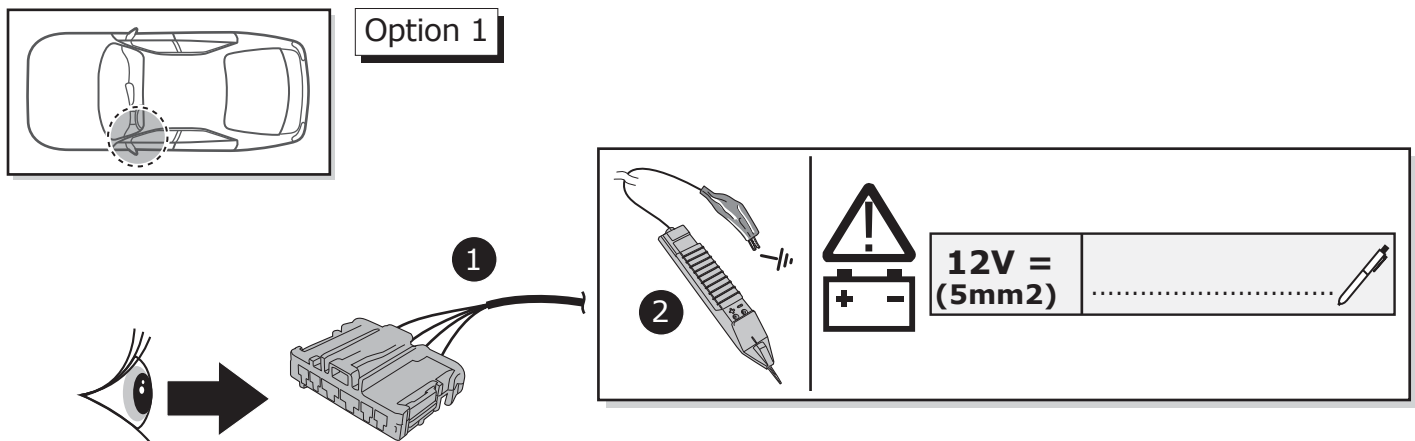
ROUTING



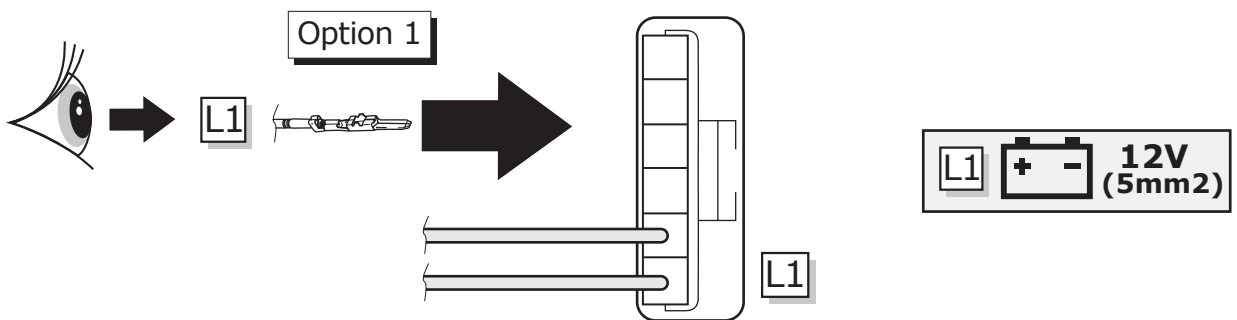
18



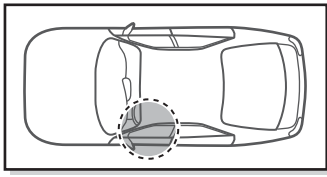
19



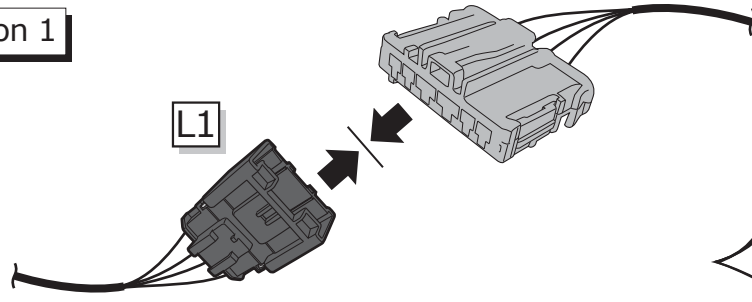
20



21

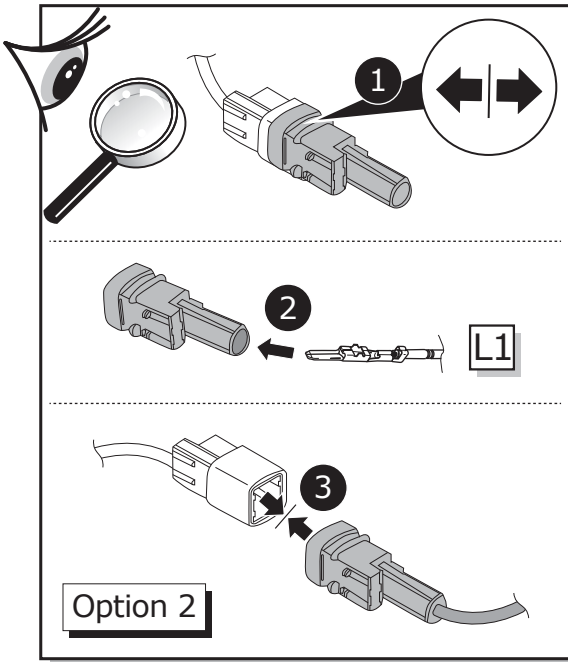


Option 1

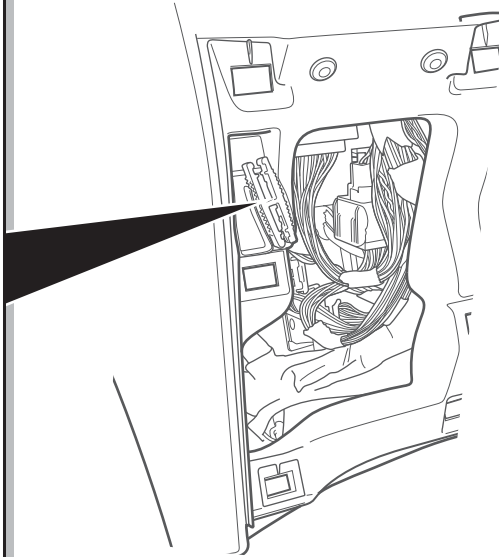


28

22

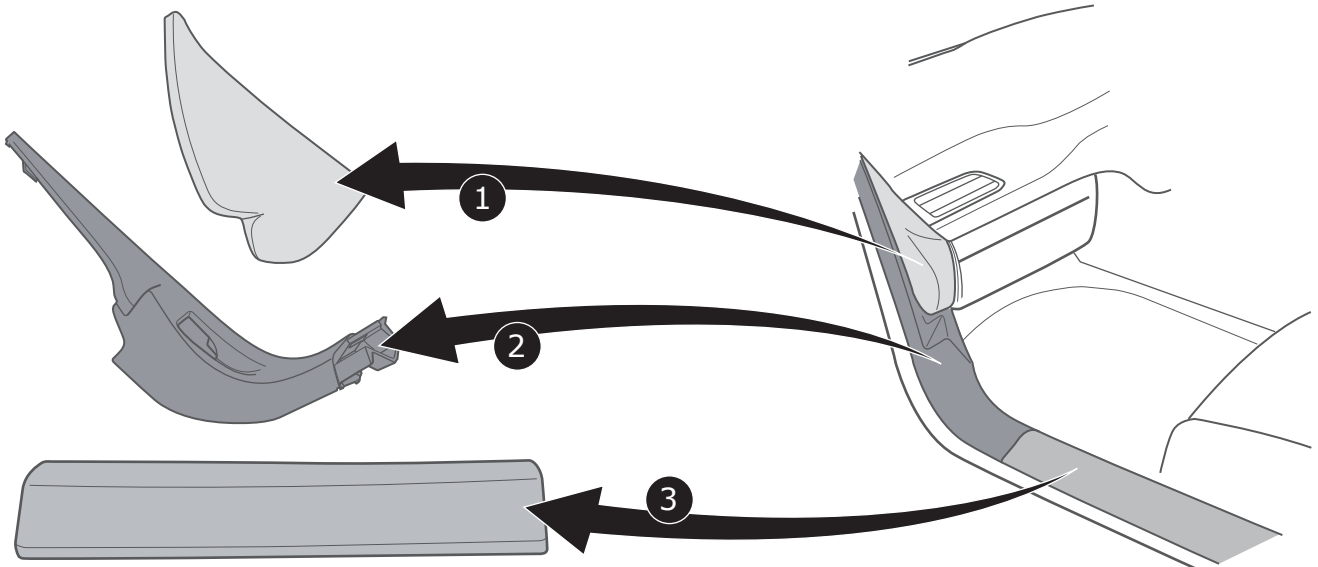


Option 2

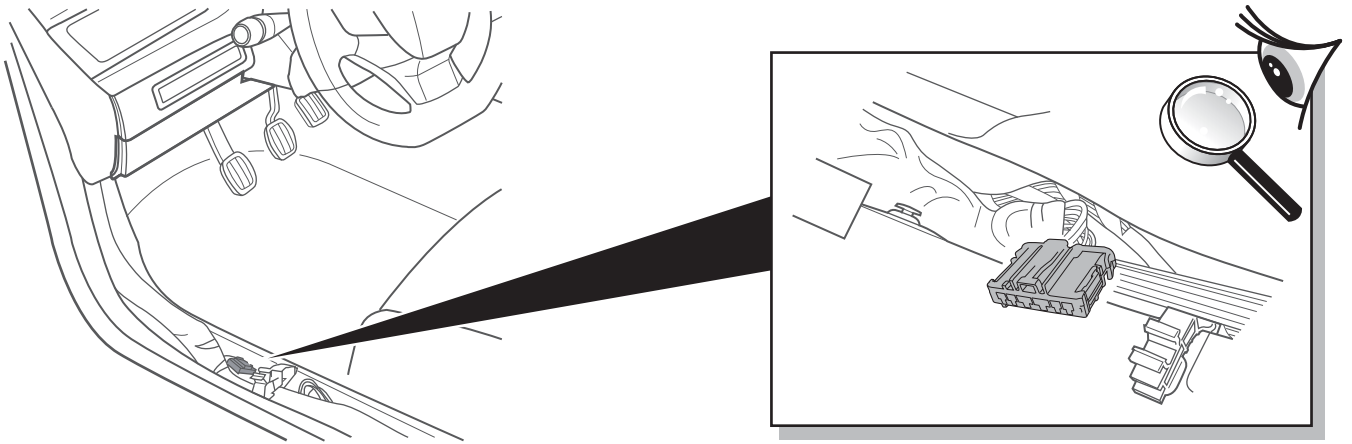


28

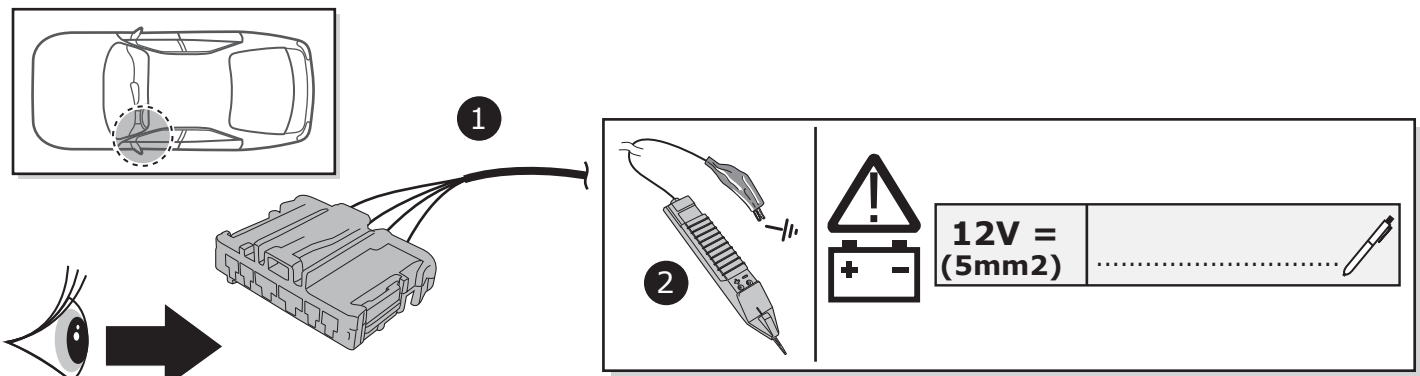
23



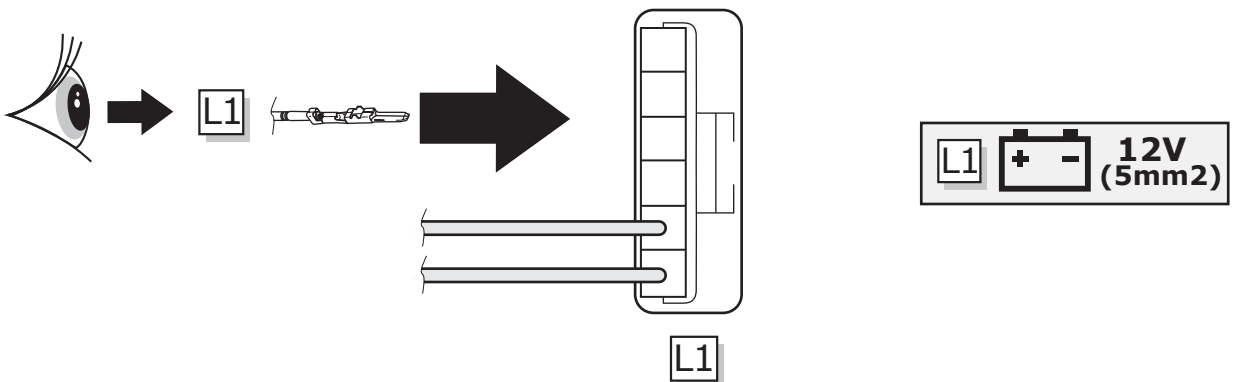
24



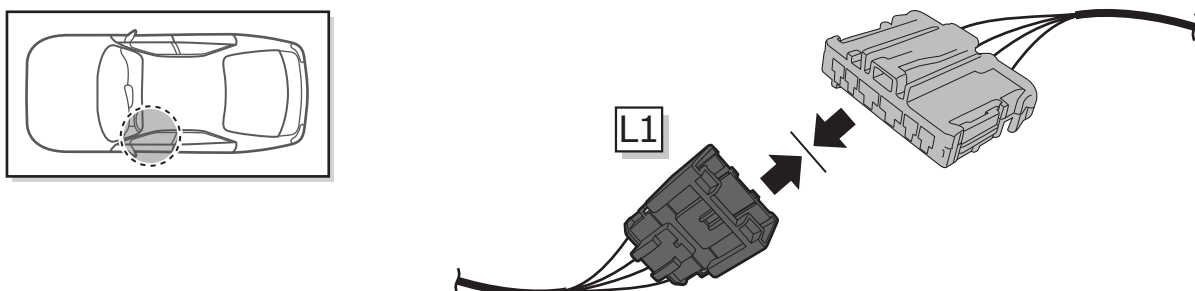
25



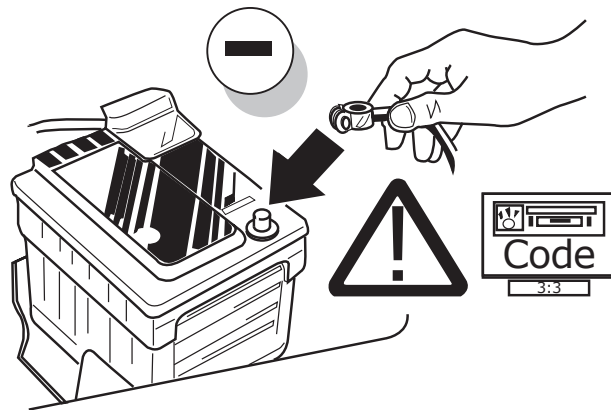
26



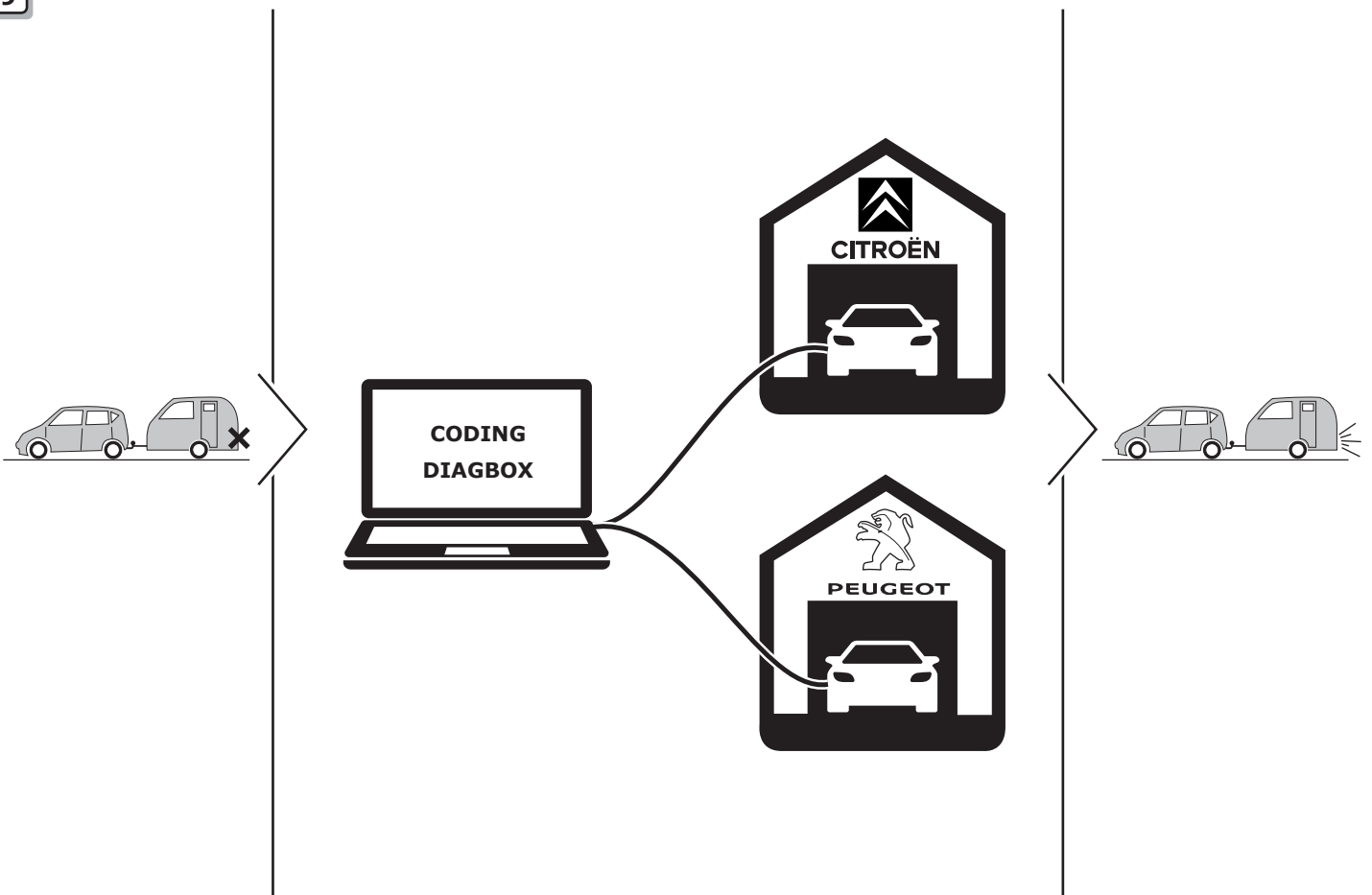
27



28



29



The activation of the trailer functions has to be carried out using the CITROËN/PEUGEOT DIAGBOX as follows:

- choose vehicle
- delivery
- equipment
- trailer control unit (BSR)
- installation of equipment

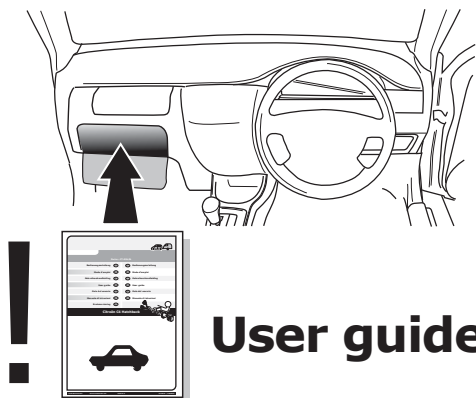
30

! TEST ALL THE CIRCUITS WITH A TEST DEVICE WITH THE CORRECT POWER LOAD FOR EACH FUNCTION. A TEST DEVICE WITH LED'S CANNOT BE USED FOR THIS PURPOSE.

INFO

REINSTALL TRIM.

31



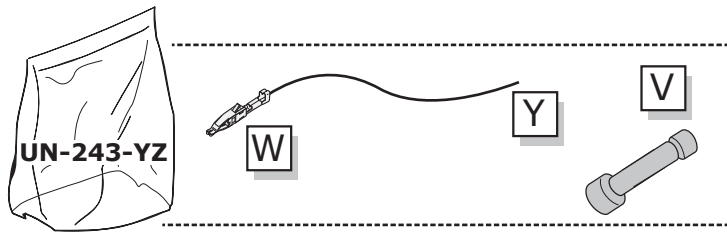
INFO

SOCKET CONNECTION

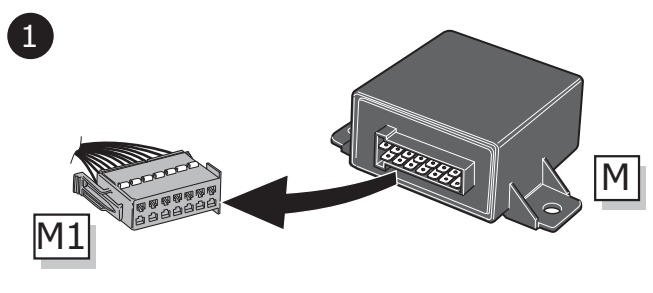
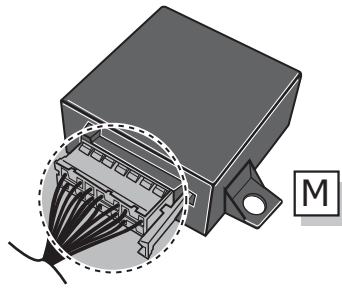
DIN/ISO 1724							
	1/L	2	3/31	4/R	5/58-R	6/54	7/58-L
Pmax	21W	21W		21W	52W	3x21W	52W
Colour	Yellow	Blue	White	Green	Brown	Red	Black

UN-243-YZ Reverse lamp pre-wire extension

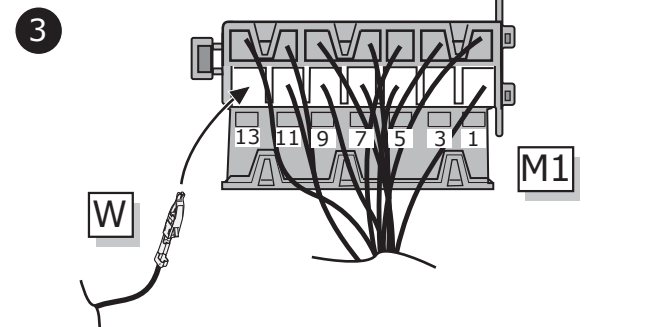
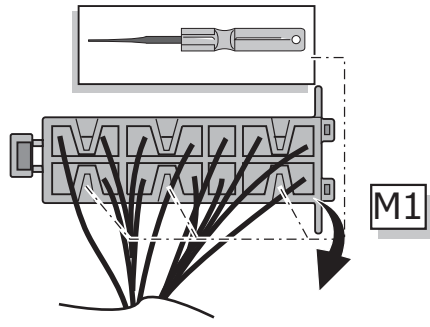
⚠ MAX = 21W



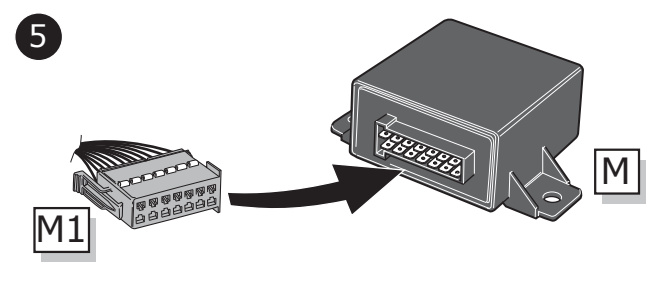
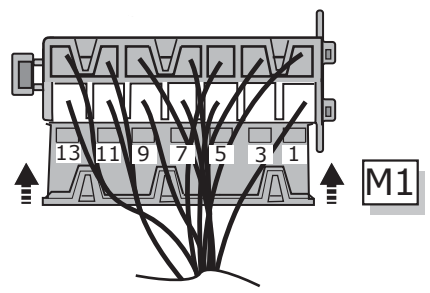
A



2



4



B

⚠ MAX = 21W

