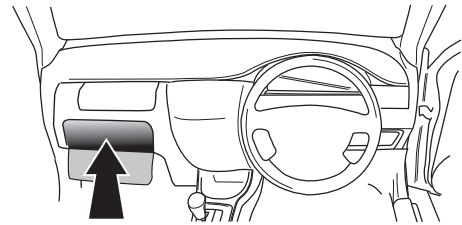
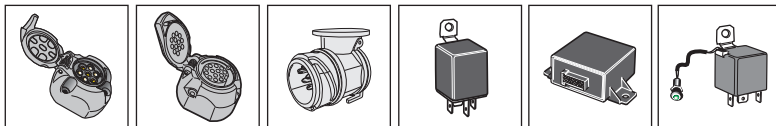


! INFO !

Do not charge the battery of the towing vehicle and/or towed vehicle directly via the socket.



User guide



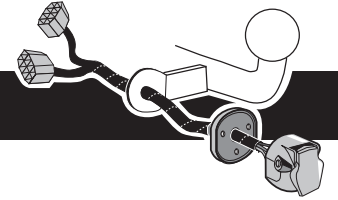
SPARE PARTS

www.ecs-electronicsuk.co.uk

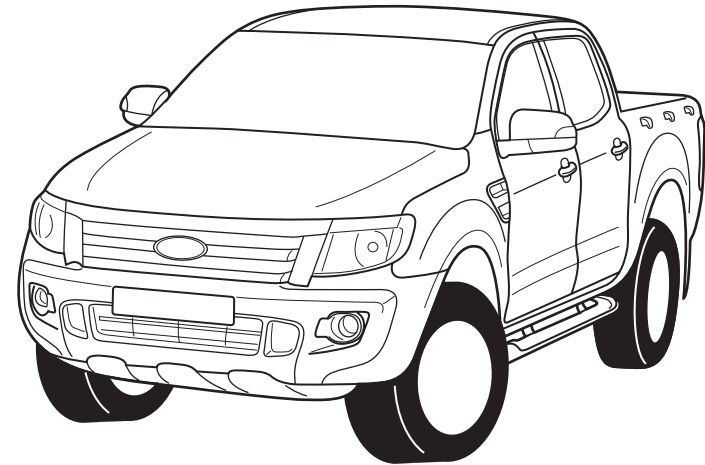


Partnr.: FR-077-D1U

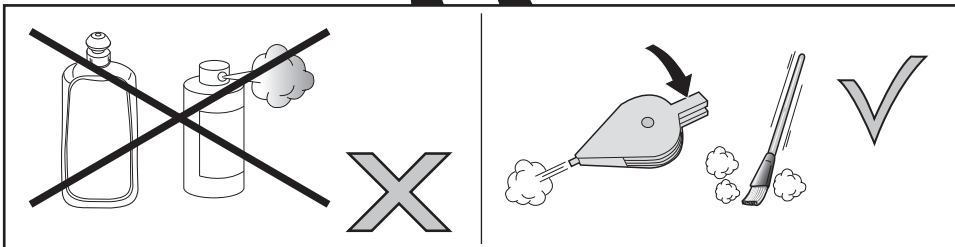
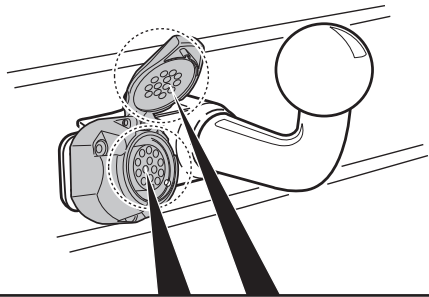
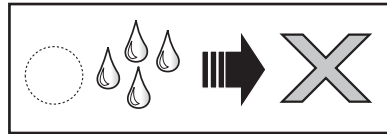
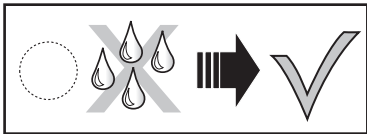
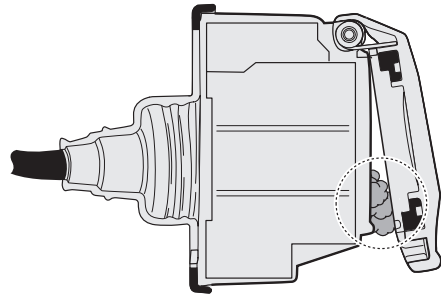
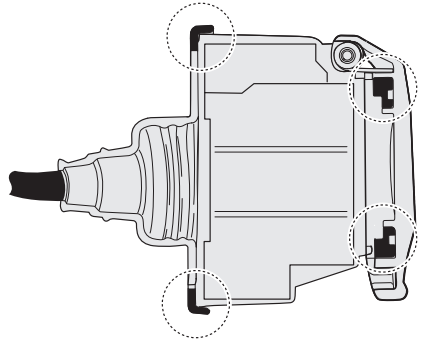
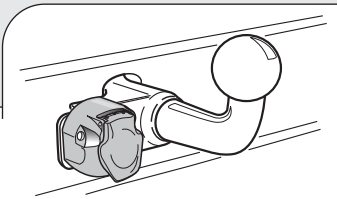
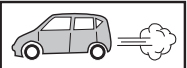
User Guide



Ford Ranger MK2



INFO



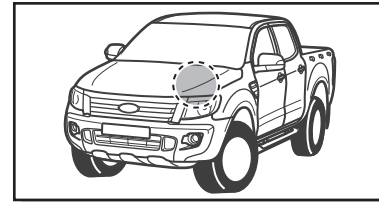
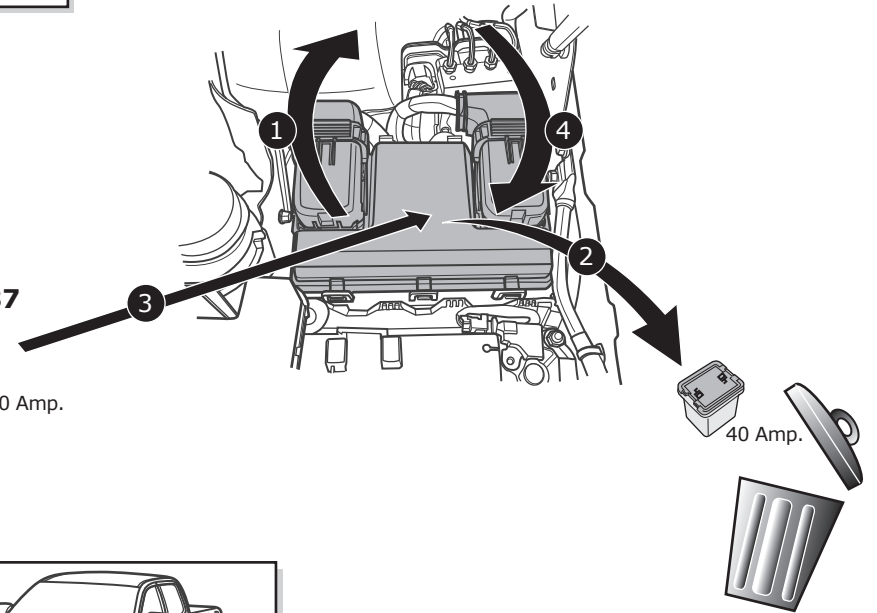
CHANGING THE FUSE

Option 1

Pos. 87



20 Amp.

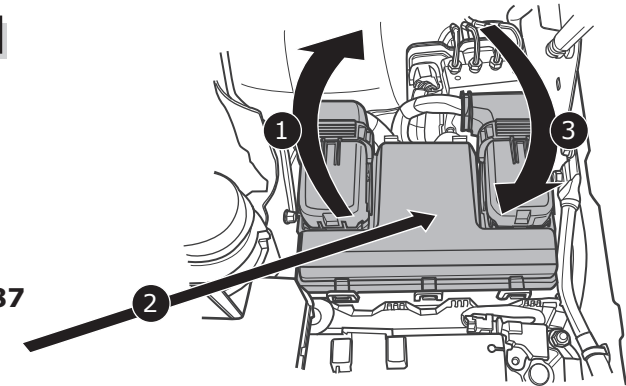


Option 2

Pos. 87

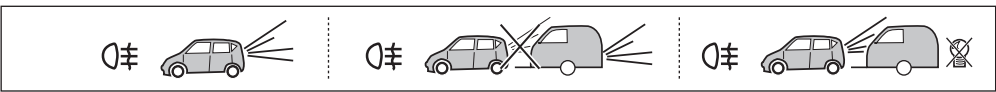


20 Amp.

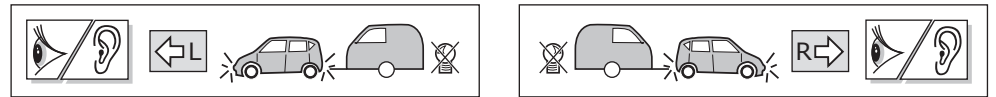


SOCKET CONNECTION

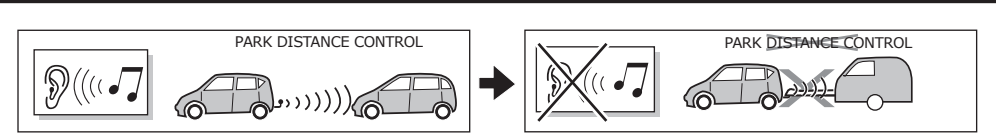
| | | | | | | | | | | | | | | |
|---------------|--------|-------|-------|-------|--------|-----------------------------|--------|---------------|-----------------|-----------------------------|-------|----|-------|--|
| DIN/ISO 11446 | | | | | | | | | | | | | | |
| | 1/L | 2 | 3/31 | 4/R | 5/58-R | 6/54 | 7/58-L | 8 | 9 | 10 | 11 | 12 | 13 | |
| Pmax | 21W | 2x21W | | 21W | 52W | 3x21W | 52W | 2x21W | 180W/15Amp | 180W/15Amp | | | | |
| Colour | Yellow | Blue | White | Green | Brown | Red 1,00 mm ² | Black | Black/ Red | Brown/ White | Red 2,50 mm ² | White | - | White | |



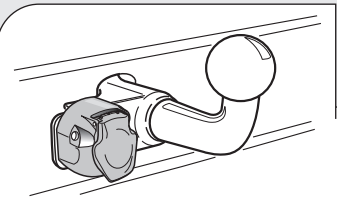
In a coupled trailer with working fog lamp, the fog lamp of the vehicle will be switched off, if applicable.



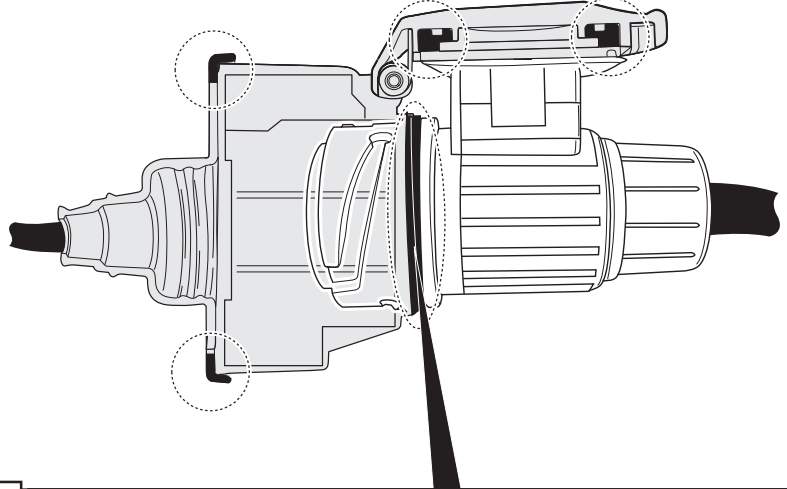
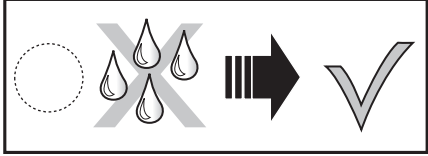
The flashing lights on the trailer are monitored. If one of the indicators of the trailer breaks down, a buzzer will be audible and/or a visual signal will be visible on the dashboard. Check the flashing lights on the trailer.



The wiring kit has a possibility to switch off any Park Distance Control in the case of a coupled trailer.

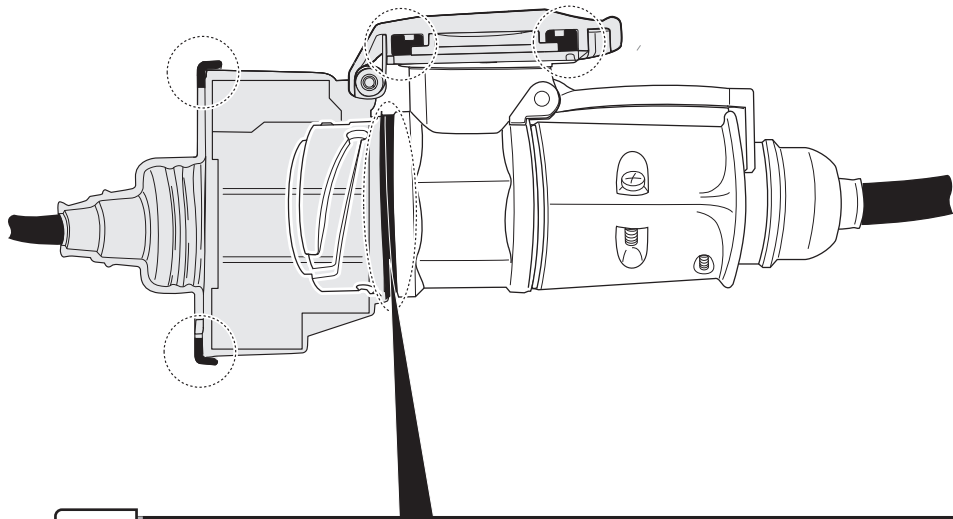
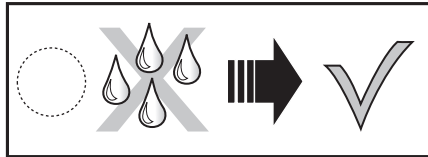
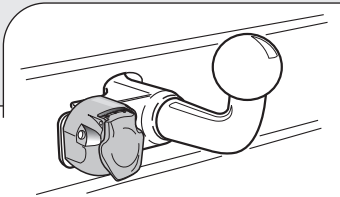
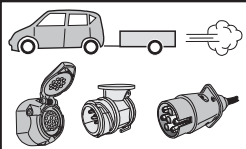


INFO : Ring.

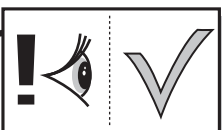
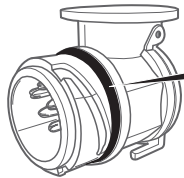
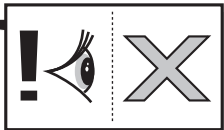
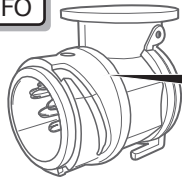


INFO

INFO : Adapt.



INFO



INFO : Storage

