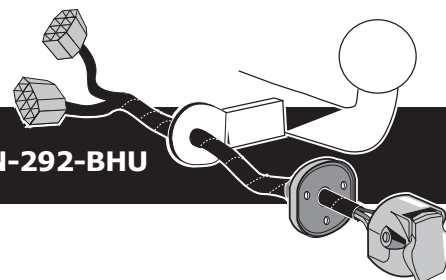


## Honda CR-V 2007 >>

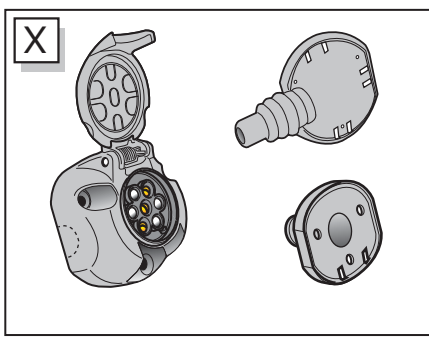
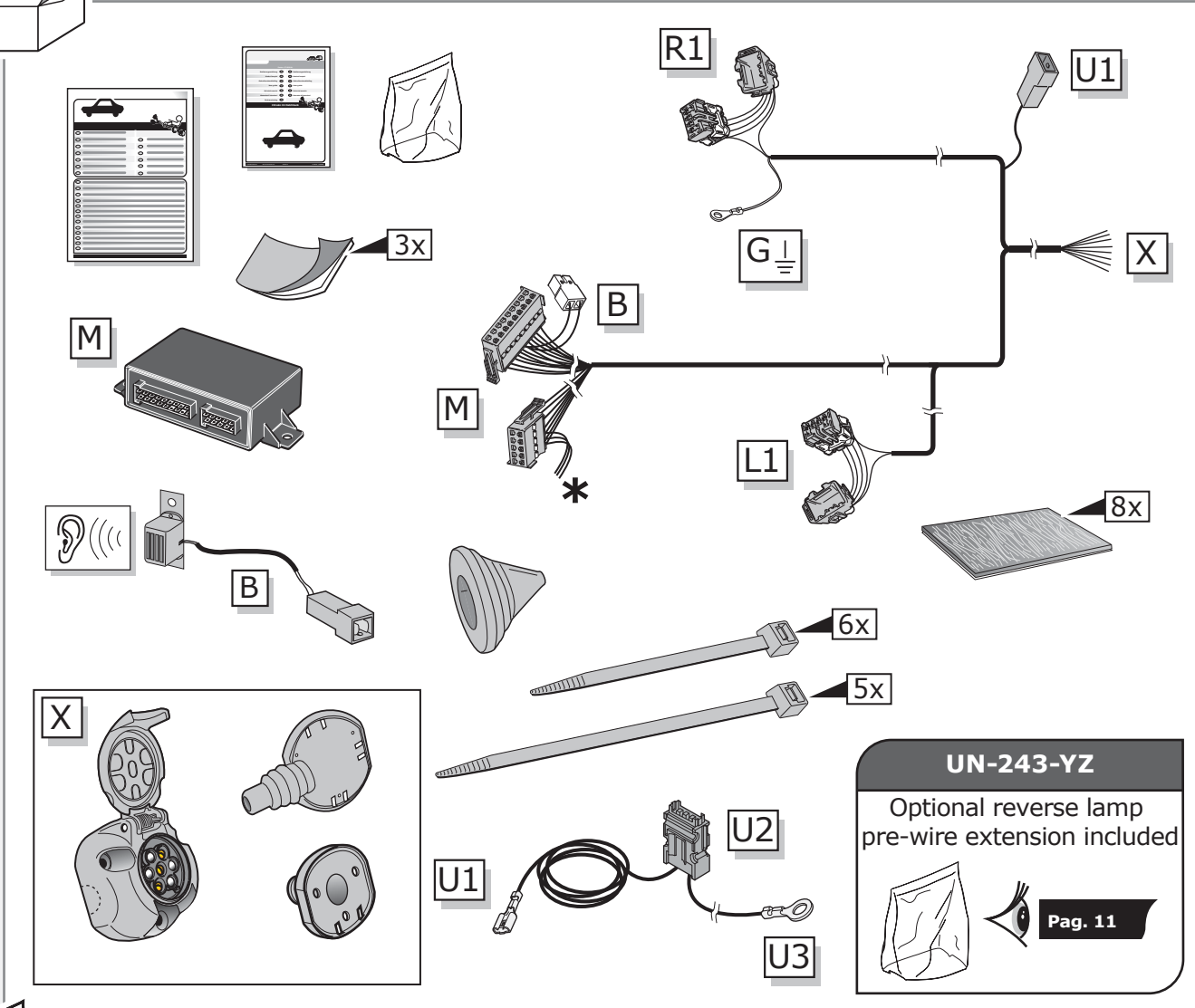
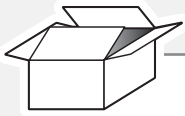
Partnr.: HN-292-BHU



- Fitting instructions electric wiring kit tow bar with 12-N socket up to DIN/ISO Norm 1724.
- We would expressly point out that assembly not carried out properly by a competent installer will result in cancellation of any right to damage compensation, in particular those arising by virtue of the product liability act.
- Contents of these kits and their fitting manuals are subject to alteration without notice, please ensure that these instructions are read and fully understood before commencing installation.
- Do not overload circuits; the maximum loads per connection are detailed in this manual.
- Attention! Before Installation, please read this manual carefully and inform your customer to consult the vehicle owners manual to check for any vehicle modifications required before towing.
- In the event of functional problems, troubleshooting must be limited to about 0.5 hours, contact the technical support:  
[ukts@ecs-electronics.com](mailto:ukts@ecs-electronics.com) / 07440 202 052.



# Part list



**UN-243-YZ**  
 Optional reverse lamp  
 pre-wire extension included

Pag. 11



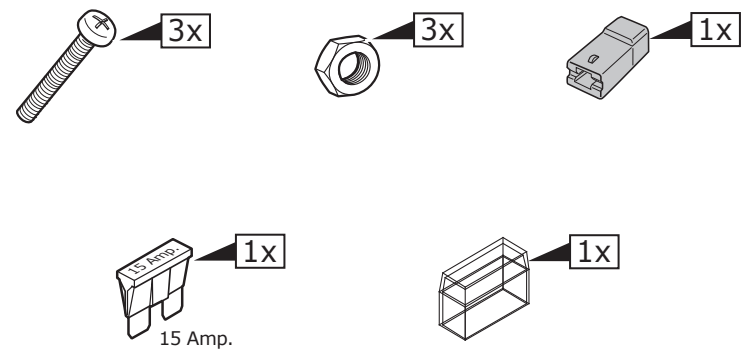
**Option! \***

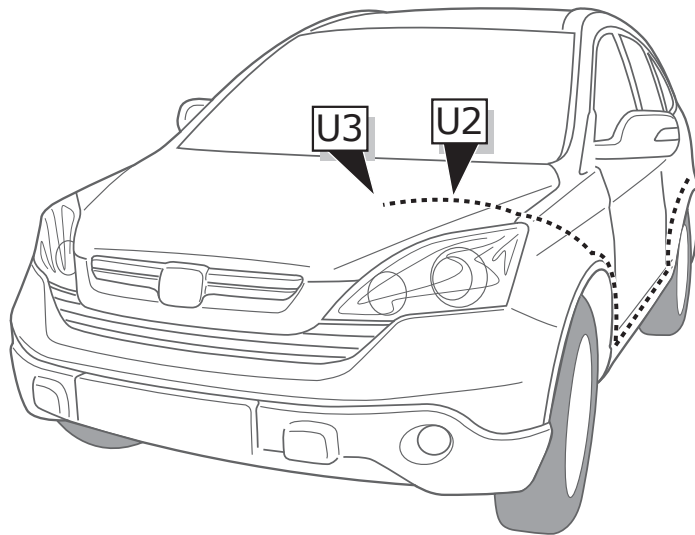
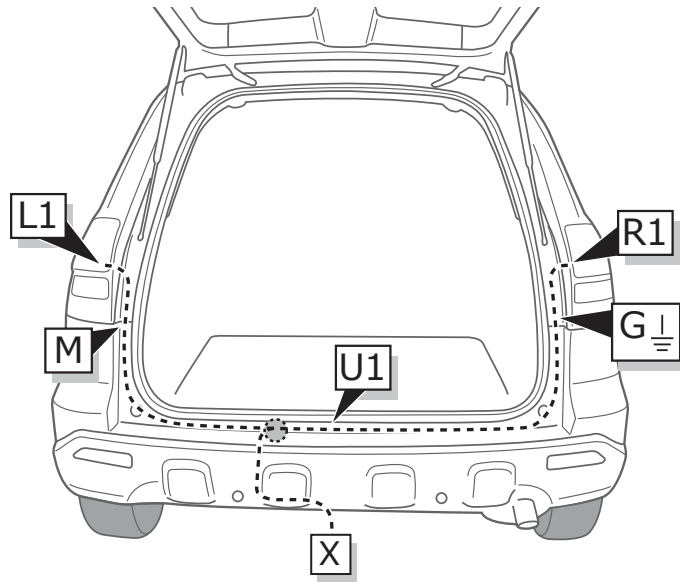
PARK DISTANCE CONTROL

↓

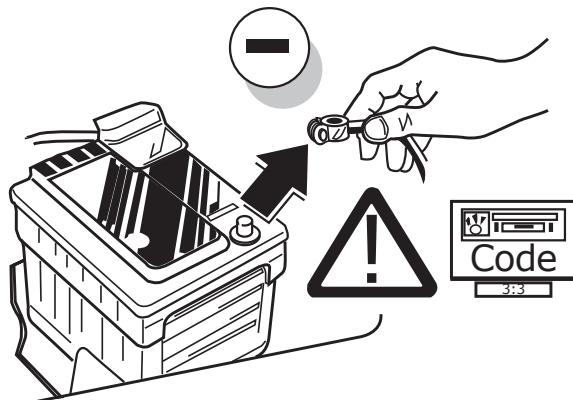
PARK DISTANCE CONTROL

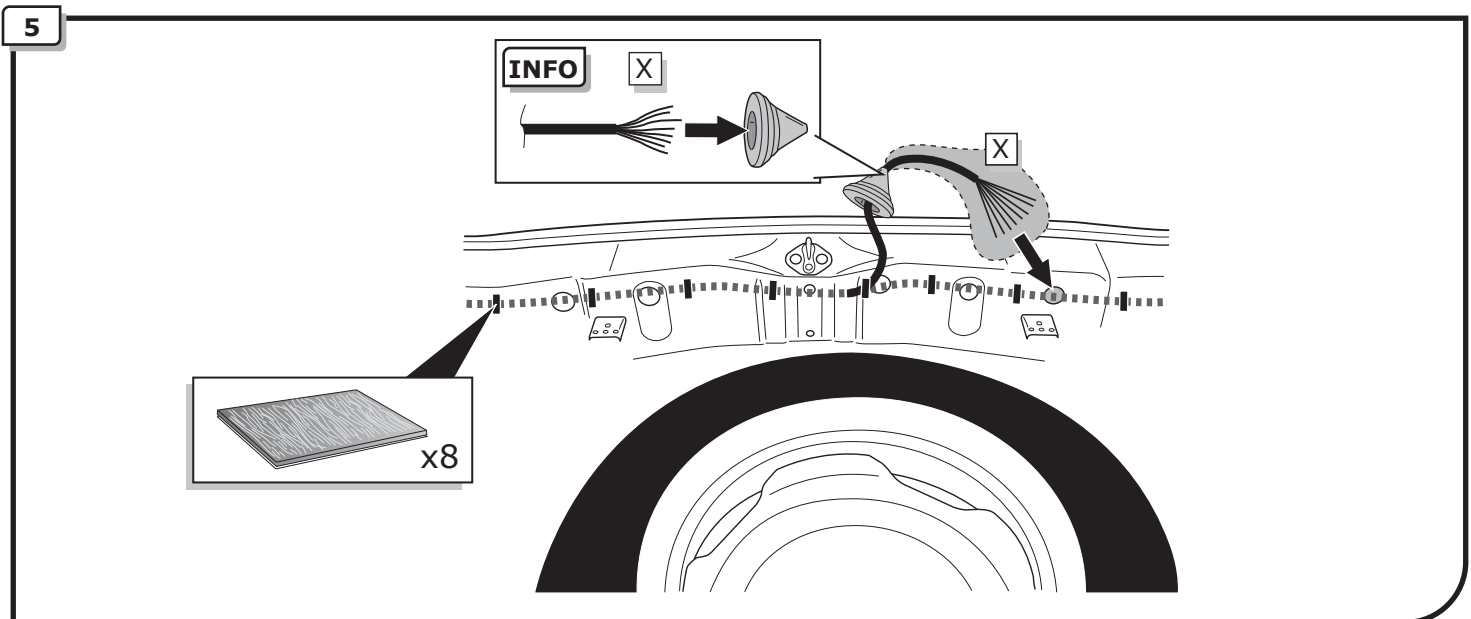
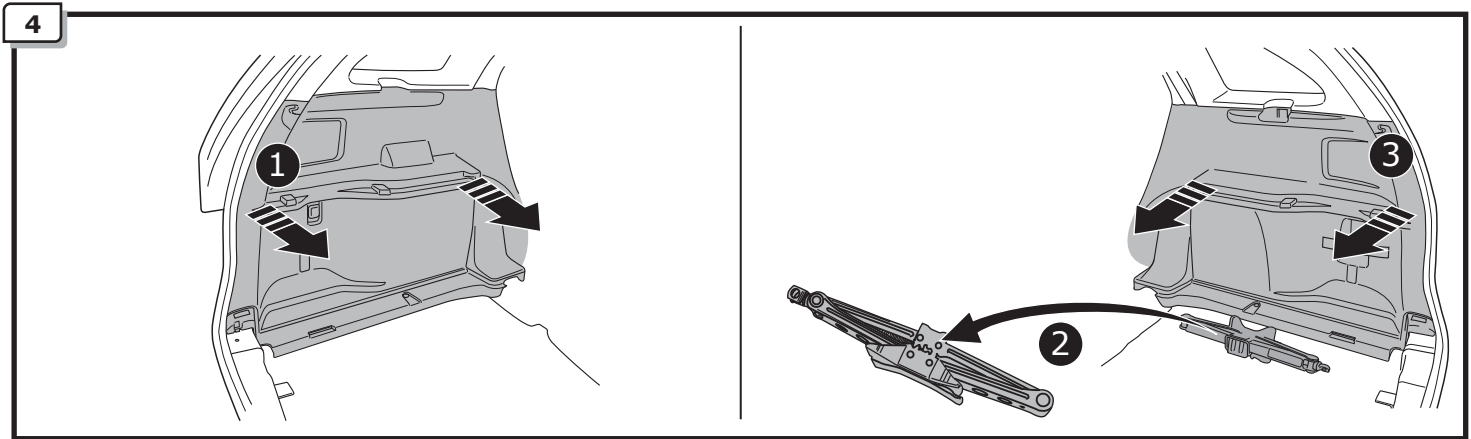
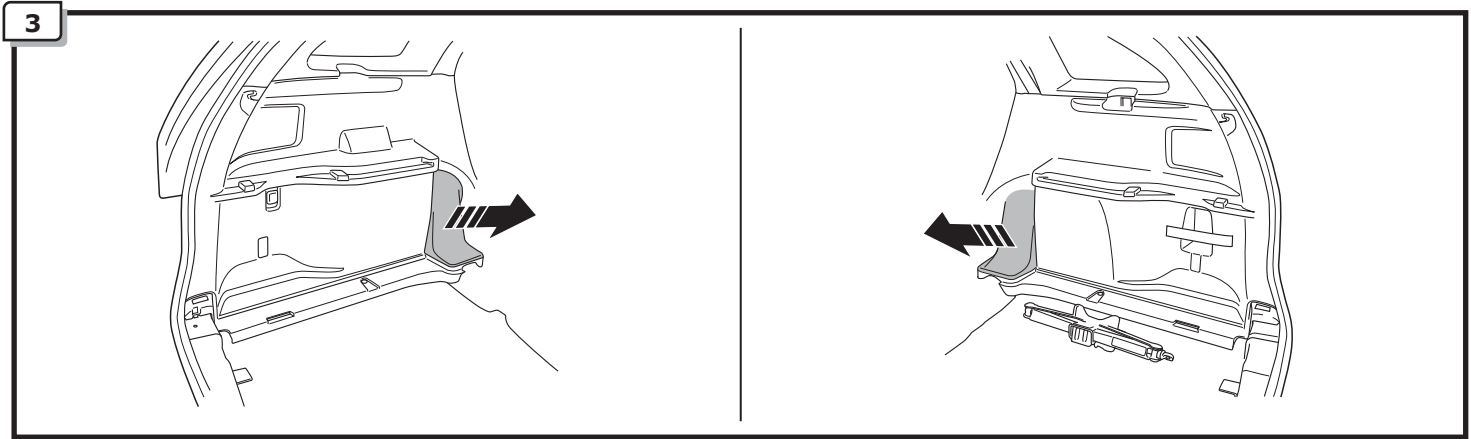
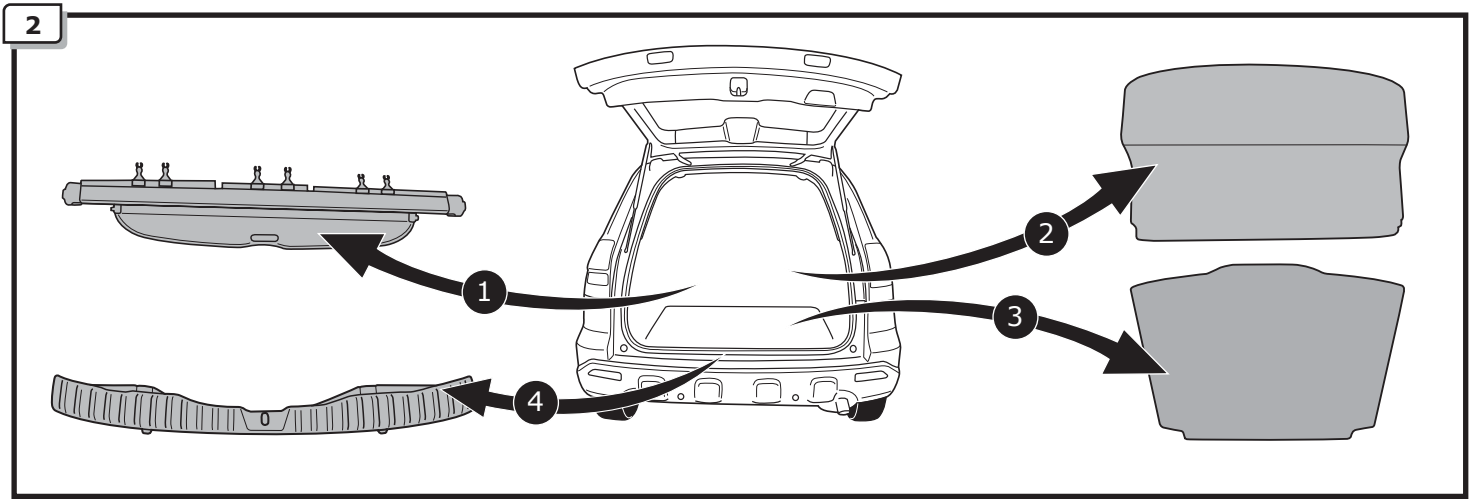
Pag. 9

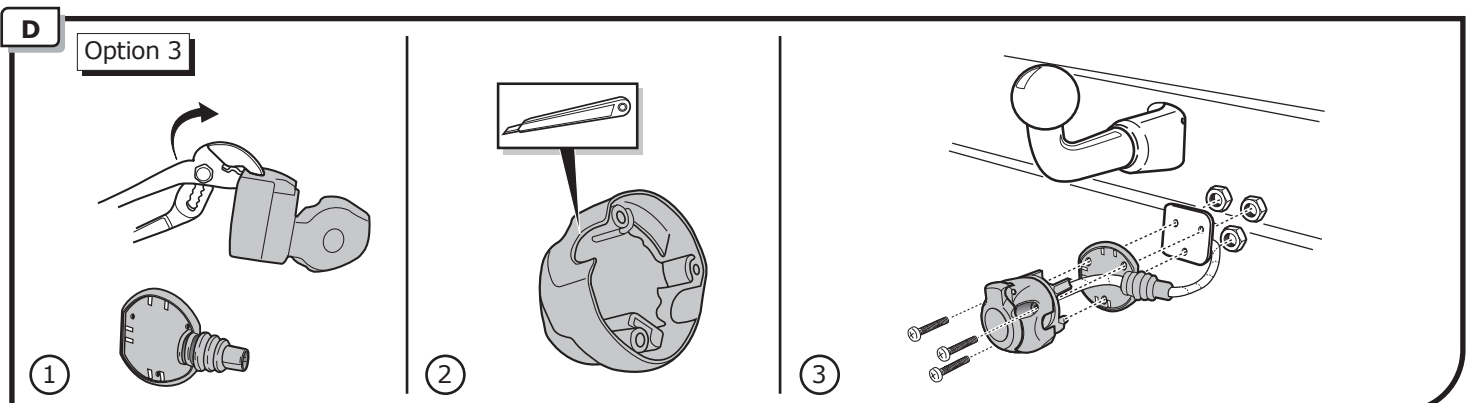
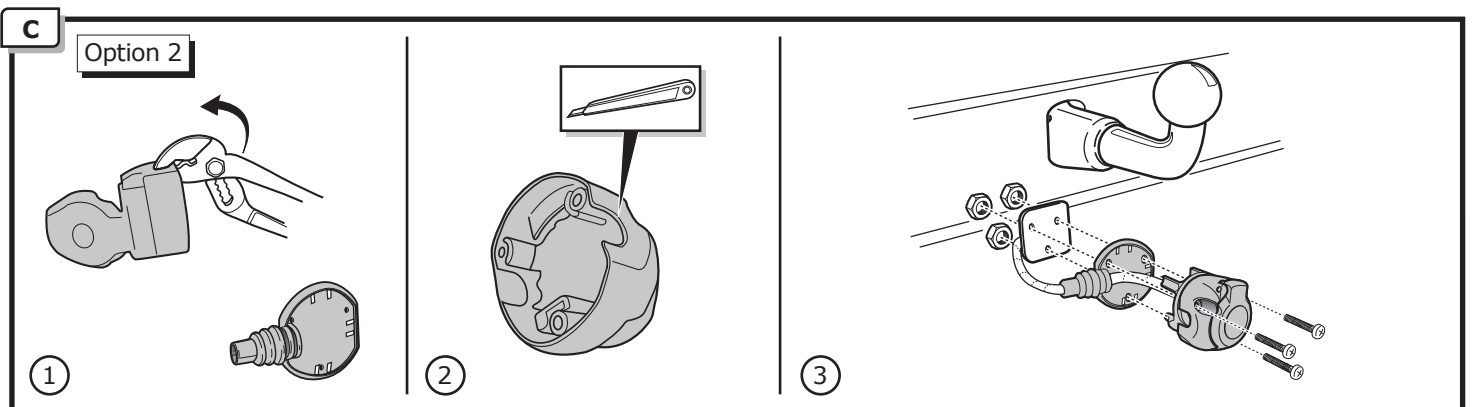
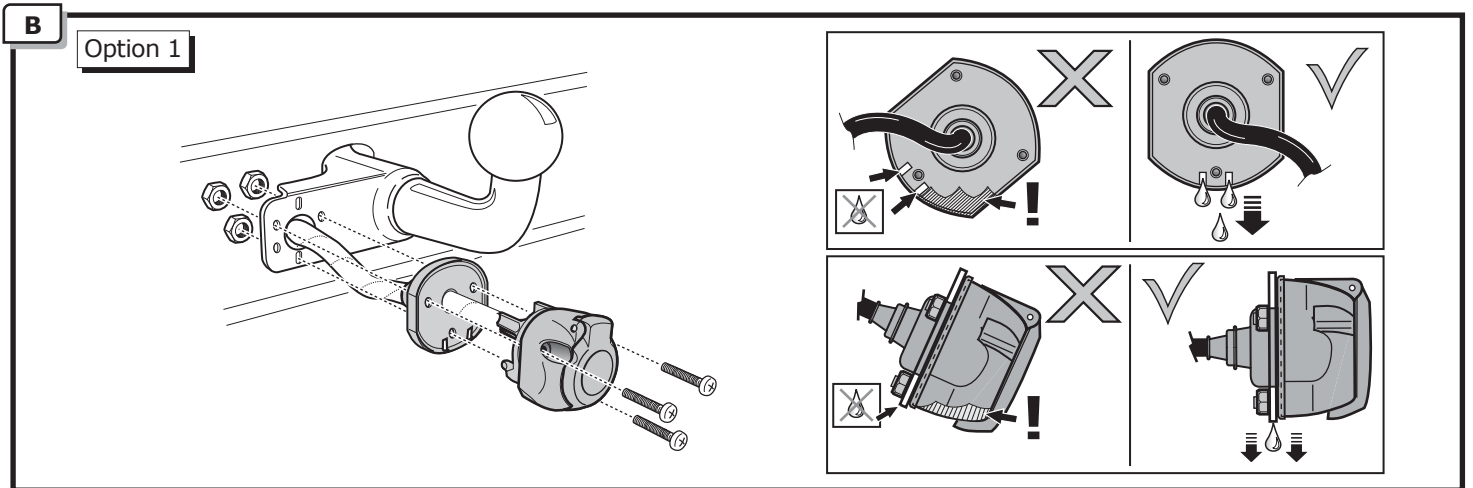
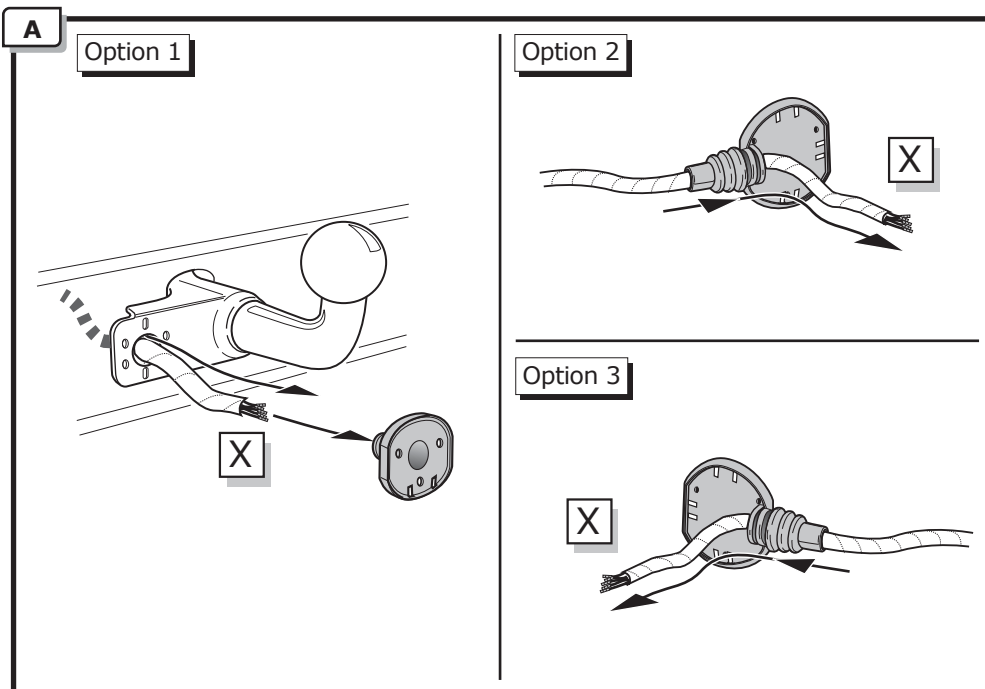


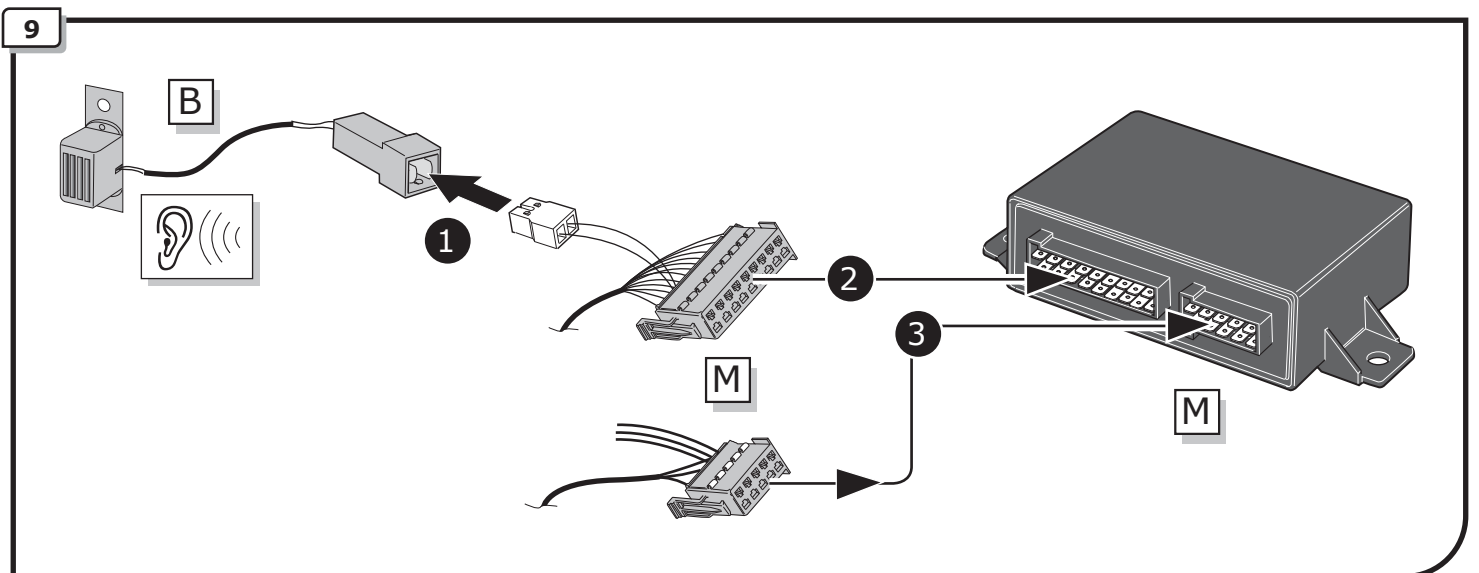
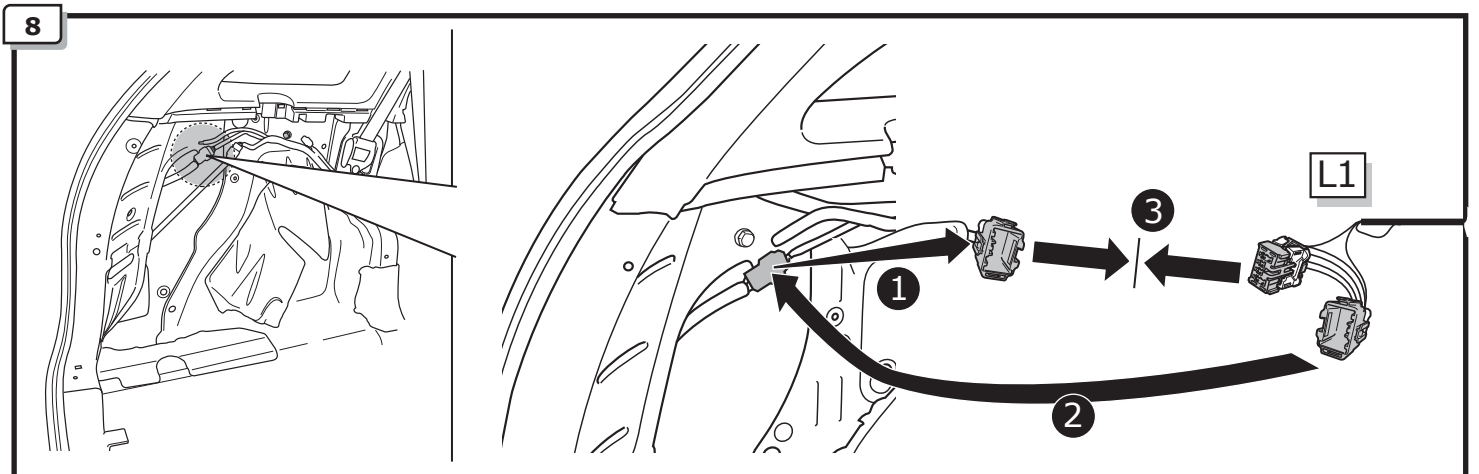
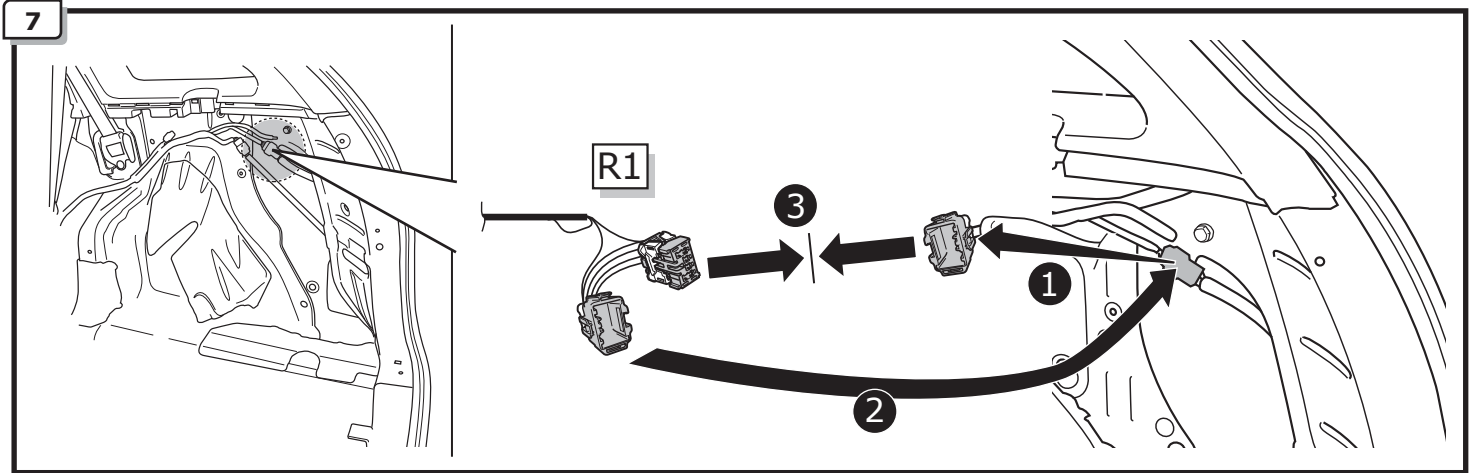
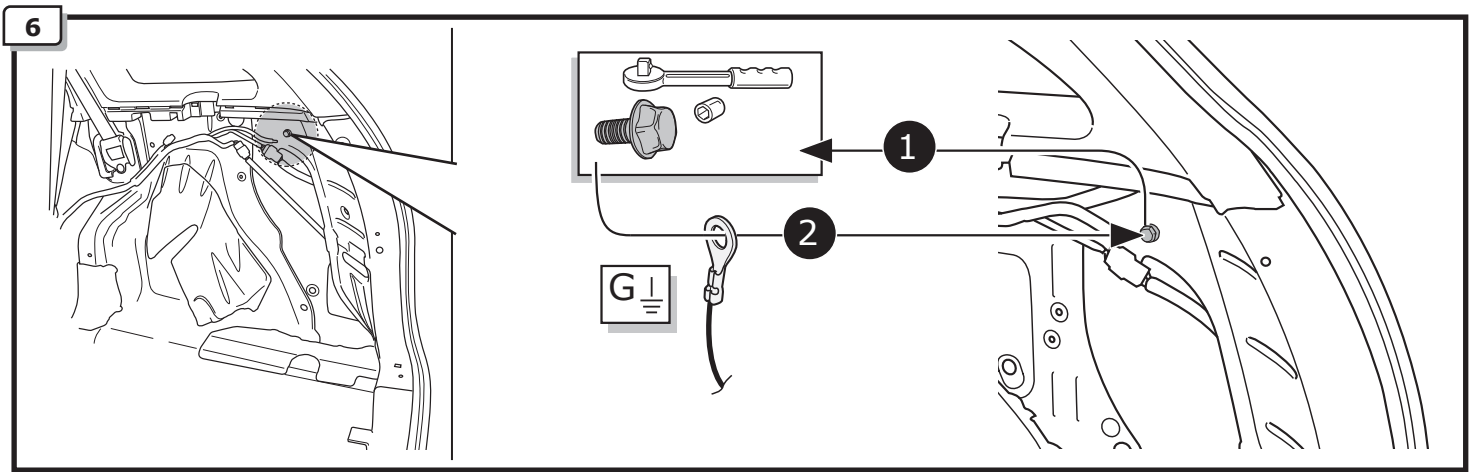


1

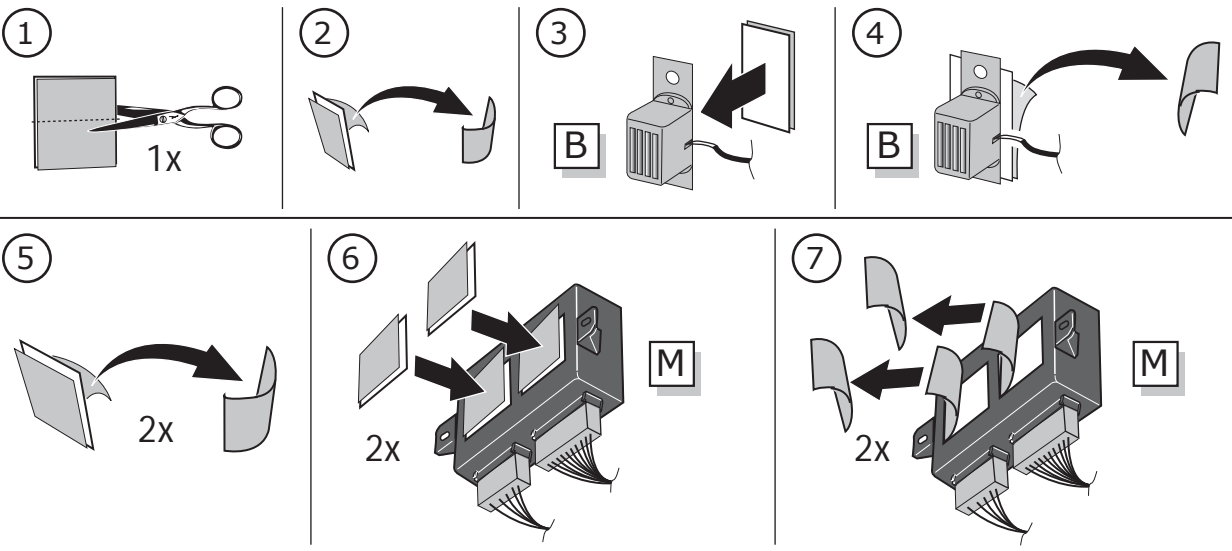
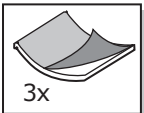




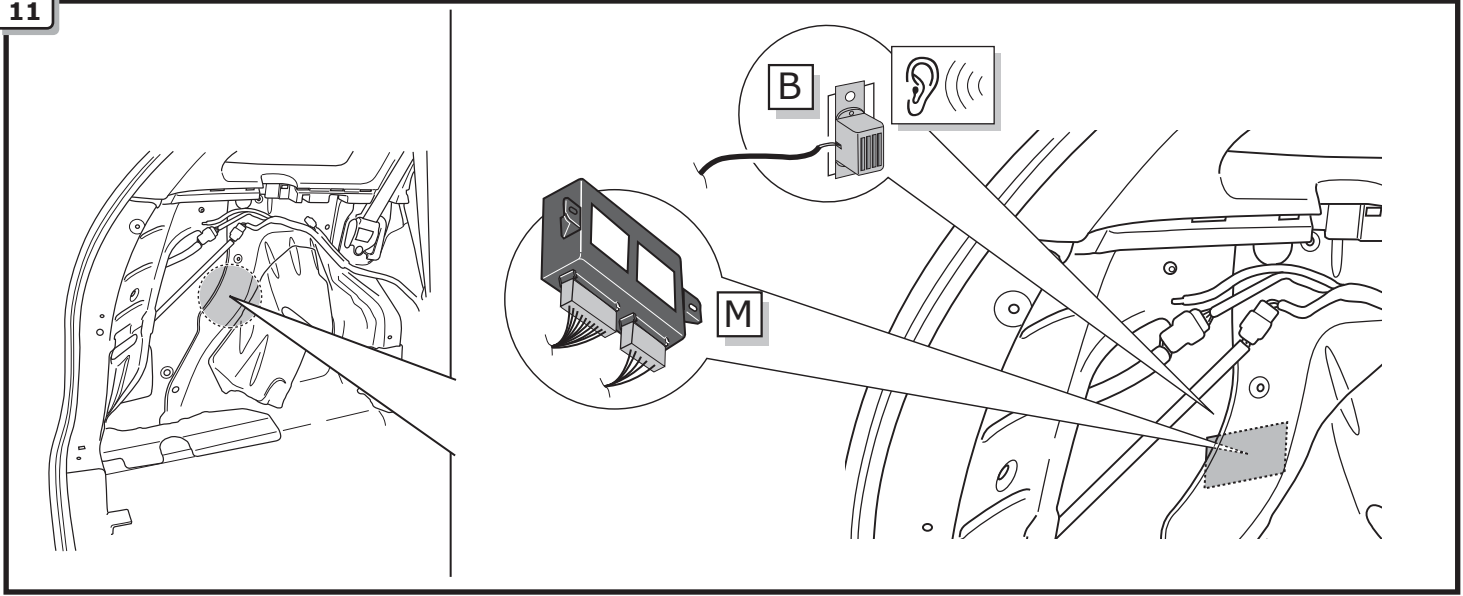




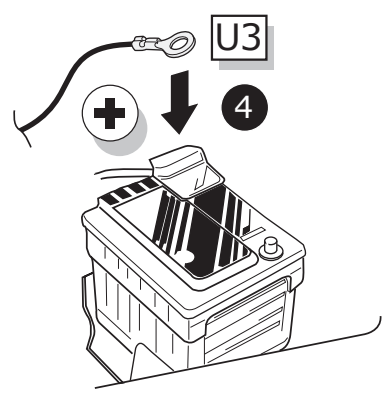
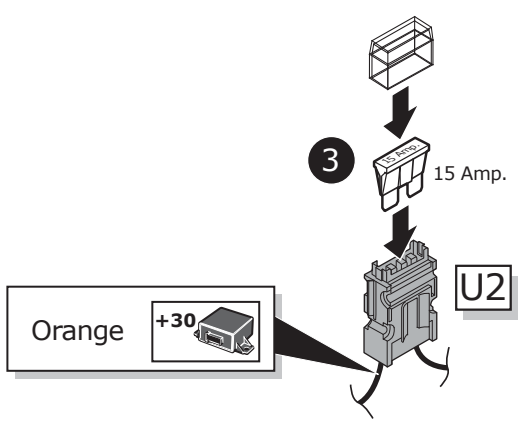
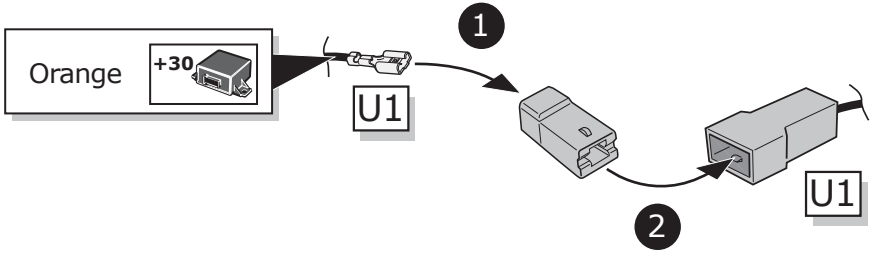
10



11

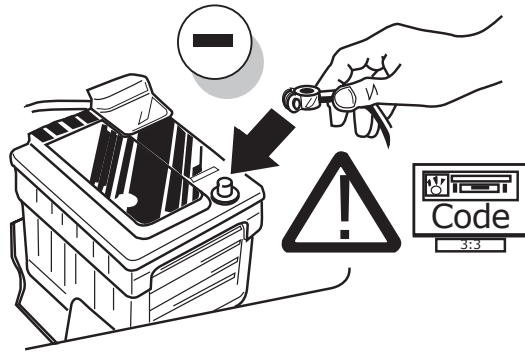


12





13



14

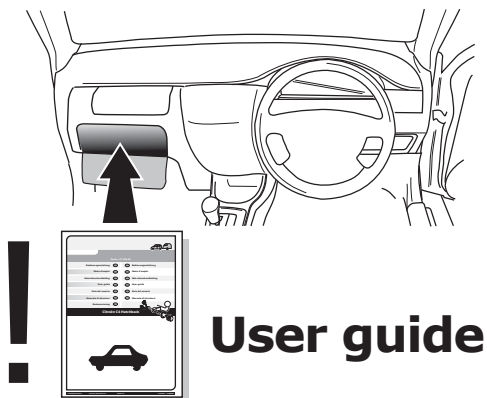


TEST ALL THE CIRCUITS WITH A TEST DEVICE WITH THE CORRECT POWER LOAD FOR EACH FUNCTION. A TEST DEVICE WITH LED'S CANNOT BE USED FOR THIS PURPOSE.

INFO

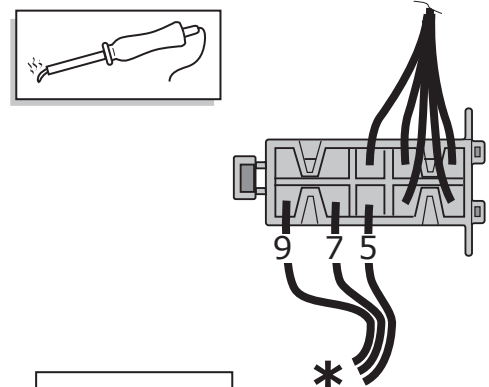
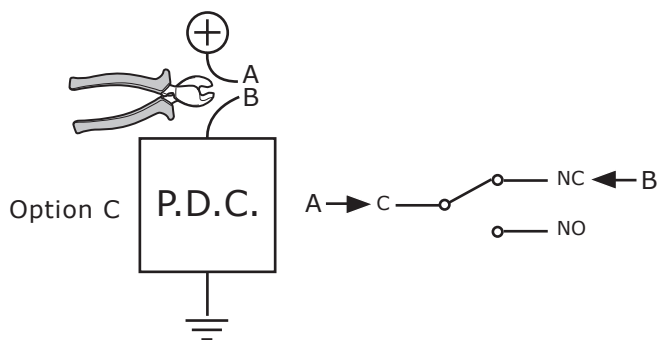
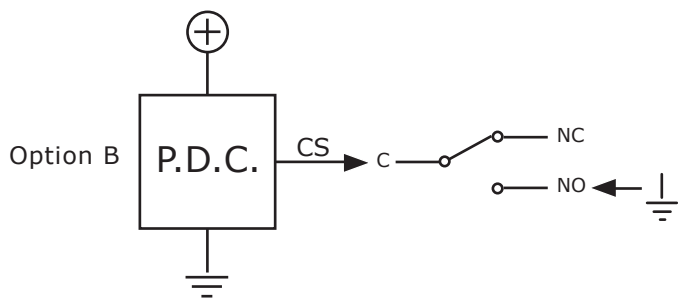
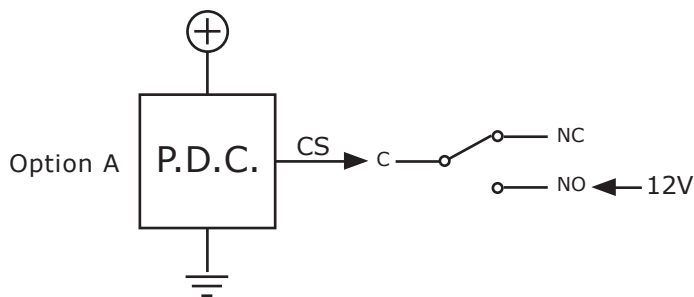
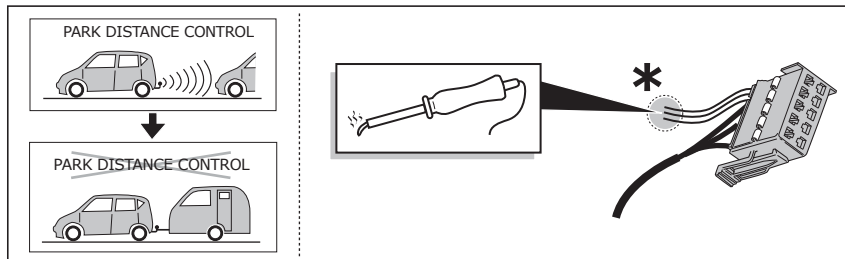
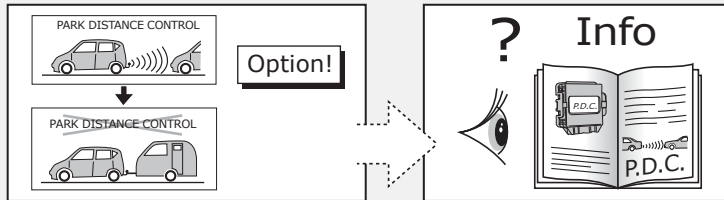
REINSTALL TRIM.

15



**User guide**





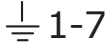







9 = C  
Red/Black

7 = NC  
Blue/Black

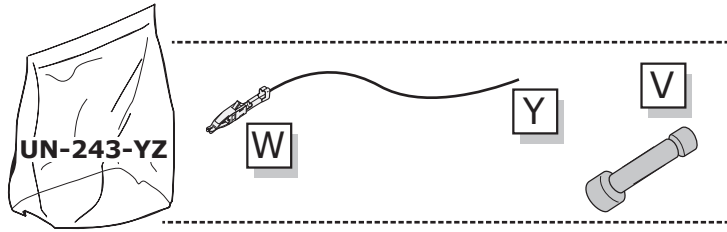
5 = NO  
Blue/White

**SOCKET CONNECTION**

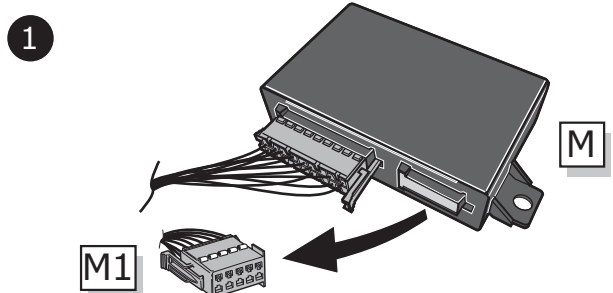
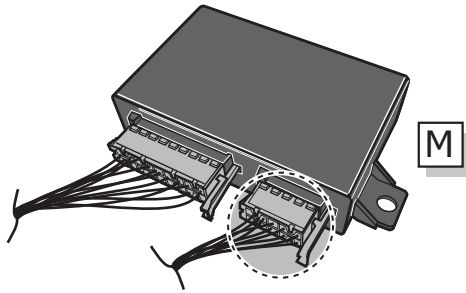
DIN/ISO 1724								
	1/L	2	3/31	4/R	5/58-R	6/54	7/58-L	8
Pmax	21W	2x21W		21W	52W	3x21W	52W	
Colour	Yellow	Blue	White	Green	Brown	Red	Black	Grey

# UN-243-YZ Reverse lamp pre-wire extension

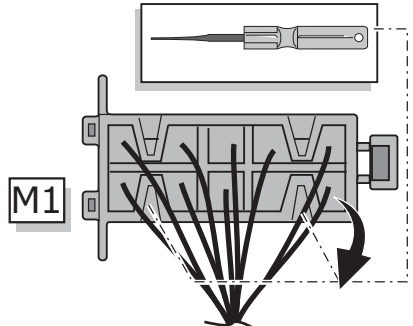
⚠ MAX = 21W



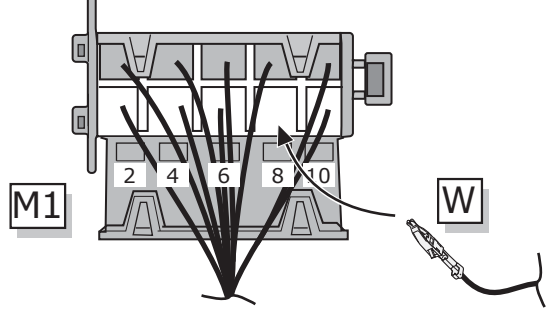
**A**



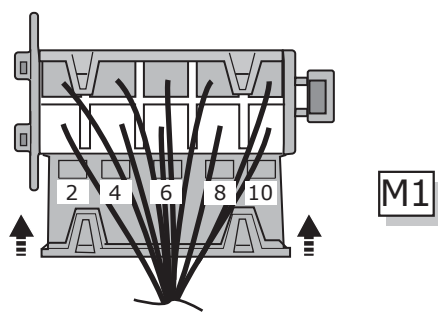
**2**



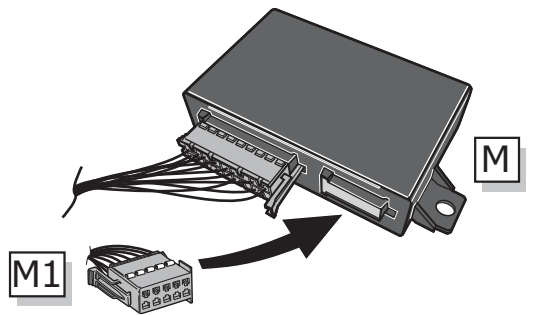
**3**



**4**



**5**



**B**

⚠ MAX = 21W

