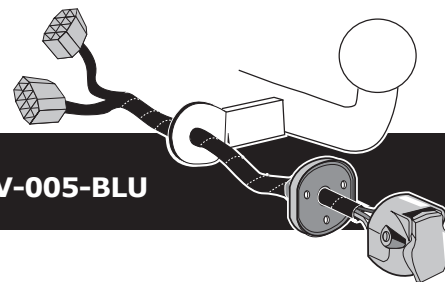


Daily Van 06/2014 >>
Daily Chassis Cab & Pick up 06/2014 >>
eDaily Van 07/2023 >>
eDaily Chassis Cab & Pick up 07/2023 >>

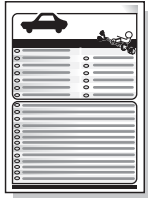
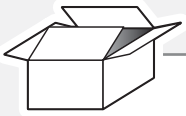


Partnr.: IV-005-BLU

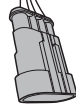
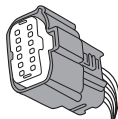
- Fitting instructions electric wiring kit tow bar with 12-N socket up to DIN/ISO Norm 1724.
- We would expressly point out that assembly not carried out properly by a competent installer will result in cancellation of any right to damage compensation, in particular those arising by virtue of the product liability act.
- Contents of these kits and their fitting manuals are subject to alteration without notice, please ensure that these instructions are read and fully understood before commencing installation.
- Do not overload circuits; the maximum loads per connection are detailed in this manual.
- Attention! Before Installation, please read this manual carefully and inform your customer to consult the vehicle owners manual to check for any vehicle modifications required before towing.
- In the event of functional problems, troubleshooting must be limited to about 0.5 hours, contact the technical support:
ukts@ecs-electronics.com / 07440 202 052.



Part list

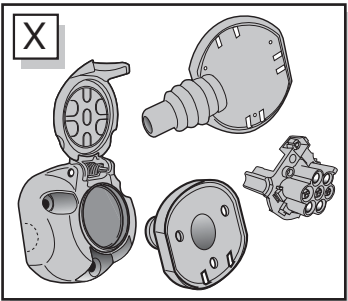


L1



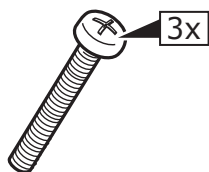
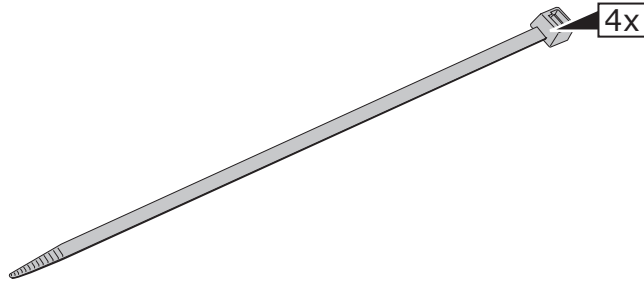
L2

X



X

4x

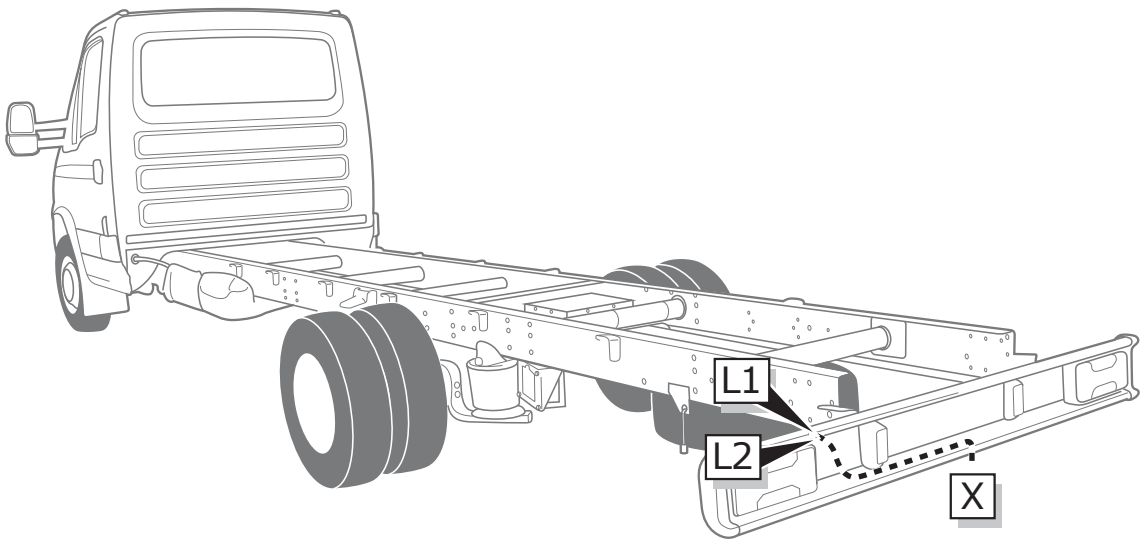


3x

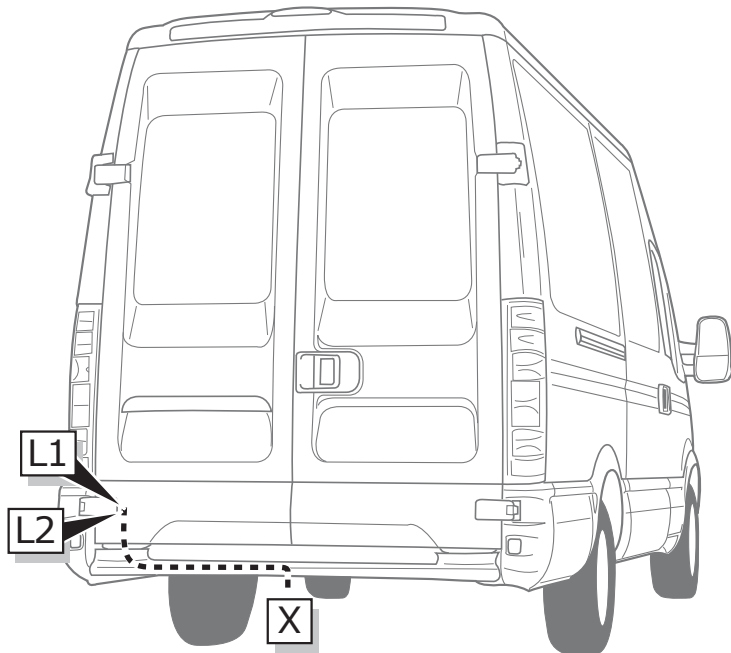


3x

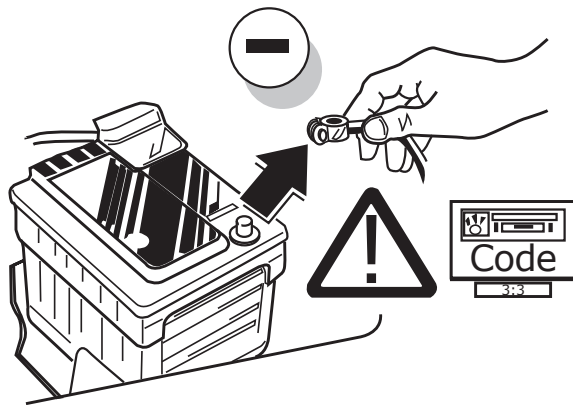
Iveco Daily chassis



Iveco Daily van

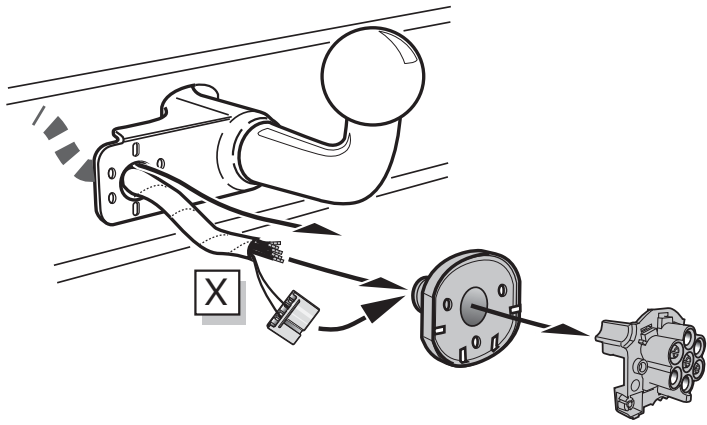


1

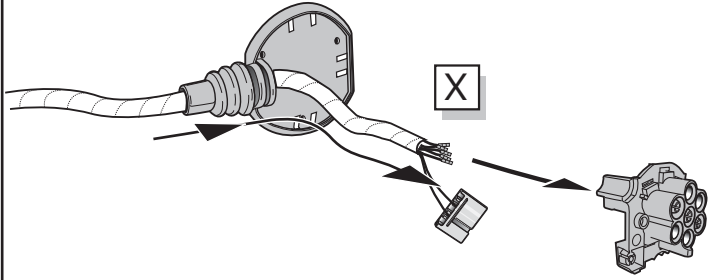


A

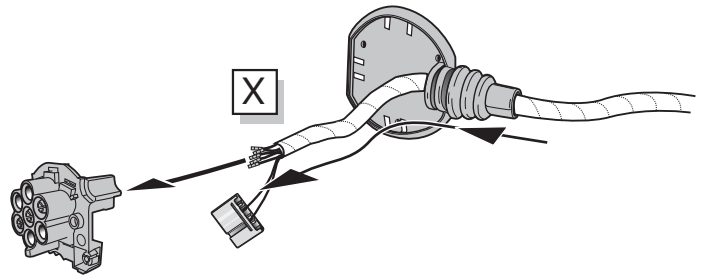
Option 1



Option 2



Option 3

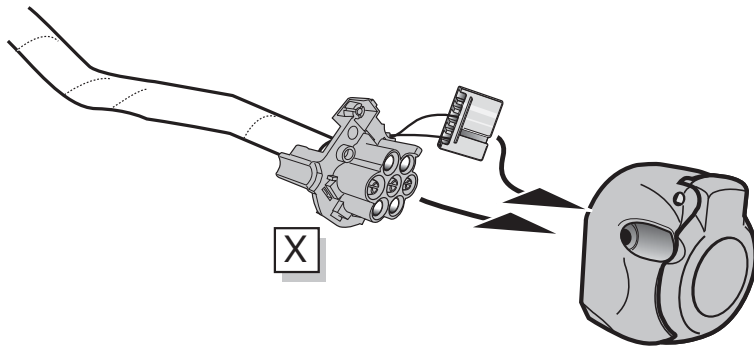


INFO

SOCKET CONNECTION 

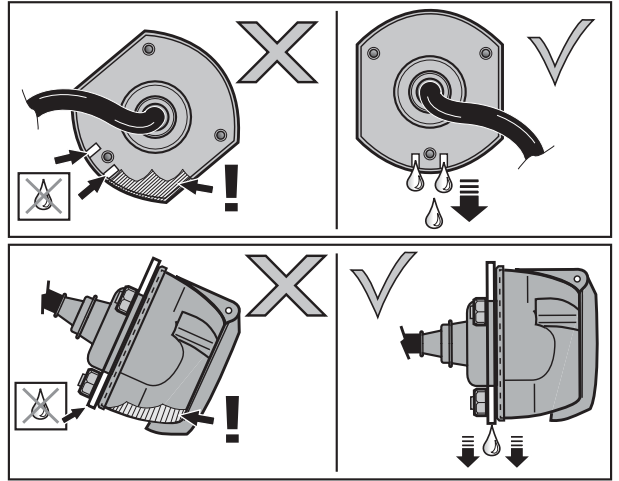
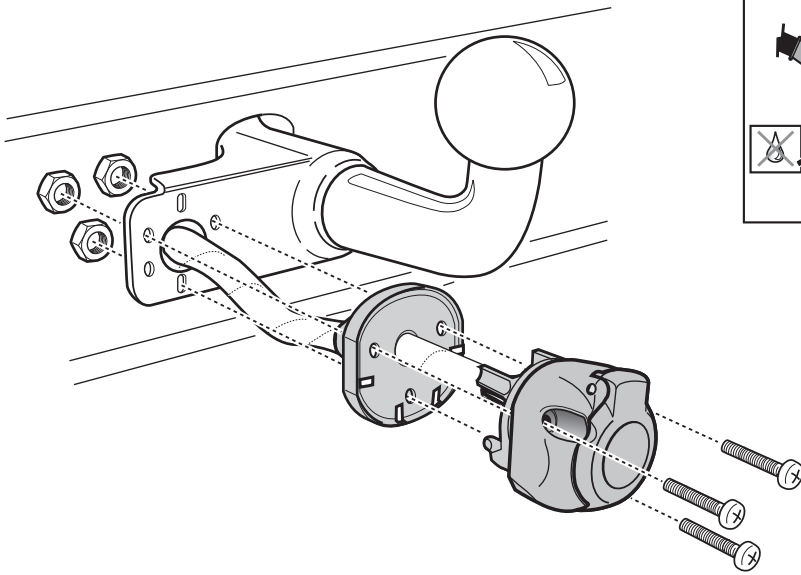
Page 7

B



C

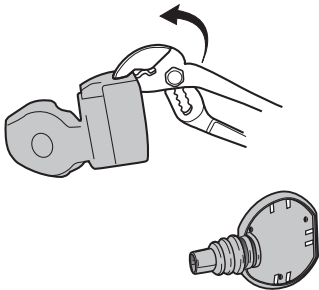
Option 1



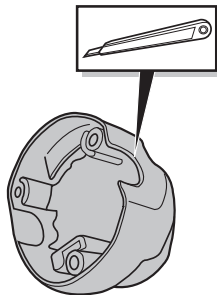
D

Option 2

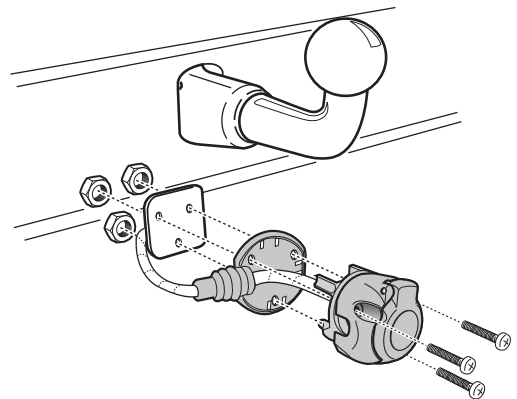
1



2



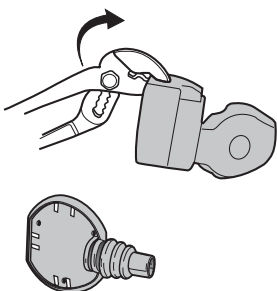
3



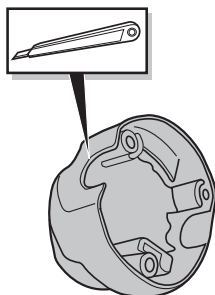
E

Option 3

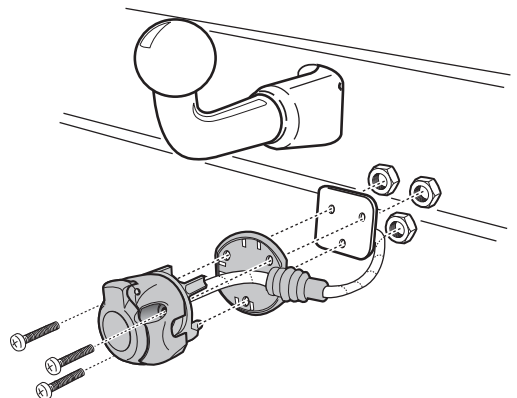
1



2

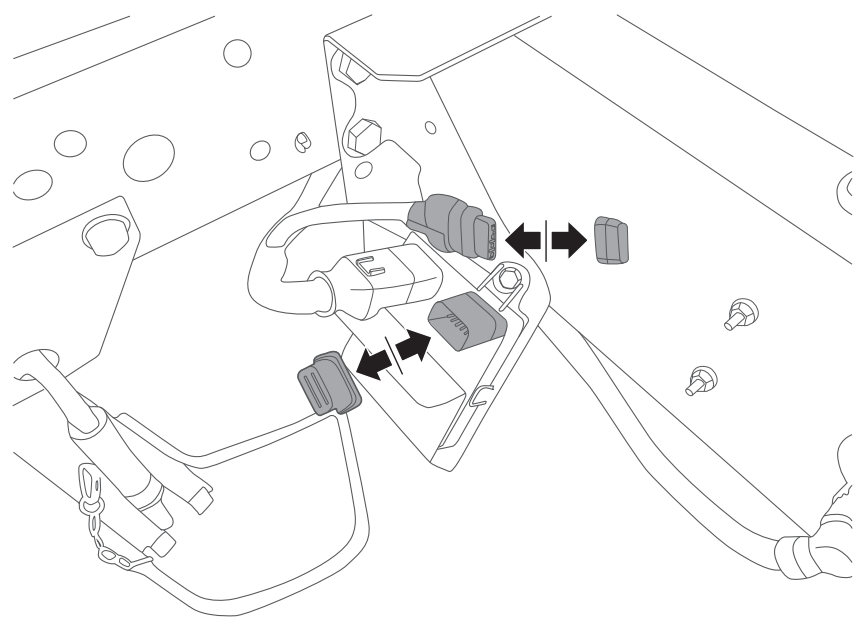
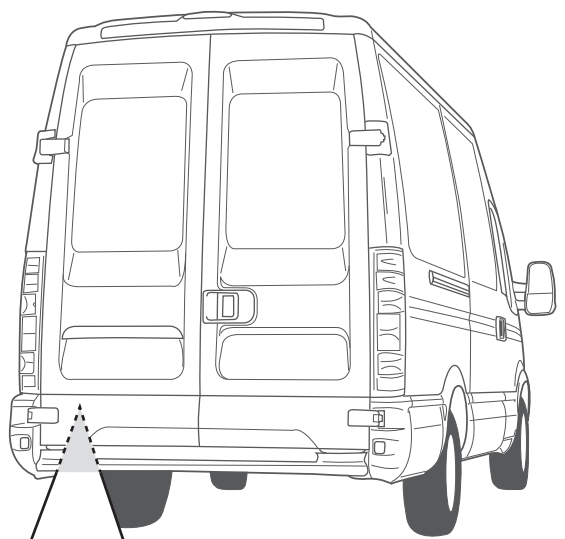
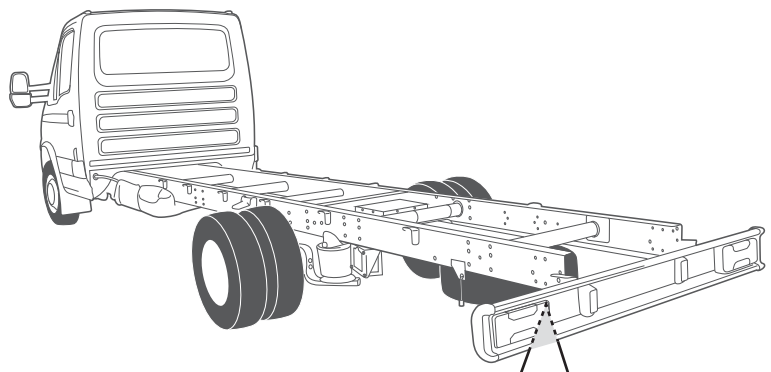


3

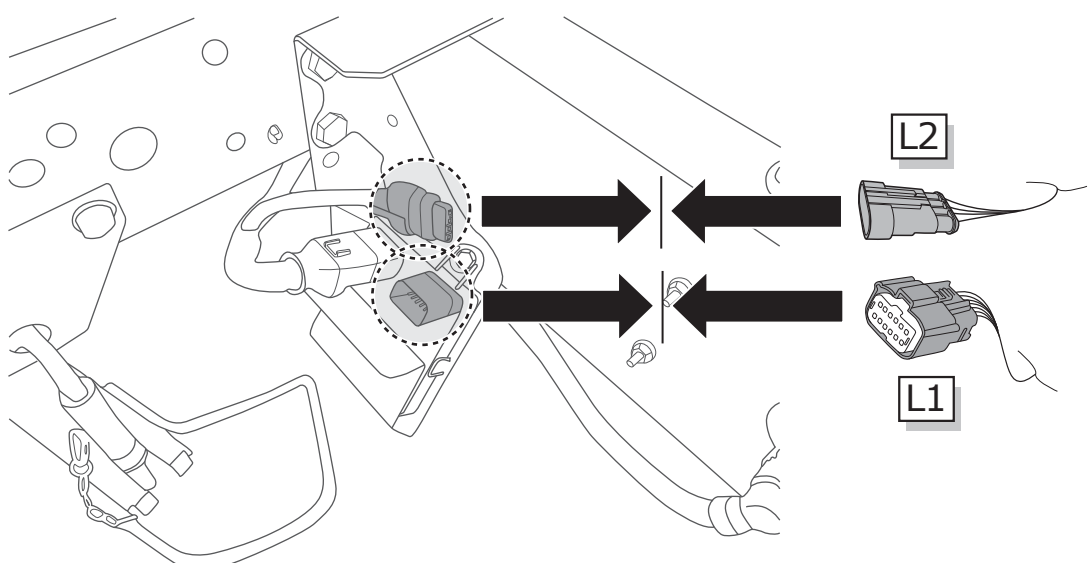


Iveco Daily chassis

Iveco Daily van

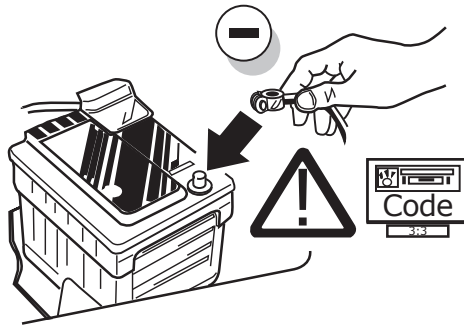


1



2

3



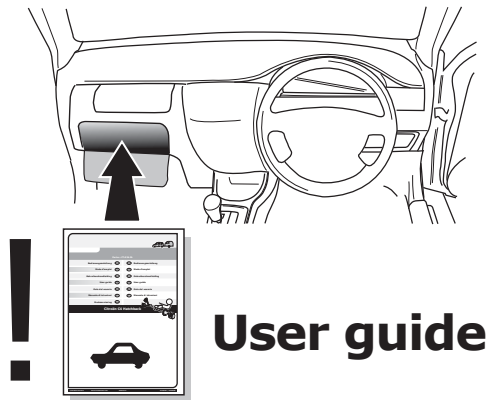
4

TEST ALL THE CIRCUITS WITH A TEST DEVICE WITH THE CORRECT POWER LOAD FOR EACH FUNCTION. A TEST DEVICE WITH LED'S CANNOT BE USED FOR THIS PURPOSE.

INFO

REINSTALL TRIM.

5



User guide



INFO

SOCKET CONNECTION

DIN/ISO 1724							
Pmax	1/L	2	3/31	4/R	5/58-R	6/54	7/58-L
Colour	21W	2x21W		21W	52W	3x21W	52W
	Yellow	Blue	White	Green	Brown	Red	Black