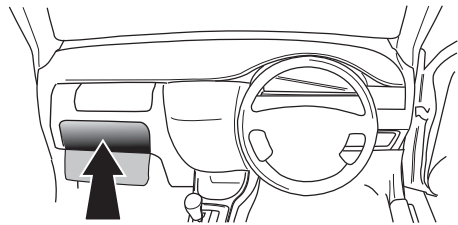
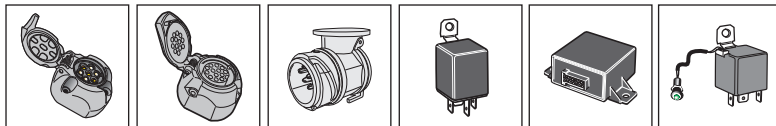


! INFO !

Do not charge the battery of the towing vehicle and/or towed vehicle directly via the socket.



User guide



SPARE PARTS

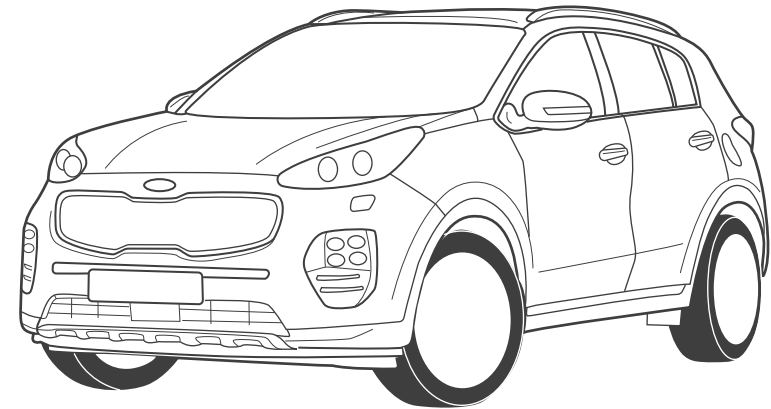
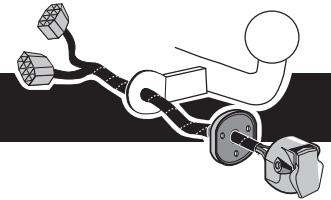
www.ecs-electronicsuk.co.uk

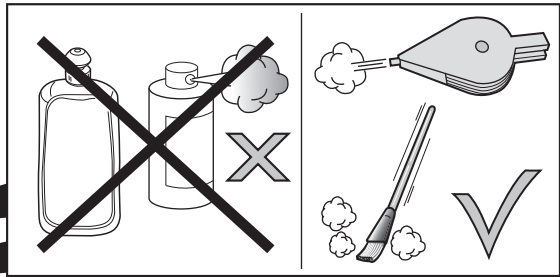
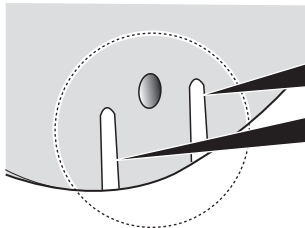
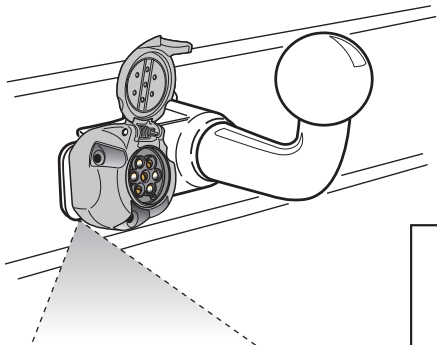
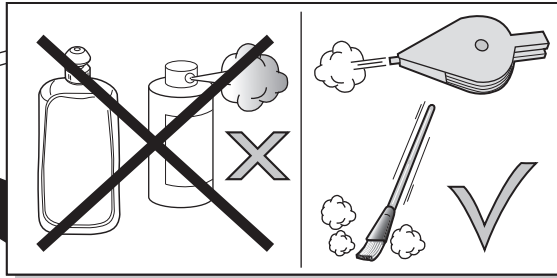
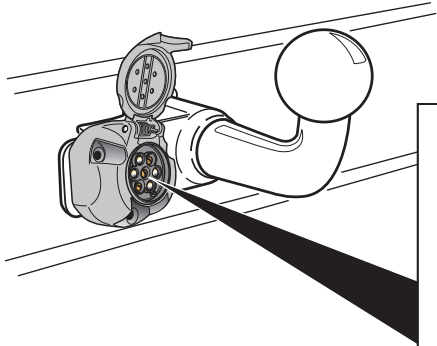
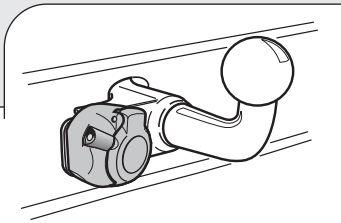


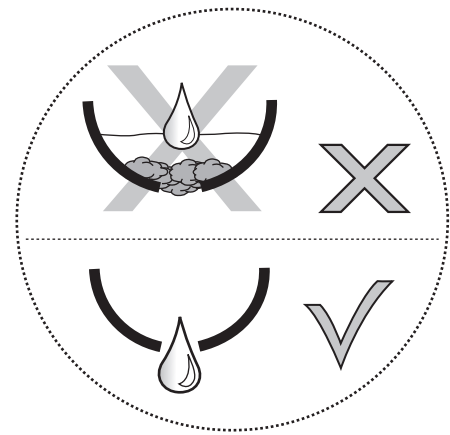
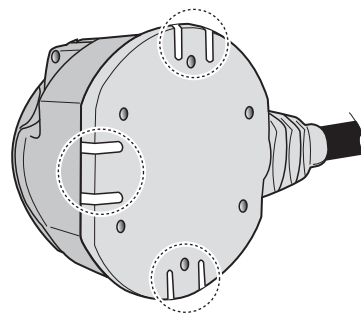
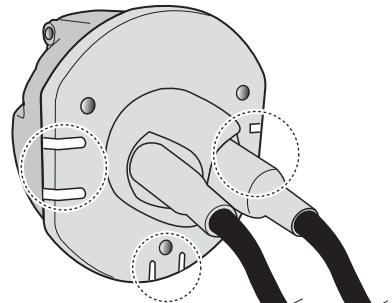
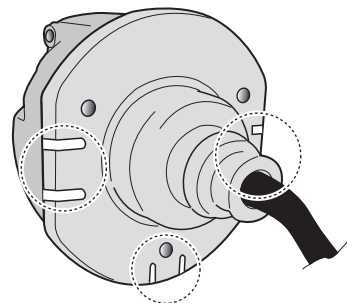
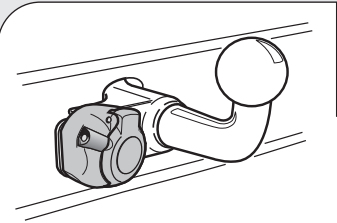
Partnr.: KI-087-BHU

User Guide

Kia Sportage QL 01/2016 >> 07/2018
Kia Sportage QL 08/2018 >>

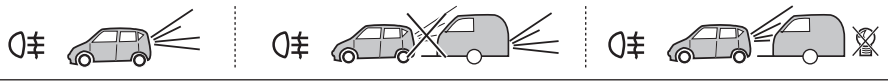




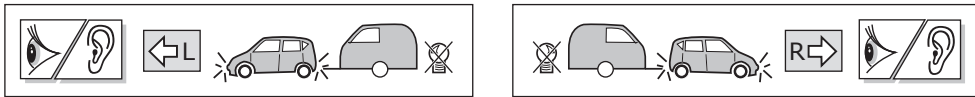


SOCKET CONNECTION

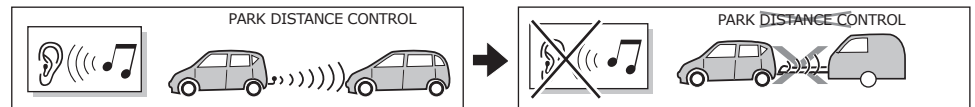
| | | | | | | | |
|--------------|--------|------|-------|-------|--------|-------|--------|
| DIN/ISO 1724 | | | | | | | |
| | 1/L | 2 | 3/31 | 4/R | 5/58-R | 6/54 | 7/58-L |
| Pmax | 21W | 21W | | 21W | 42W | 3x21W | 42W |
| Colour | Yellow | Blue | White | Green | Brown | Red | Black |



In a coupled trailer with working fog lamp, the fog lamp of the vehicle will be switched off, if applicable.



The flashing lights on the trailer are monitored. If one of the indicators of the trailer breaks down, a buzzer will be audible and/or a visual signal will be visible on the dashboard. Check the flashing lights on the trailer.



The wiring kit has a possibility to switch off any Park Distance Control in the case of a coupled trailer.

CHANGING THE FUSE

