

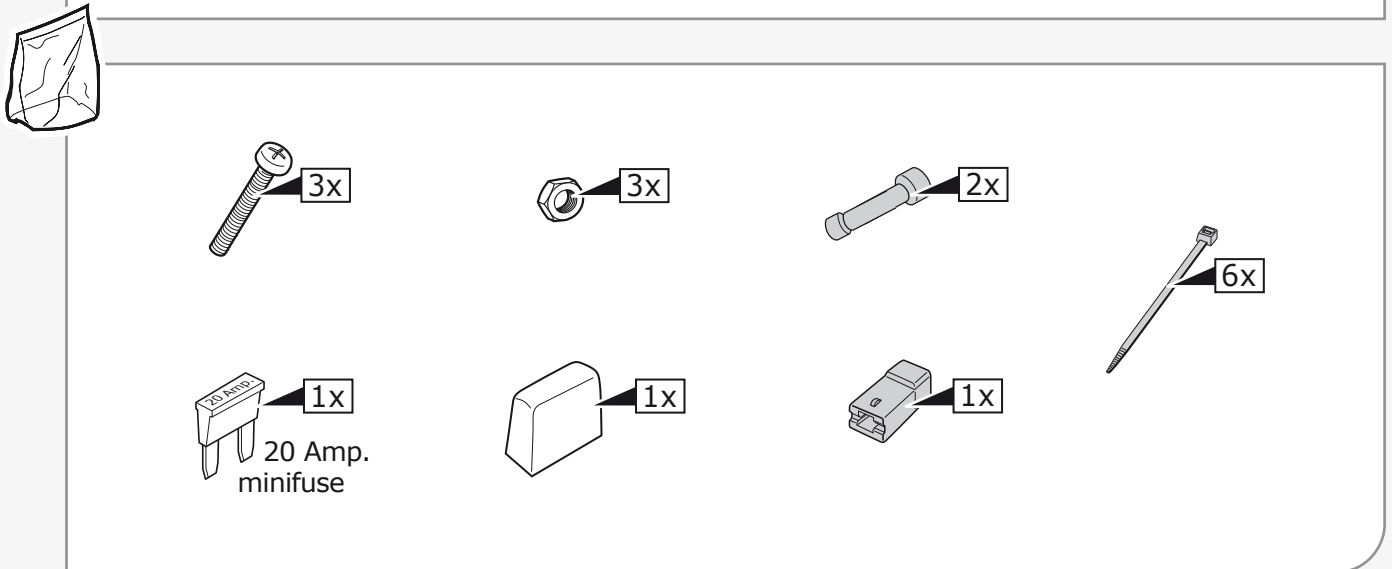
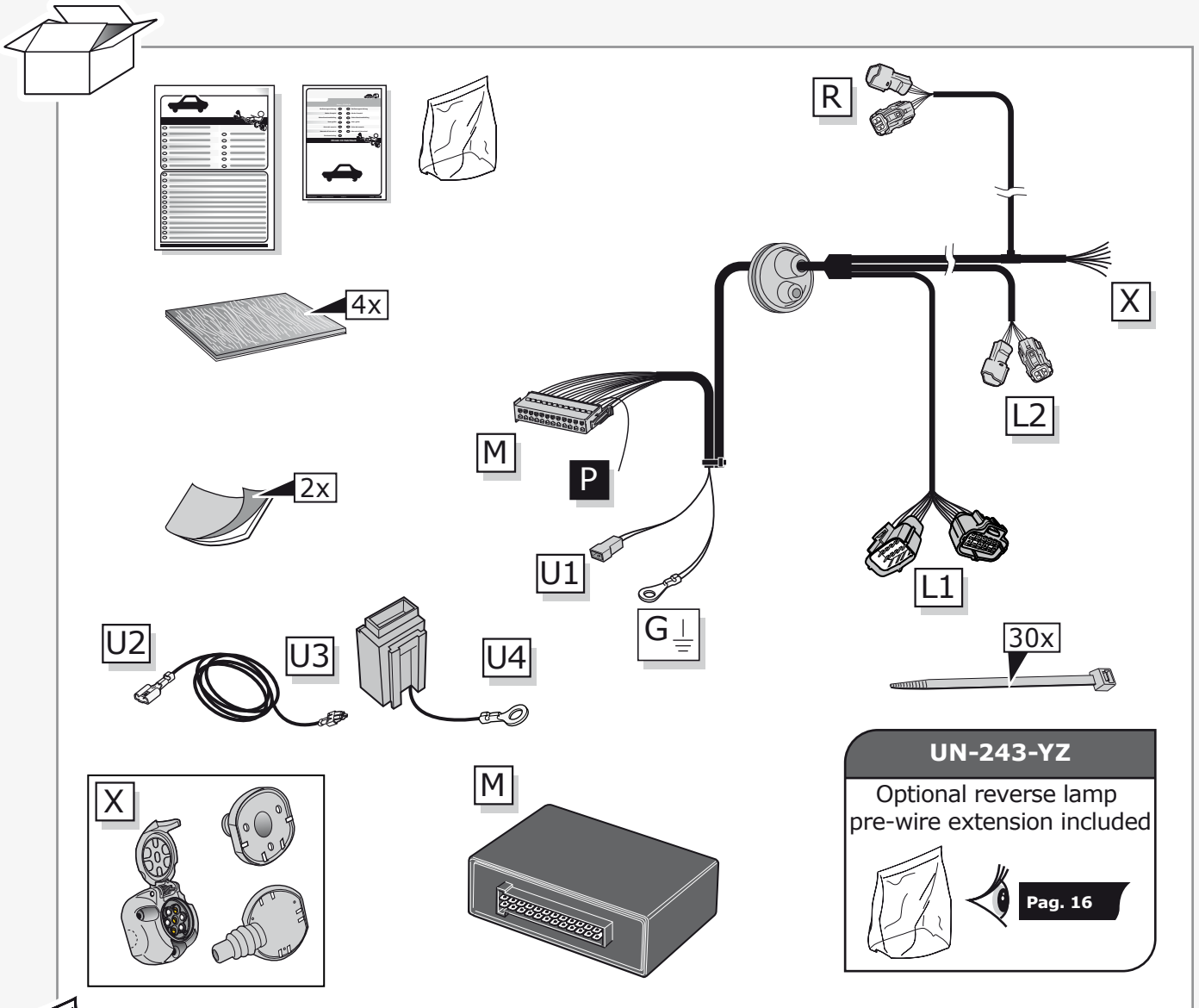
Kia Sportage QL 01/2016 >> 07/2018
Kia Sportage QL 08/2018 >>

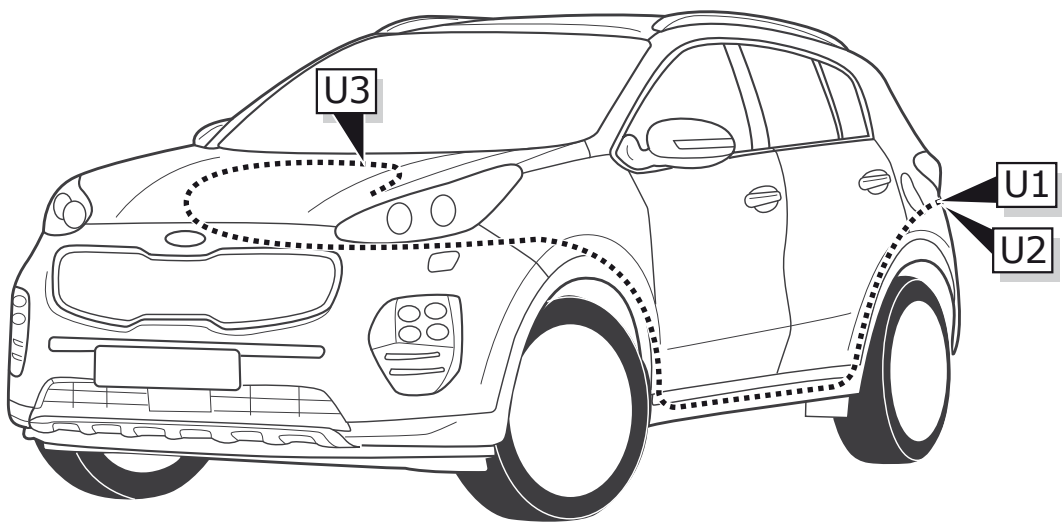
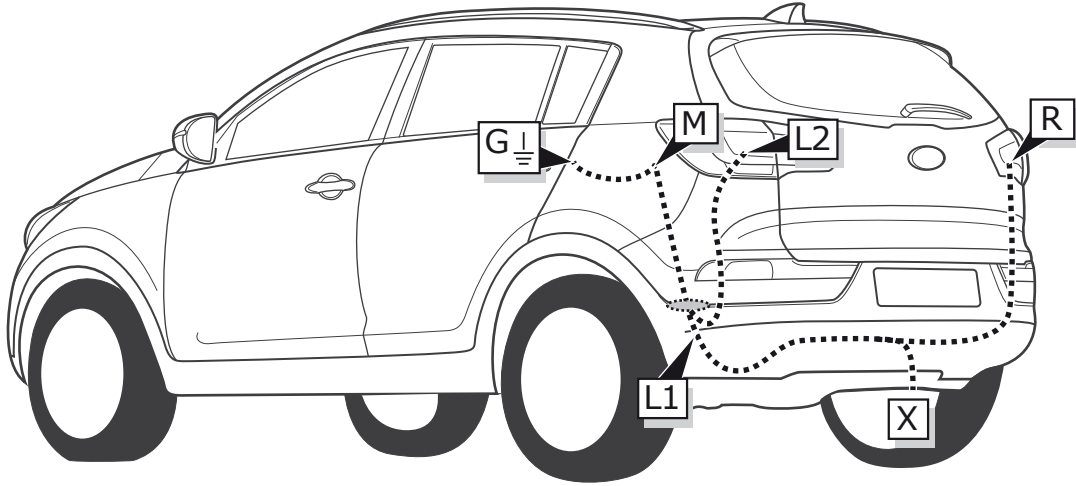
Partnr.: KI-087-BHU

- Fitting instructions electric wiring kit tow bar with 12-N socket up to DIN/ISO Norm 1724.
- We would expressly point out that assembly not carried out properly by a competent installer will result in cancellation of any right to damage compensation, in particular those arising by virtue of the product liability act.
- Contents of these kits and their fitting manuals are subject to alteration without notice, please ensure that these instructions are read and fully understood before commencing installation.
- Do not overload circuits; the maximum loads per connection are detailed in this manual.
- Attention! Before Installation, please read this manual carefully and inform your customer to consult the vehicle owners manual to check for any vehicle modifications required before towing.
- In the event of functional problems, troubleshooting must be limited to about 0.5 hours, contact the technical support:
ukts@ecs-electronics.com / 07440 202 052.

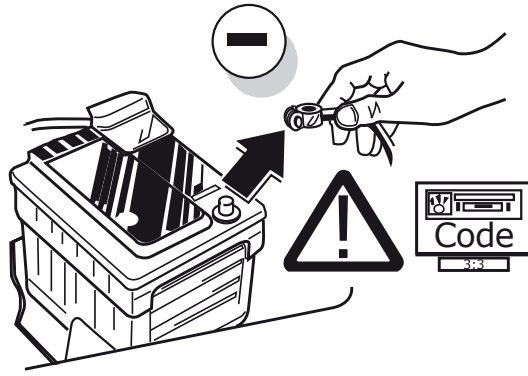


Part list

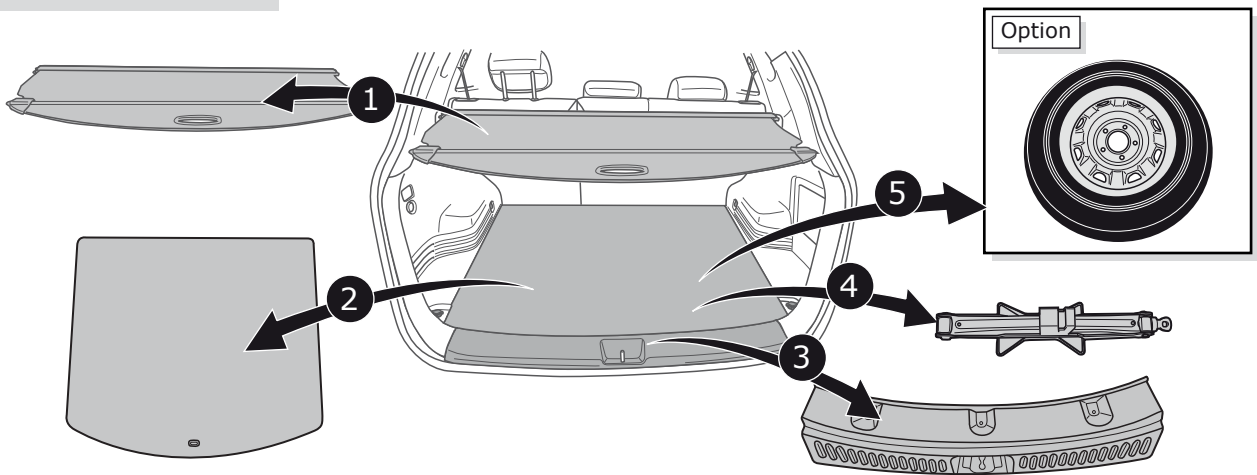
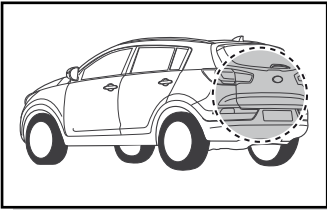




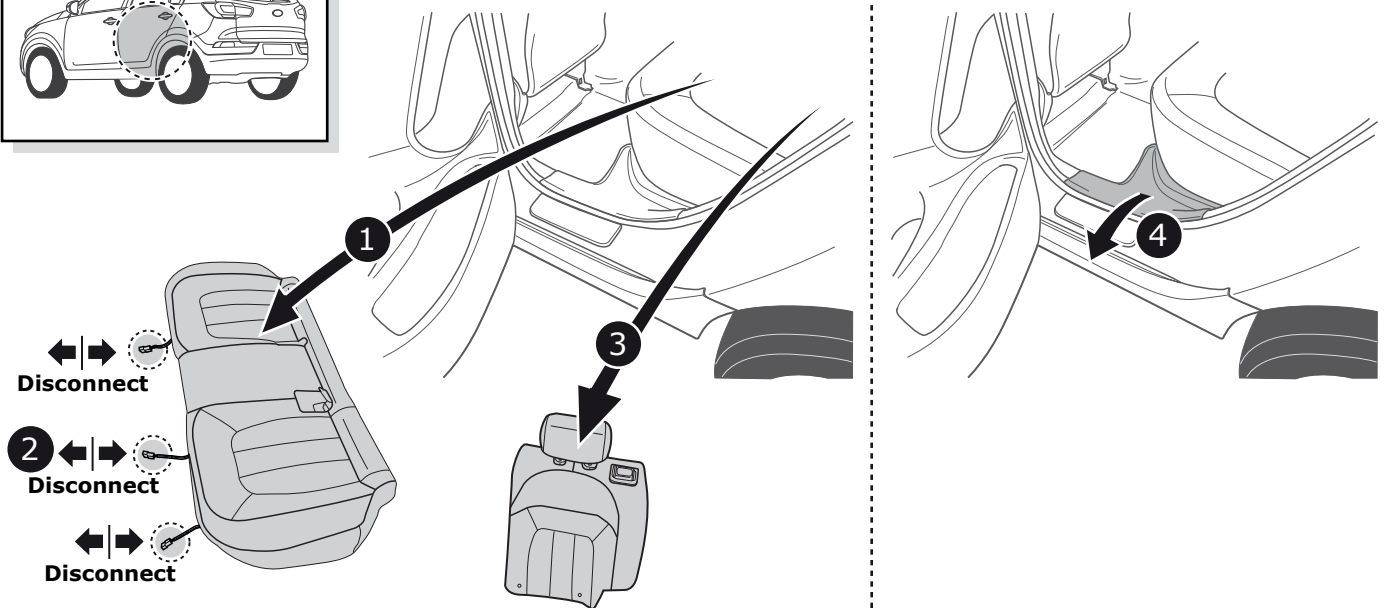
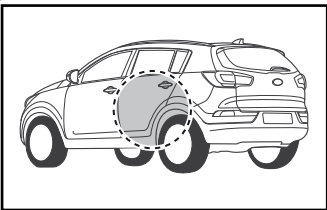
1



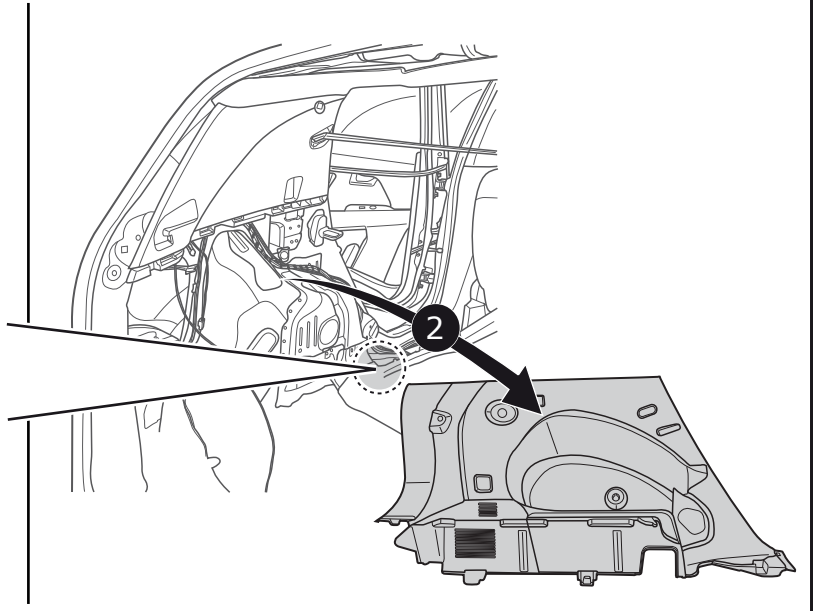
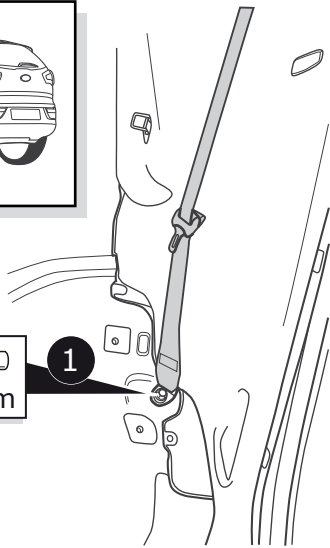
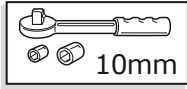
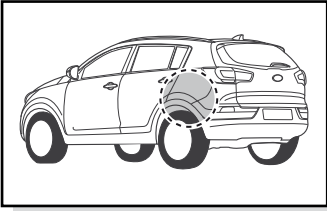
2



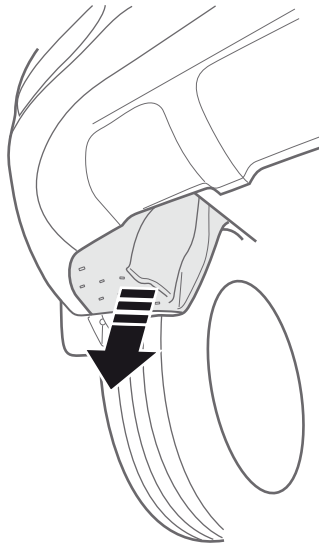
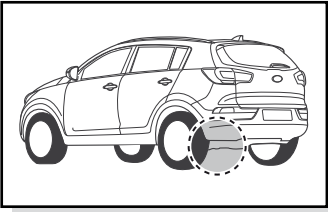
3



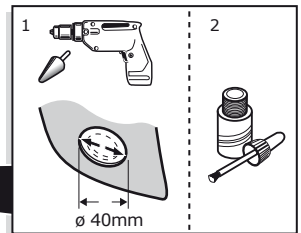
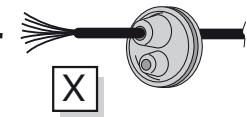
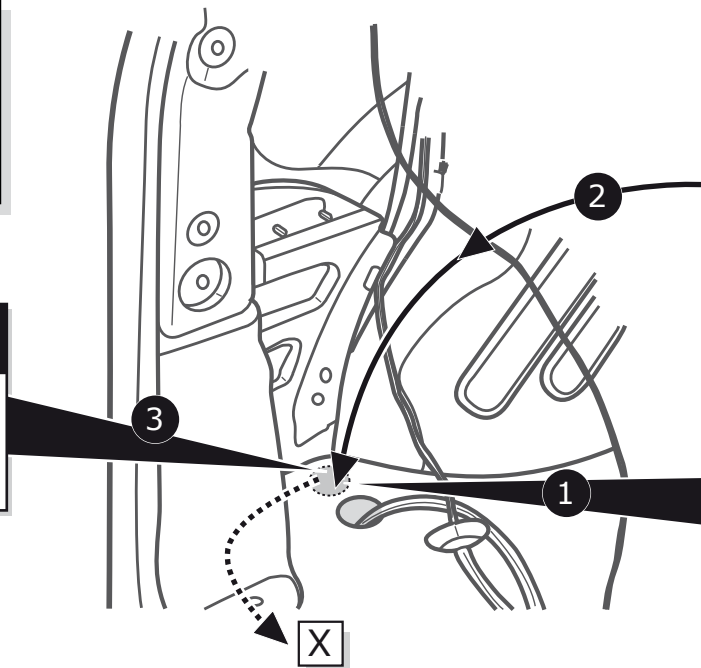
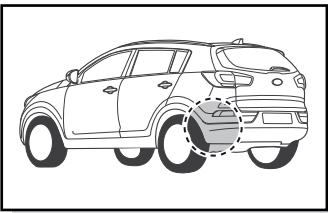
4

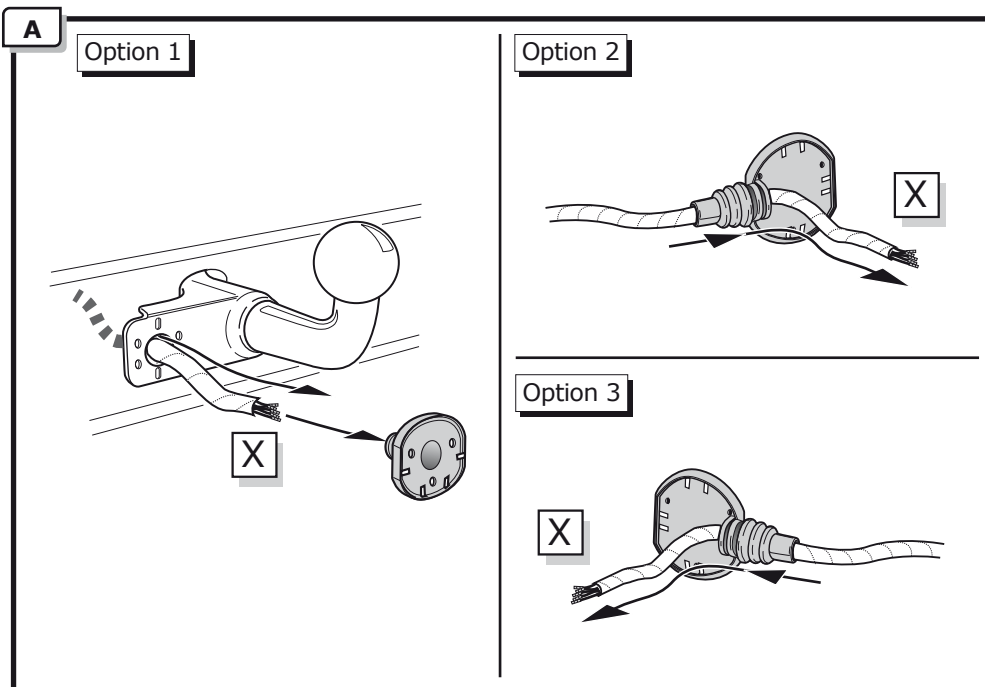


5



6

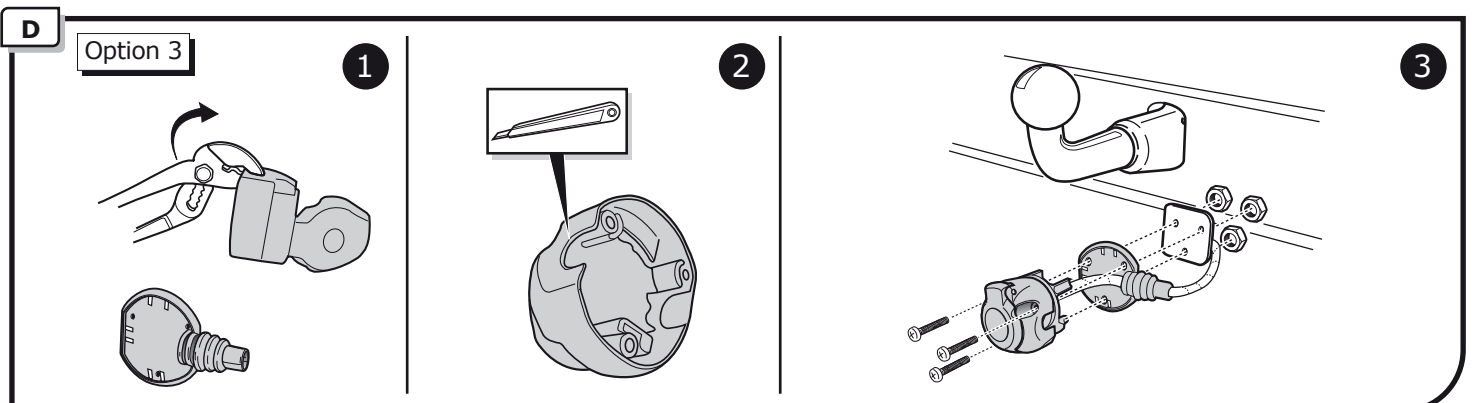
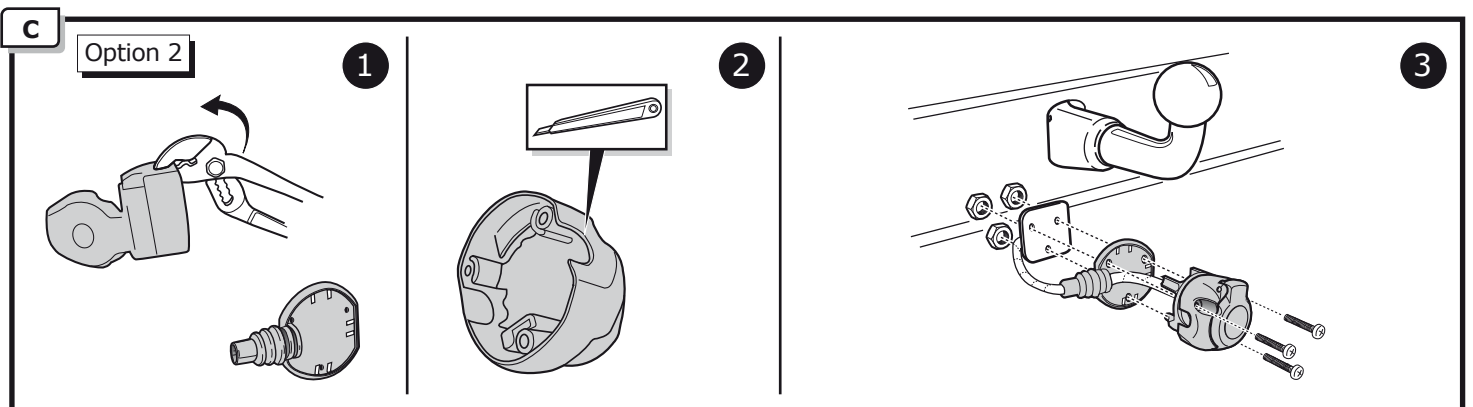
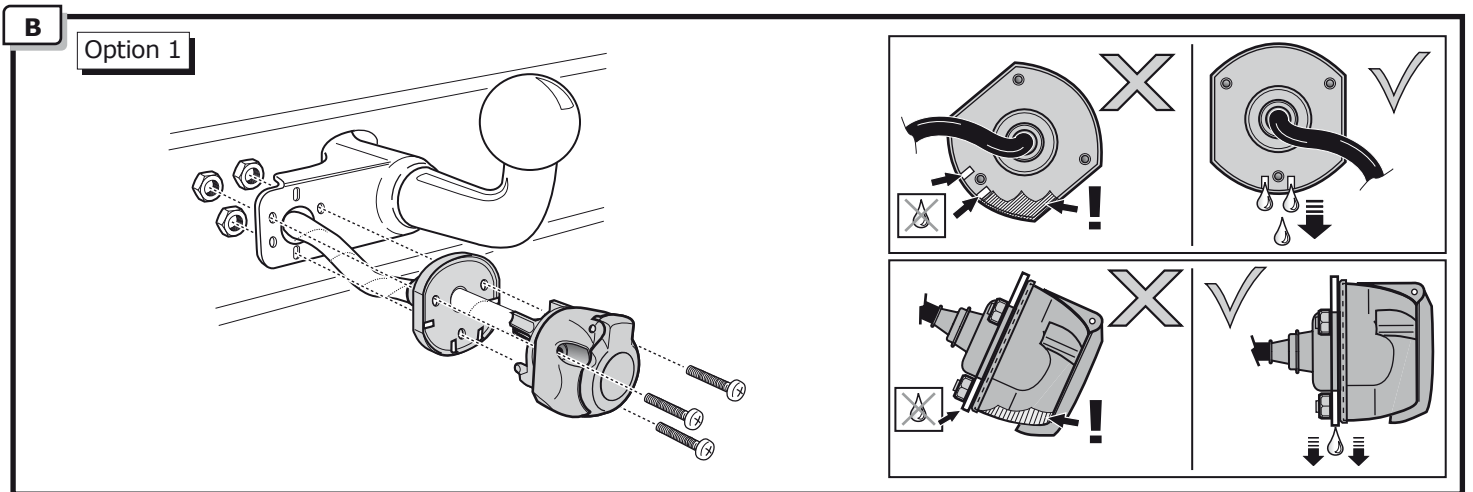




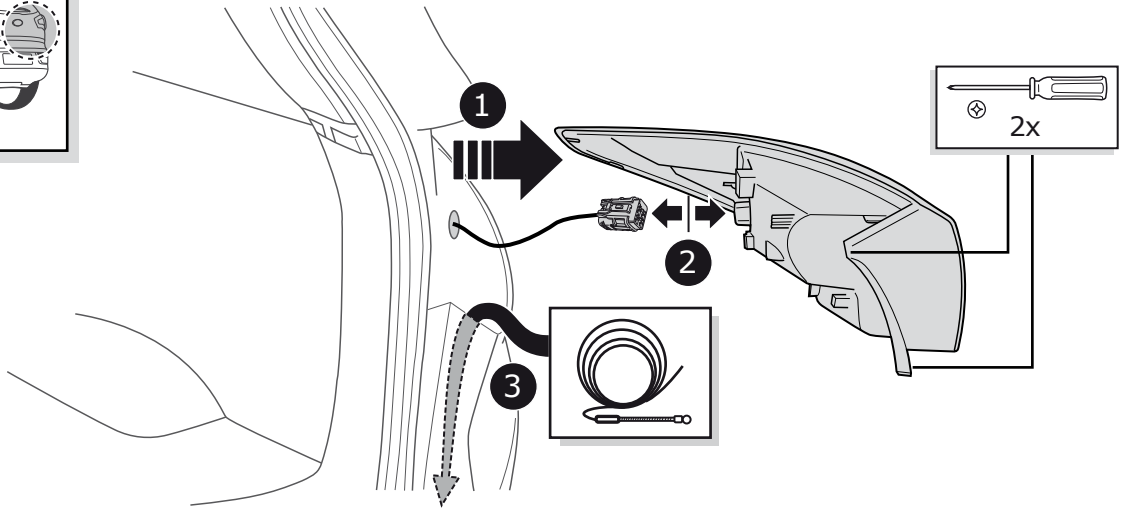
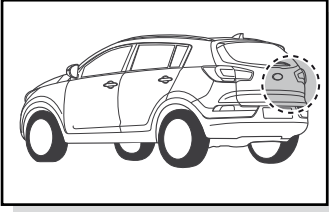
INFO

SOCKET CONNECTION

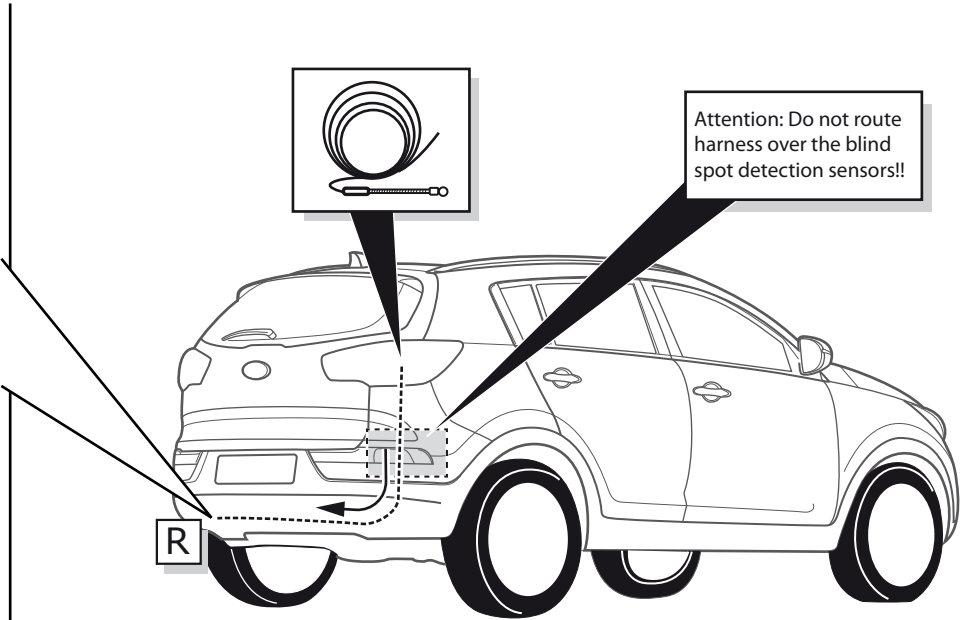
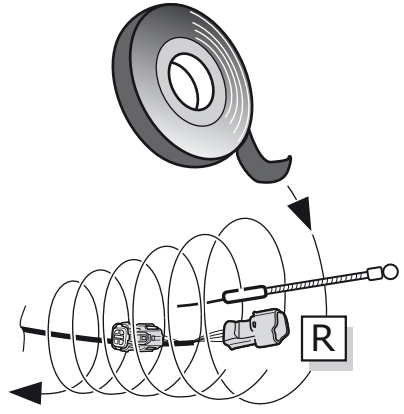
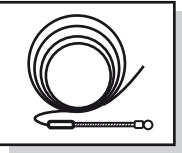
Pag. 14



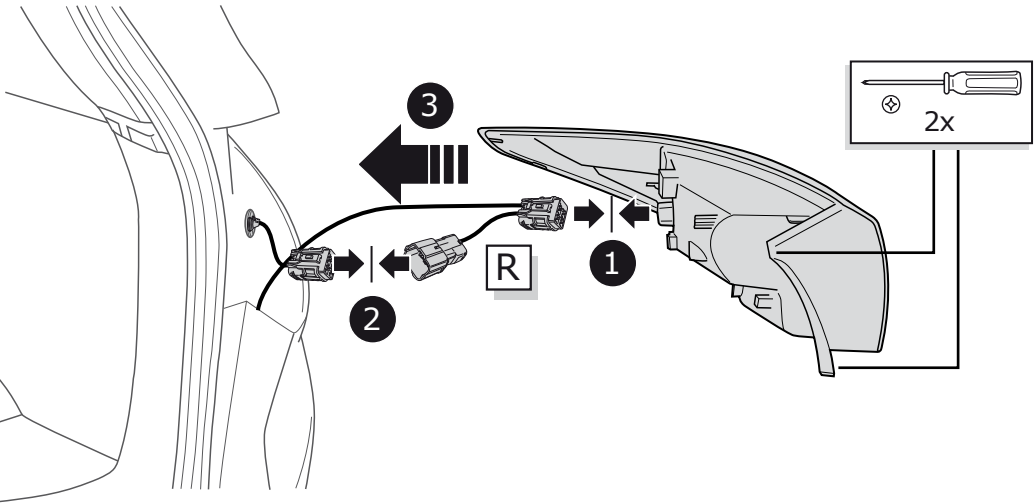
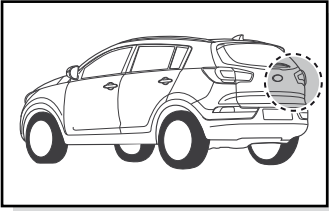
7



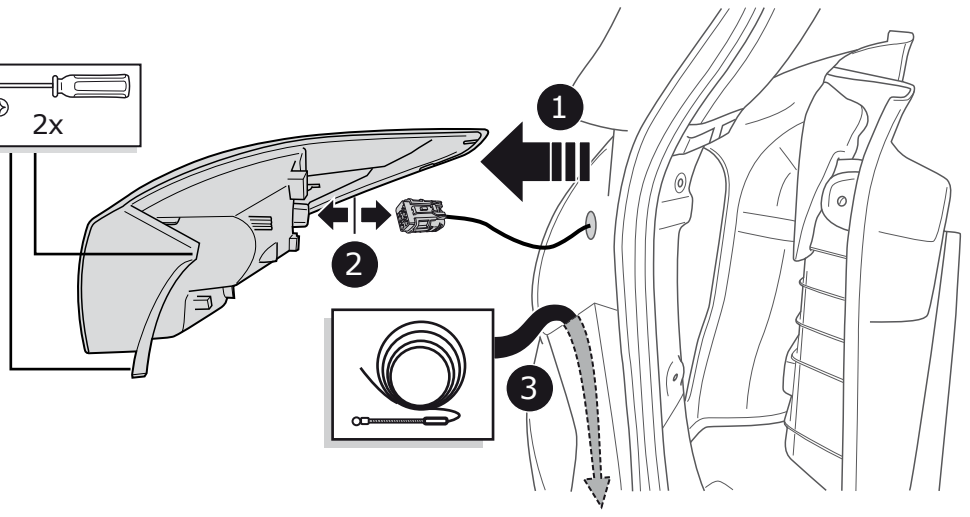
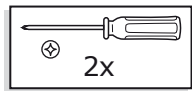
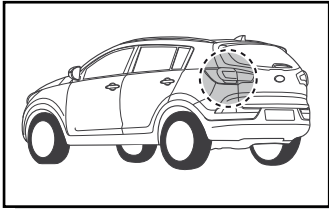
8



9

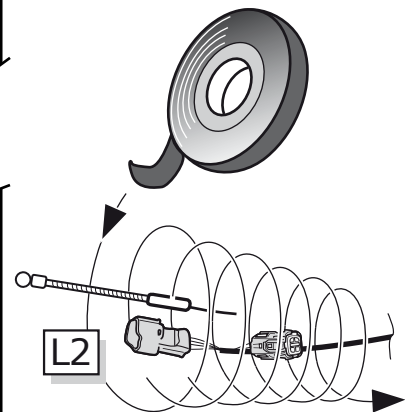
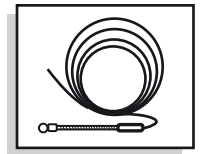
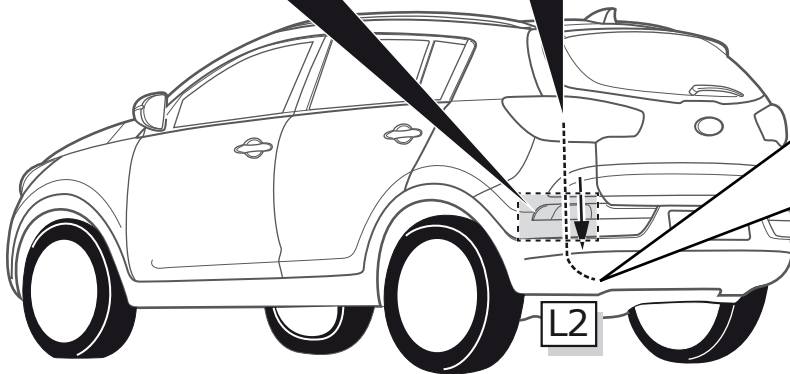
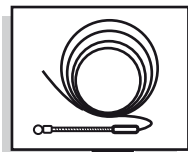


10

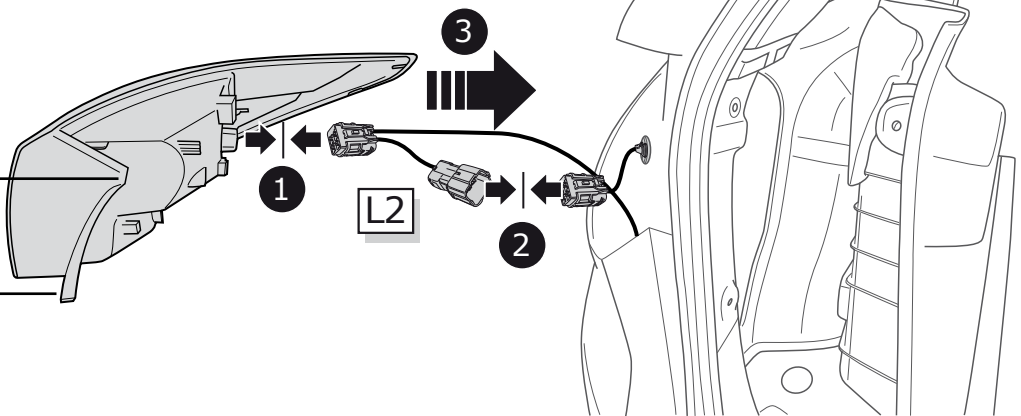
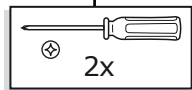
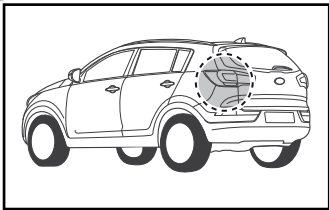


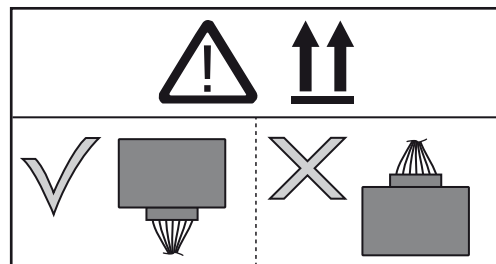
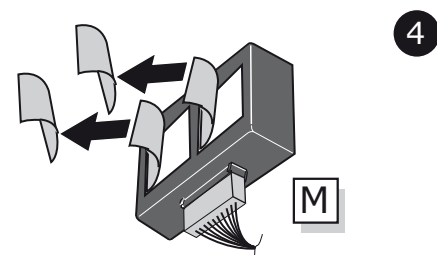
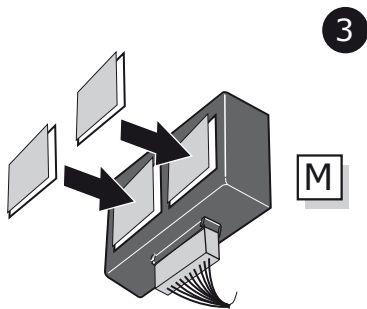
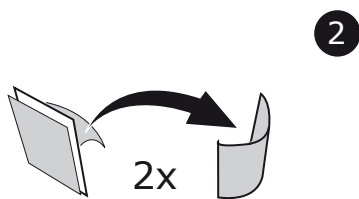
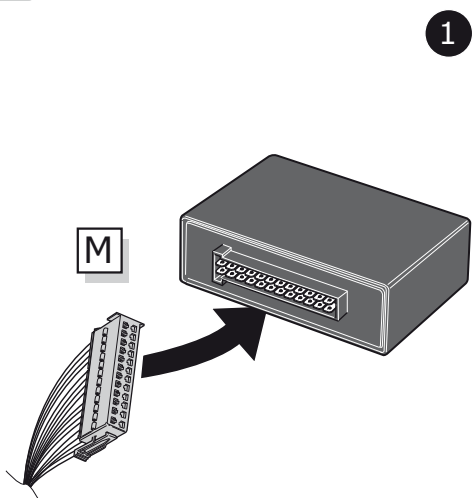
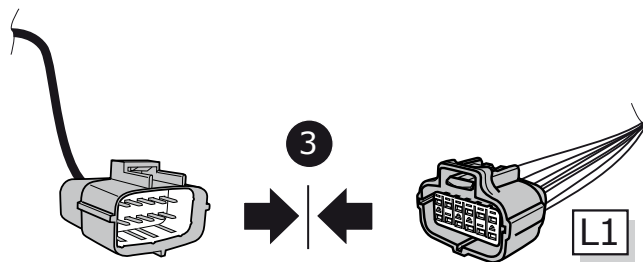
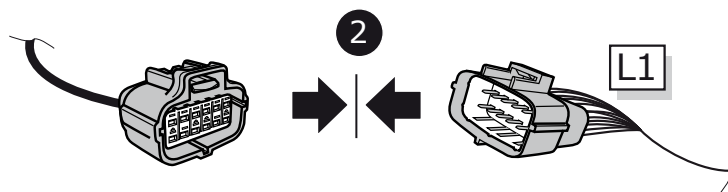
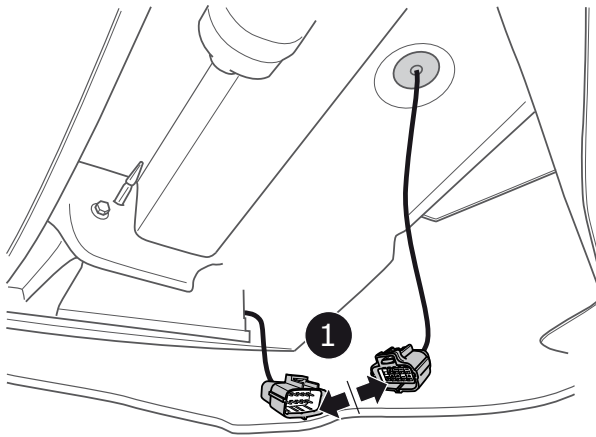
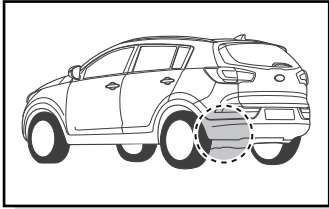
11

Attention: Do not route harness over the blind spot detection sensors!!

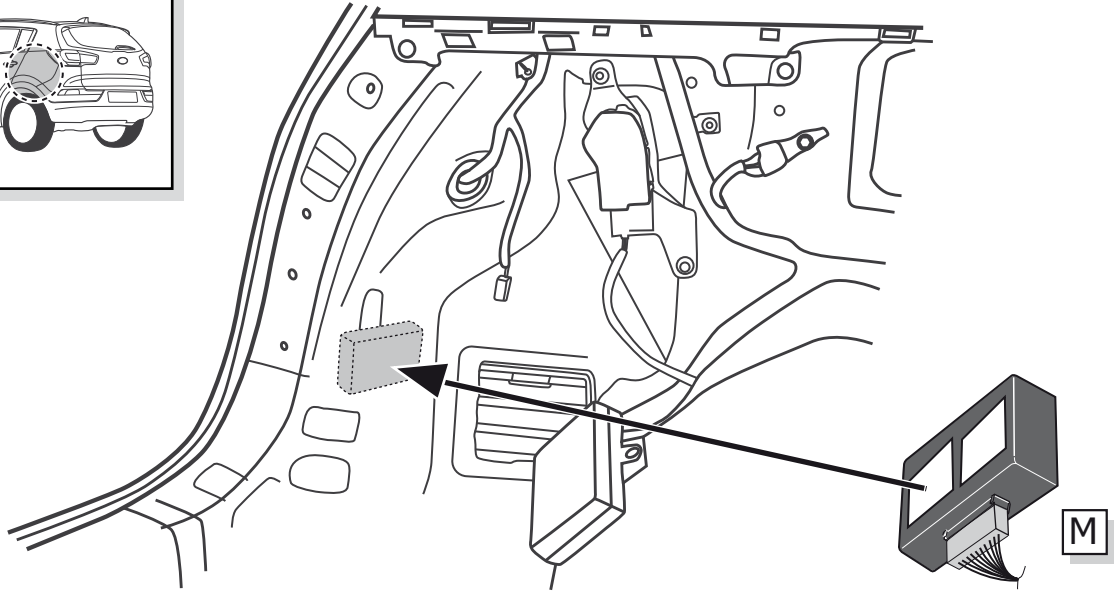
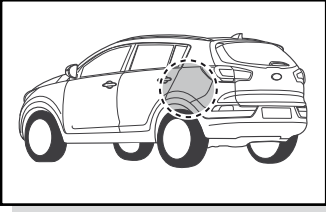


12

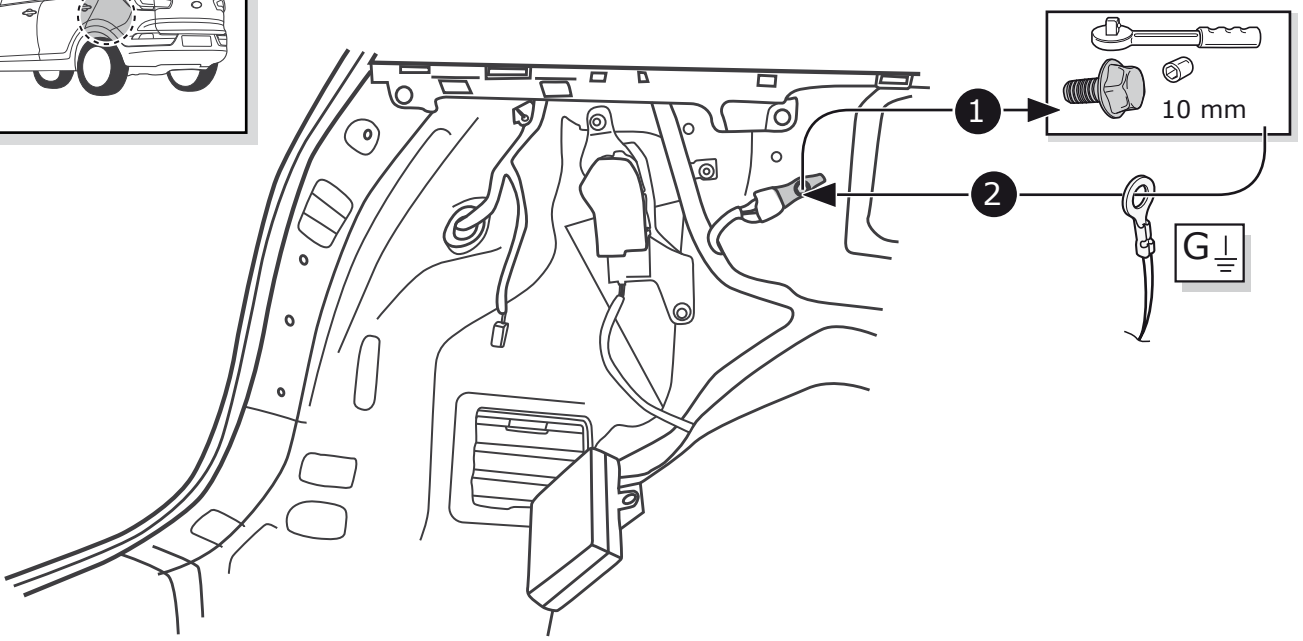
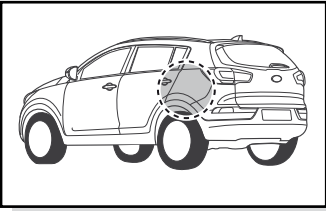




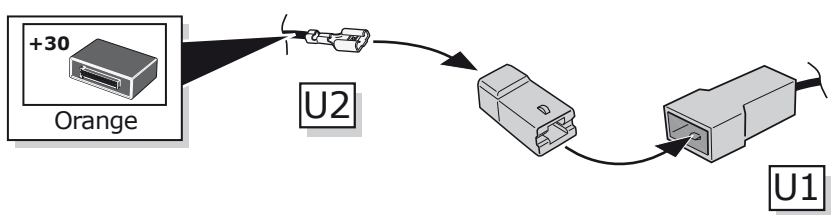
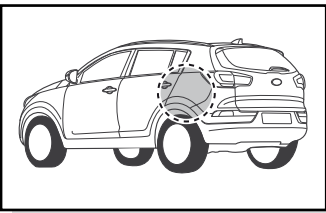
15

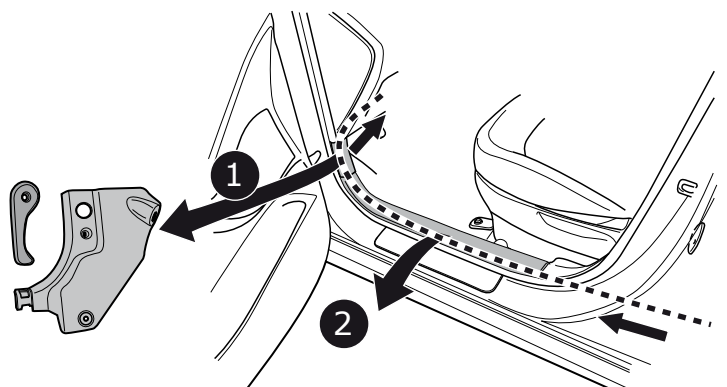
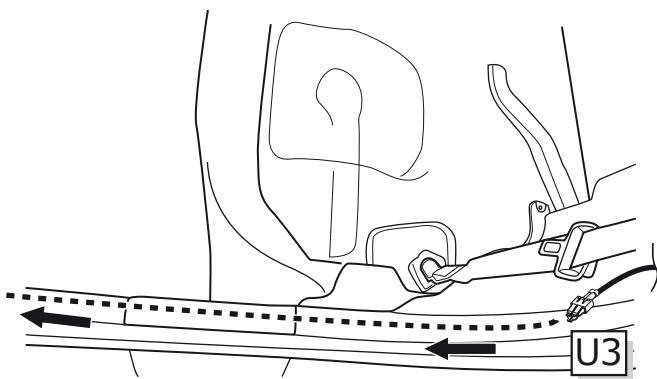
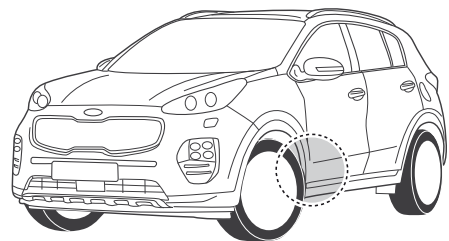
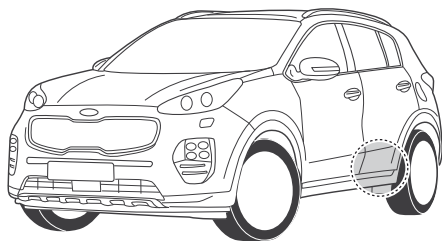
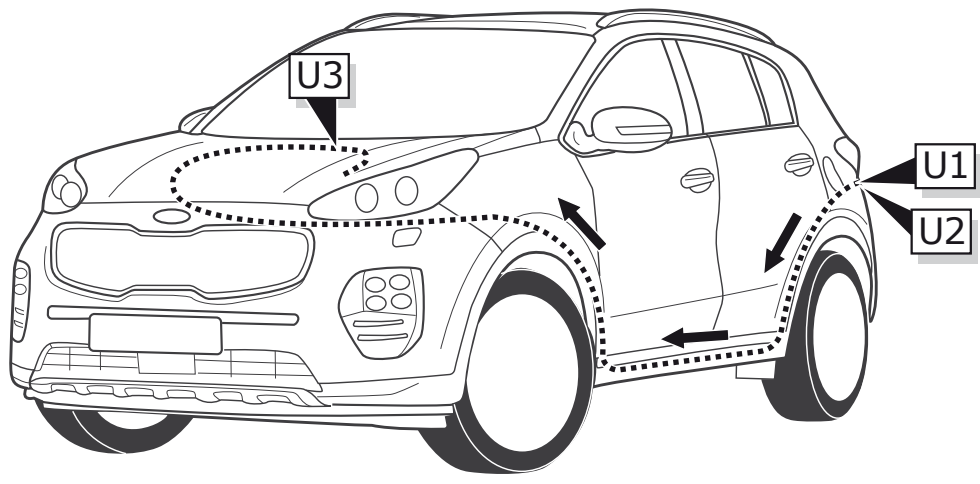


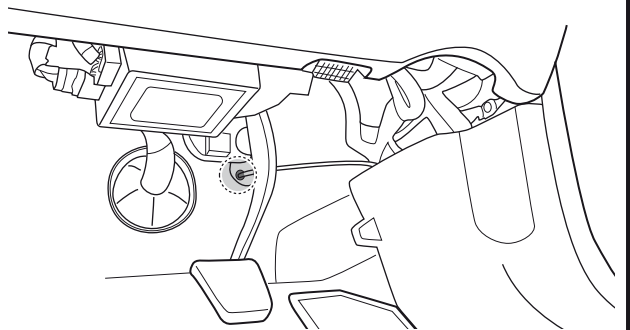
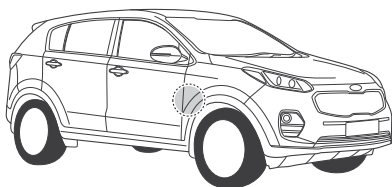
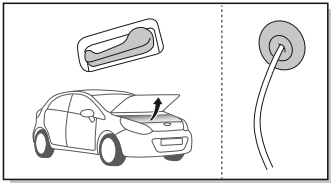
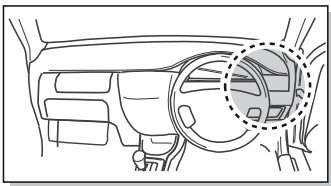
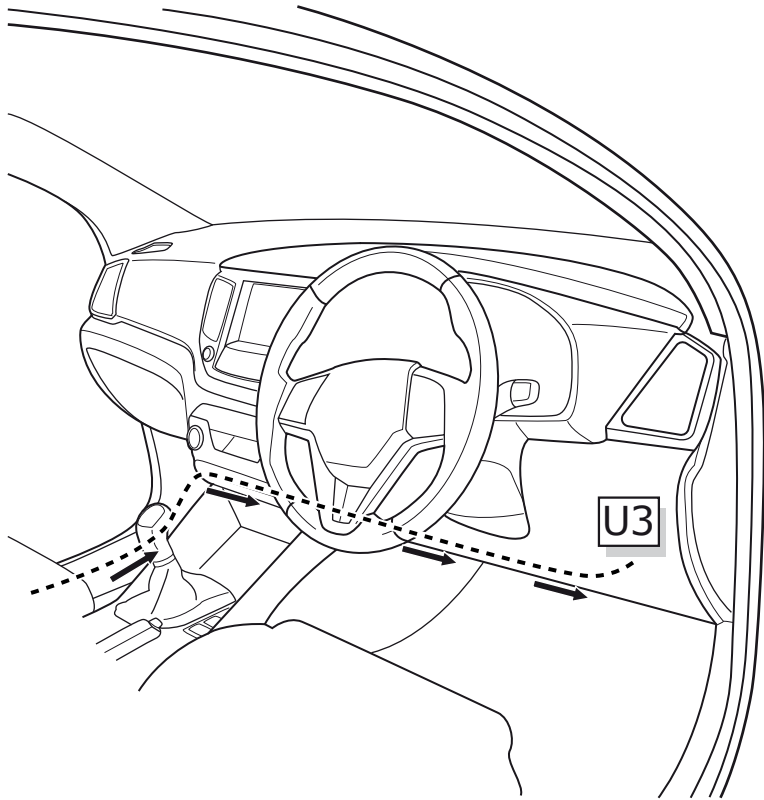
16



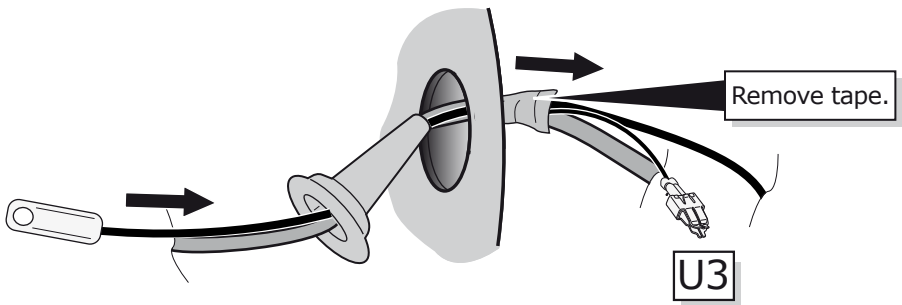
17



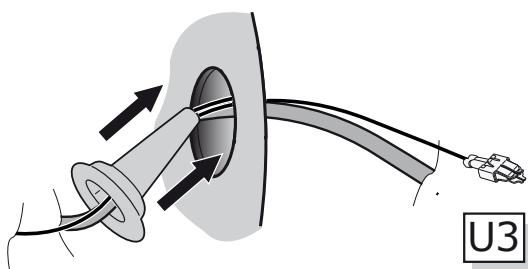




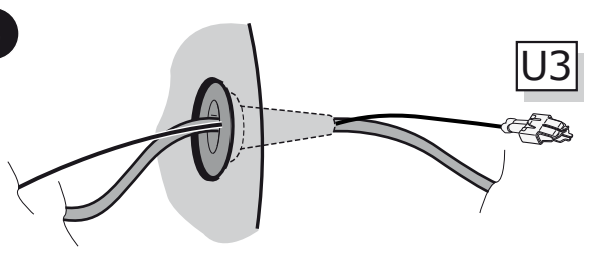
1



2

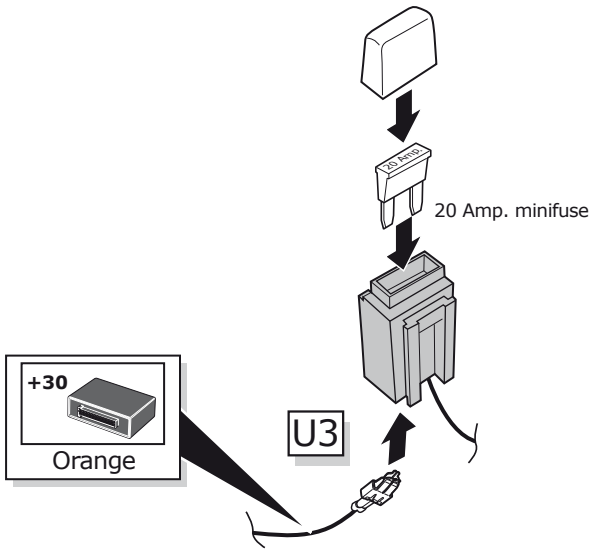


3



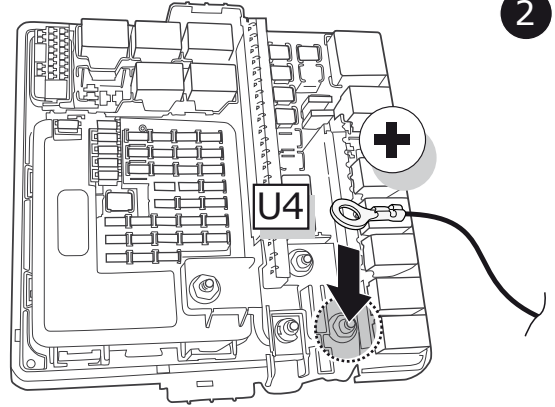
22

1



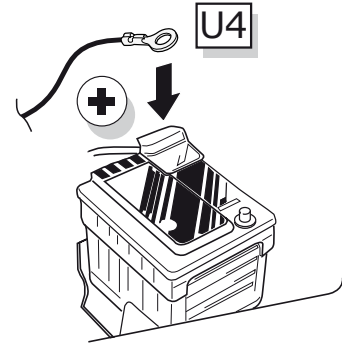
Option 1

2

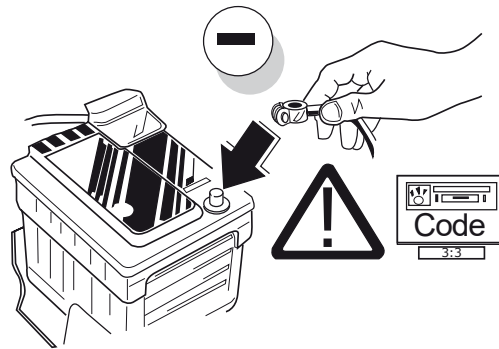


Option 2

2



23

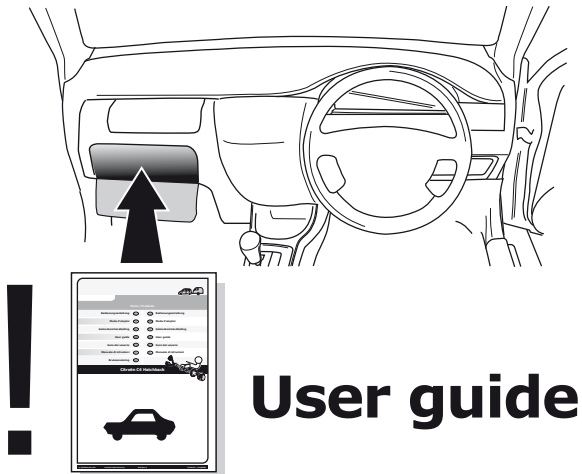


24

TEST ALL THE CIRCUITS WITH A TEST DEVICE WITH THE CORRECT POWER LOAD FOR EACH FUNCTION. A TEST DEVICE WITH LED'S CANNOT BE USED FOR THIS PURPOSE.

REINSTALL TRIM.

25



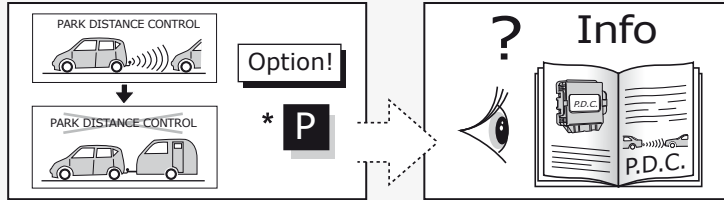
User guide



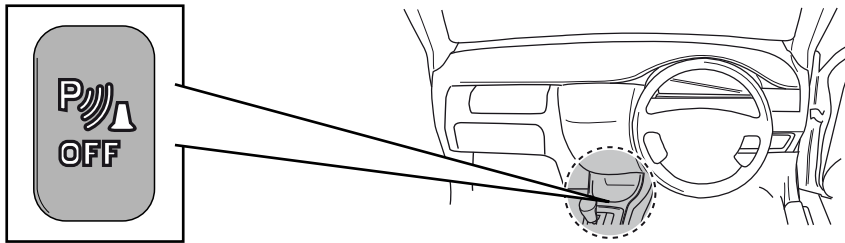
SOCKET CONNECTION

DIN/ISO 1724							
	1/L	2	3/31	4/R	5/58-R	6/54	7/58-L
Pmax	21W	21W		21W	42W	3x21W	42W
Colour	Yellow	Blue	White	Green	Brown	Red	Black

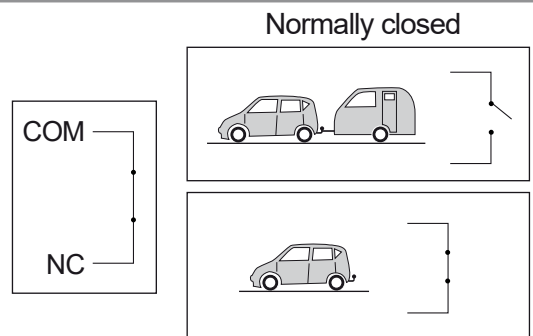
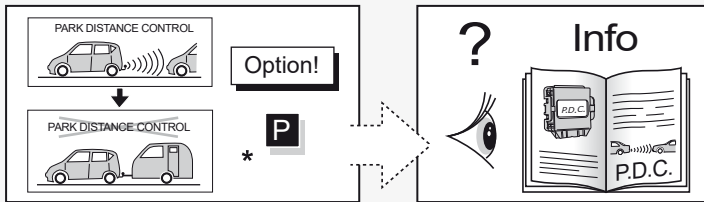
Option 1



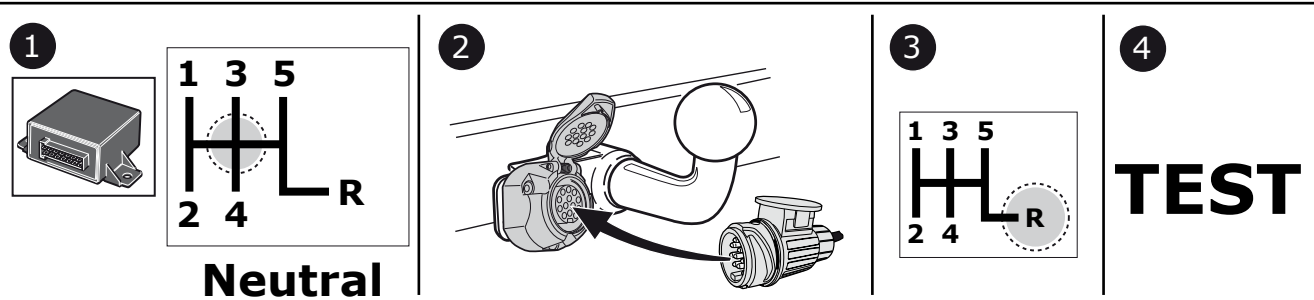
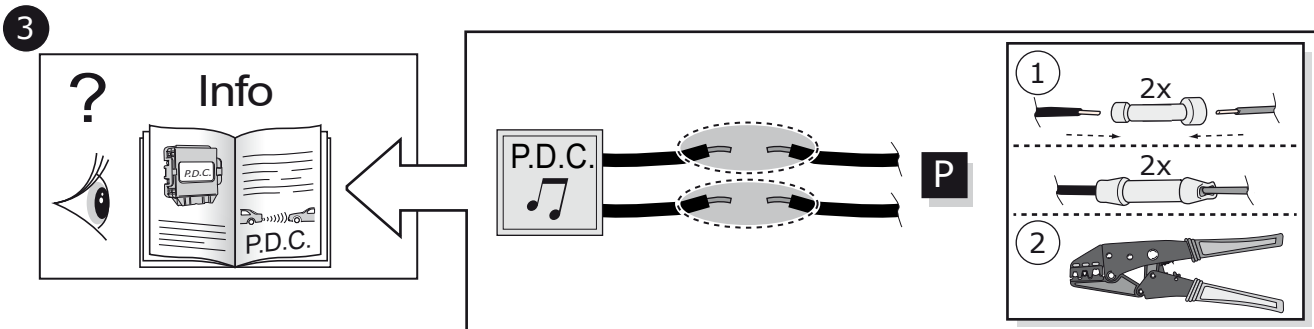
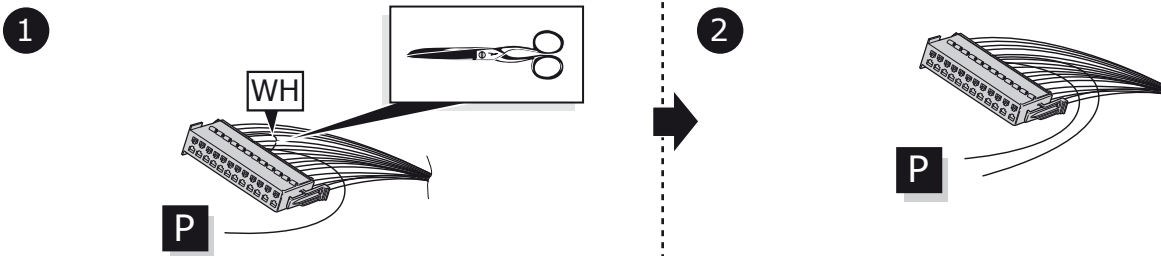
For OEM installed PDC systems



Option 2

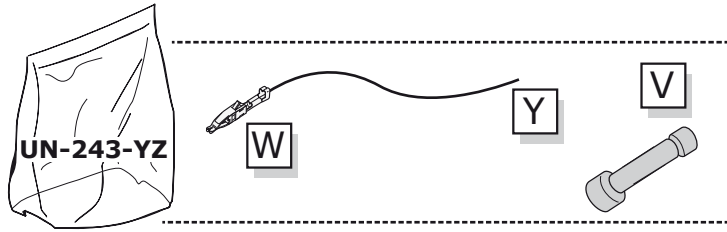


For aftermarket installed PDC systems

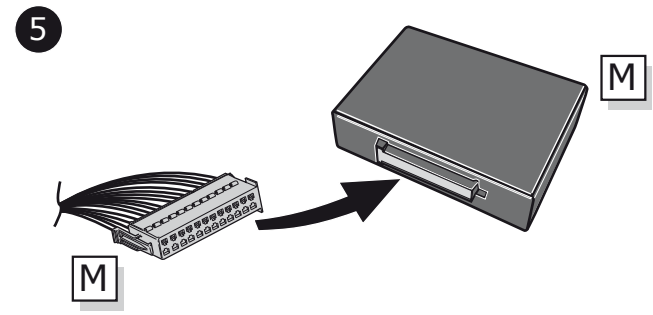
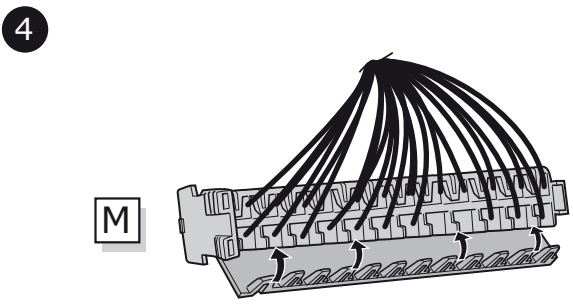
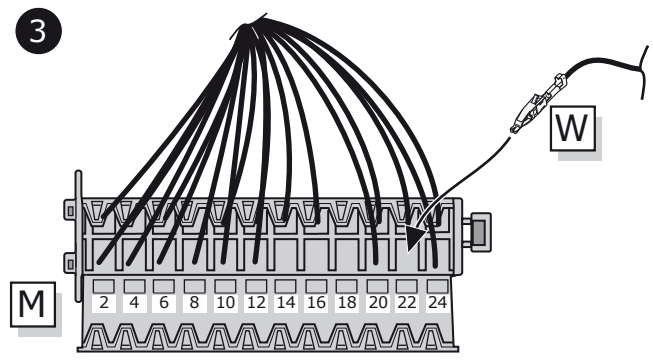
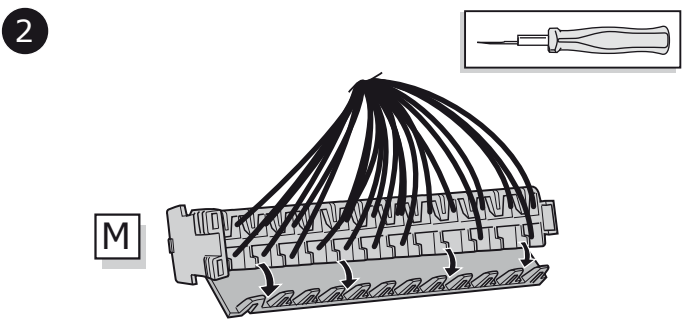
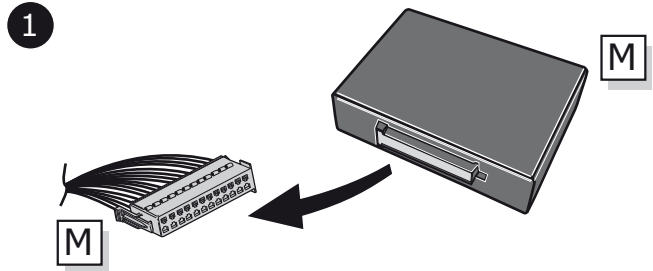
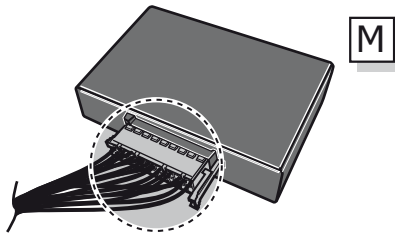


UN-243-YZ Reverse lamp pre-wire extension

⚠ MAX = 21W



A



B

⚠ MAX = 21W

