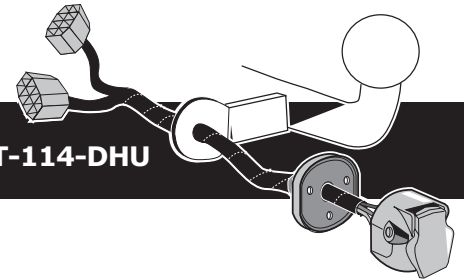


**Mitsubishi ASX 05/2010 >> 02/2023**  
**Citroën Aircross**  
**Peugeot 4008**

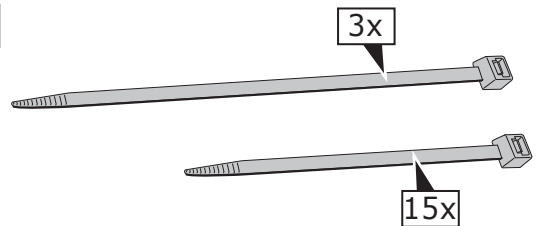
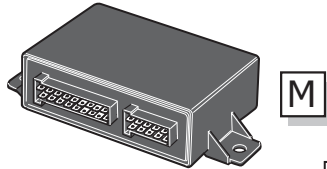
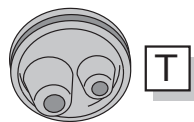
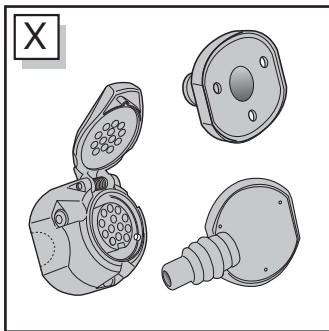
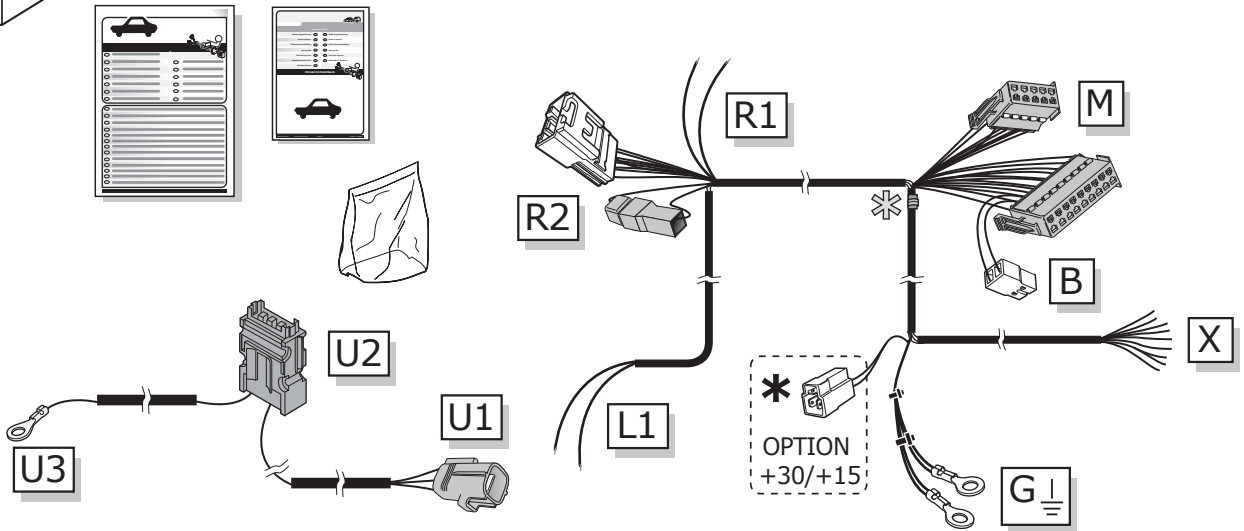
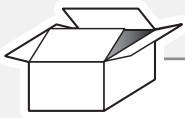


Partnr.: MT-114-DHU

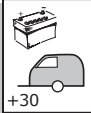
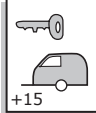
- Fitting instructions electric wiring kit tow bar with 13-P socket up to DIN/ISO Norm 11446.
- We would expressly point out that assembly not carried out properly by a competent installer will result in cancellation of any right to damage compensation, in particular those arising by virtue of the product liability act.
- Contents of these kits and their fitting manuals are subject to alteration without notice, please ensure that these instructions are read and fully understood before commencing installation.
- Do not overload circuits; the maximum loads per connection are detailed in this manual.
- Attention! Before Installation, please read this manual carefully and inform your customer to consult the vehicle owners manual to check for any vehicle modifications required before towing.
- In the event of functional problems, troubleshooting must be limited to about 0.5 hours, contact the technical support:  
[ukts@ecs-electronics.com](mailto:ukts@ecs-electronics.com) / 07440 202 052.




# Part list




**\* OPTION +30/+15**  
preparation for

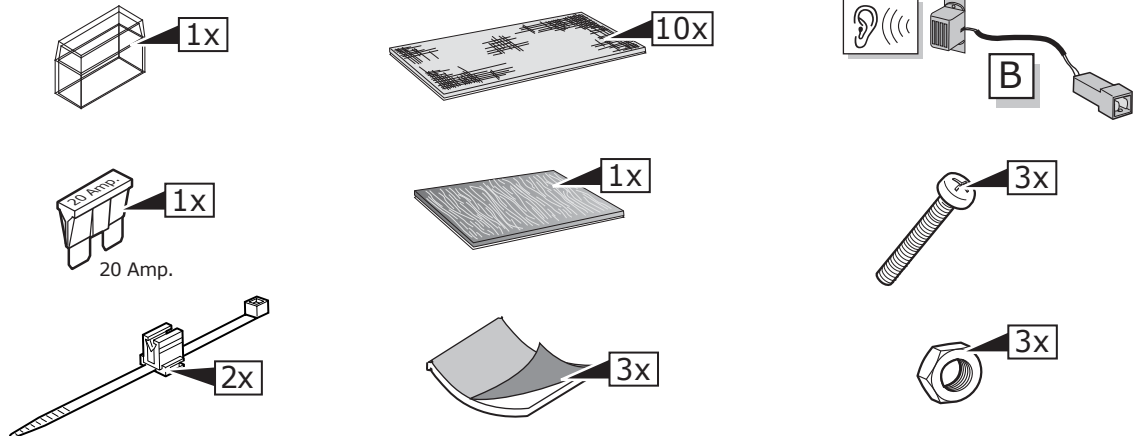
 +30	 +15
Brown/White	Red

**\* OPTION P.D.C.**

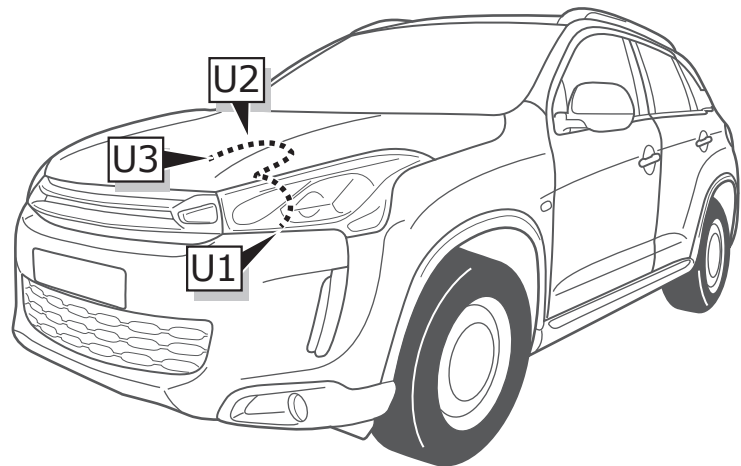
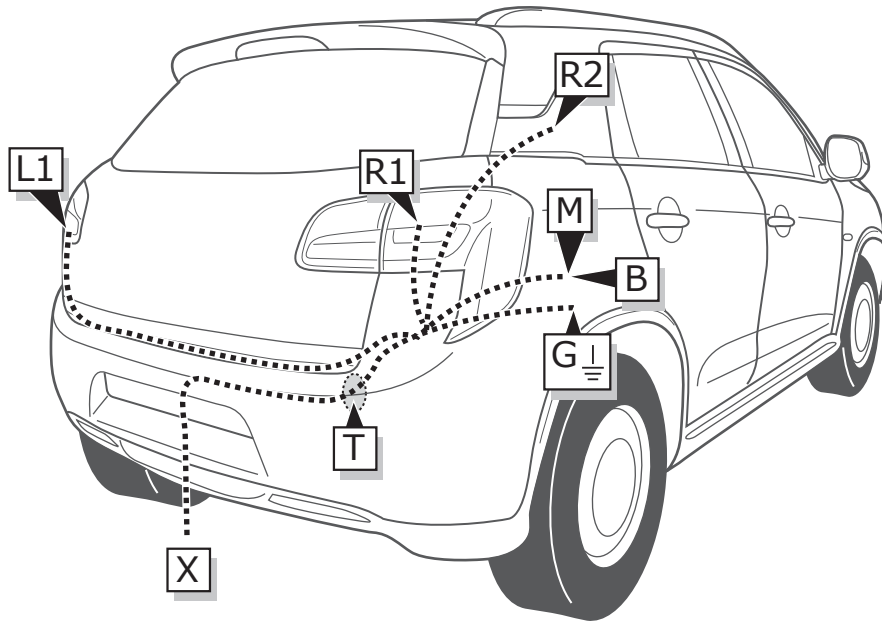


**= 12V / Max. 500 m Amp.**

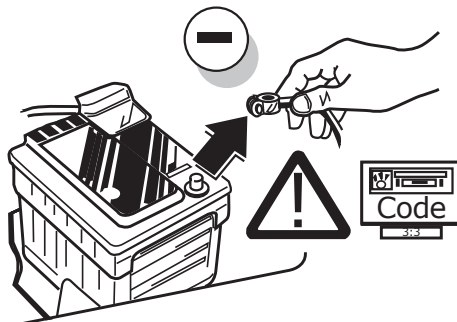
 **Page 12**



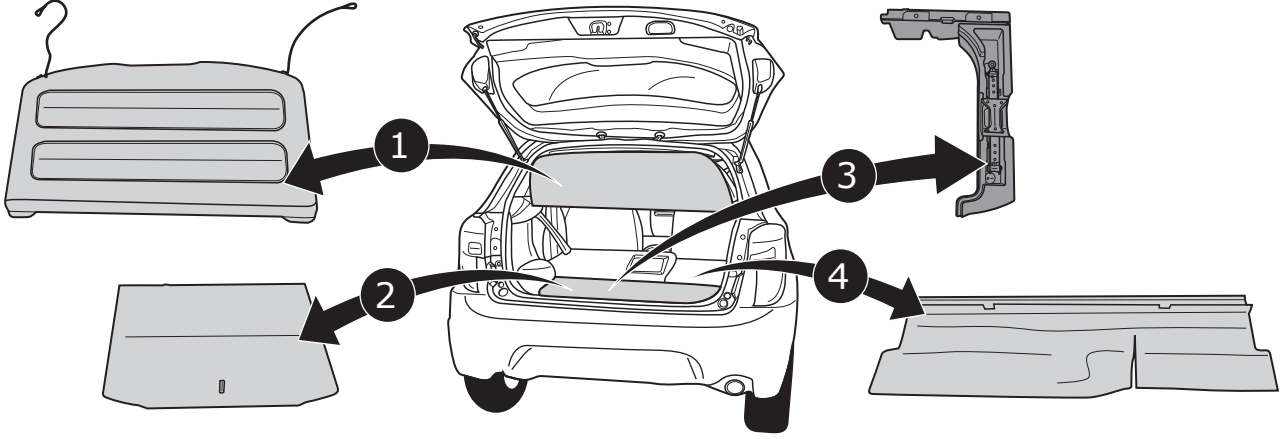
**ROUTING**



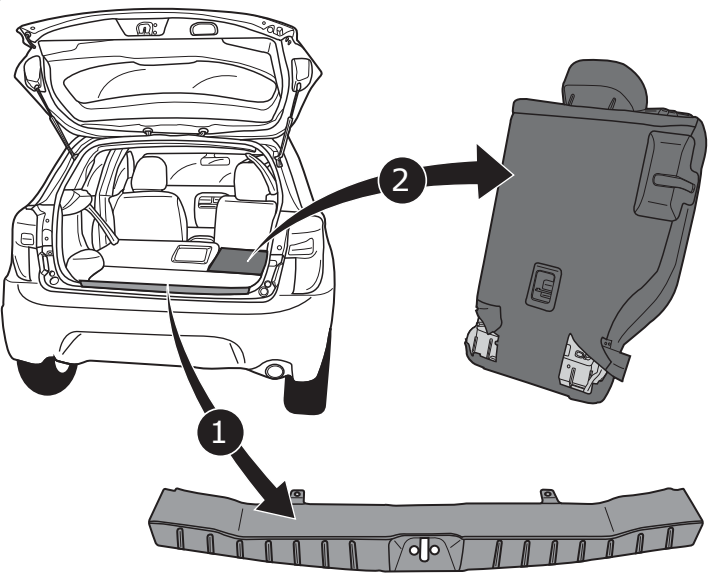
**1**



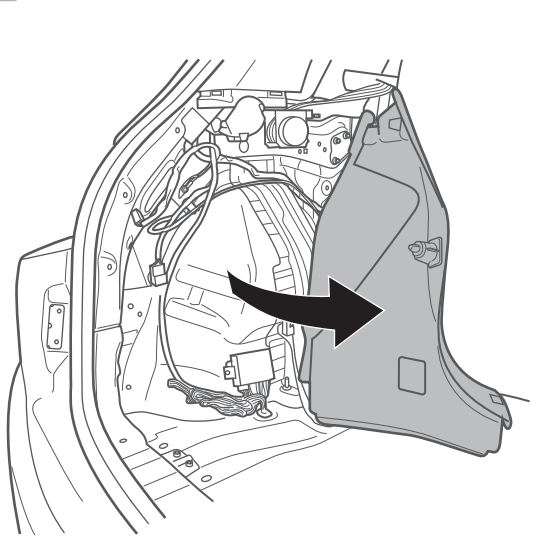
2



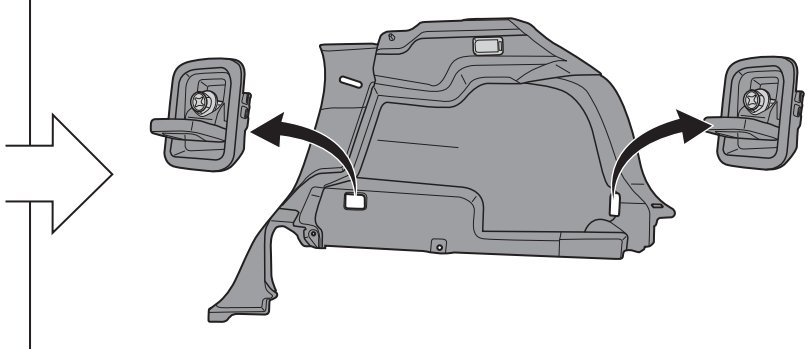
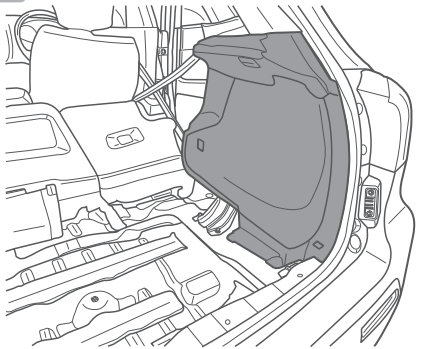
3



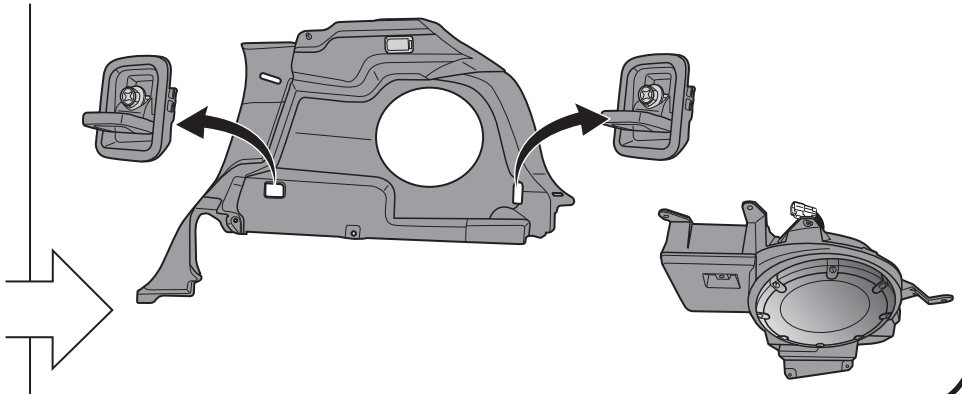
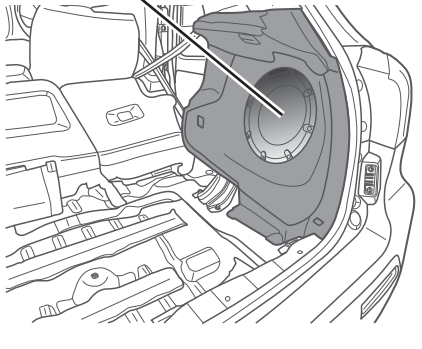
4



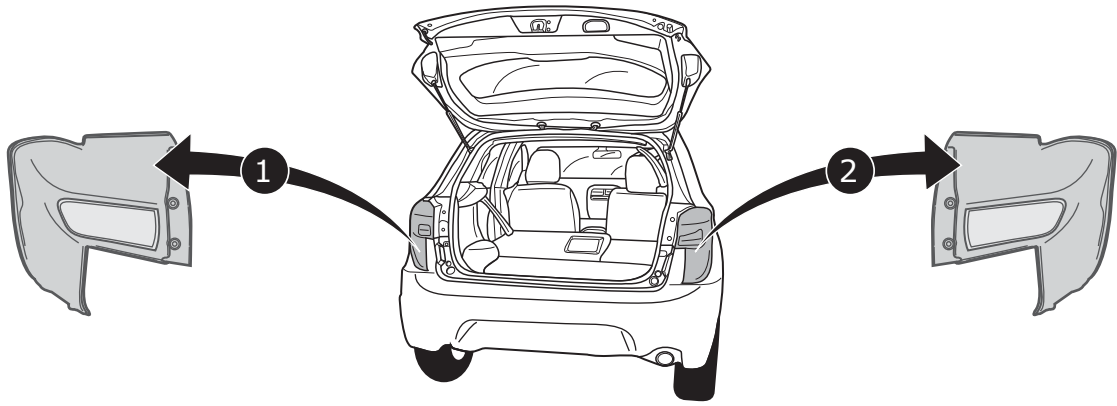
5



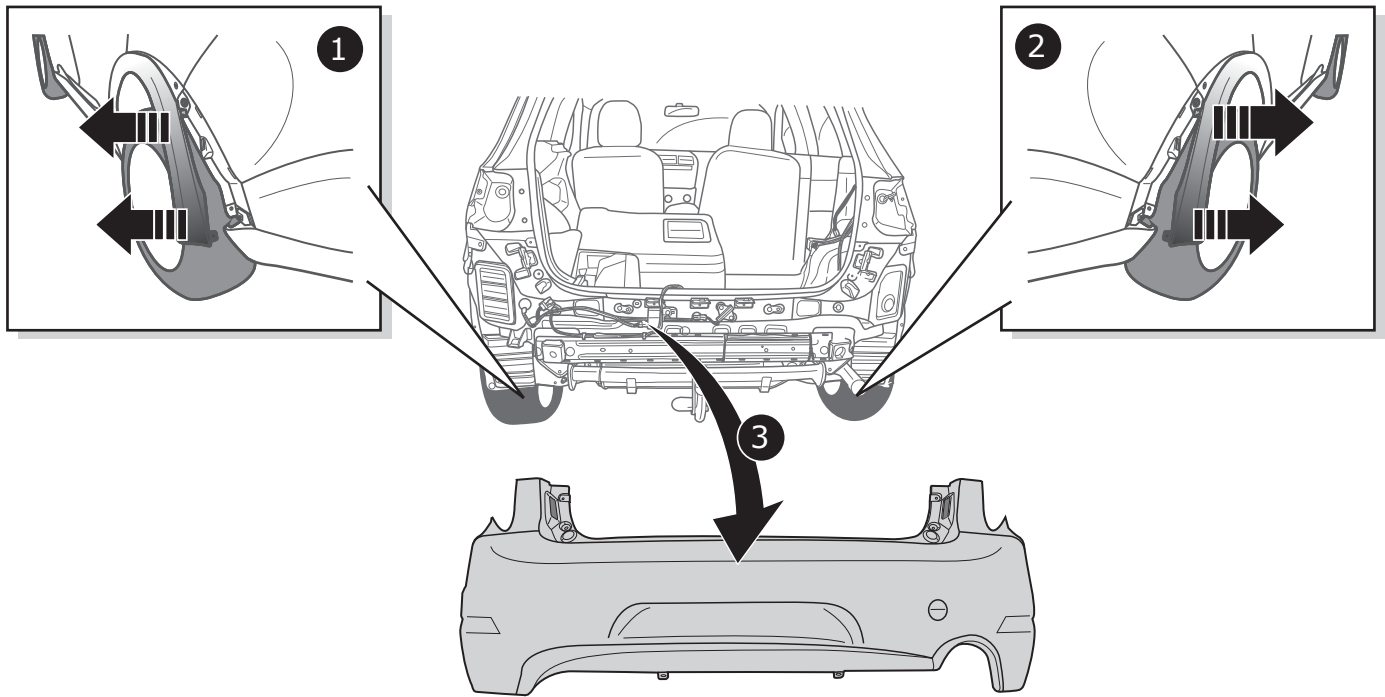
OPTION



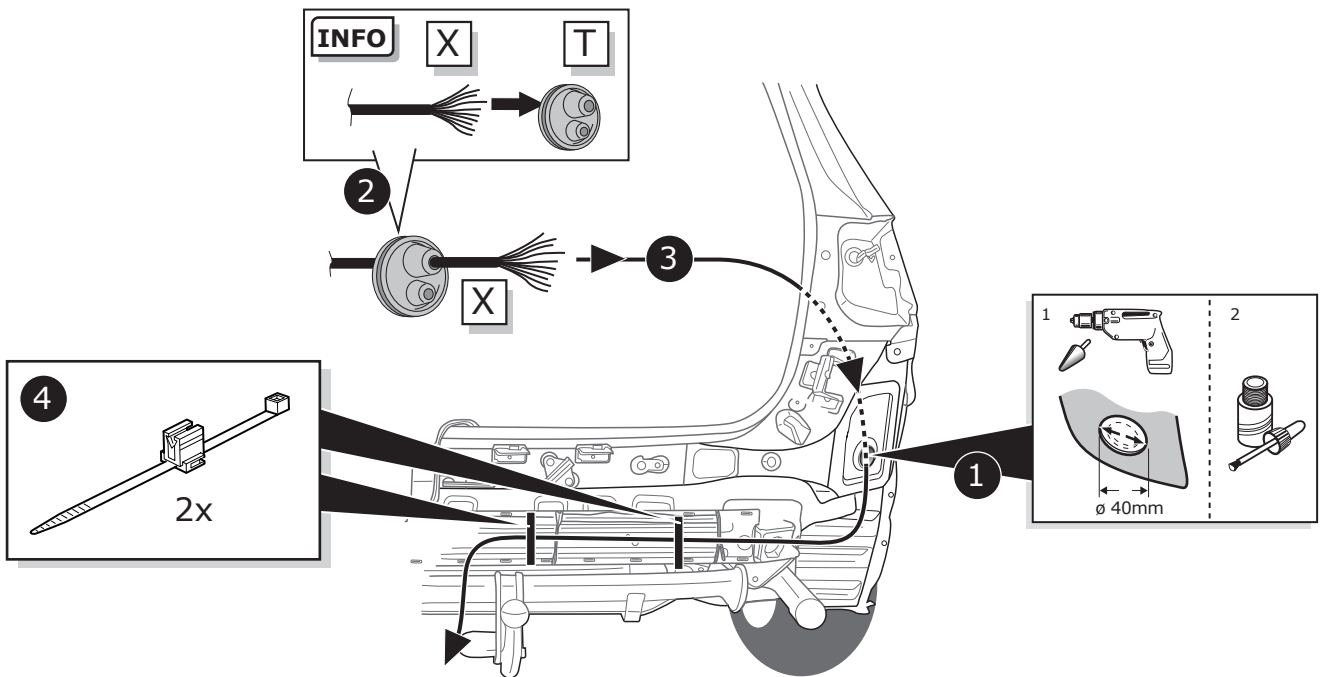
6

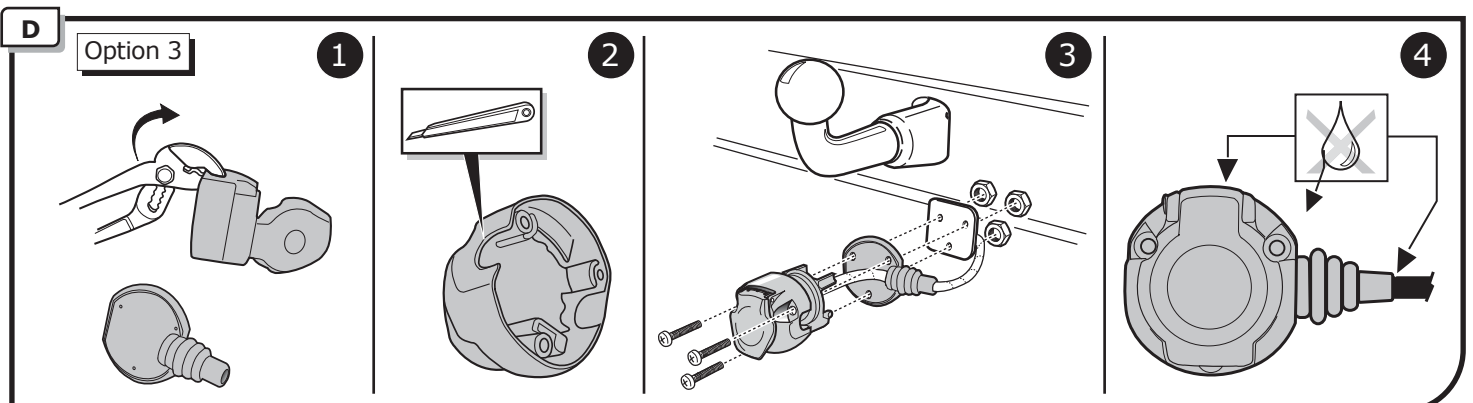
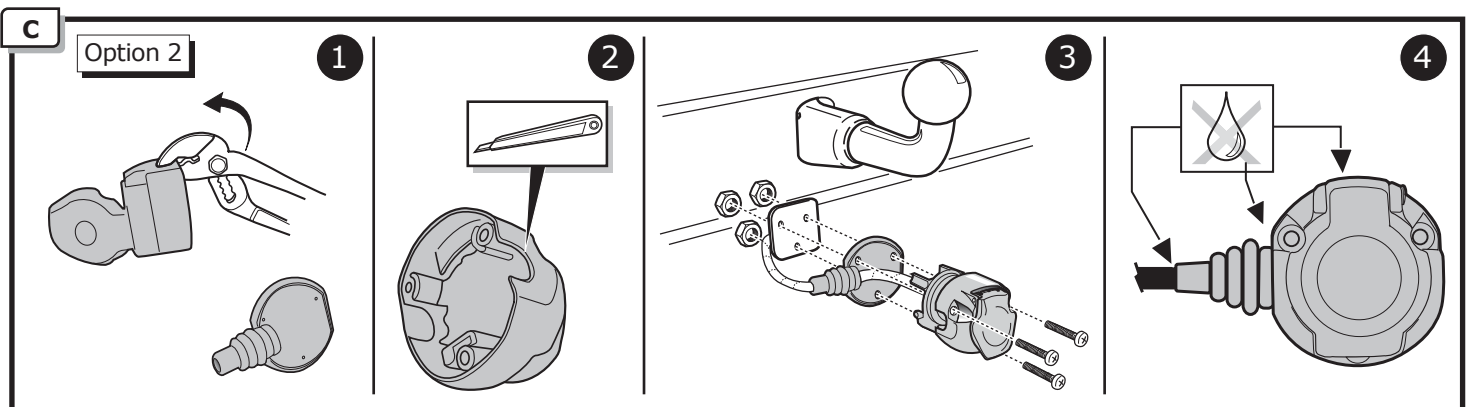
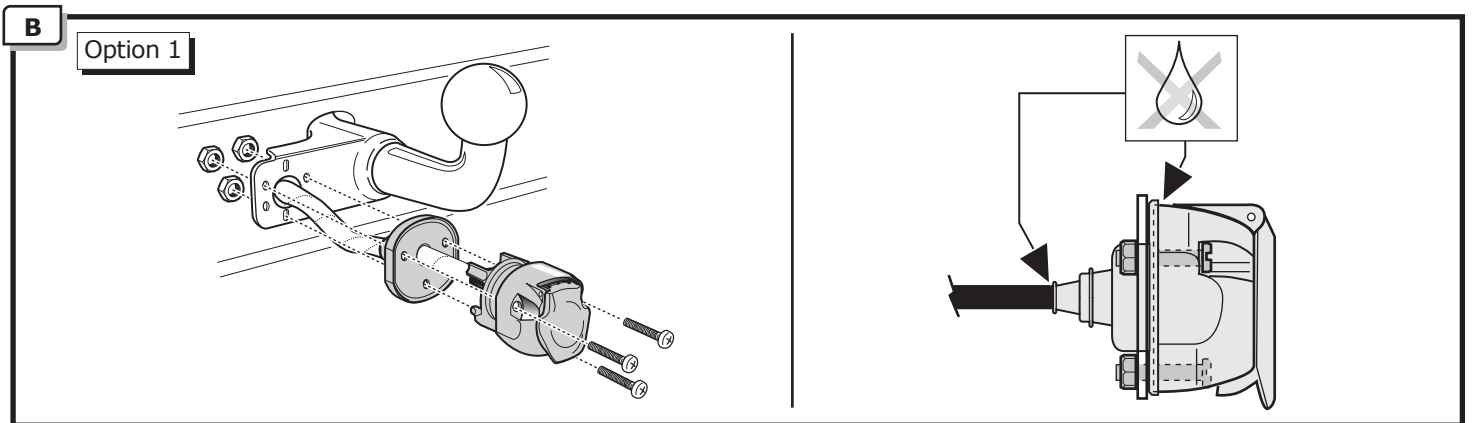
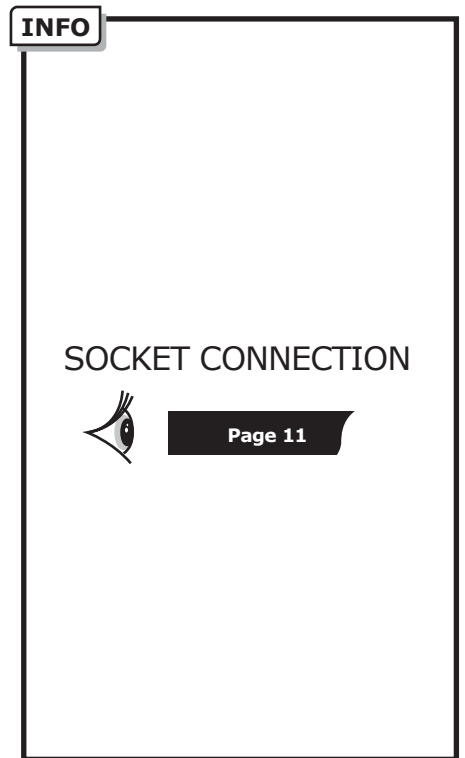
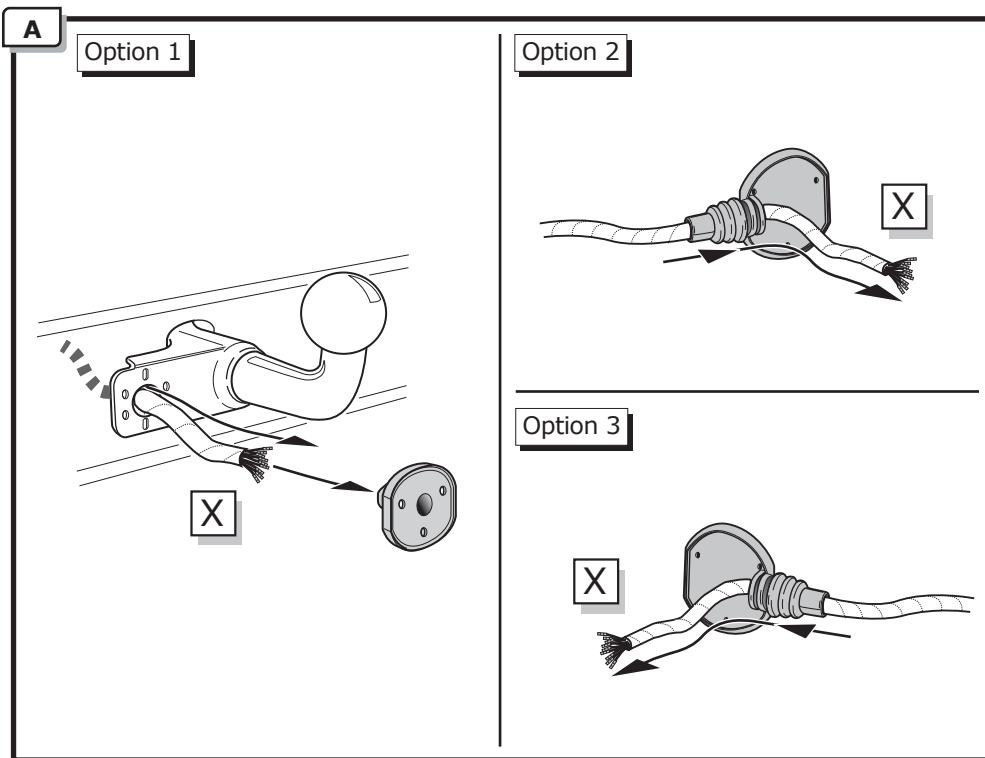


7

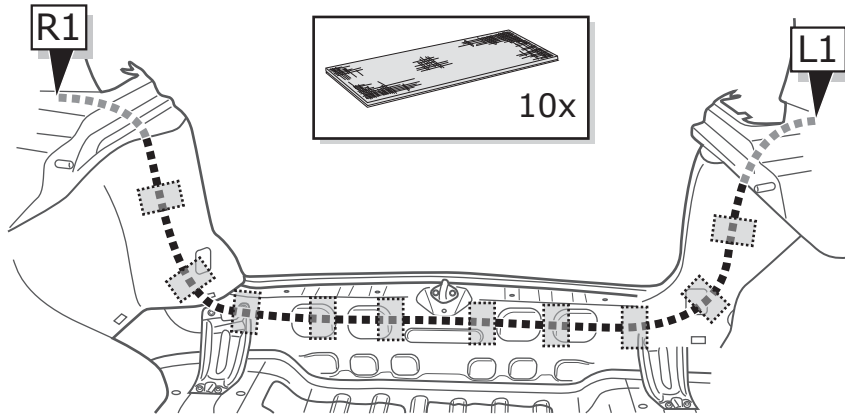


8

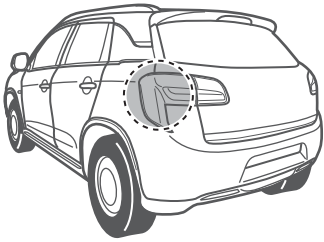




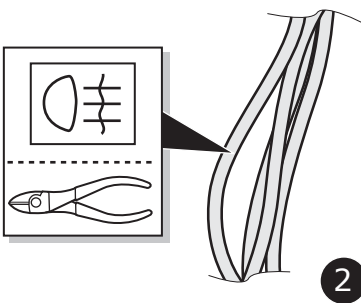
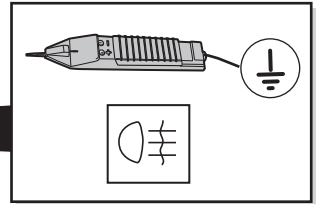
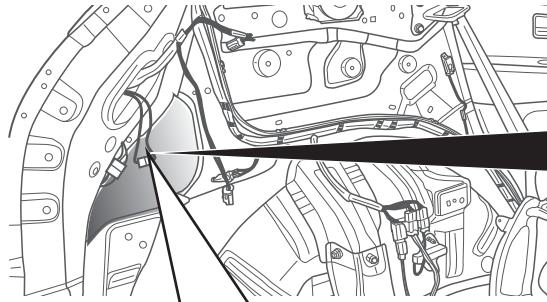
9



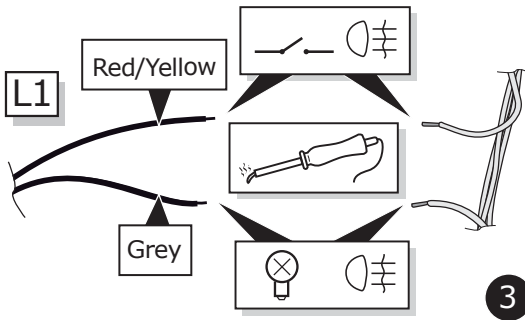
10



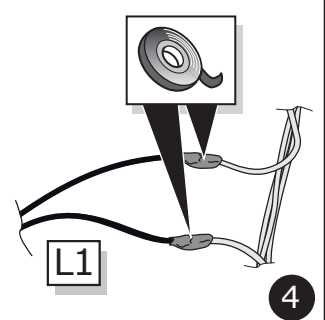
Citroën Aircross



2

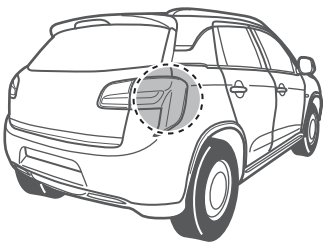


3

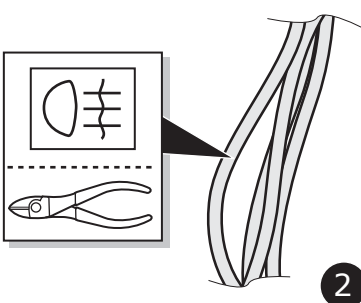
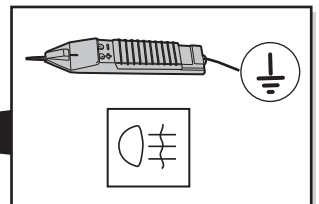
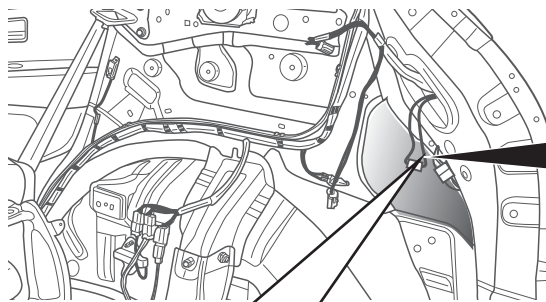


4

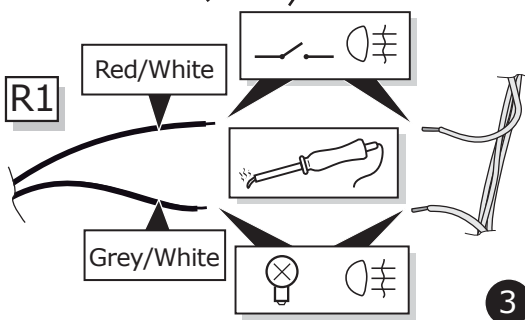
11



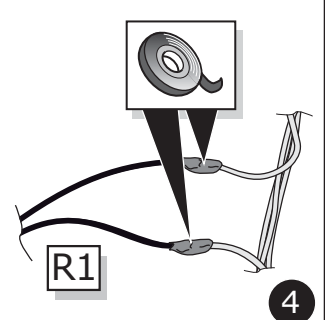
Citroën Aircross



2

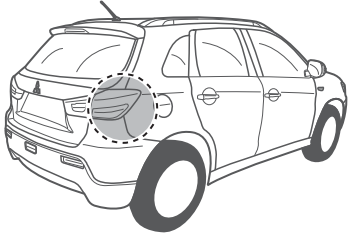


3

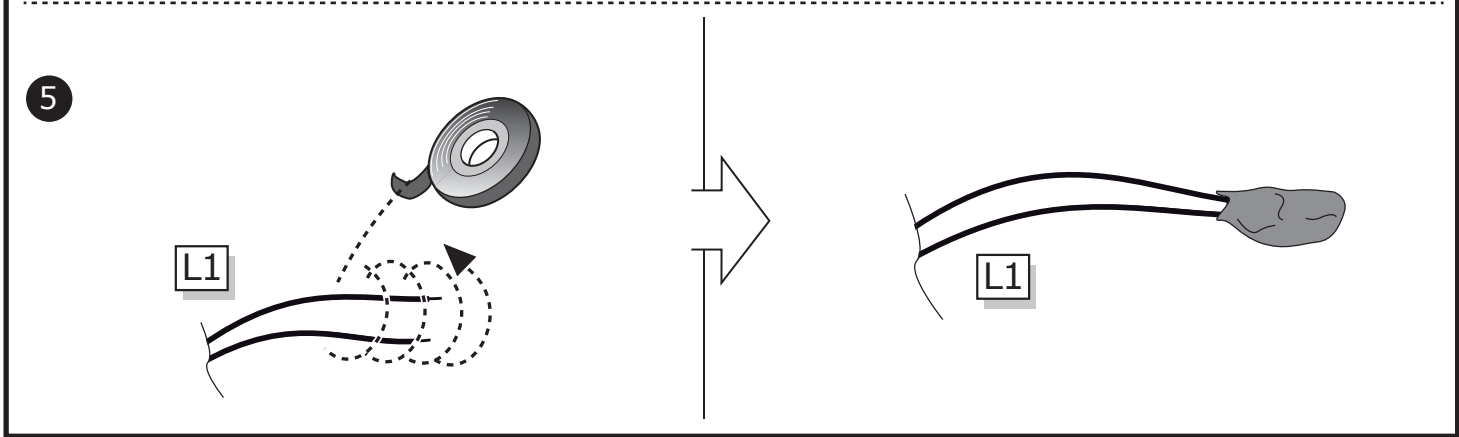
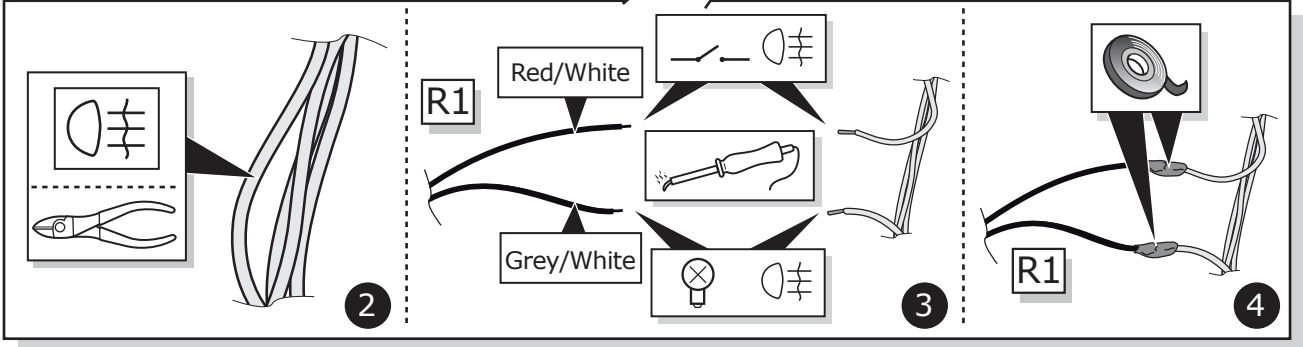
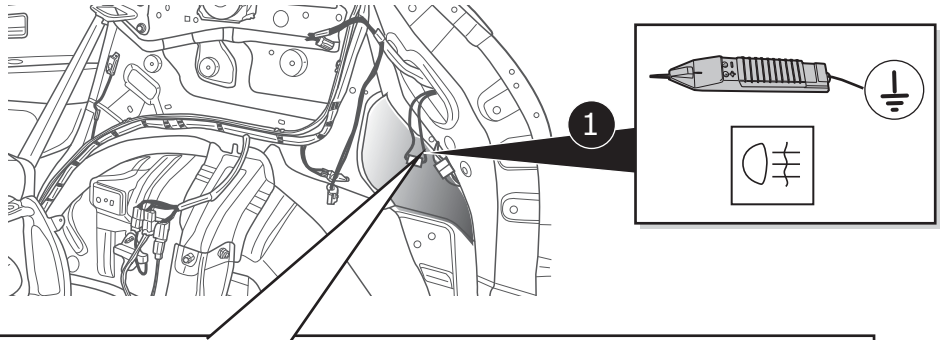


4

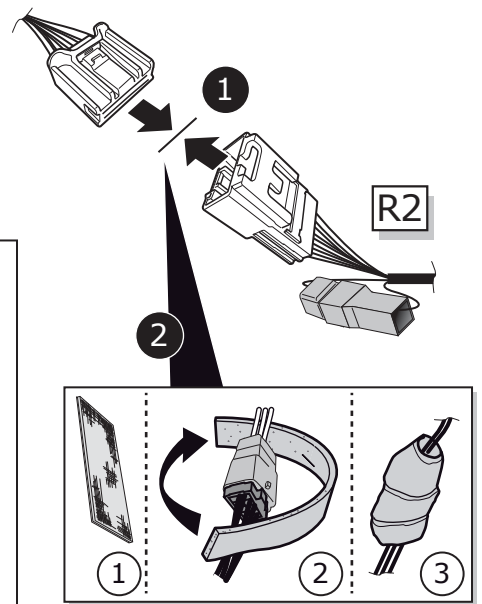
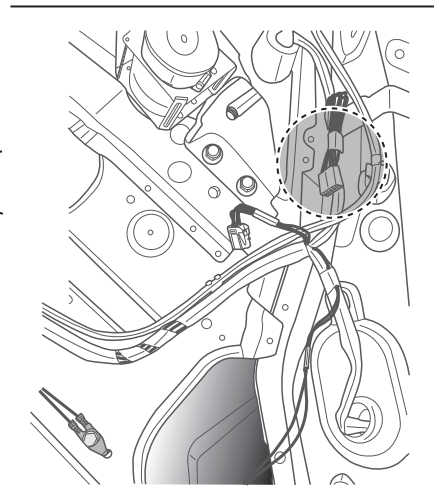
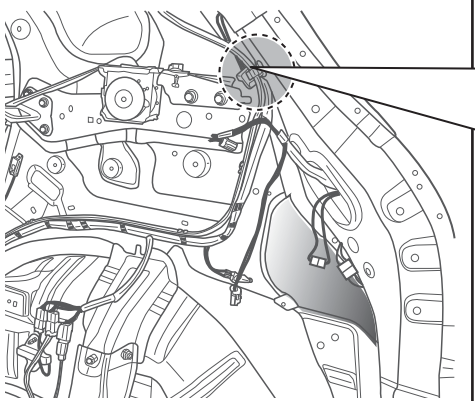
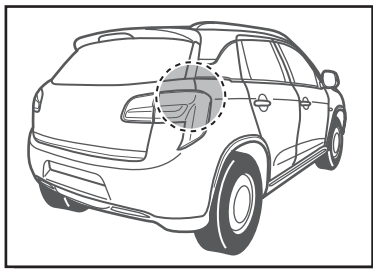
12



**Mitsubishi ASX  
Peugeot 4008**

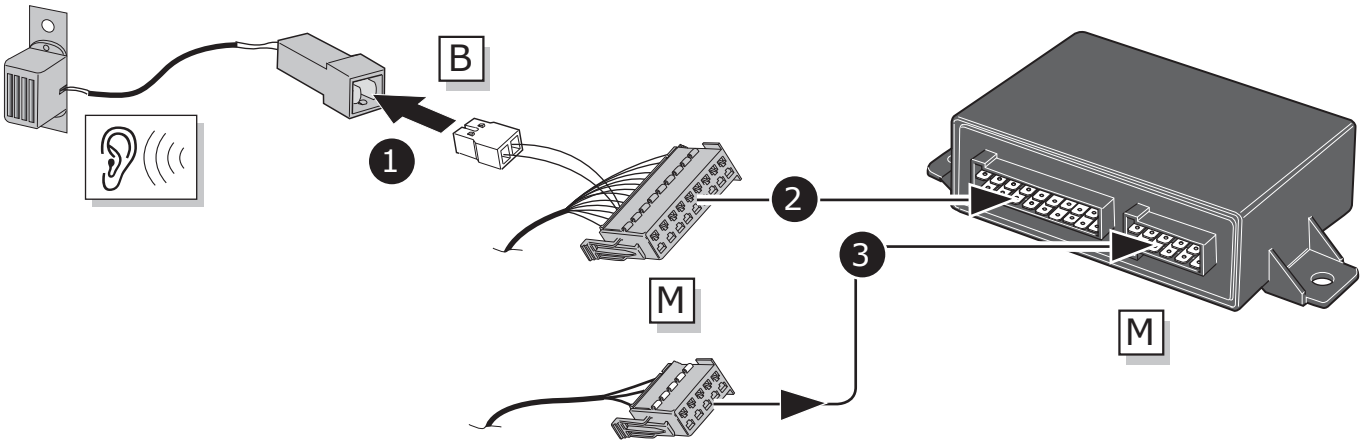


13

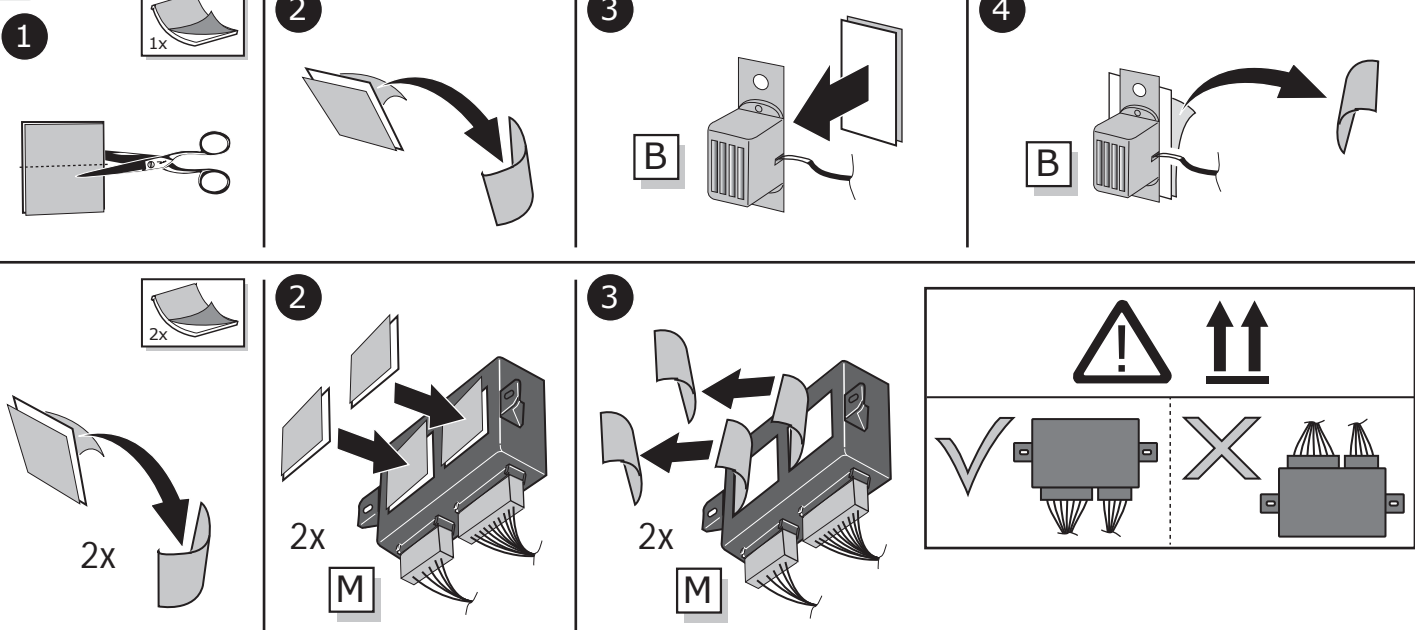




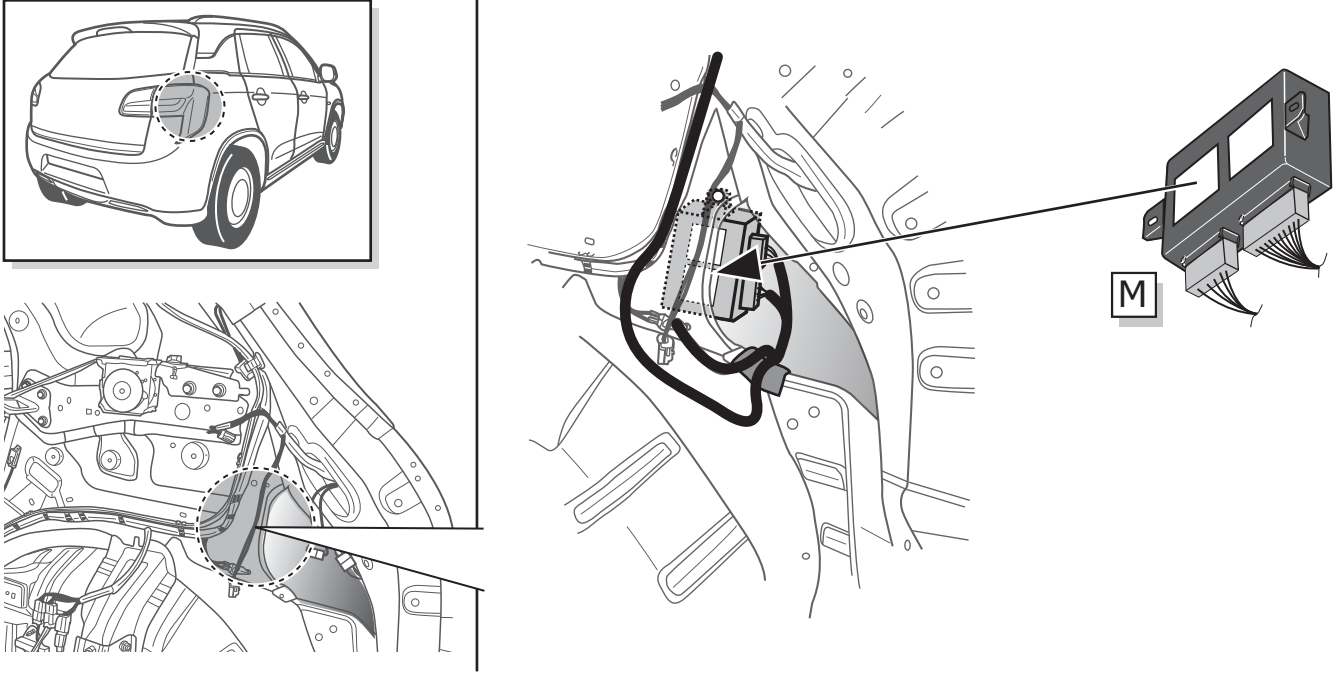
14



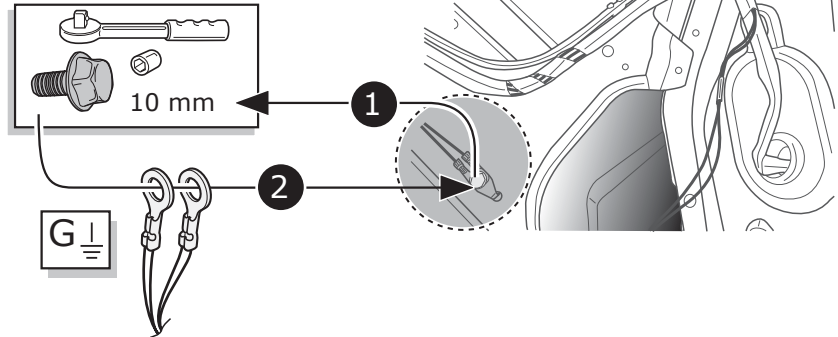
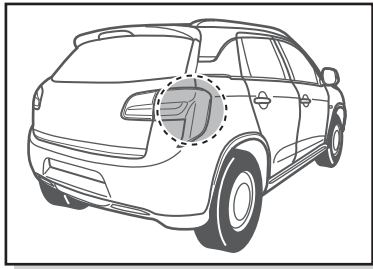
15



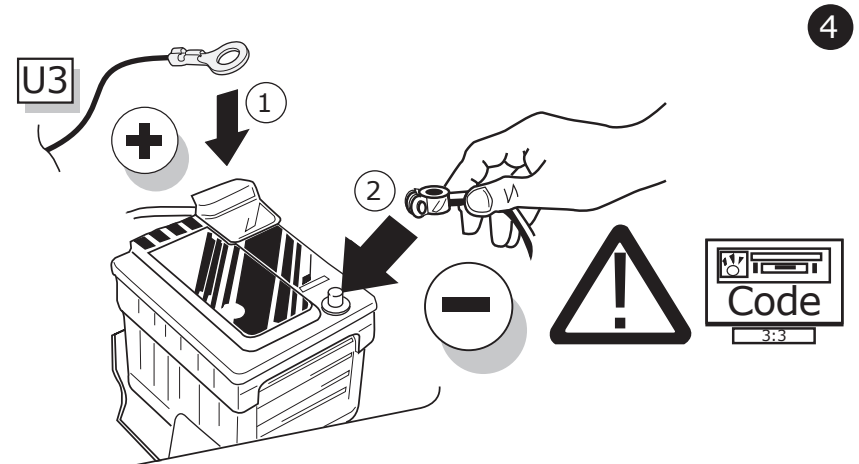
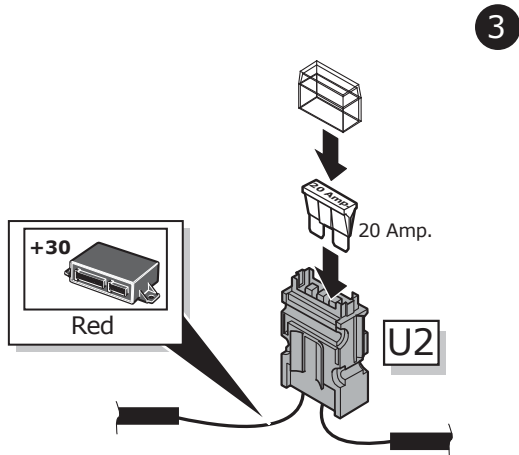
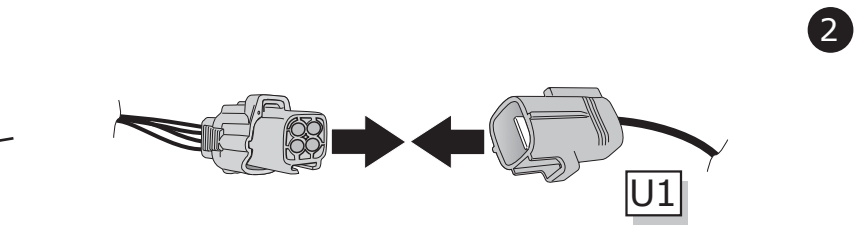
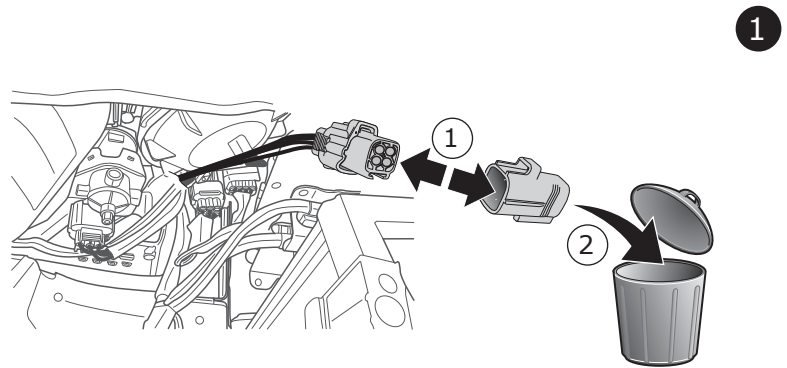
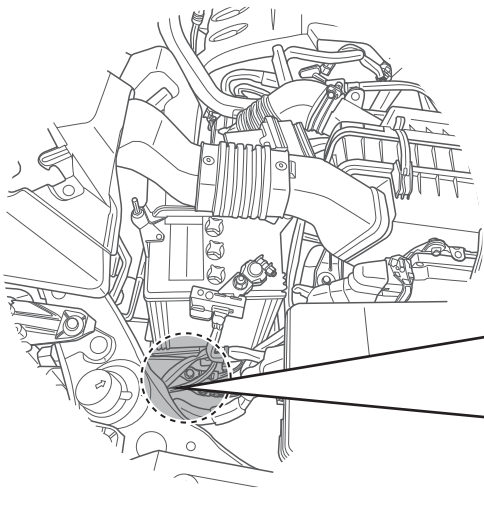
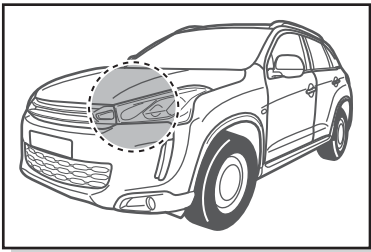
16



17



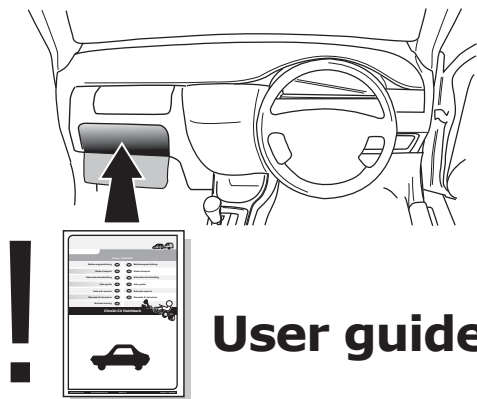
18



TEST ALL THE CIRCUITS WITH A TEST DEVICE WITH THE CORRECT POWER LOAD FOR EACH FUNCTION. A TEST DEVICE WITH LED'S CANNOT BE USED FOR THIS PURPOSE.

INFO

REINSTALL TRIM.

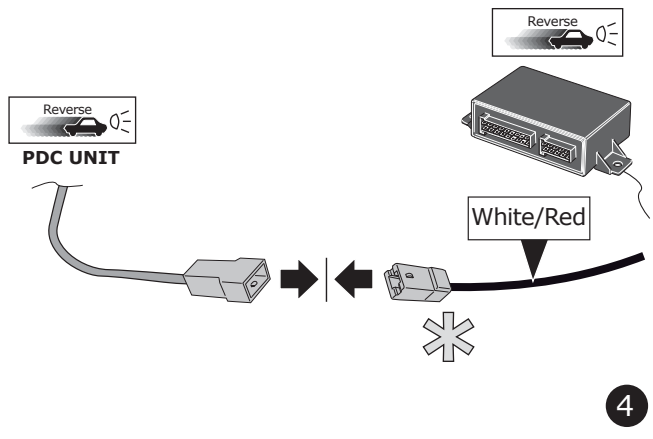
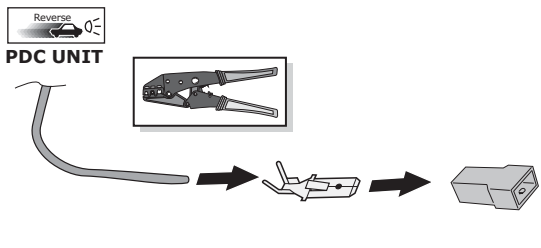
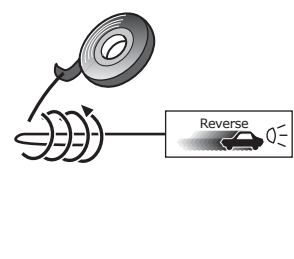
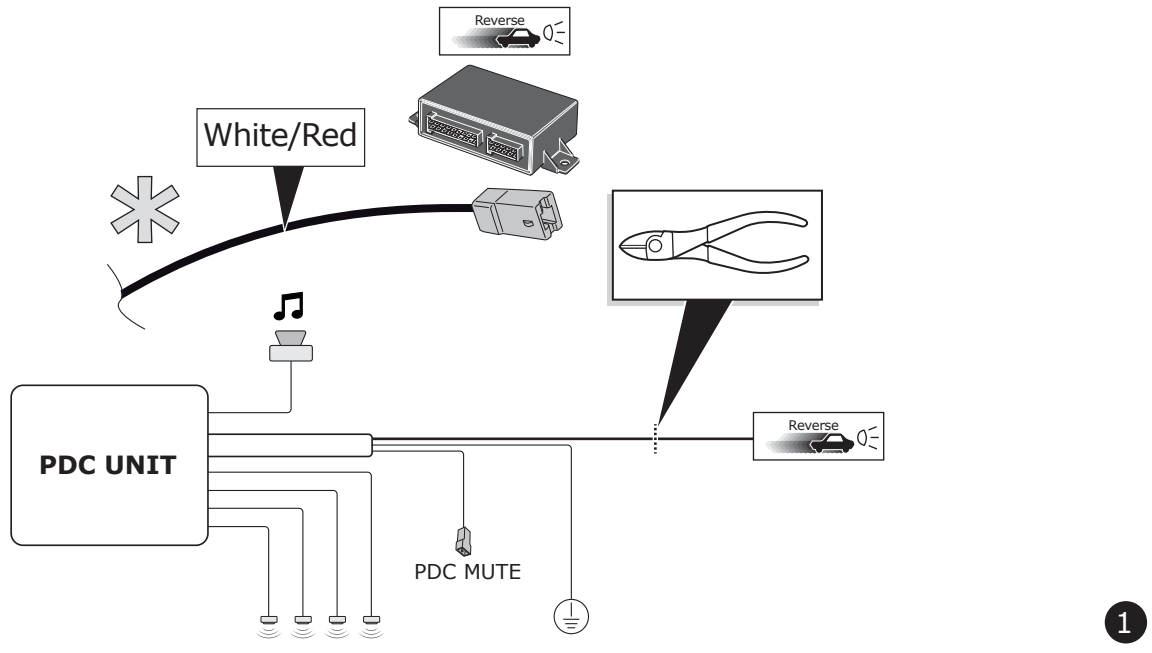


INFO

SOCKET CONNECTION

DIV/ISO 11446													
	1/L	2	3/31	4/R	5/58-R	6/54	7/58-L	8	9	10	11	12	13
Pmax	21W	2x21W		21W	52W	3x21W	52W	2x21W	180W/15Amp	180W/15Amp			
Colour	Yellow	Blue	White	Green	Brown	Red 1,00 mm <sup>2</sup>	Black	Black/ Red	Brown/ White	Red 2,50 mm <sup>2</sup>	White	-	White

# \* OPTION P.D.C.



## Info

