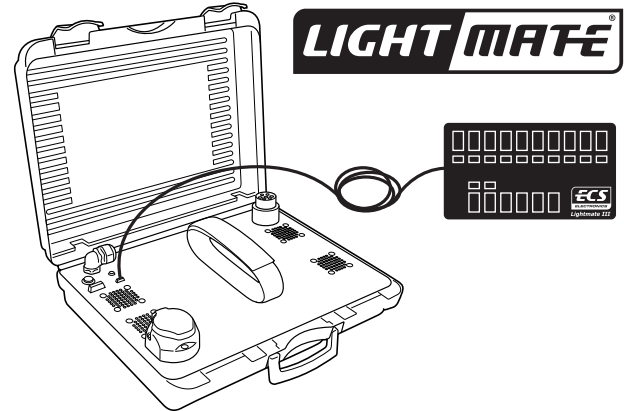




MT-131-BHU Quick Start Guide

Mitsubishi L200 2016-
Fiat Fullback 07/2016-

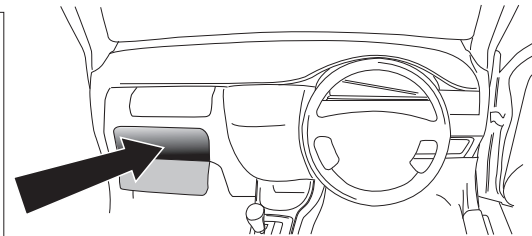
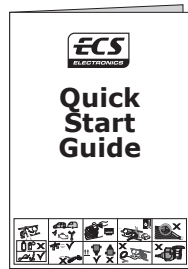
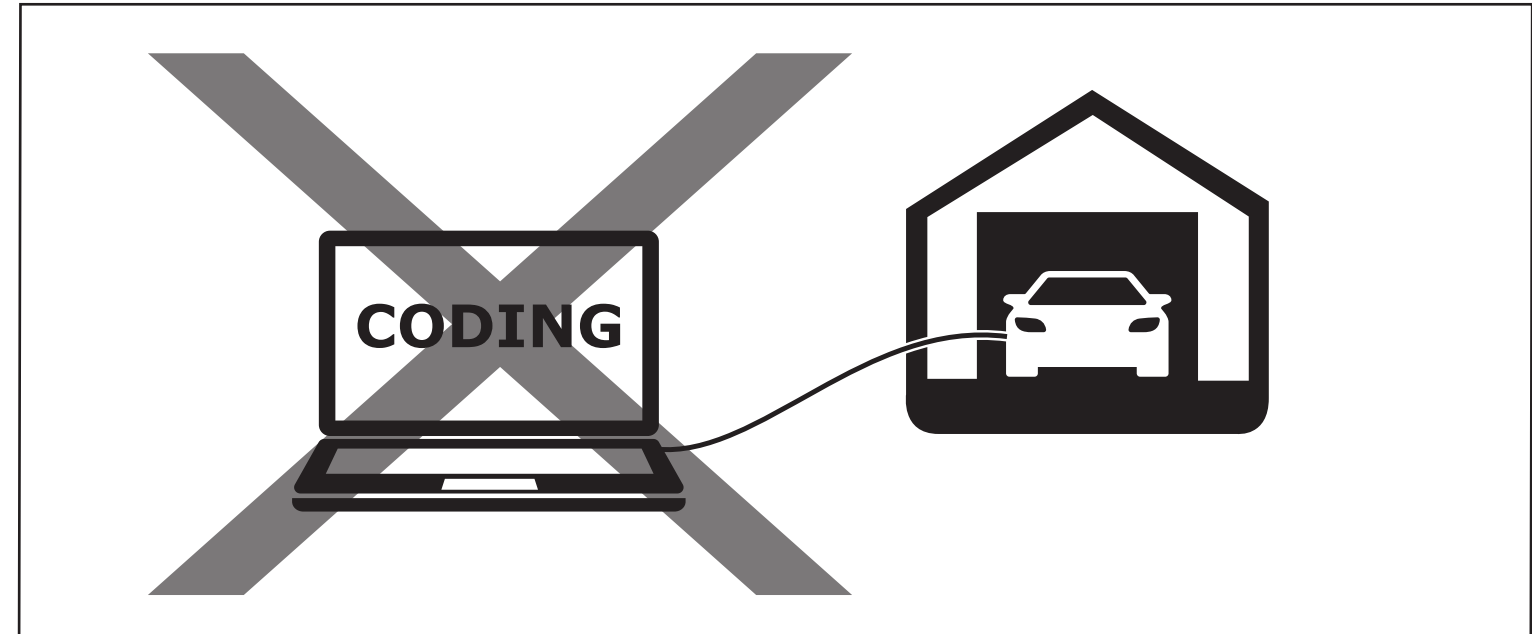


**INSTALLERS SUPPORT
FREE CALL**

**00800
22 55 23 27
CALL2ECS**

Monday - Friday
08.00am - 11.00am
12.00am - 05.00pm GMT
customercare@ecs-electronics.com
www.ecs-electronicsuk.co.uk

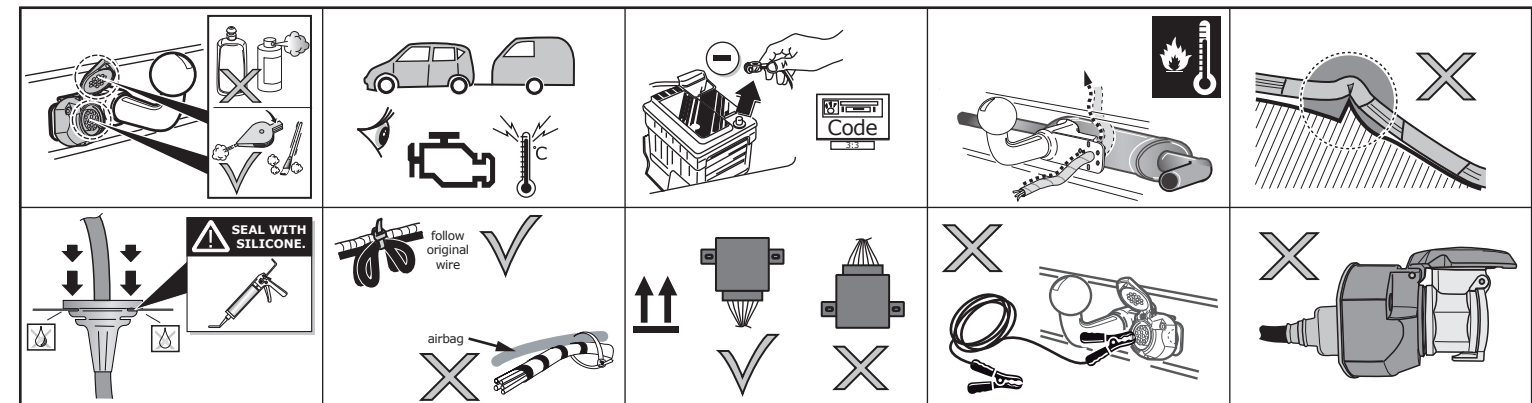
www.ecs-electronicsuk.co.uk



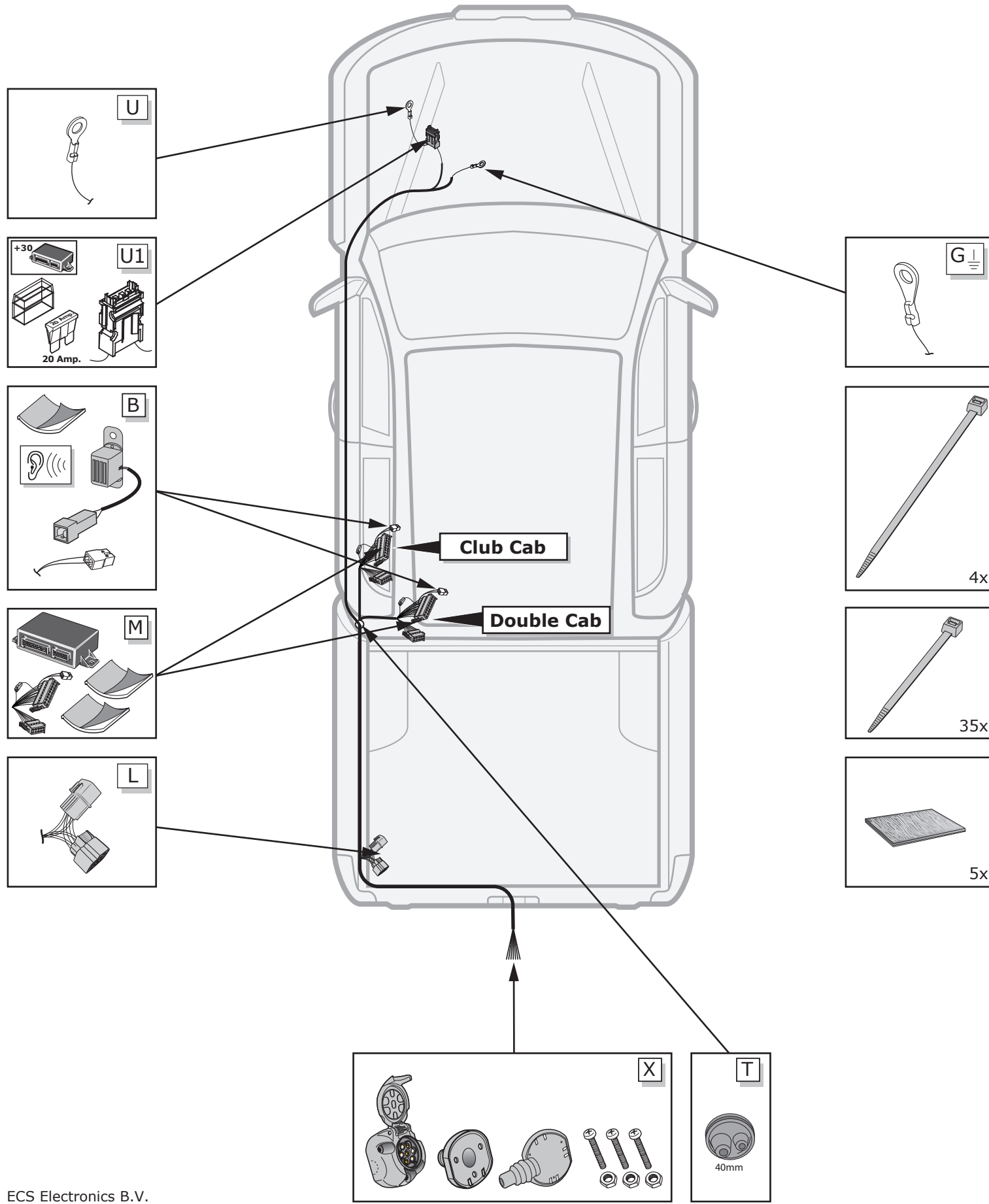
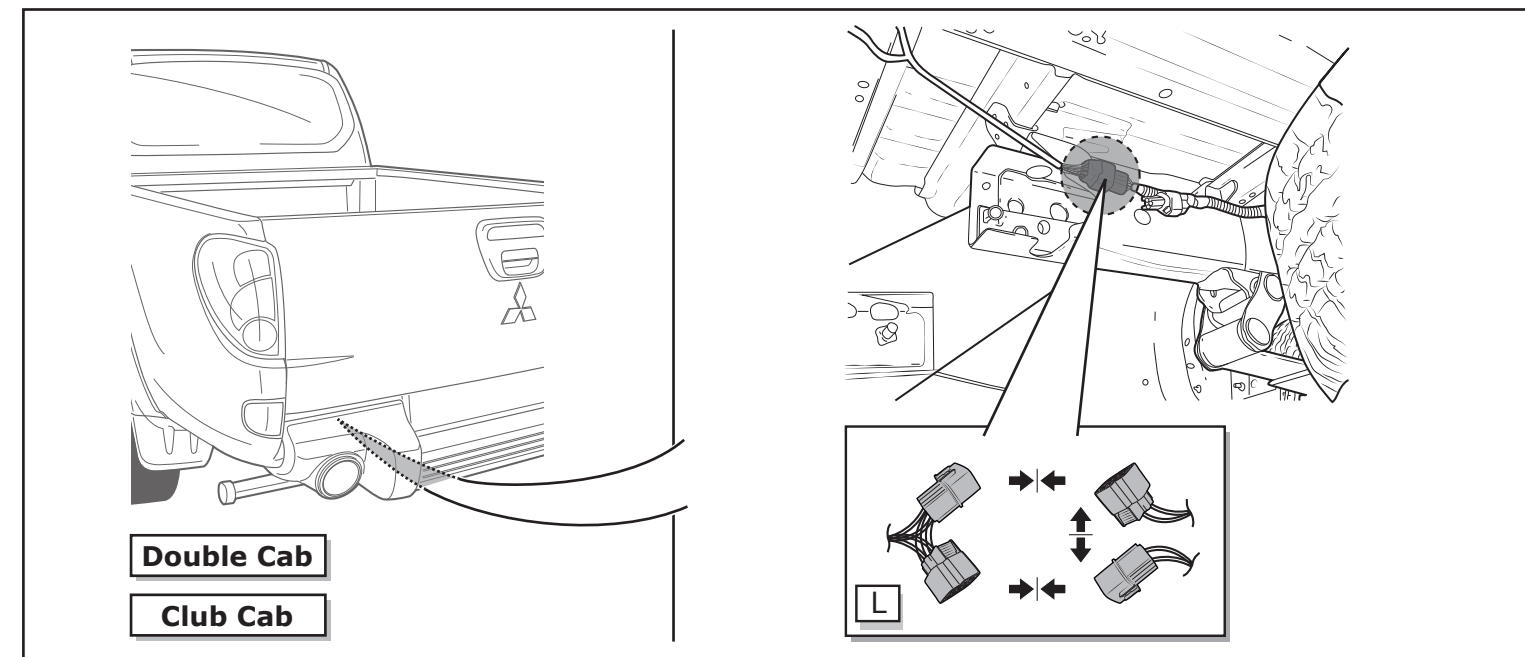
Installation Date: _____ Technician Name & Signature: _____ Stamp: _____

| | | |
|----------------|---|------------------|
| C2 | Indicator lights control | ✓ |
| PA | Park Distance Control switch off | ✓ |
| Q# | Fog lamp switch off | ✓ |
| STOP 54 | Brake lights control | X |
| CAN bus | | ✓ |
| | | >1 Hrs |

We would expressly point out that assembly not carried out properly by a competent installer will result in cancellation of any right to damage compensation, in particular those arising by virtue of the product liability act. Contents of these kits and their fitting manuals are subject to alteration without notice, please ensure that these instructions are read and fully understood before commencing installation. Do not overload circuits; the maximum loads per connection are detailed in this manual. The following information must be reviewed before beginning the assembly: The installation instructions are to be thoroughly read. The installation should be carried out by qualified personnel with the relevant technical knowledge. The vehicle manufacturers' current technical notices and information on retrofitting must be followed. The removal and replacement instructions found in the current repair manuals must be followed. It must be ensured that the vehicle is technically suitable for the installation of a trailer hitch. The vehicle's fault memory must be read out. In the event of functional problems, troubleshooting must be limited to about 0.5 hours, contact the installers support.



| | | | | | | | | | | | | | |
|--------|-------------|-------|------|-------|-------------|----------|-----------|------------|-----------|-------------|------------|-------|----------|
| | | | | | | | | | Reverse | | | | |
| 7 PIN | 1/L | 2/54g | 8 | 3/31 | 4/R | 5/58-R | 6/54 | 7/58-L | X | X | X | X | X |
| 13 PIN | 1/L | 2/54g | 2a | 3/31 | 4/R | 5/58-R | 6/54 | 7/58-L | 8 | 9 | 10 | 11 | 12 |
| Pmax | 21W | 21W | X | X | 21W | 42W | 3x21W | 42W | 21W | 180W/15Amp | 180W/15Amp | | |
| ISO | Yellow | Blue | Grey | White | Green | Brown | Red | Black | Black/Red | Brown/White | Red | White | Red/Blue |
| VAG | Black/White | Blue | Grey | Brown | Green/Black | Grey/Red | Black/Red | Grey/Black | Black | Red | Yellow | Brown | Red/Blue |



For full installation instructions please visit our website:
www.ecs-electronicsuk.co.uk