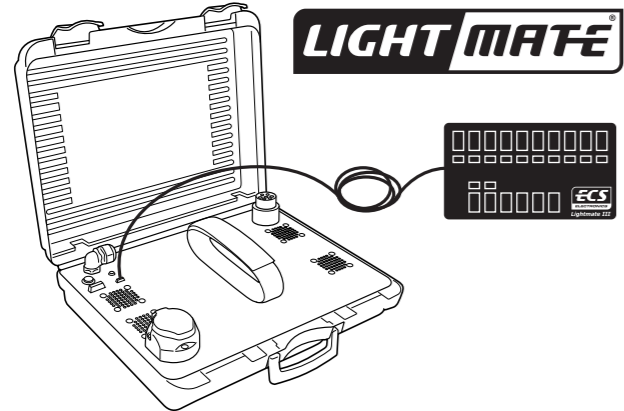


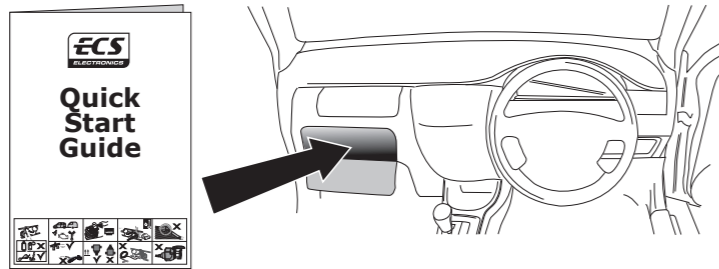
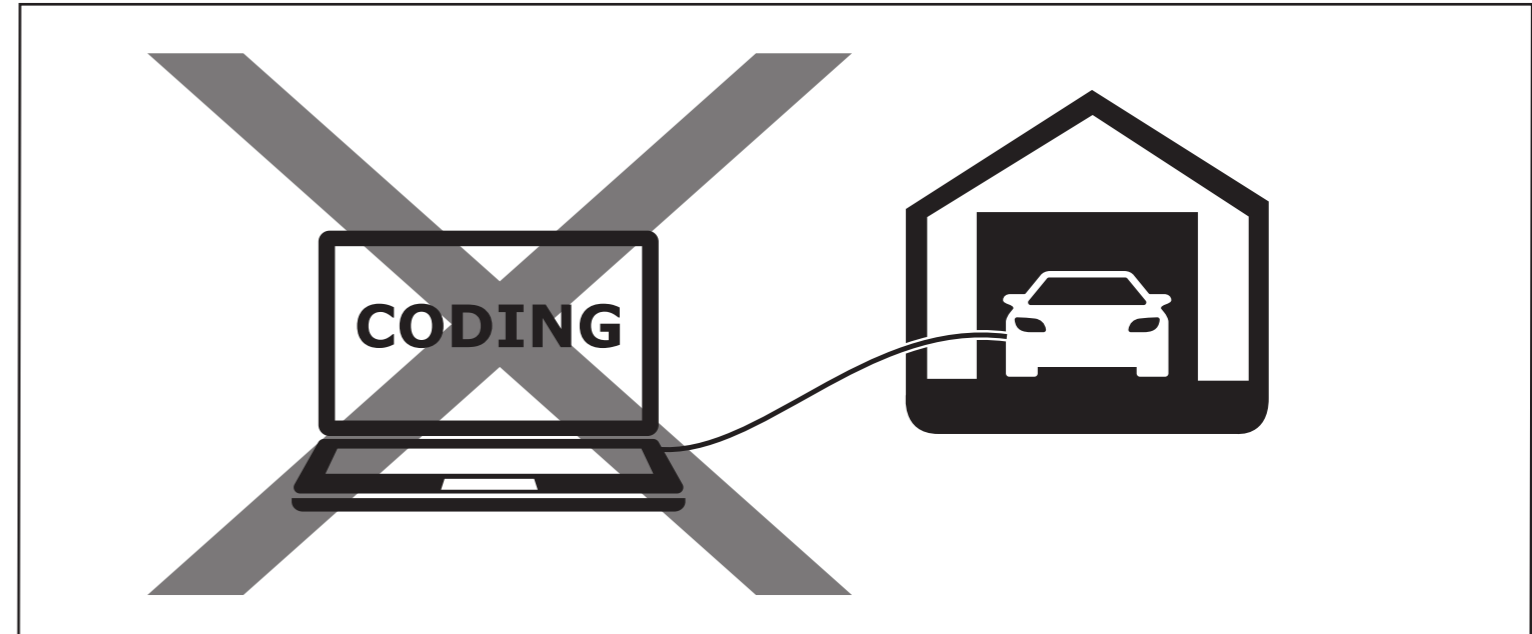


MT-131-DHU Quick Start Guide

Mitsubishi L200 2016-
Fiat Fullback 07/2016-



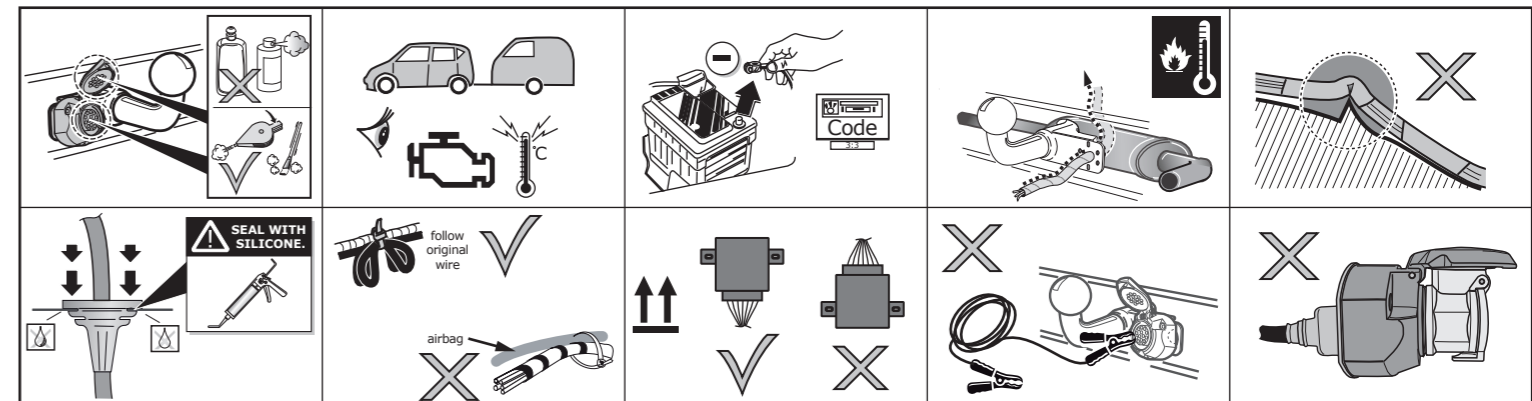
www.ecs-electronicsuk.co.uk



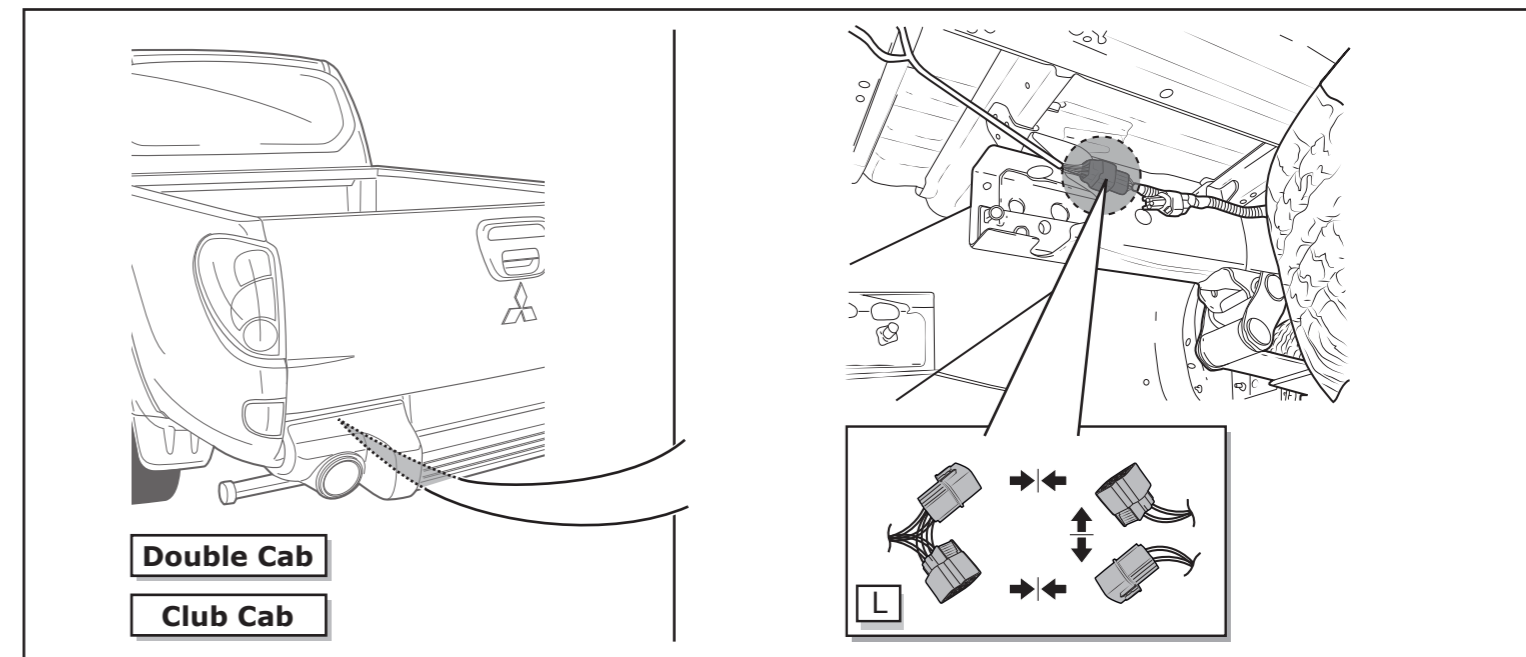
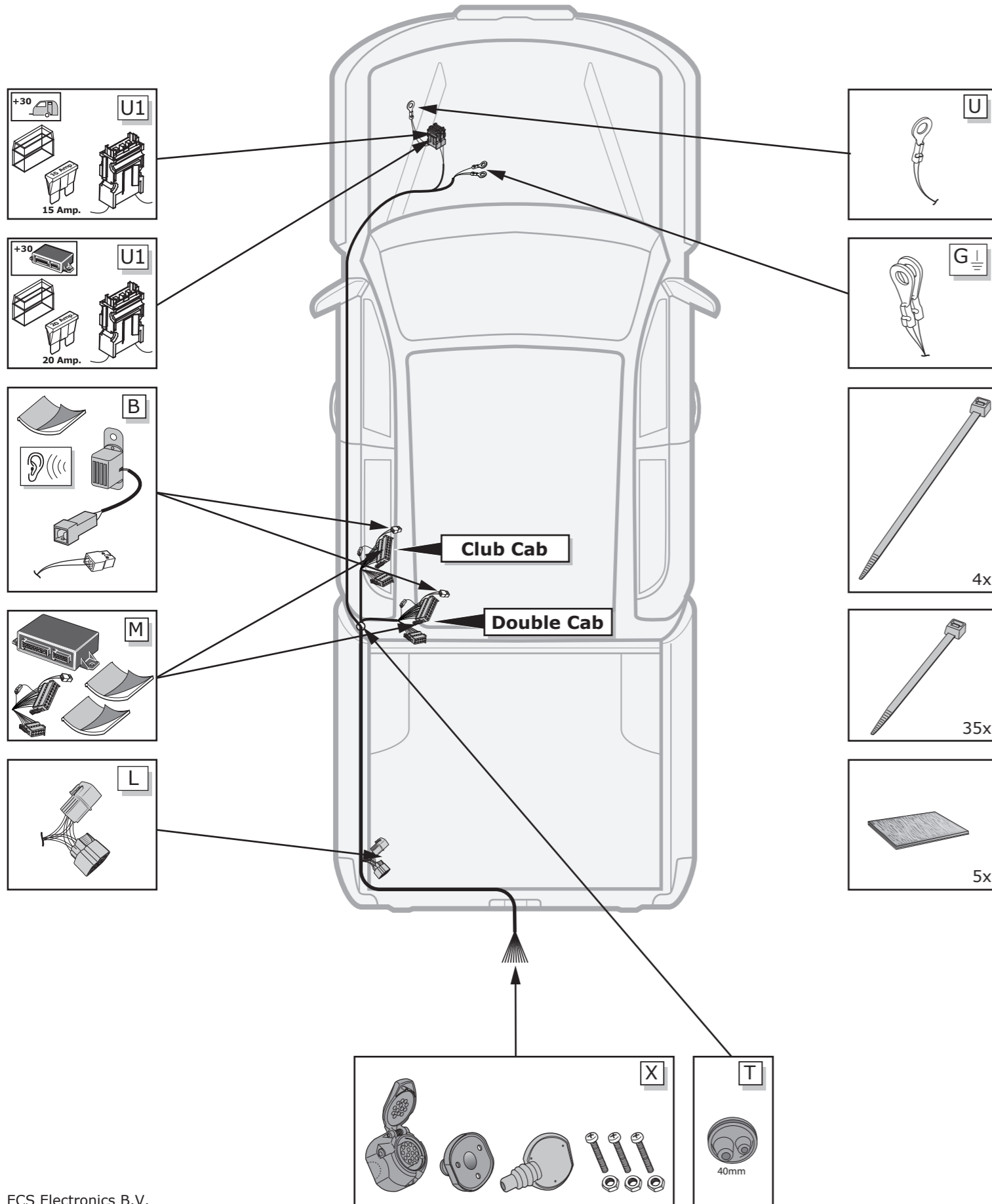
Installation Date: _____ Technician Name & Signature: _____ Stamp: _____

C2	Indicator lights control	✓
PA	Park Distance Control switch off	✓
Q#	Fog lamp switch off	✓
STOP 54	Brake lights control	X
CAN bus		✓
🕒		>1 Hrs

We would expressly point out that assembly not carried out properly by a competent installer will result in cancellation of any right to damage compensation, in particular those arising by virtue of the product liability act. Contents of these kits and their fitting manuals are subject to alteration without notice, please ensure that these instructions are read and fully understood before commencing installation. Do not overload circuits; the maximum loads per connection are detailed in this manual. The following information must be reviewed before beginning the assembly: The installation instructions are to be thoroughly read. The installation should be carried out by qualified personnel with the relevant technical knowledge. The vehicle manufacturers' current technical notices and information on retrofitting must be followed. The removal and replacement instructions found in the current repair manuals must be followed. It must be ensured that the vehicle is technically suitable for the installation of a trailer hitch. The vehicle's fault memory must be read out. In the event of functional problems, troubleshooting must be limited to about 0.5 hours, contact the installers support.



	↩	↔	↔	⏚ 1-8	↩	☀	⊘	☀	Reverse	15 Amp	—	⏚ 10	—	⏚ 9
7 PIN	1/L	2/54g	8	3/31	4/R	5/58-R	6/54	7/58-L	X	X	X	X	X	X
13 PIN	1/L	2/54g	2a	3/31	4/R	5/58-R	6/54	7/58-L	8	9	10	11	12	13
Pmax	21W	21W	X	X	21W	42W	3x21W	42W	21W	180W/15Amp				
ISO	Yellow	Blue	Grey	White	Green	Brown	Red	Black	Black/Red	Brown/White	Red	White	Red/Blue	White
VAG	Black/White	Blue	Grey	Brown	Green/Black	Grey/Red	Black/Red	Grey/Black	Black	Red	Yellow	Brown	Red/Blue	Brown



For full installation instructions please visit our website:
www.ecs-electronicsuk.co.uk