

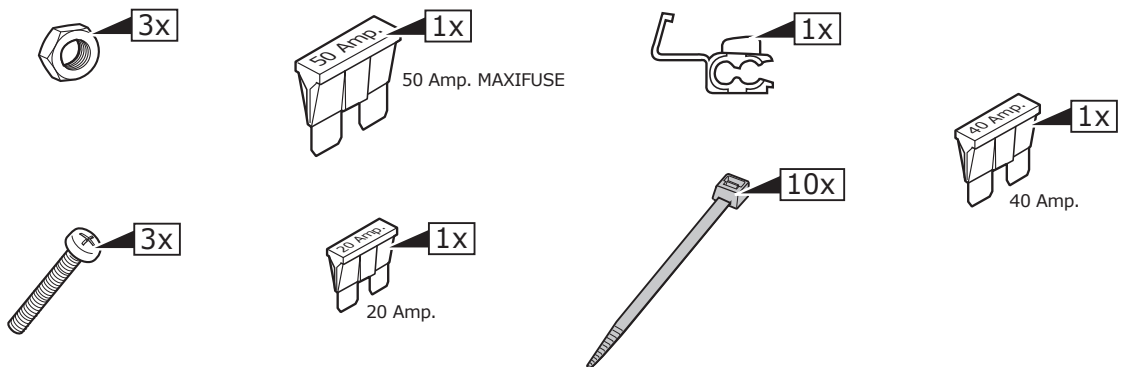
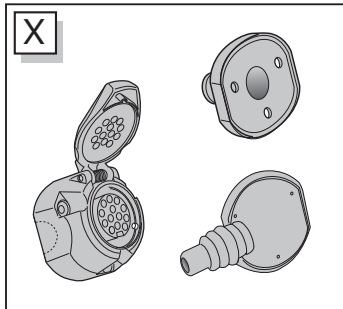
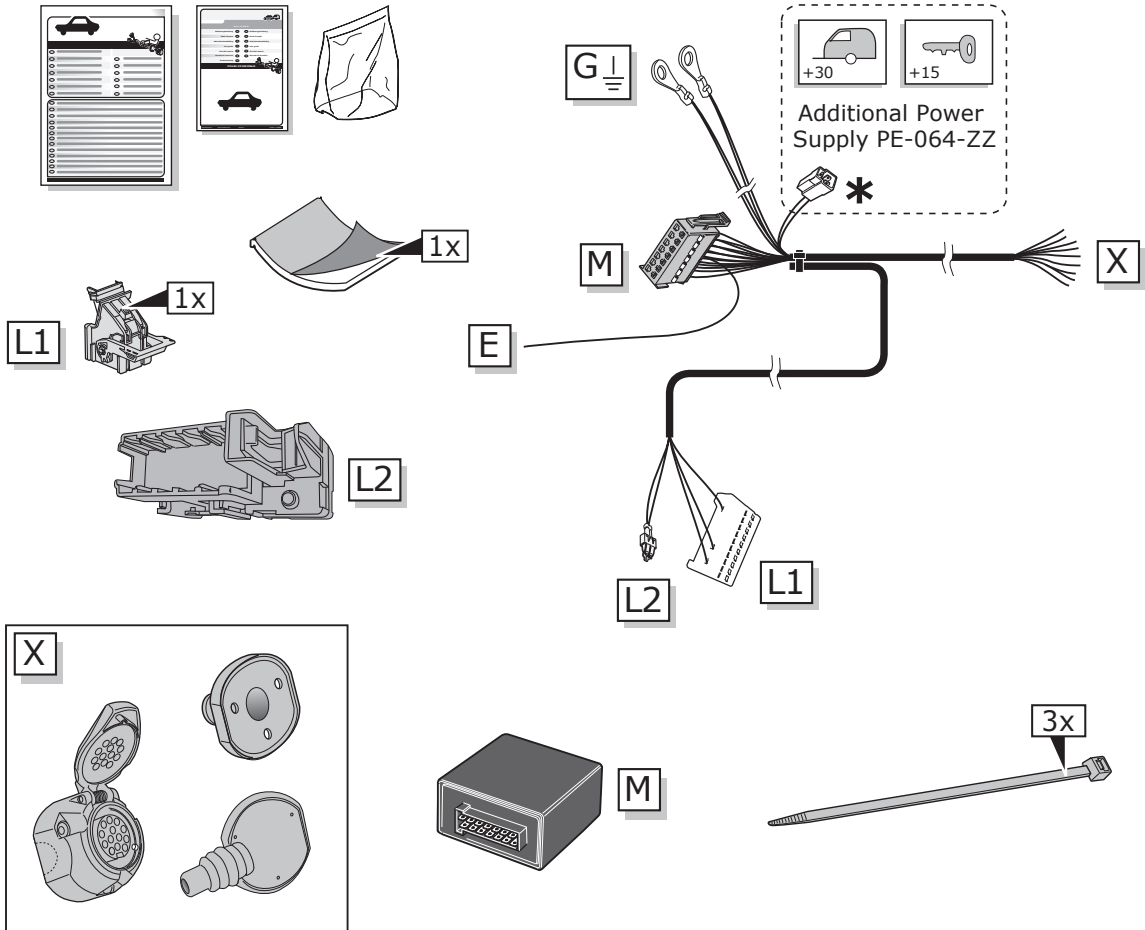
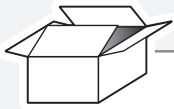
Citroën C3 12/2016 >> 07/2020
Citroën C3 08/2020 >>

Partnr.: PE-065-D1U

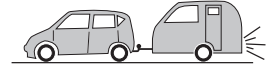
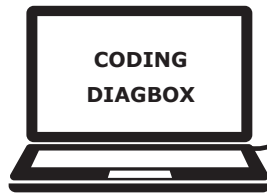
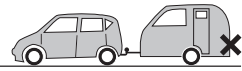
- Fitting instructions electric wiring kit tow bar with 13-P socket up to DIN/ISO Norm 11446.
- We would expressly point out that assembly not carried out properly by a competent installer will result in cancellation of any right to damage compensation, in particular those arising by virtue of the product liability act.
- Contents of these kits and their fitting manuals are subject to alteration without notice, please ensure that these instructions are read and fully understood before commencing installation.
- Do not overload circuits; the maximum loads per connection are detailed in this manual.
- Attention! Before Installation, please read this manual carefully and inform your customer to consult the vehicle owners manual to check for any vehicle modifications required before towing.
- In the event of functional problems, troubleshooting must be limited to about 0.5 hours, contact the technical support:
ukts@ecs-electronics.com / 07440 202 052.



Part list

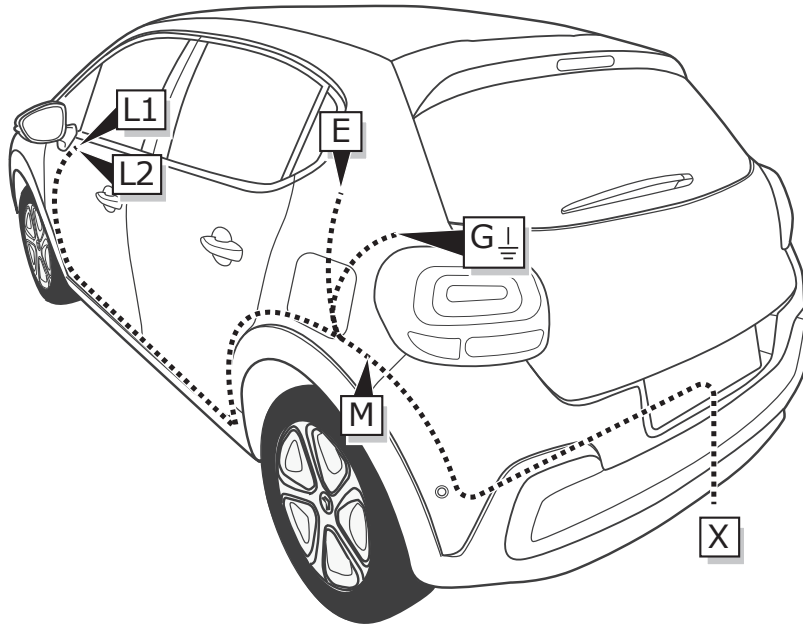


INFO

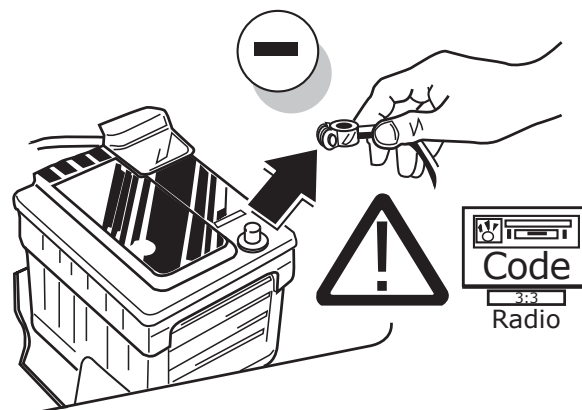


Code vehicle for lighting functions

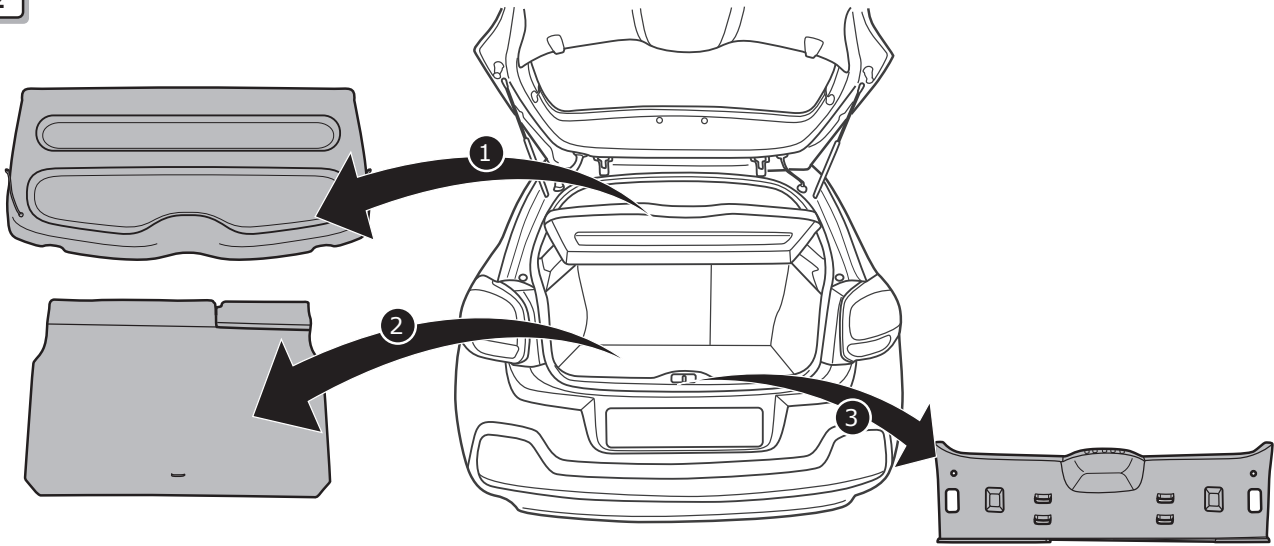
ROUTING



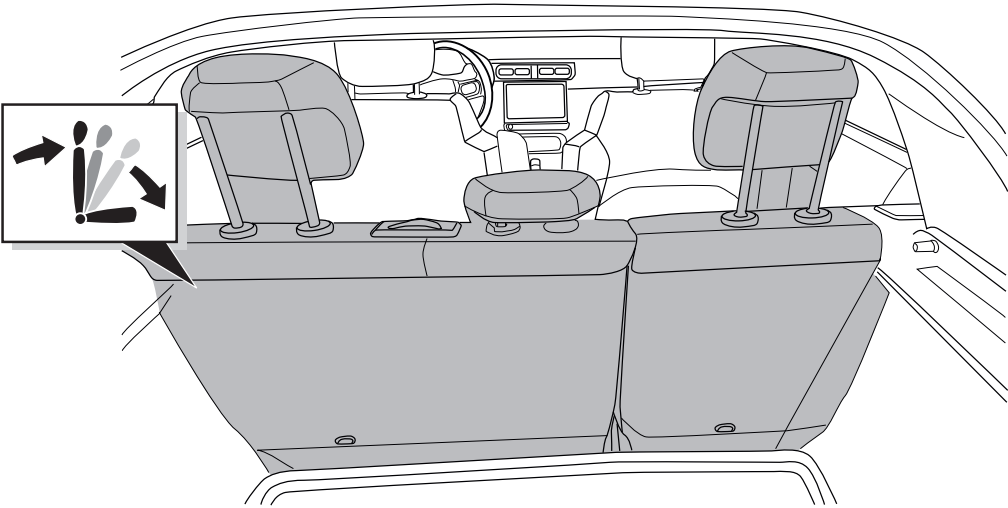
1



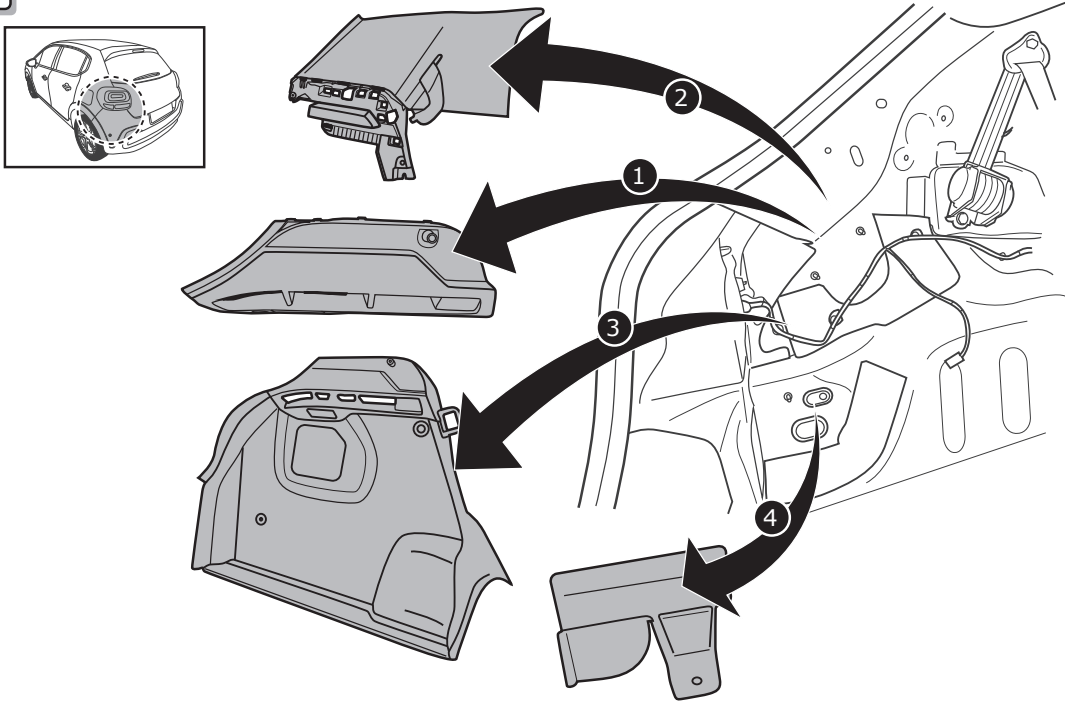
2



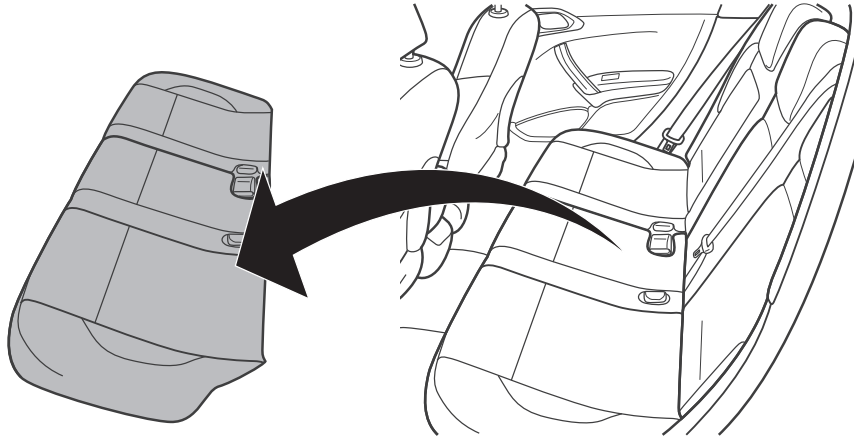
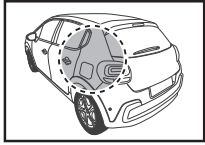
3



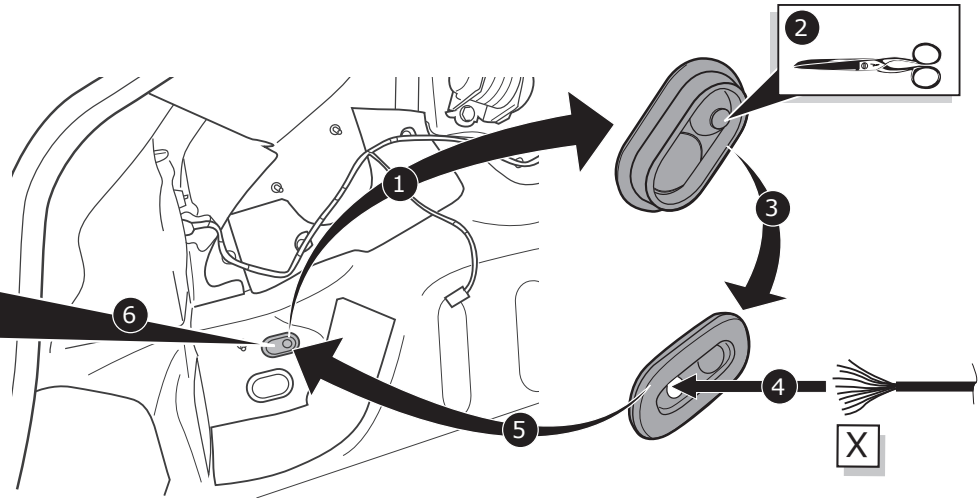
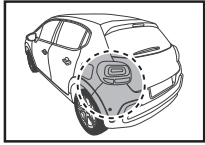
4



5

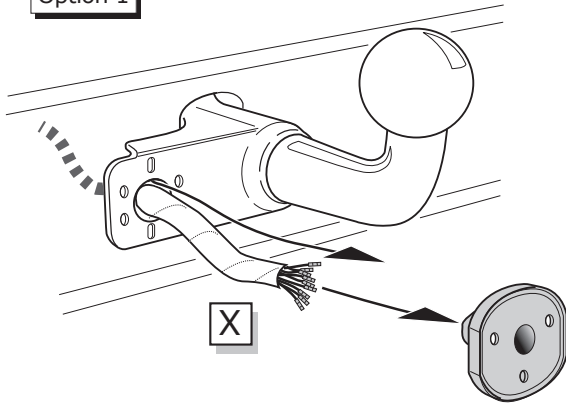


6

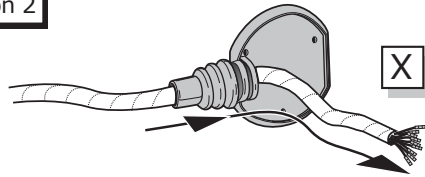


A

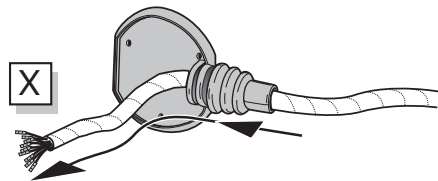
Option 1



Option 2



Option 3



INFO

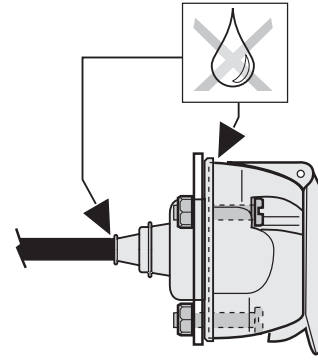
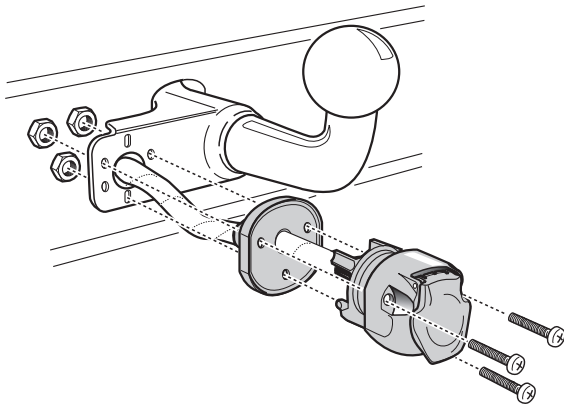
SOCKET CONNECTION



Page 15

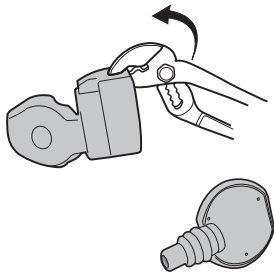
B

Option 1

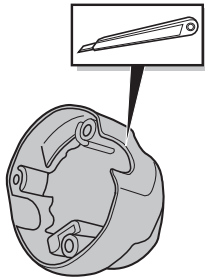
**C**

Option 2

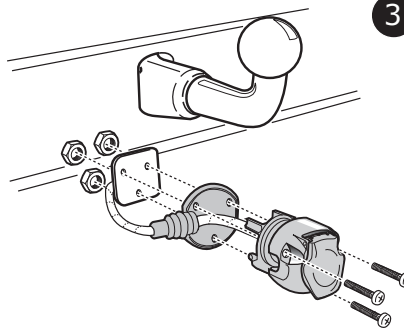
1



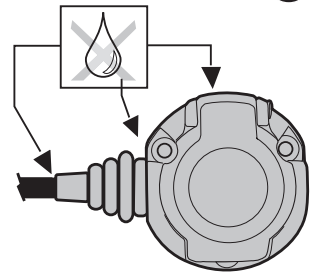
2



3

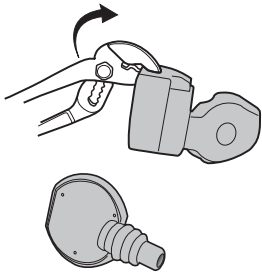


4

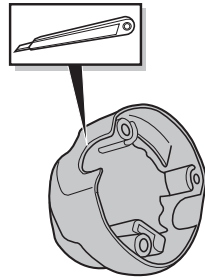
**D**

Option 3

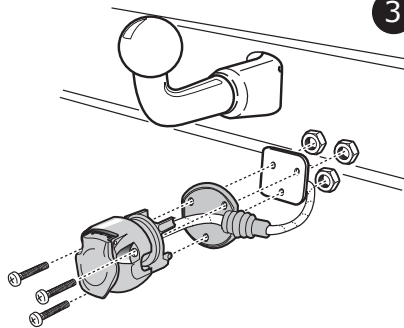
1



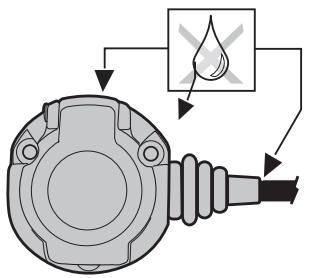
2



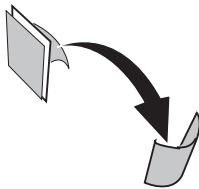
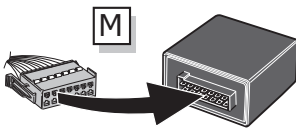
3



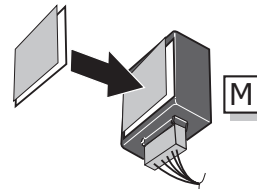
4

**7**

1



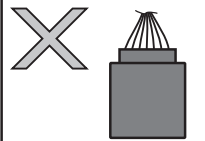
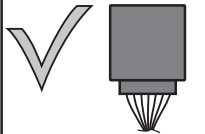
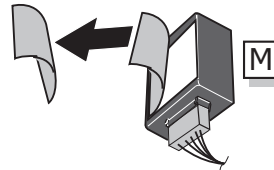
2



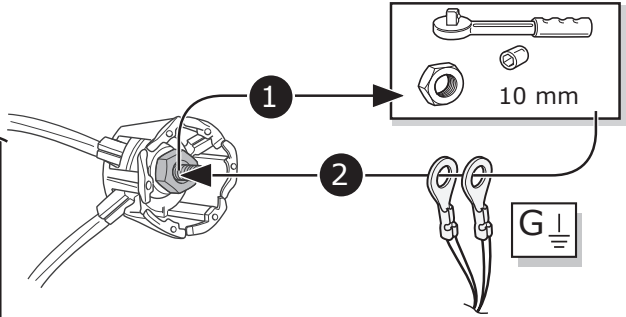
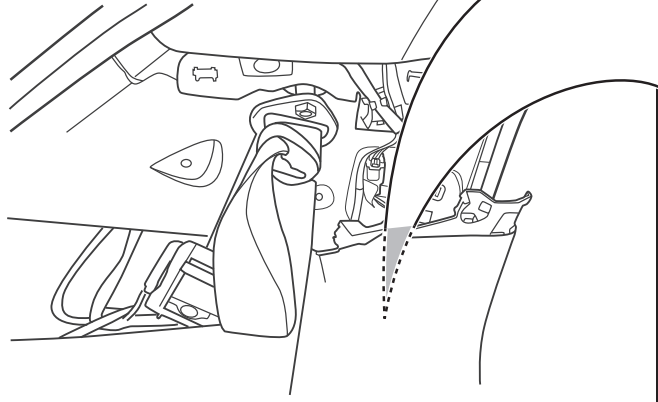
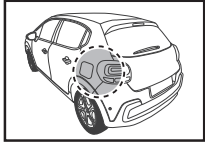
3



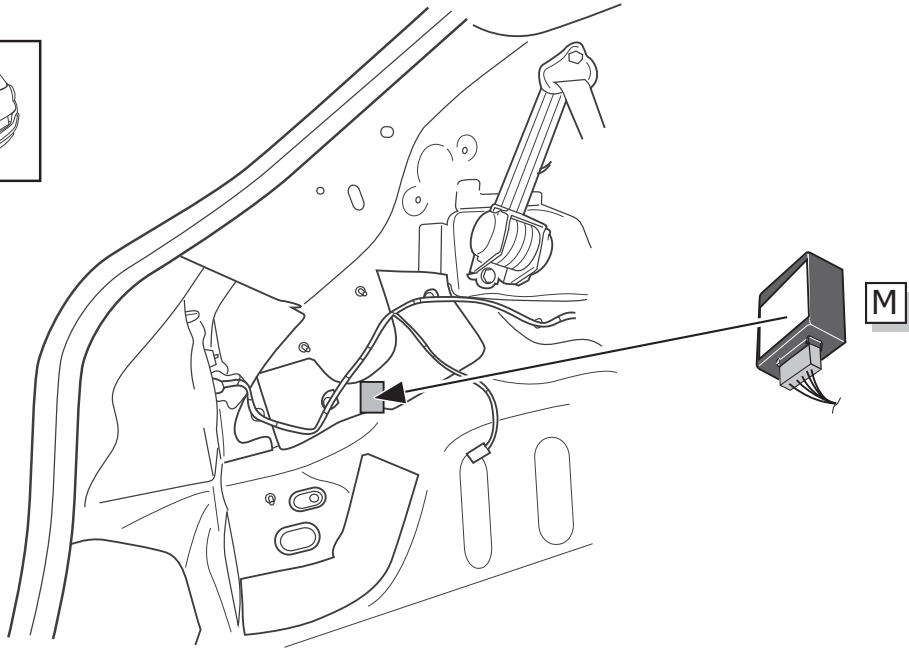
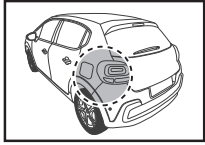
4



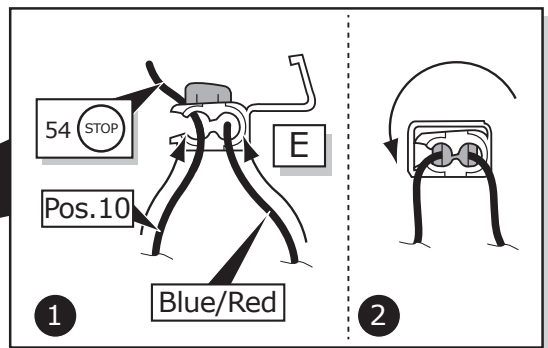
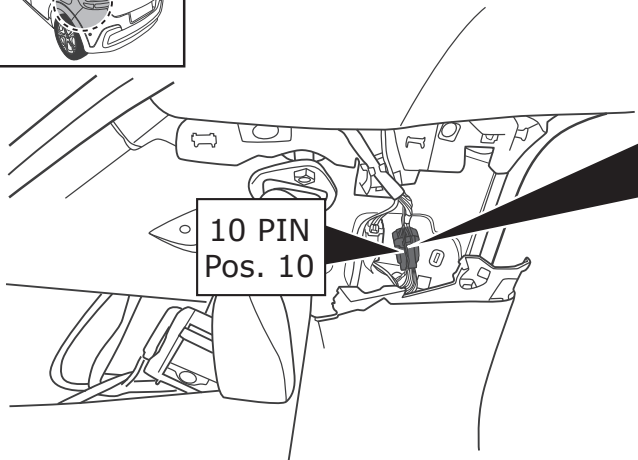
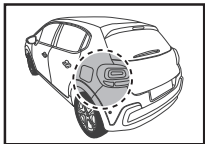
8



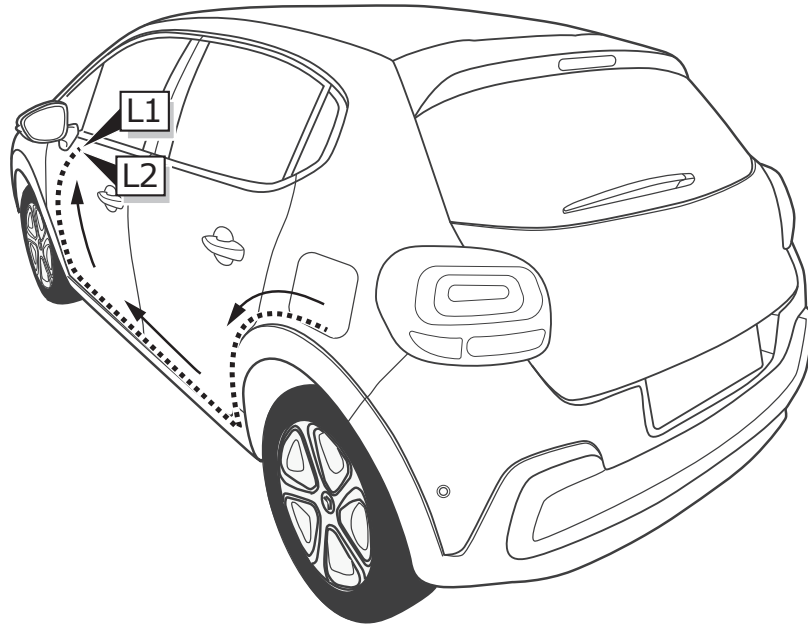
9



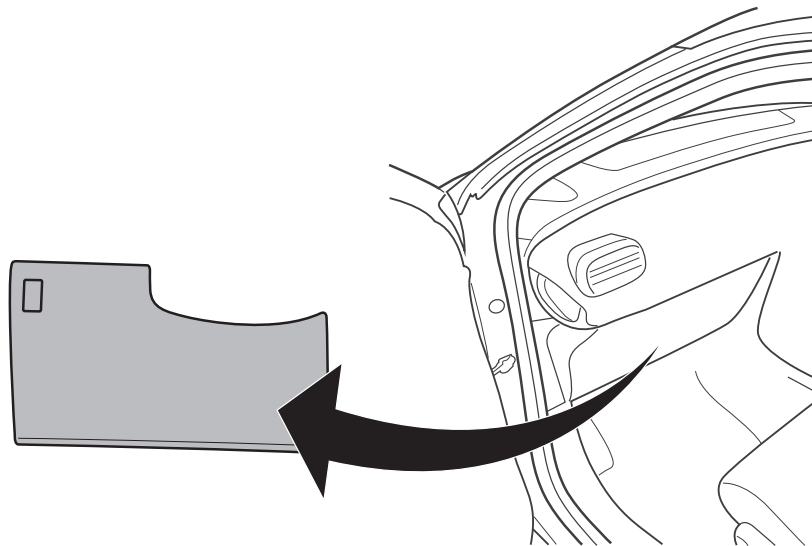
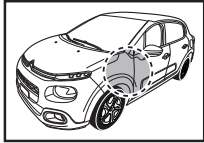
10



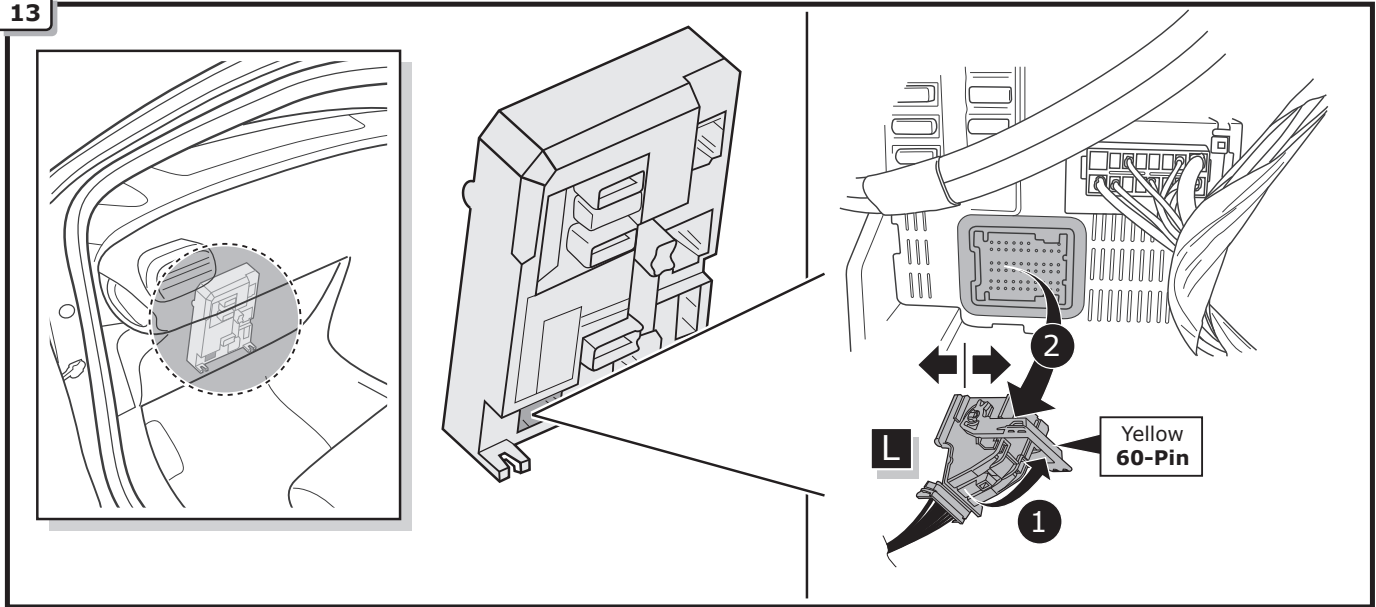
11



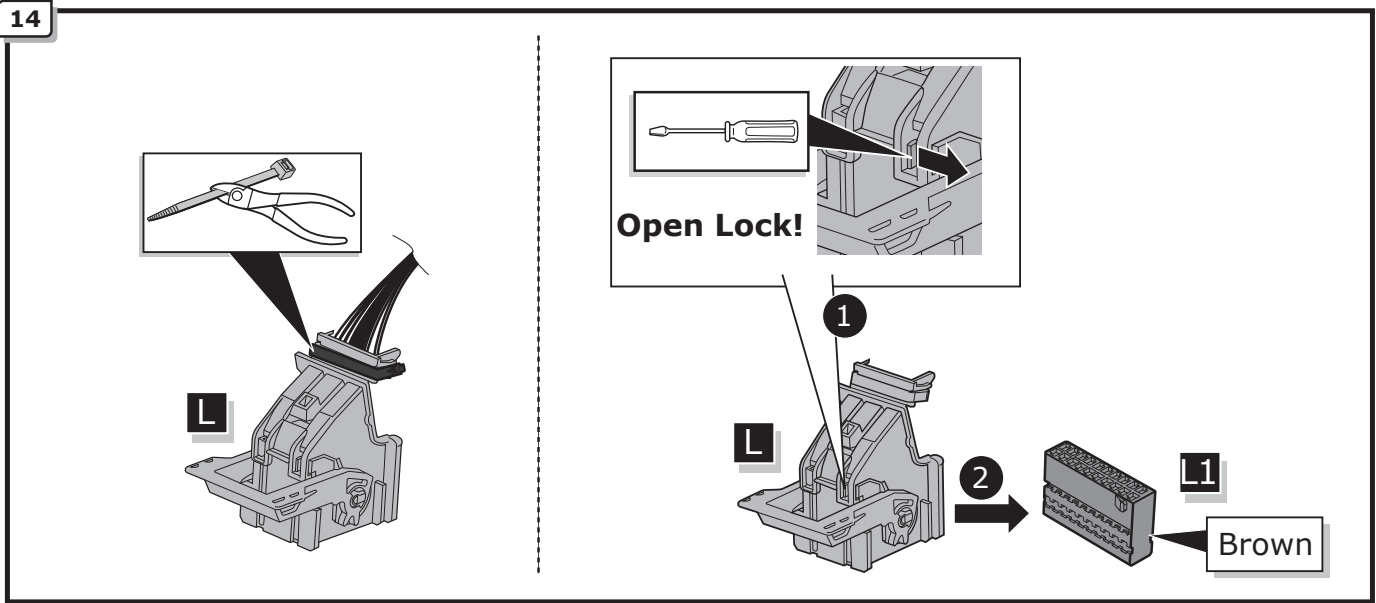
12



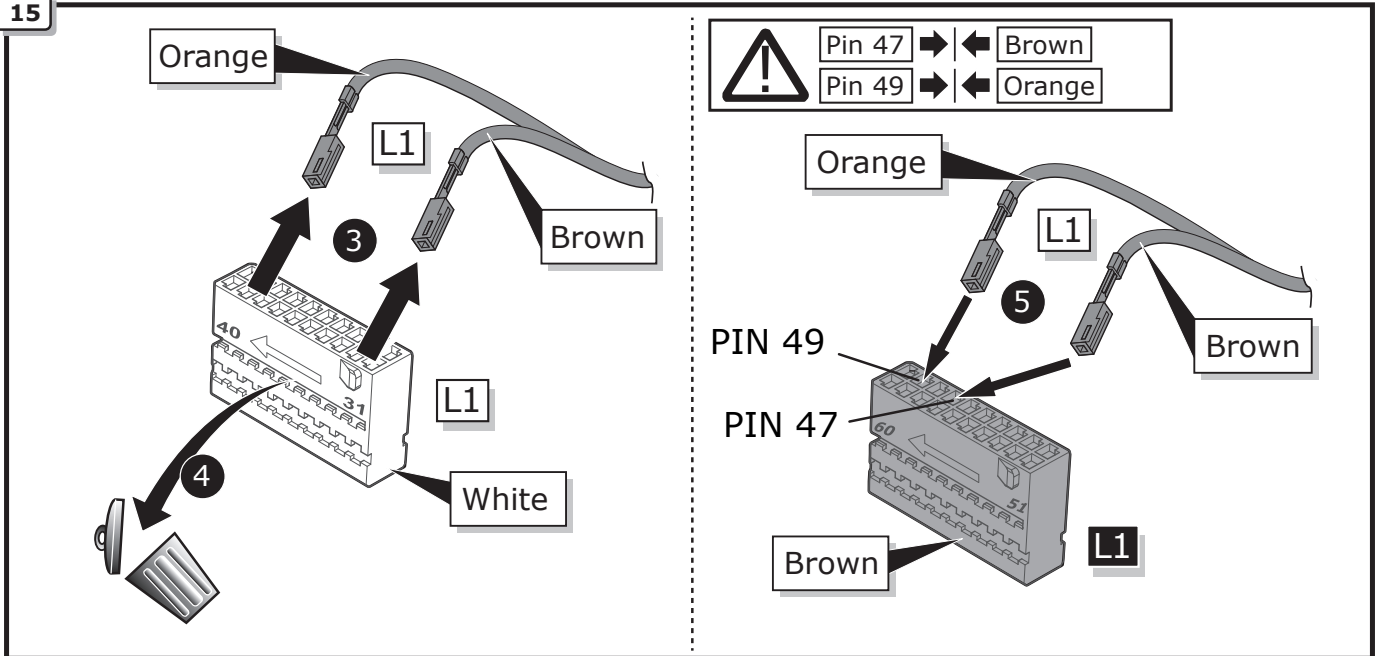
13



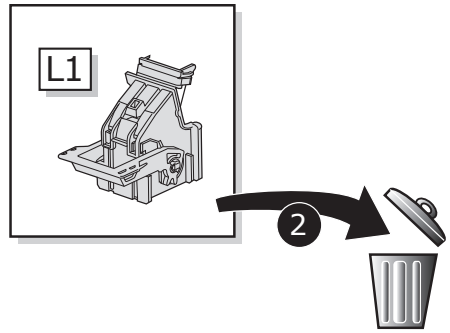
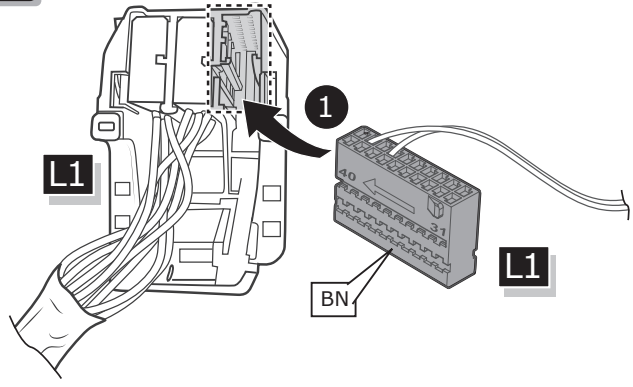
14



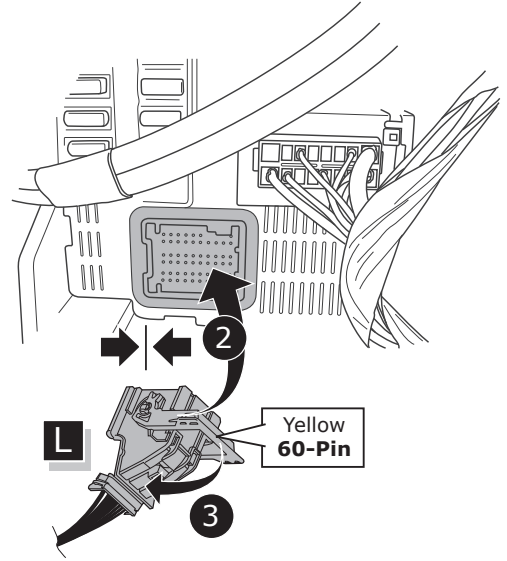
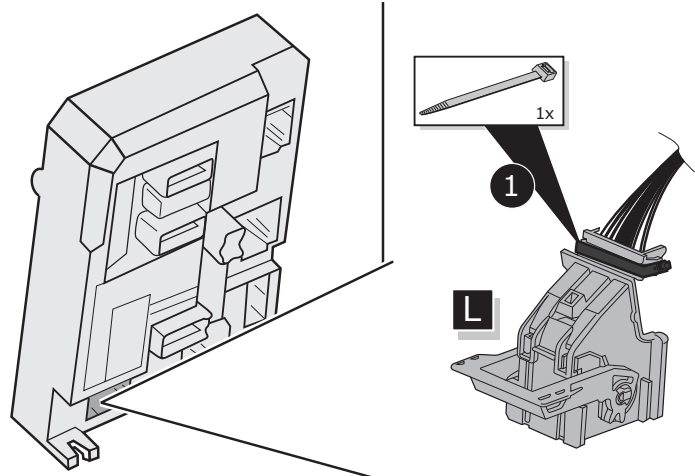
15



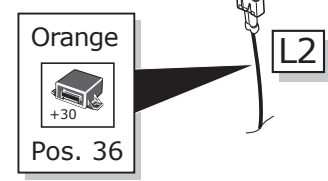
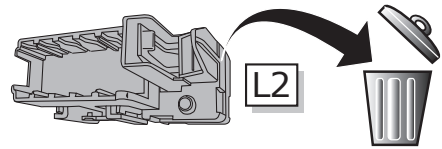
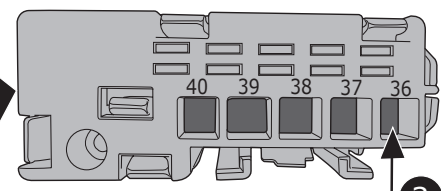
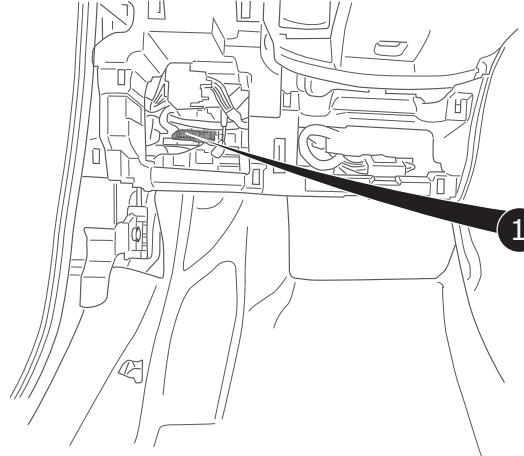
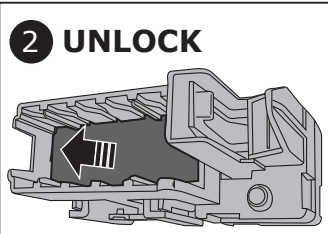
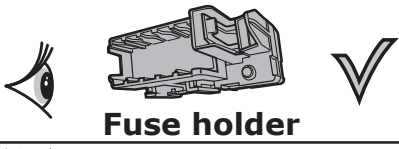
16

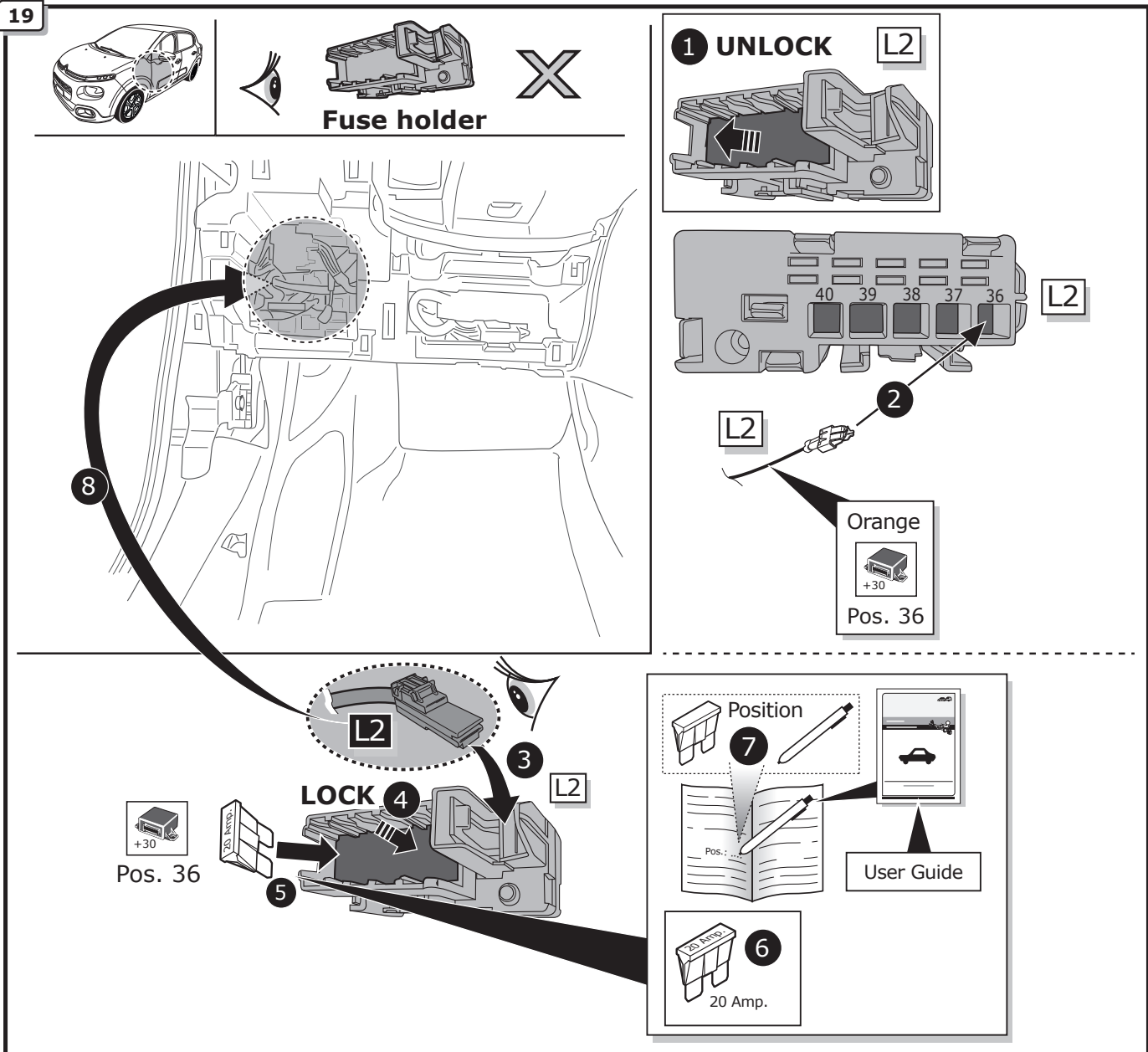
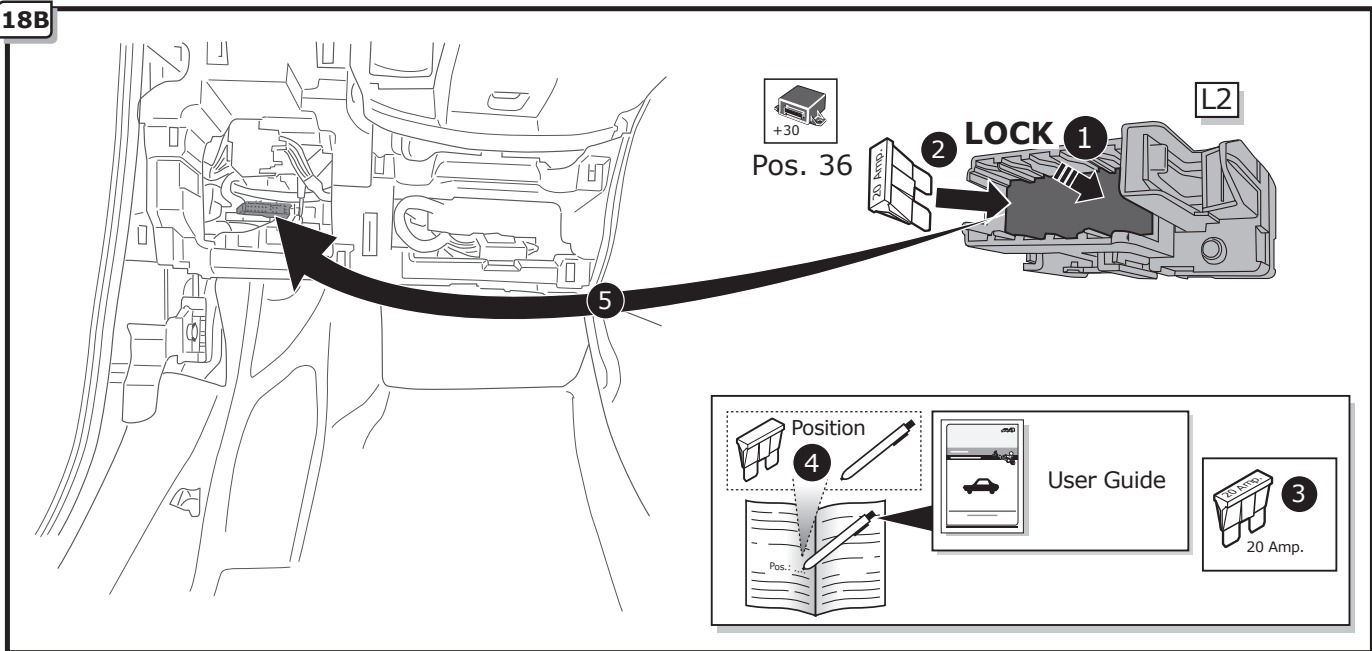


17

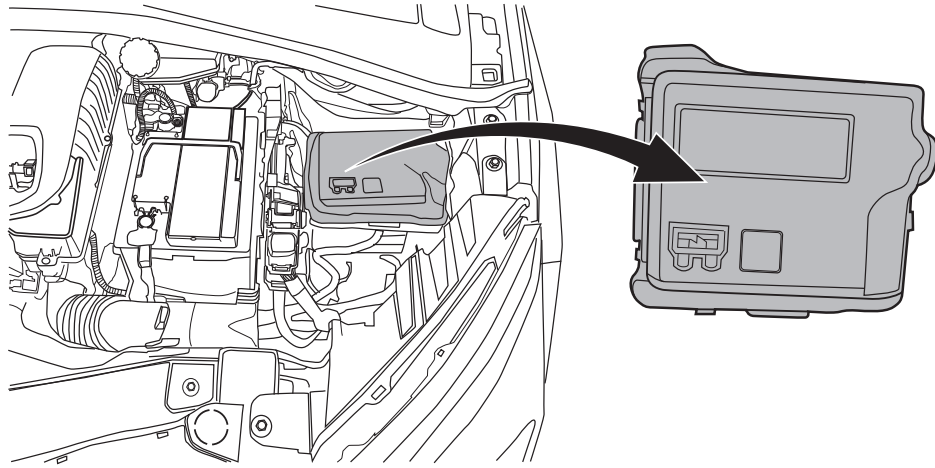
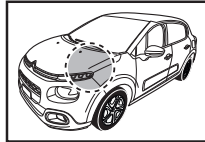


18A

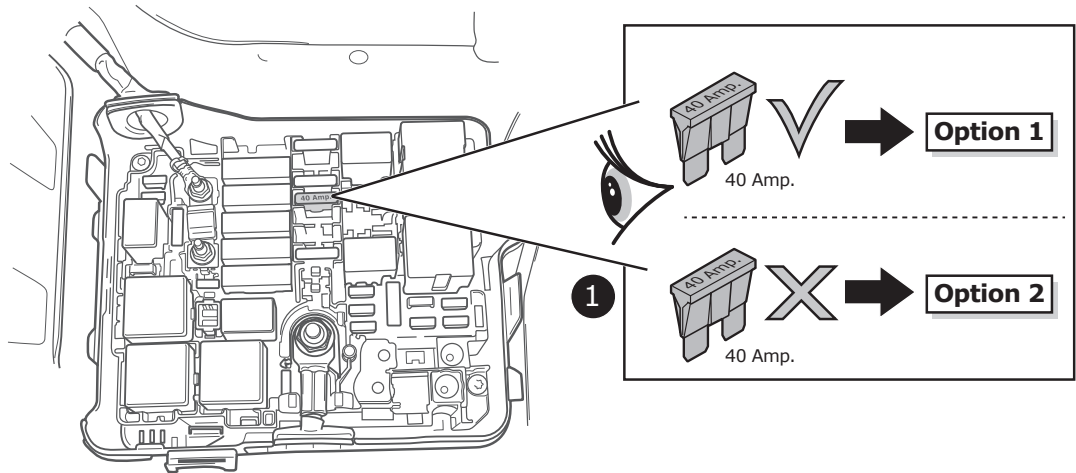
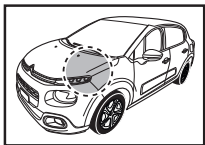




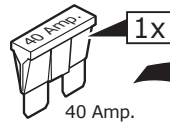
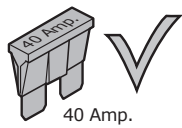
20



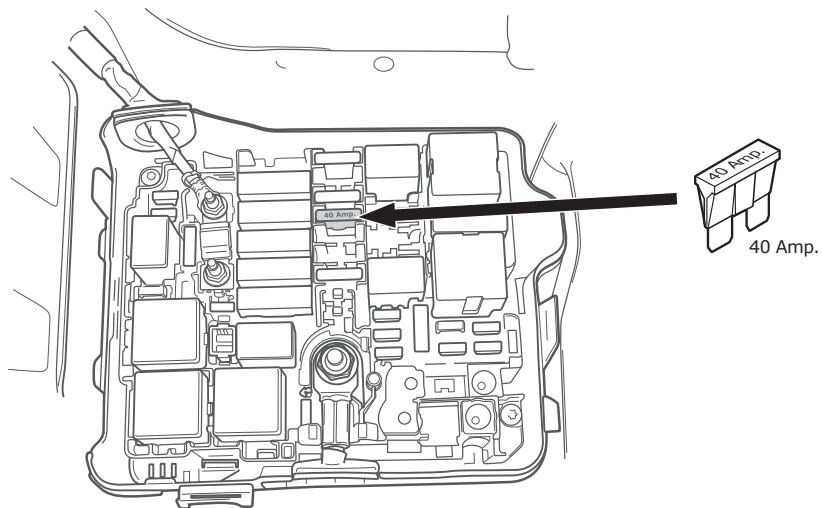
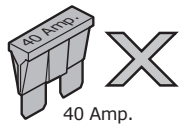
21



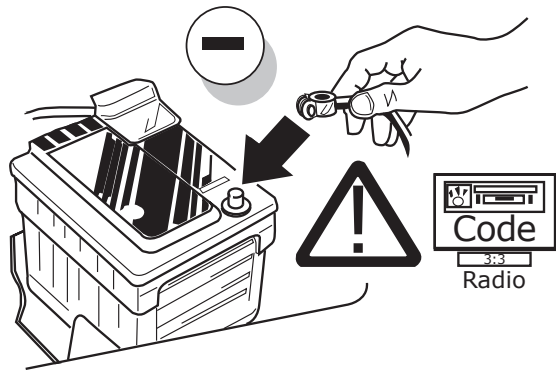
Option 1



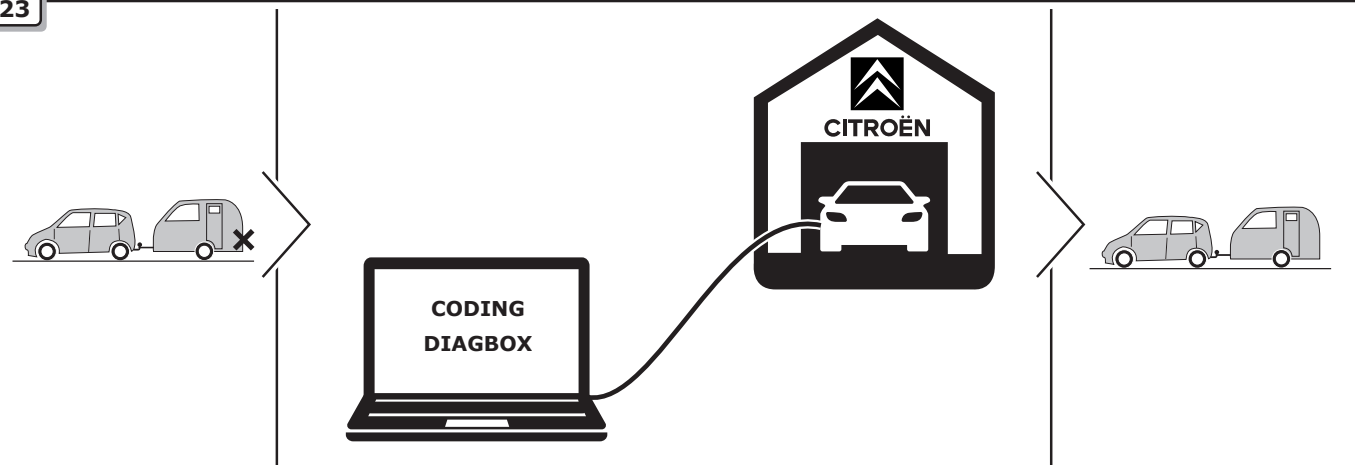
Option 2



22



23

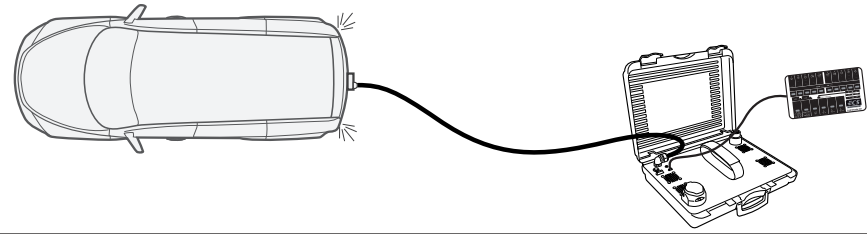
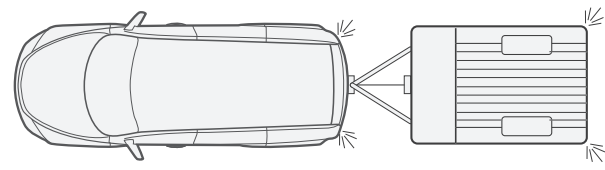
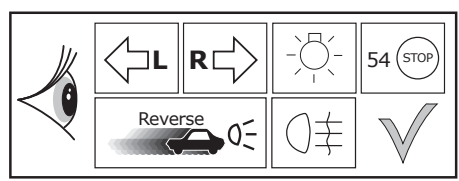


The activation of the trailer functions has to be carried out using the **CITROËN DIAGBOX** as follows:

- choose vehicle
- delivery
- equipment
- trailer control unit (BSR)
- installation of equipment

24

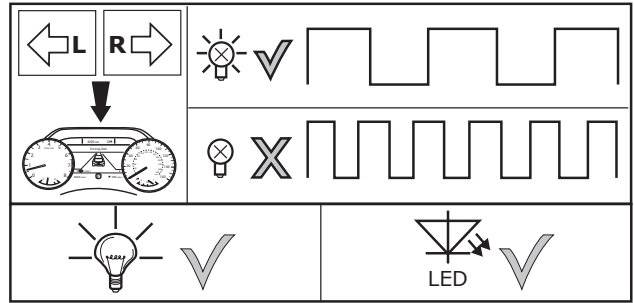
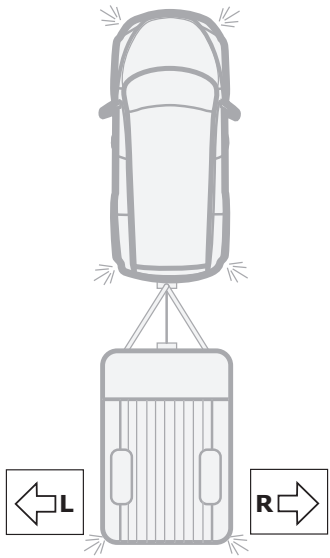
Functional test



LIGHTMATE

ECS part no.
LIGHTMATE II
LIGHTMATE III

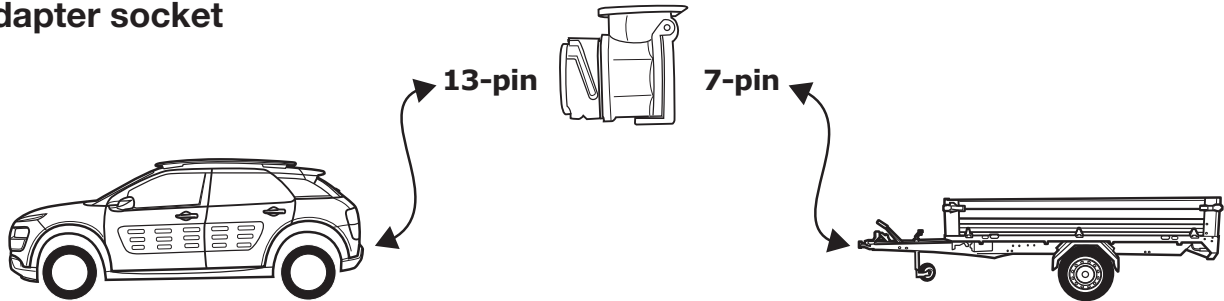
25



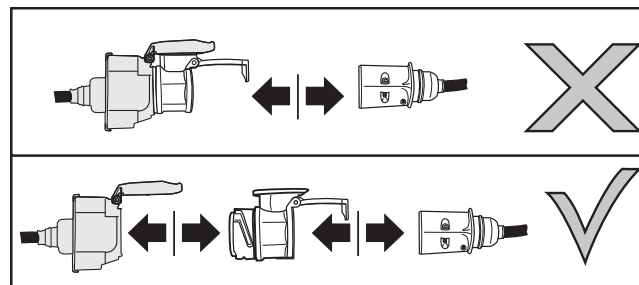
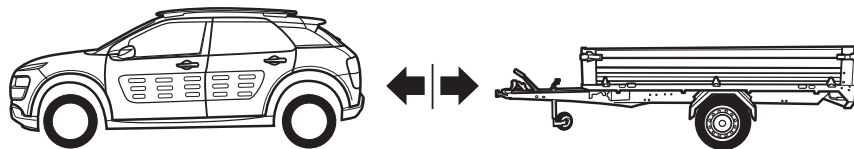
26

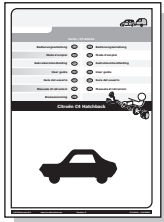
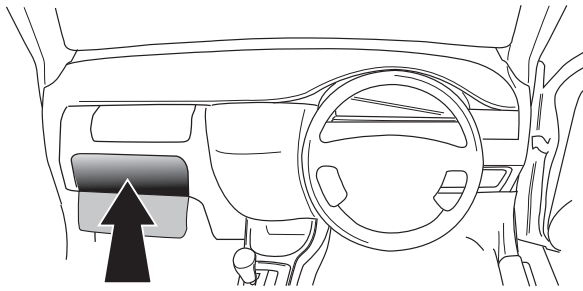
Optional

Adapter socket



27





User guide



INFO

SOCKET CONNECTION

DIN/ISO 11446												—	
	1/L	2	3/31	4/R	5/58-R	6/54	7/58-L	8	9	10	11	12	13
Pmax	21W	21W		21W	52W	3x21W	52W	21W	180W/15Amp	180W/15Amp			
Colour	Yellow	Blue	White	Green	Brown	Red 1,00 mm ²	Black	Black/ Red	Brown/ White	Red 2,50 mm ²	White	-	White