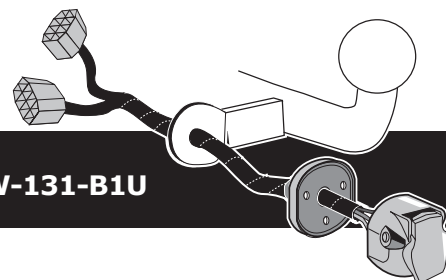


**VW Golf VII 5G Limoside 10/2012 - 04/2014**  
**VW Golf VII 5G Variant 08/2013 - 04/2014**



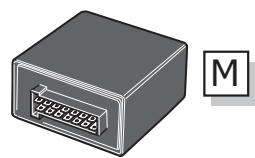
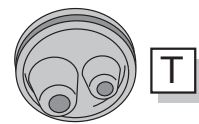
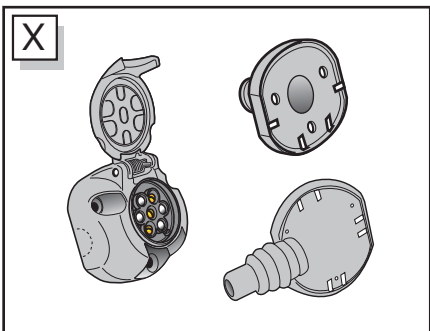
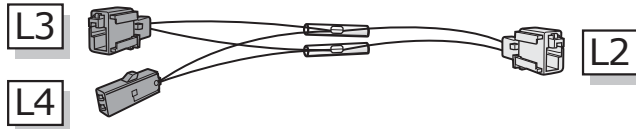
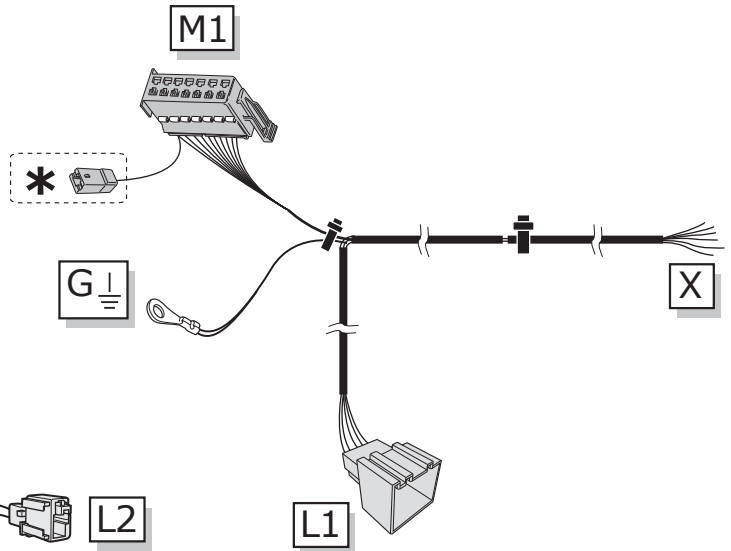
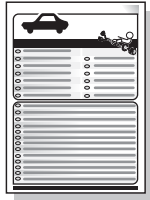
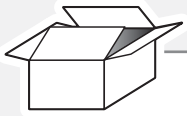
**Only for models with towbar preparation**

**Partnr.: VW-131-B1U**

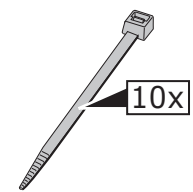
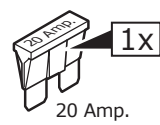
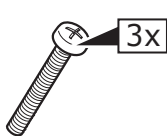
- Fitting instructions electric wiring kit tow bar with 12-N socket up to DIN/ISO Norm 1724.
- We would expressly point out that assembly not carried out properly by a competent installer will result in cancellation of any right to damage compensation, in particular those arising by virtue of the product liability act.
- Contents of these kits and their fitting manuals are subject to alteration without notice, please ensure that these instructions are read and fully understood before commencing installation.
- Do not overload circuits; the maximum loads per connection are detailed in this manual.
- Attention! Before Installation, please read this manual carefully and inform your customer to consult the vehicle owners manual to check for any vehicle modifications required before towing.
- In the event of functional problems, troubleshooting must be limited to about 0.5 hours, contact the technical support:  
[ukts@ecs-electronics.com](mailto:ukts@ecs-electronics.com) / 07440 202 052.

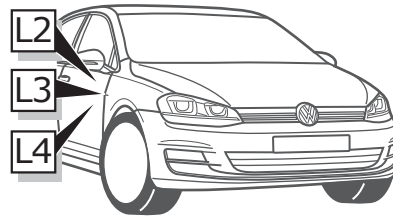
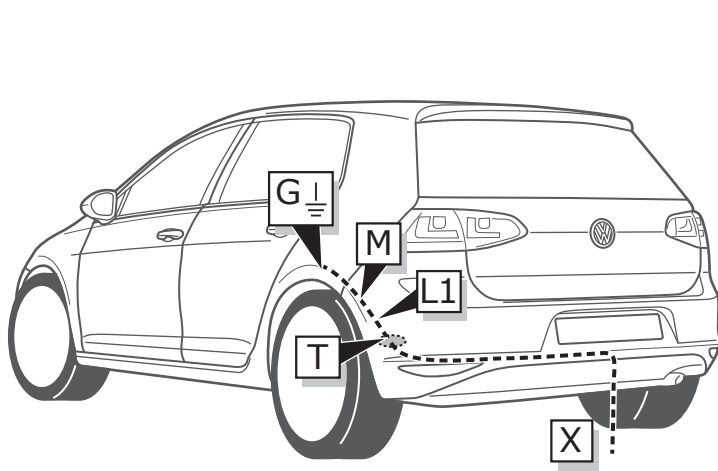


# Part list



\* Reverse signal preparation  
 → **Page 14**

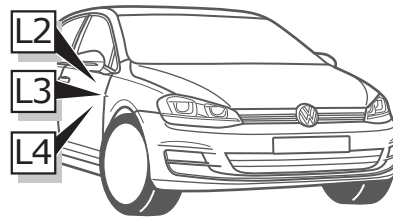
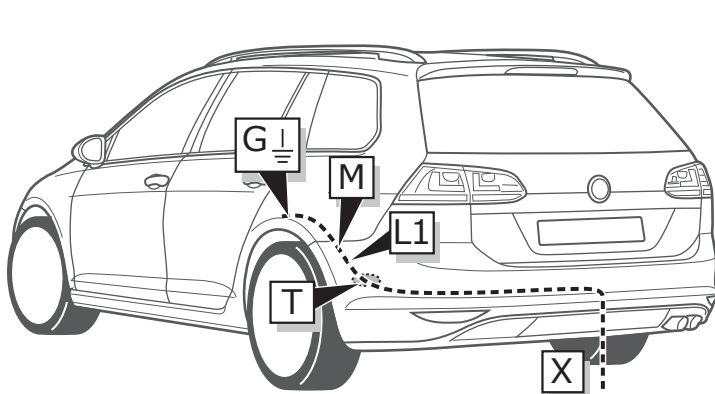




### VW Golf VII 5G Limo



Page 3	→	2	-	10
Page 10	→	19	-	26

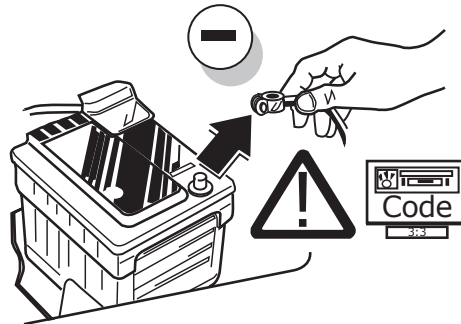


### VW Golf VII 5G Variant

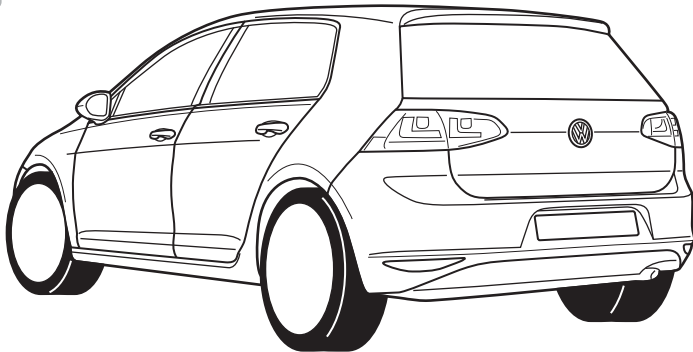


Page 7	→	11	-	26
--------	---	----	---	----

1



2

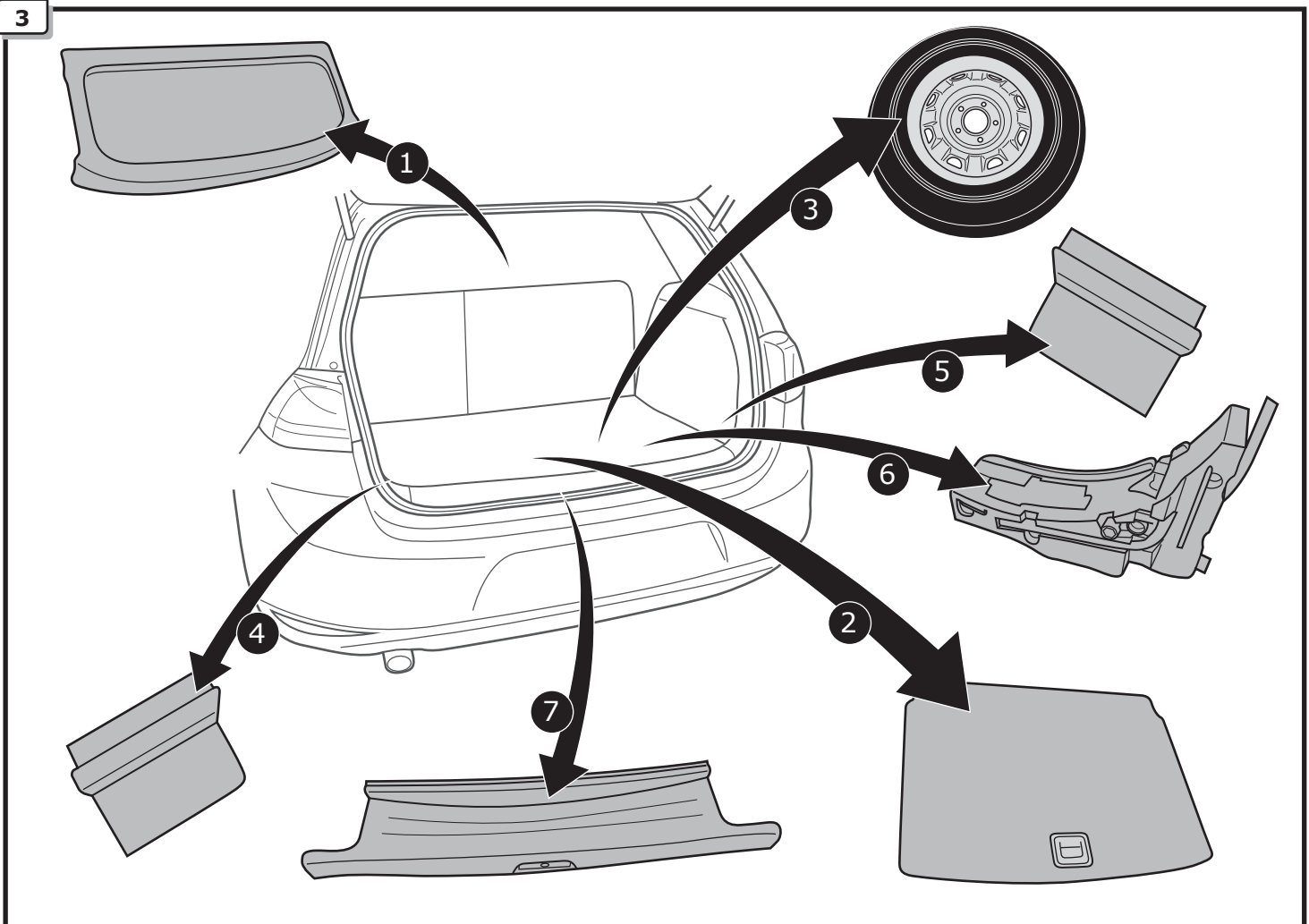


### VW Golf VII 5G Limo

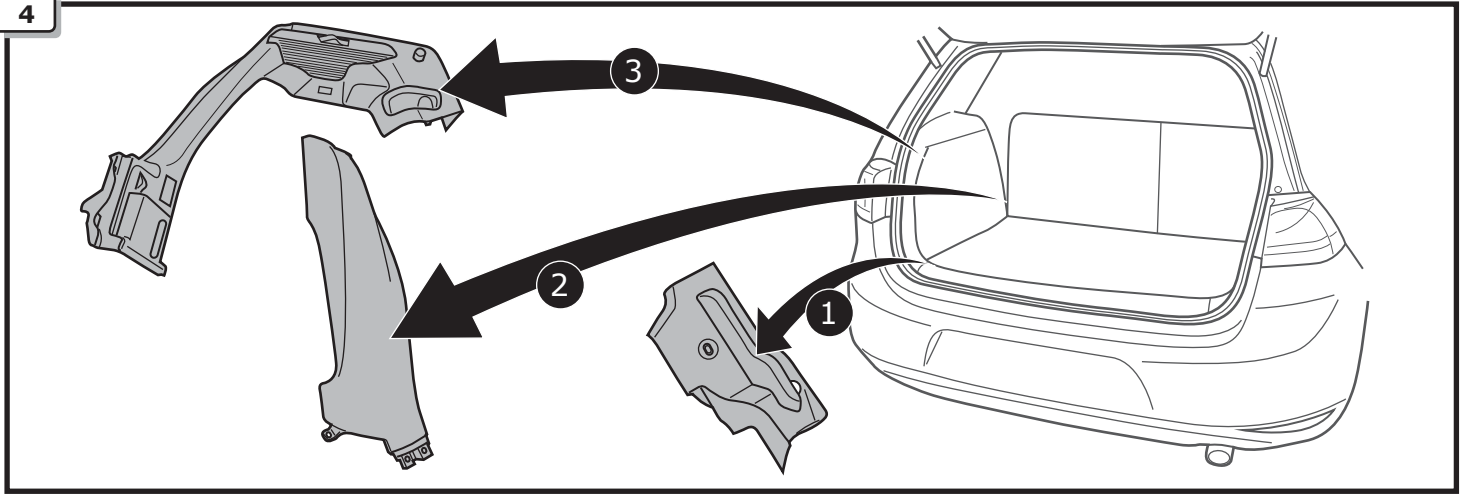


Page 3	→	2	-	10
Page 10	→	19	-	26

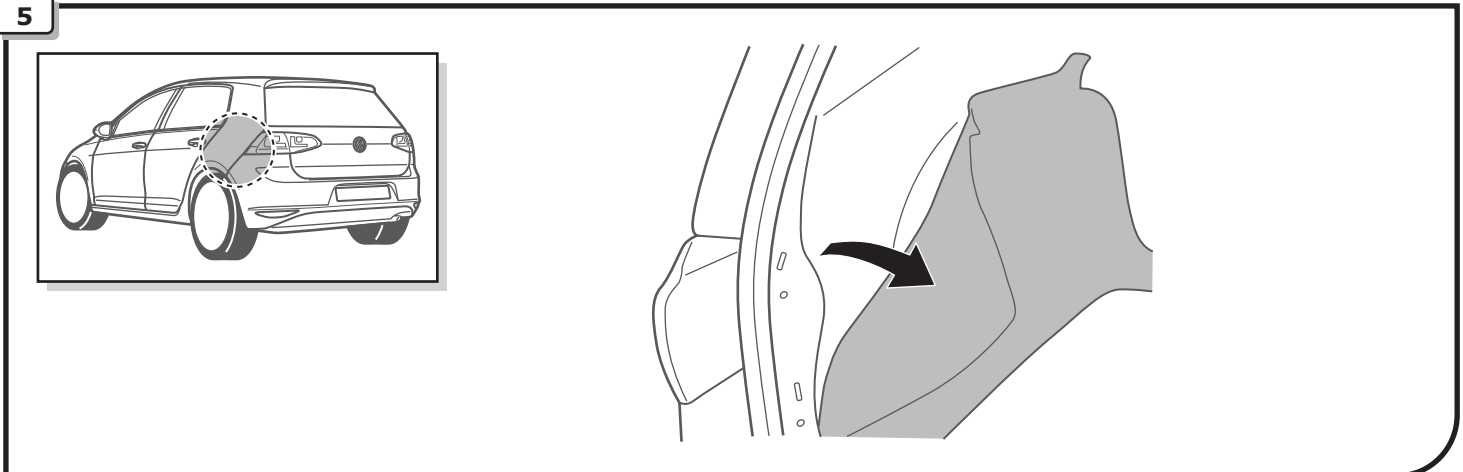
3



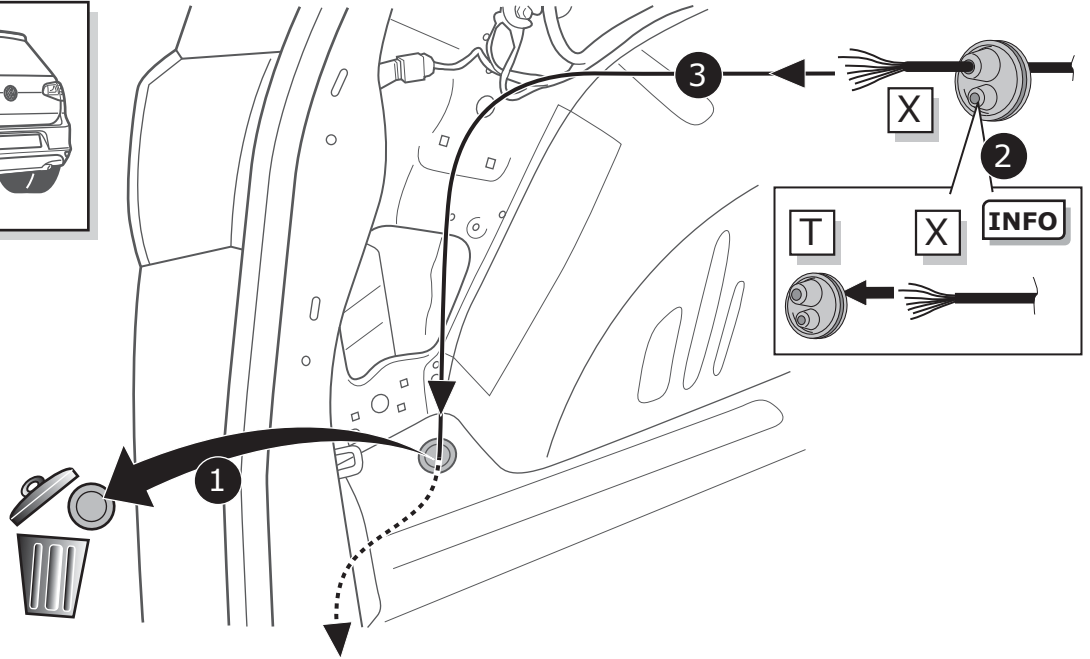
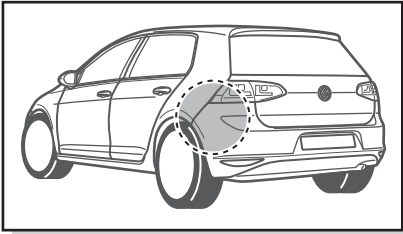
4



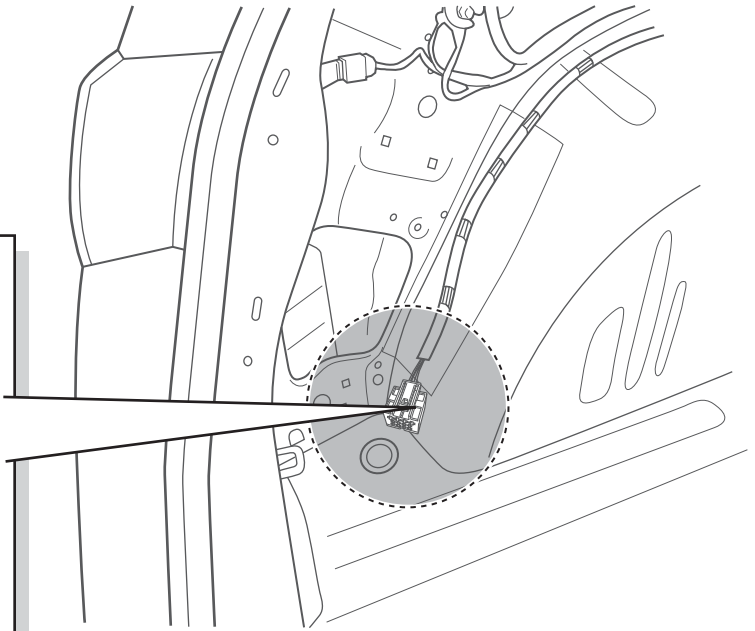
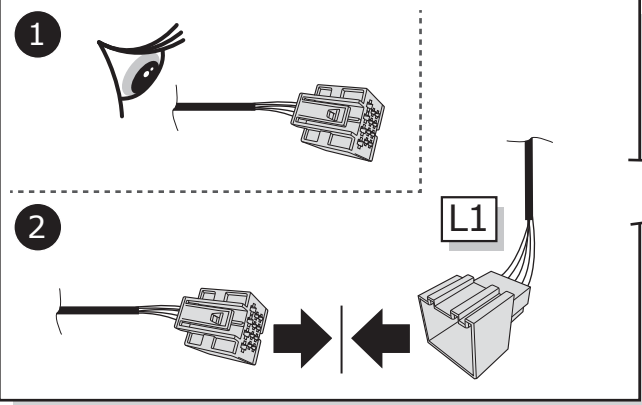
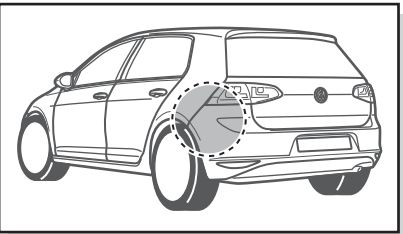
5



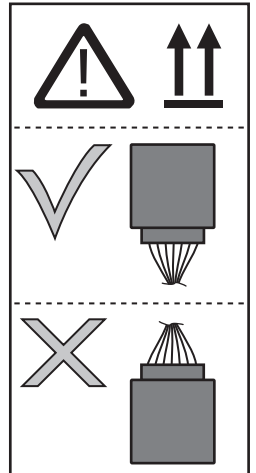
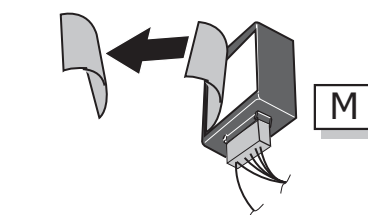
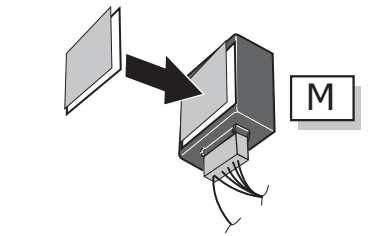
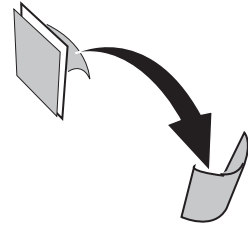
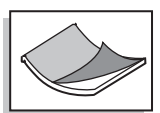
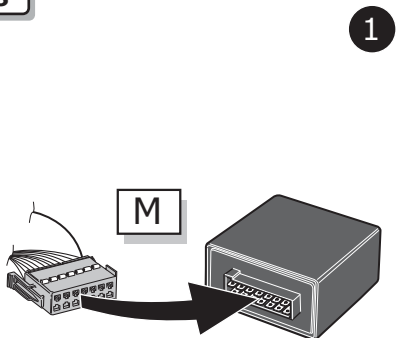
6



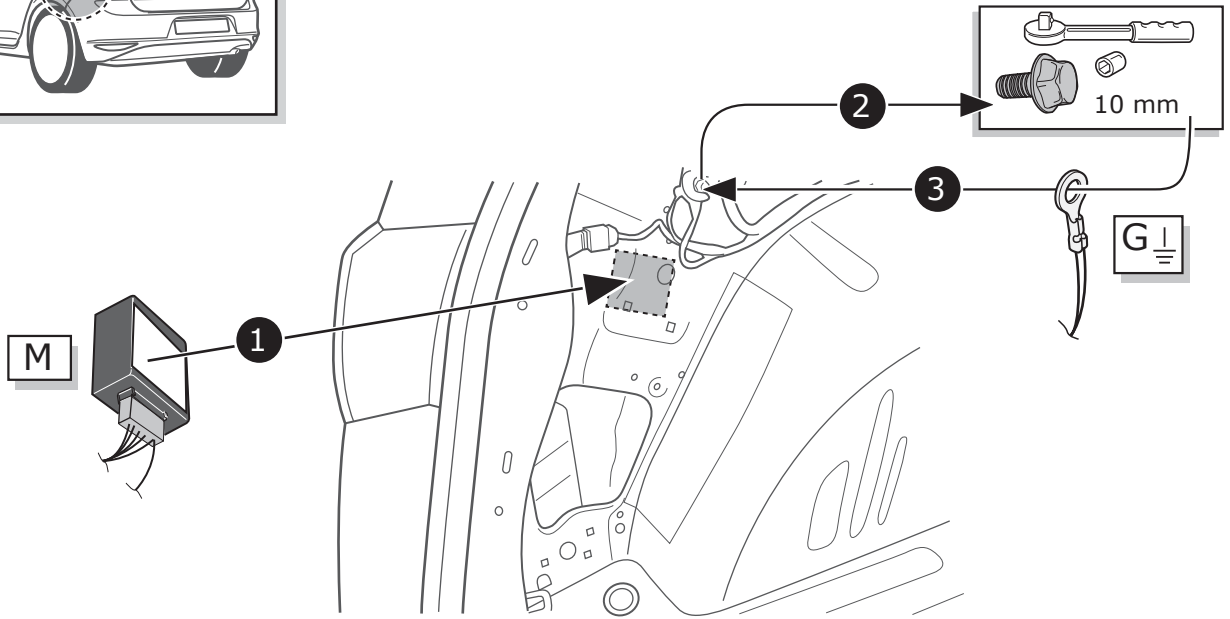
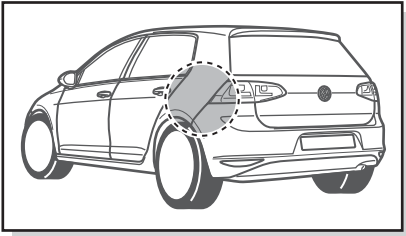
7



8



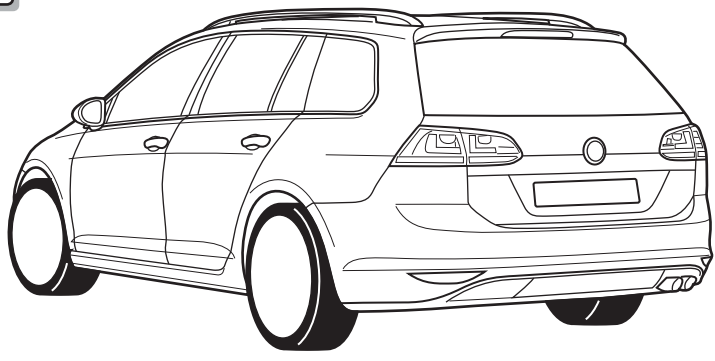
9



10



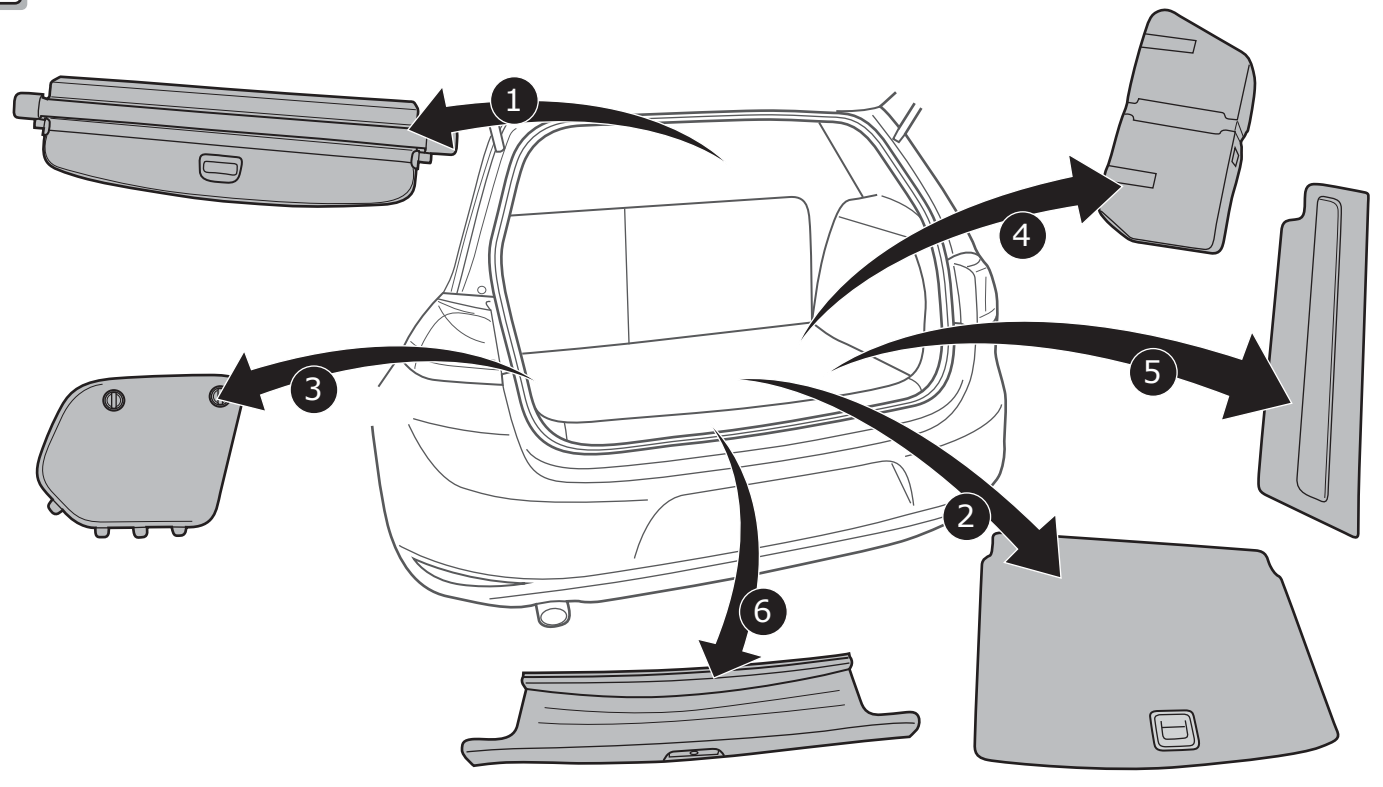
11



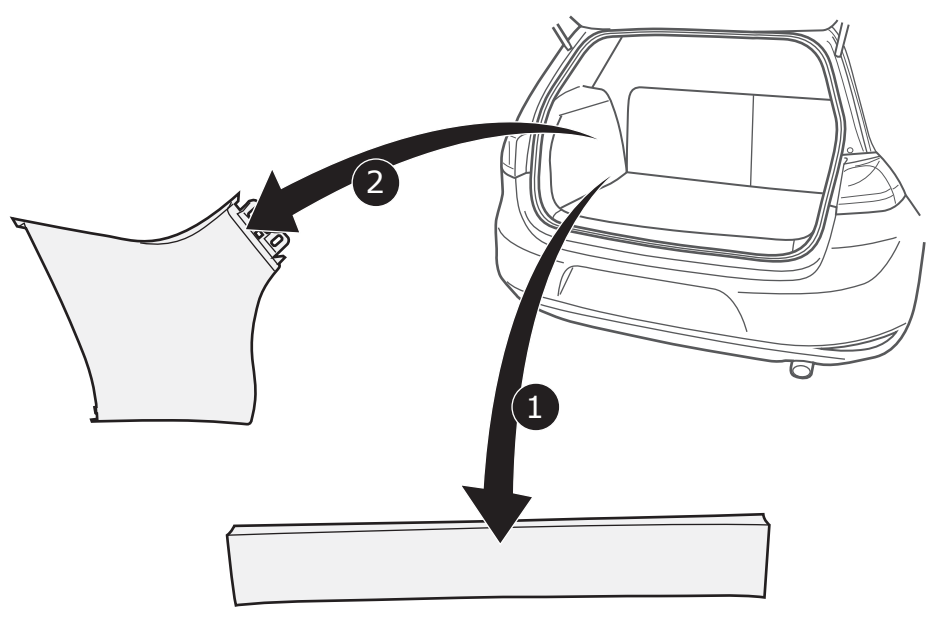
# VW Golf VII 5G Variant

Eye icon → **Page 7** → **11** - **26**

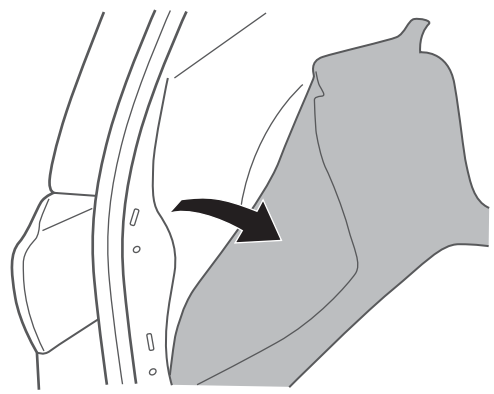
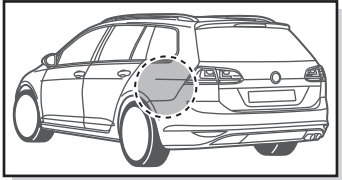
12



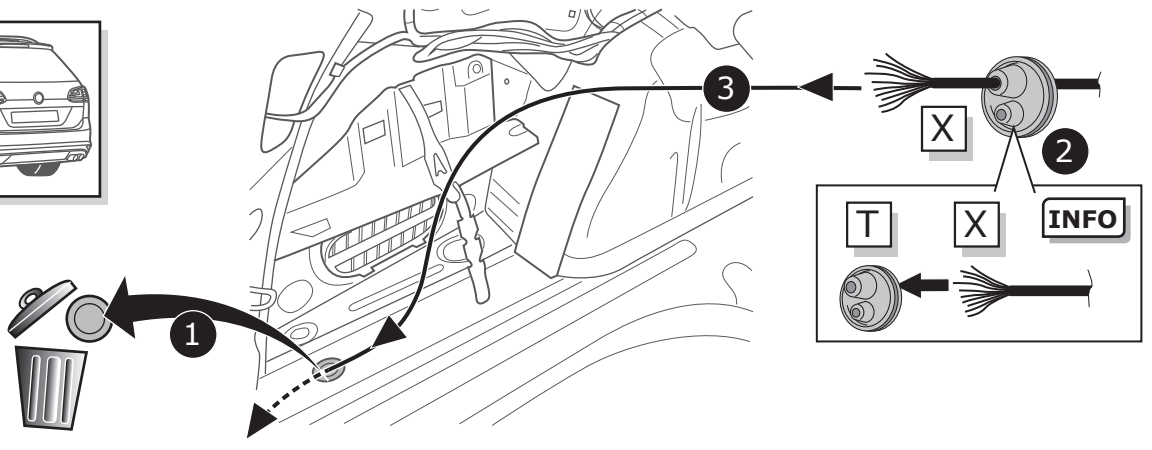
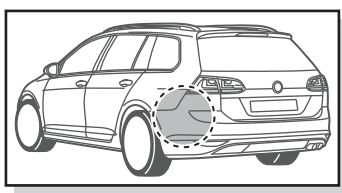
13



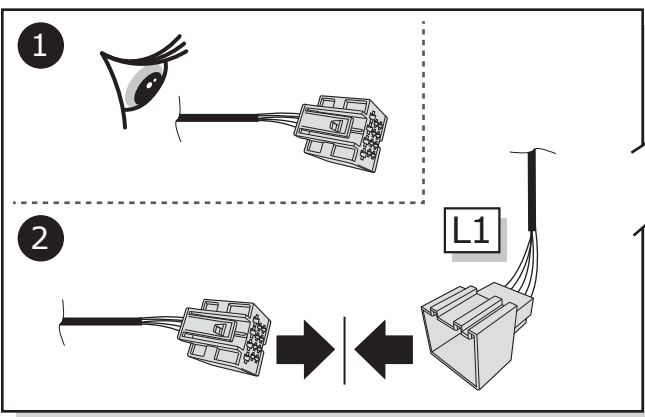
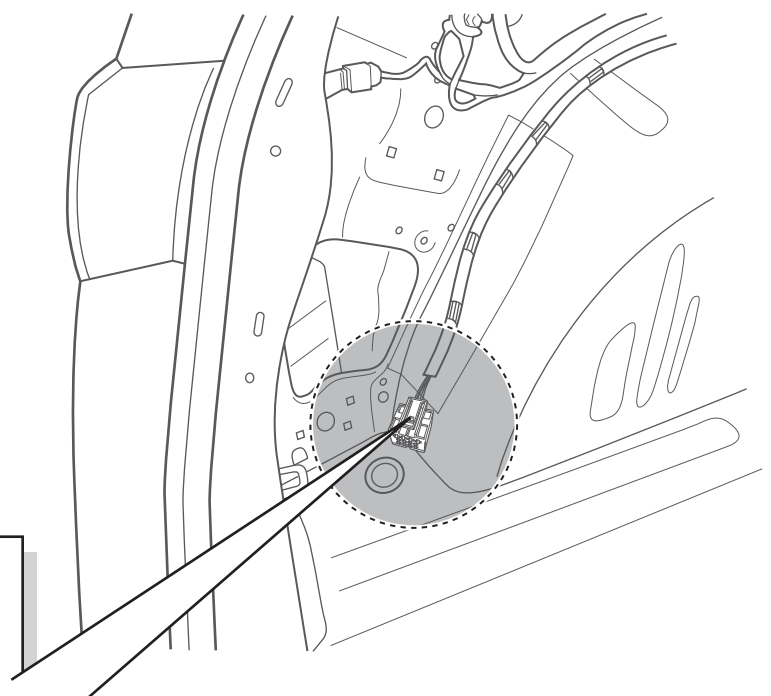
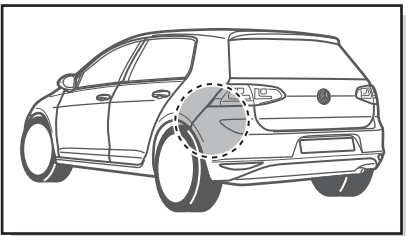
14



15

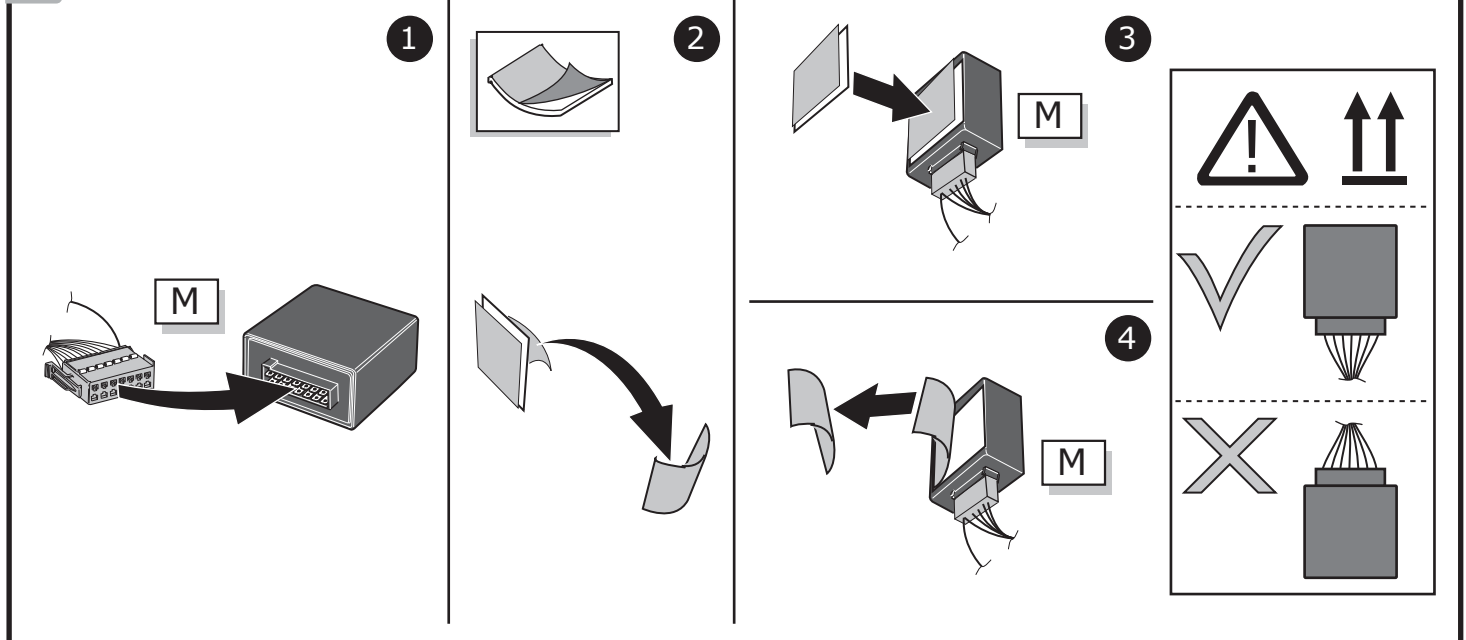


16

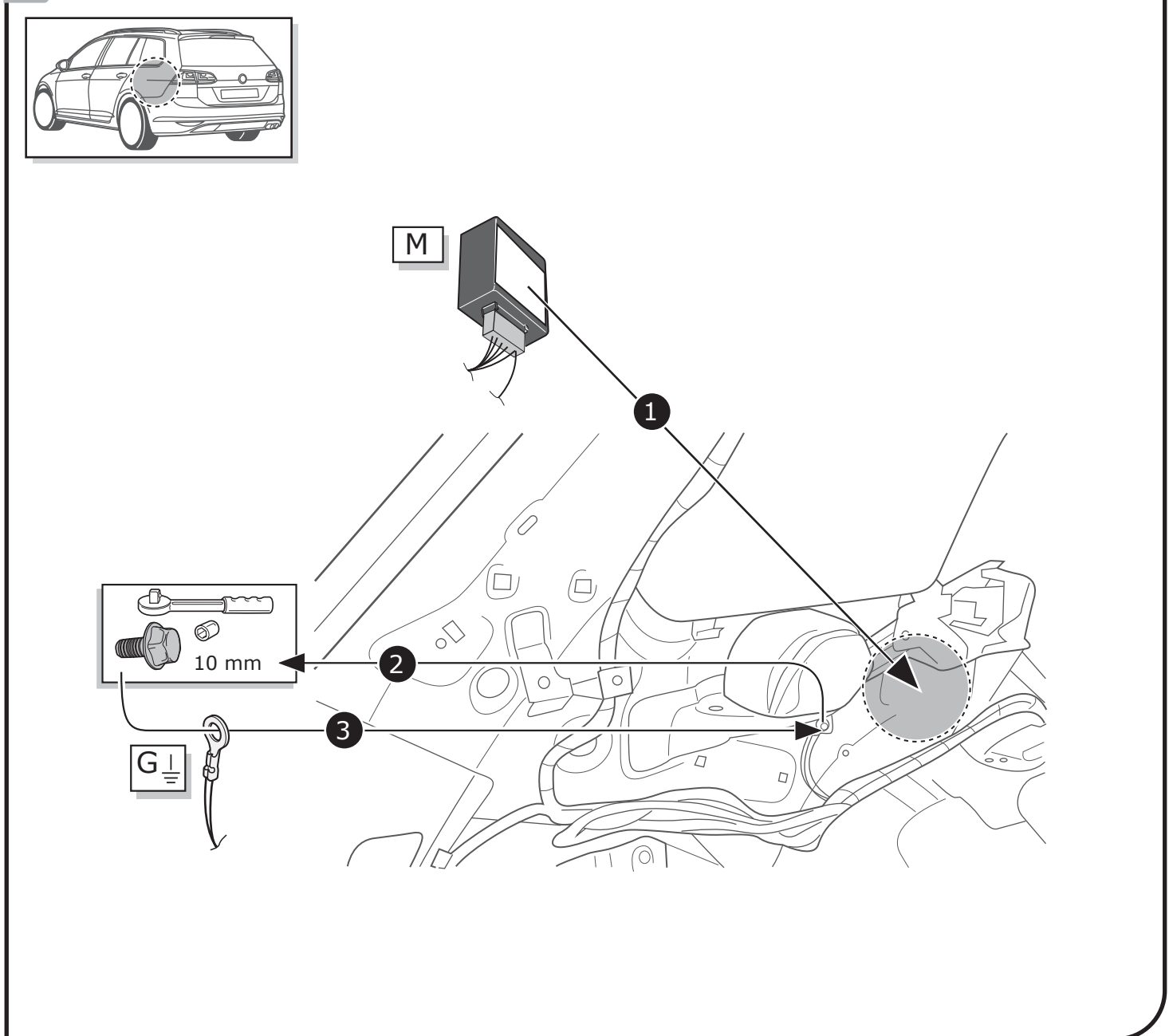




17

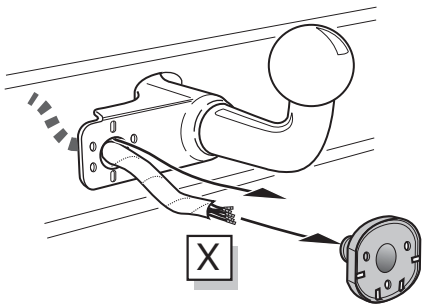


18

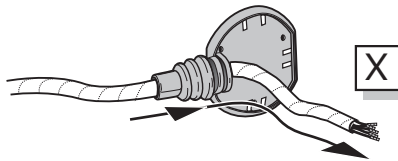


19

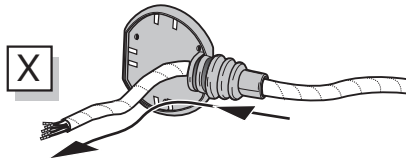
Option 1



Option 2



Option 3



INFO

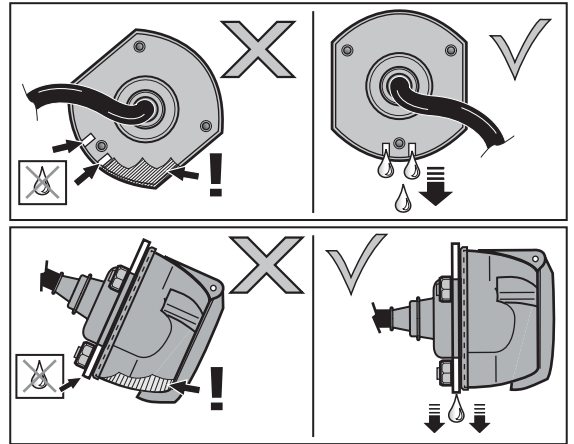
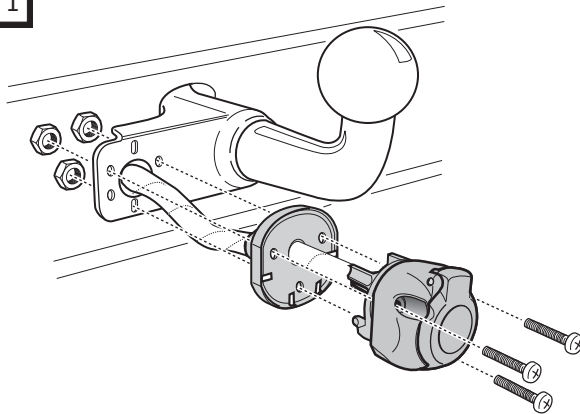
SOCKET CONNECTION



Page 13

A

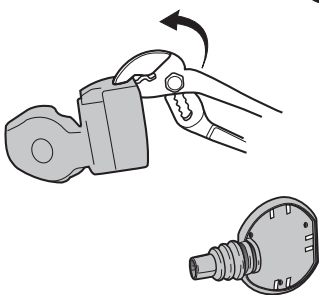
Option 1



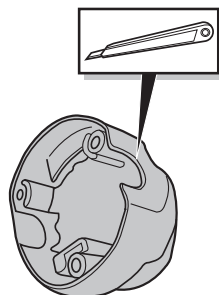
B

Option 2

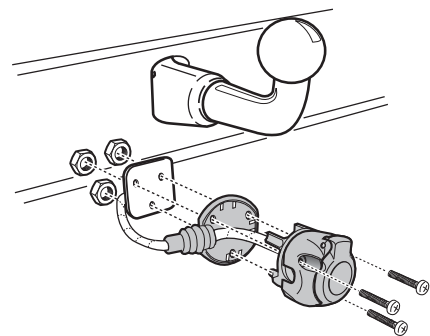
1



2



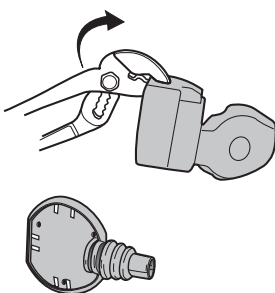
3



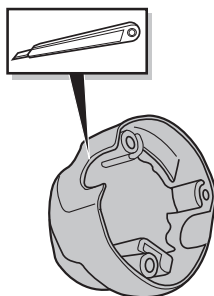
C

Option 3

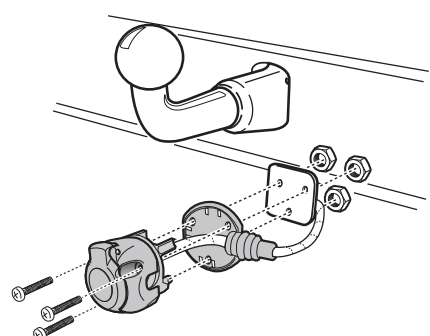
1

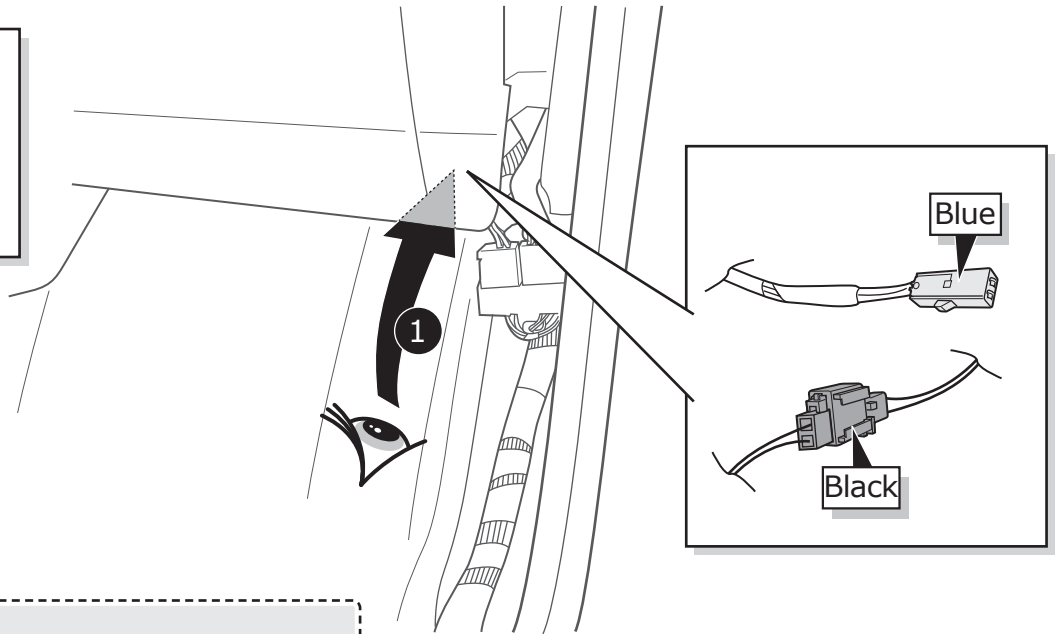
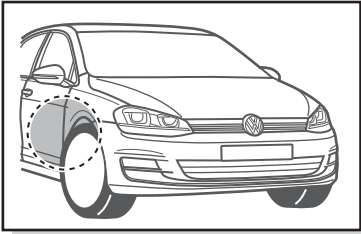


2

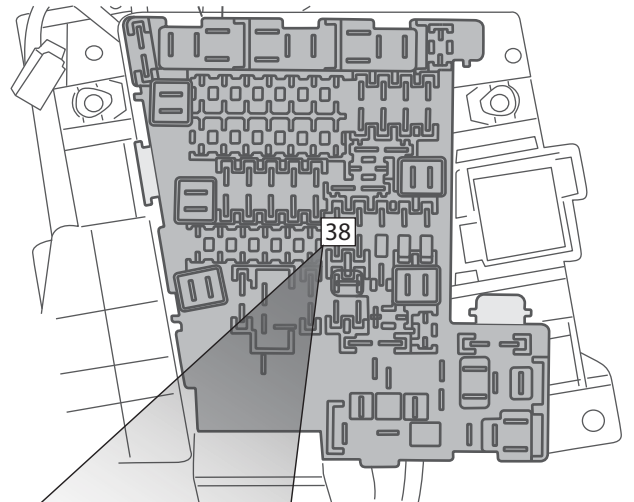
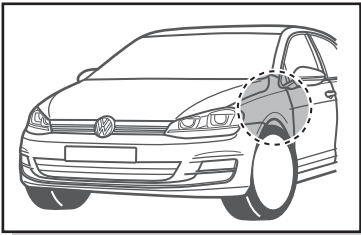
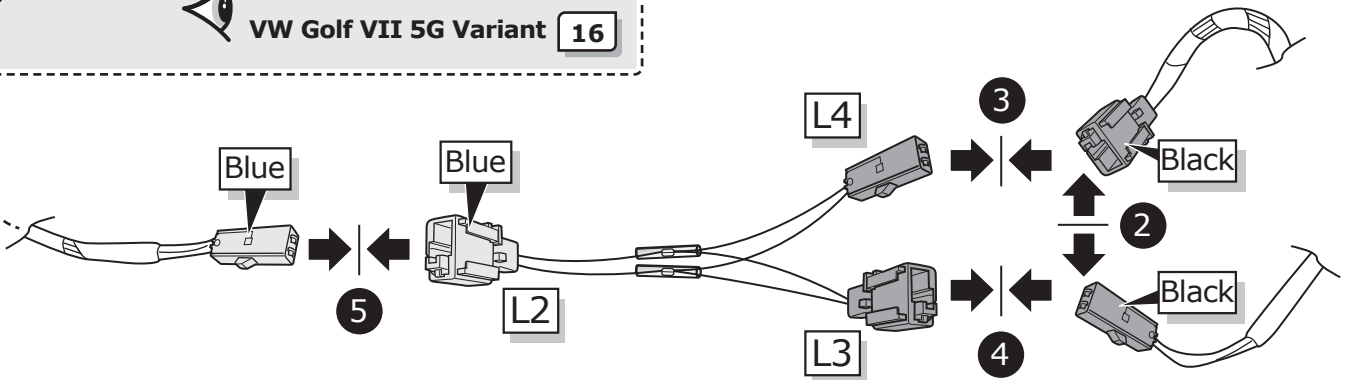



3



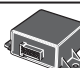




  
 VW Golf VII 5G Limoside **7**
  
 VW Golf VII 5G Variant **16**



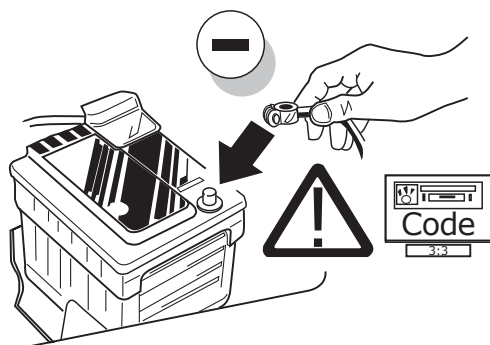

  
 20 Amp.

**Pos. 38**


  
 +30


  
 20 Amp.

22



23

## ONLINE CODING



24

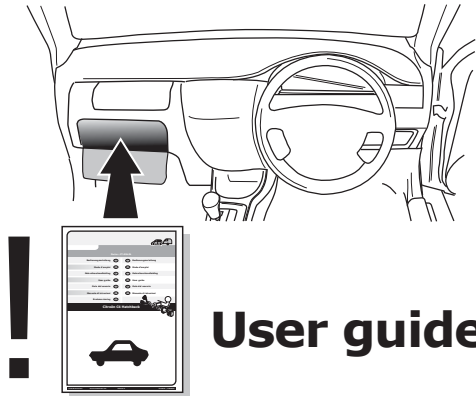
**!** WARNING! IT MUST BE ENSURED THAT ALL THE REQUIREMENTS OF THE VEHICLE MANUFACTURER FOR CHANGES TO AND RETRO-FITTING ON THE VEHICLE AND/OR COOLING SYSTEM FOR THE OPERATION WITH A TRAILER ARE CARRIED OUT. SUBJECT TO CHANGE.

25

**!** TEST ALL THE CIRCUITS WITH A TEST DEVICE WITH THE CORRECT POWER LOAD FOR EACH FUNCTION. A TEST DEVICE WITH LED'S CANNOT BE USED FOR THIS PURPOSE.

REINSTALL TRIM.

26

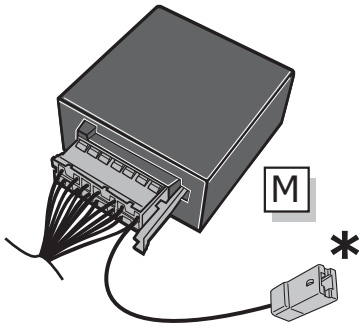


SOCKET CONNECTION

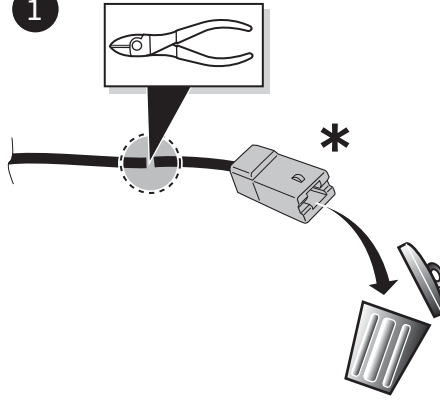
DIN/ISO 1724							
	1/L	2	3/31	4/R	5/58-R	6/54	7/58-L
Pmax	21W	21W		21W	42W	3x21W	42W
Colour	Black/ White	Blue	Brown	Black/ Green	Grey/ Red	Black/ Red	Grey/ Black

# Reverse signal preparation

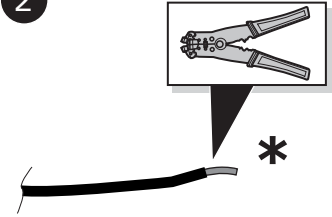
A



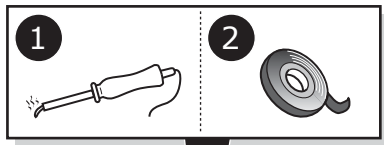
1



2



B



⚠ MAX = 21W

