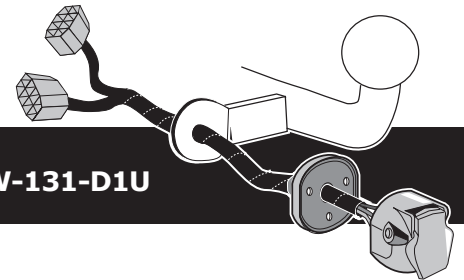


Seat Leon Limo 2013 - 04/2014



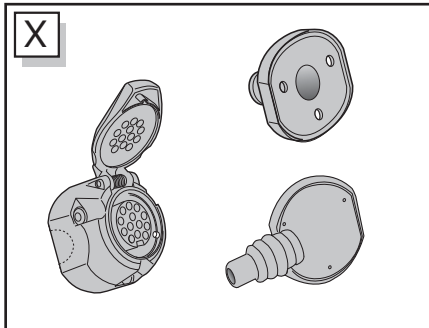
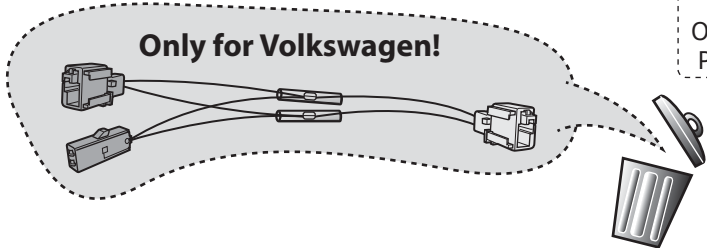
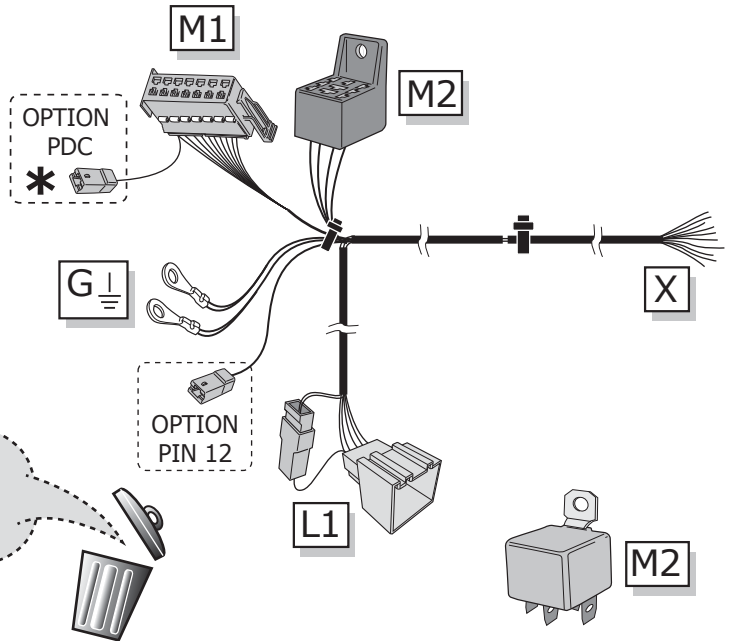
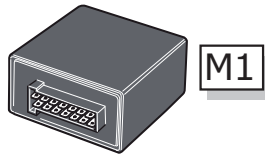
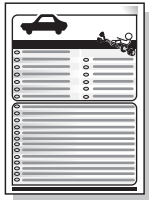
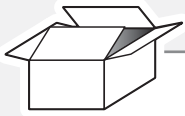
Only for models with towbar preparation

Partnr.: VW-131-D1U

- Fitting instructions electric wiring kit tow bar with 13-P socket up to DIN/ISO Norm 11446.
- We would expressly point out that assembly not carried out properly by a competent installer will result in cancellation of any right to damage compensation, in particular those arising by virtue of the product liability act.
- Contents of these kits and their fitting manuals are subject to alteration without notice, please ensure that these instructions are read and fully understood before commencing installation.
- Do not overload circuits; the maximum loads per connection are detailed in this manual.
- Attention! Before Installation, please read this manual carefully and inform your customer to consult the vehicle owners manual to check for any vehicle modifications required before towing.
- In the event of functional problems, troubleshooting must be limited to about 0.5 hours, contact the technical support:
ukts@ecs-electronics.com / 07440 202 052.



Part list



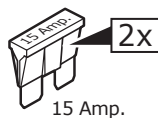
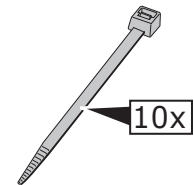
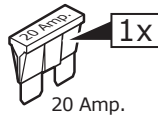
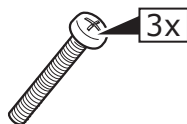
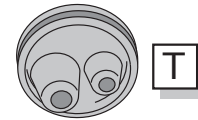
Option P.D.C. *

PARK DISTANCE CONTROL

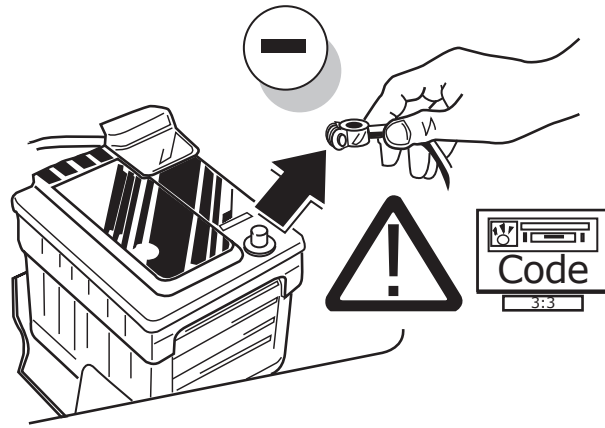
↓

PARK DISTANCE CONTROL

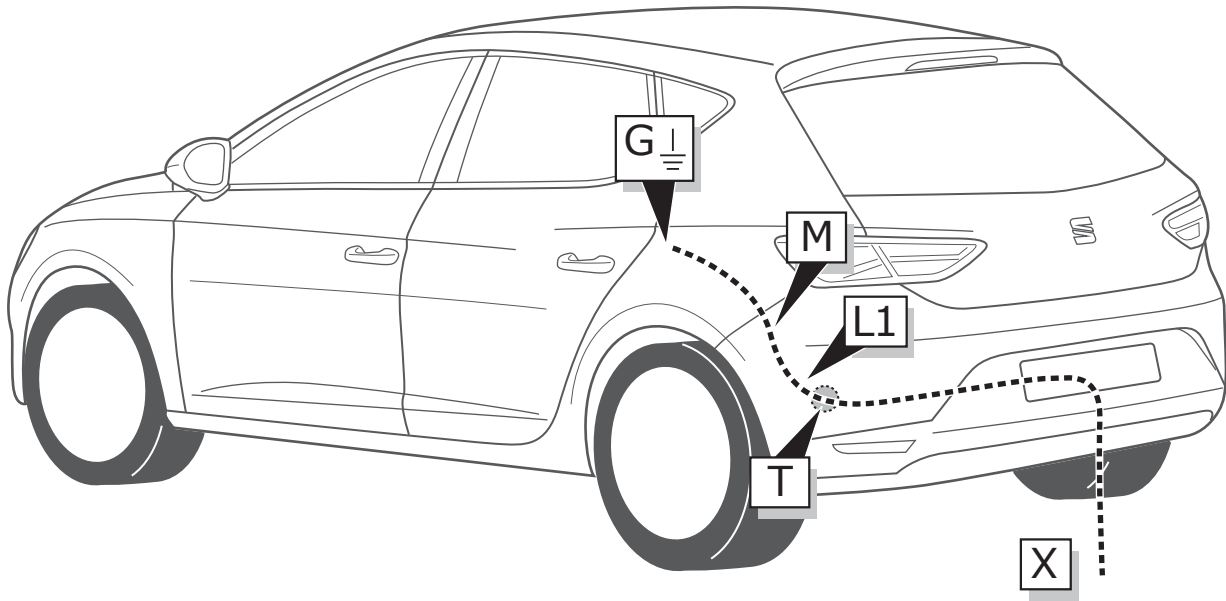
For not OEM P.D.C. System use the: VW-083-ZZ



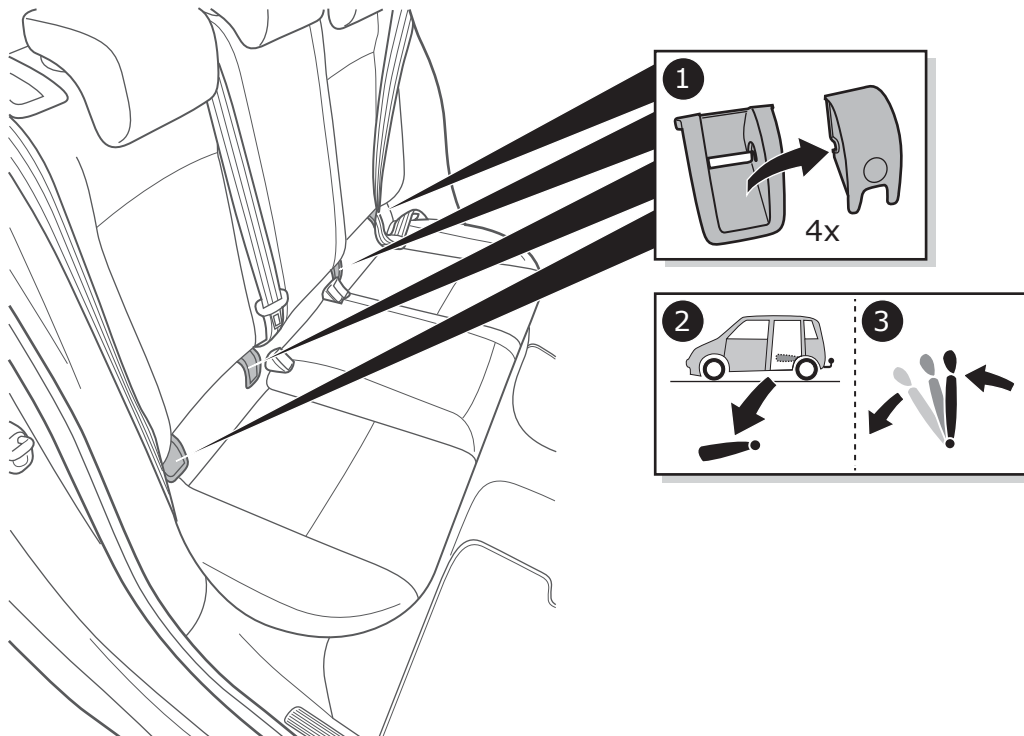
1



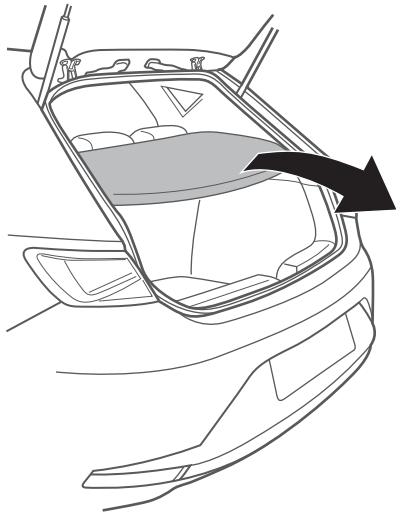
ROUTING



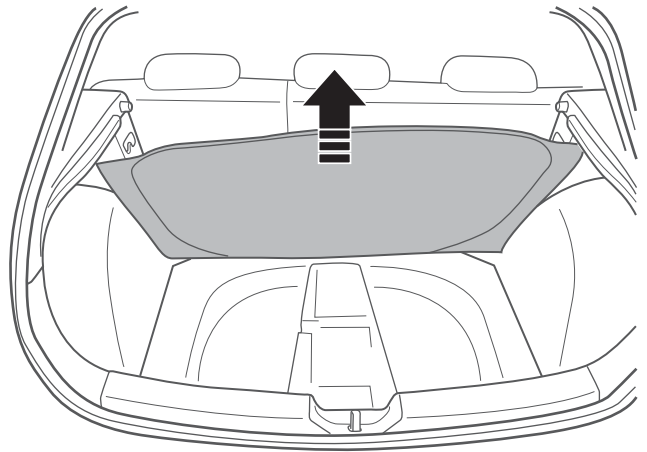
2



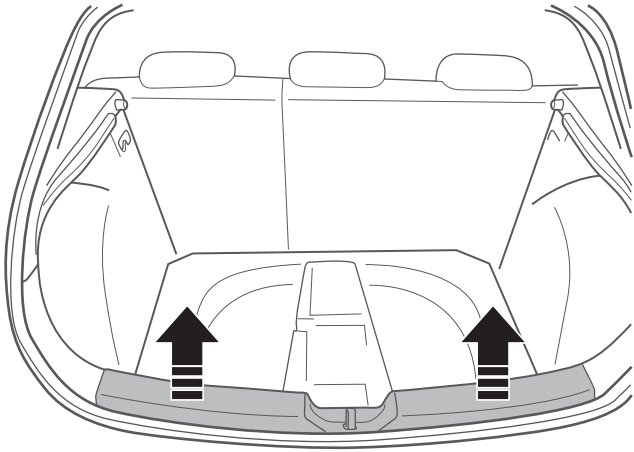
3



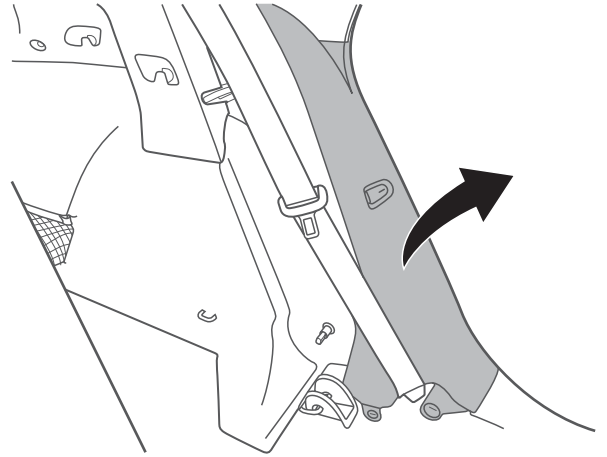
4



5

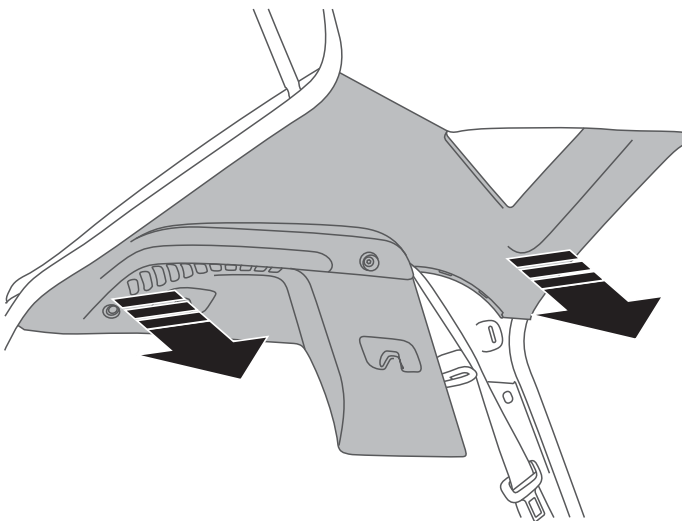


6

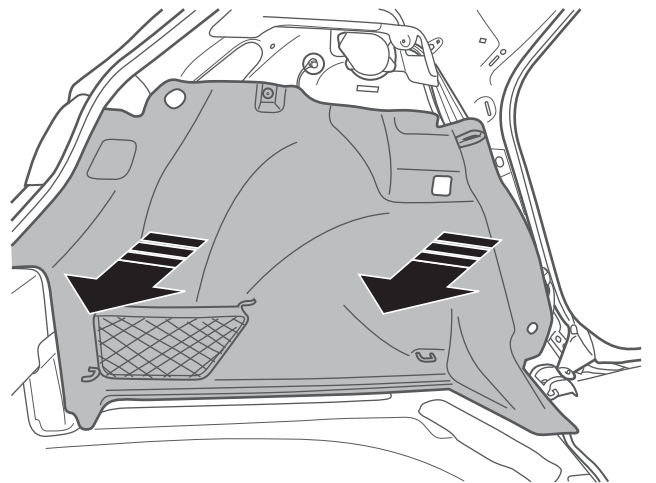


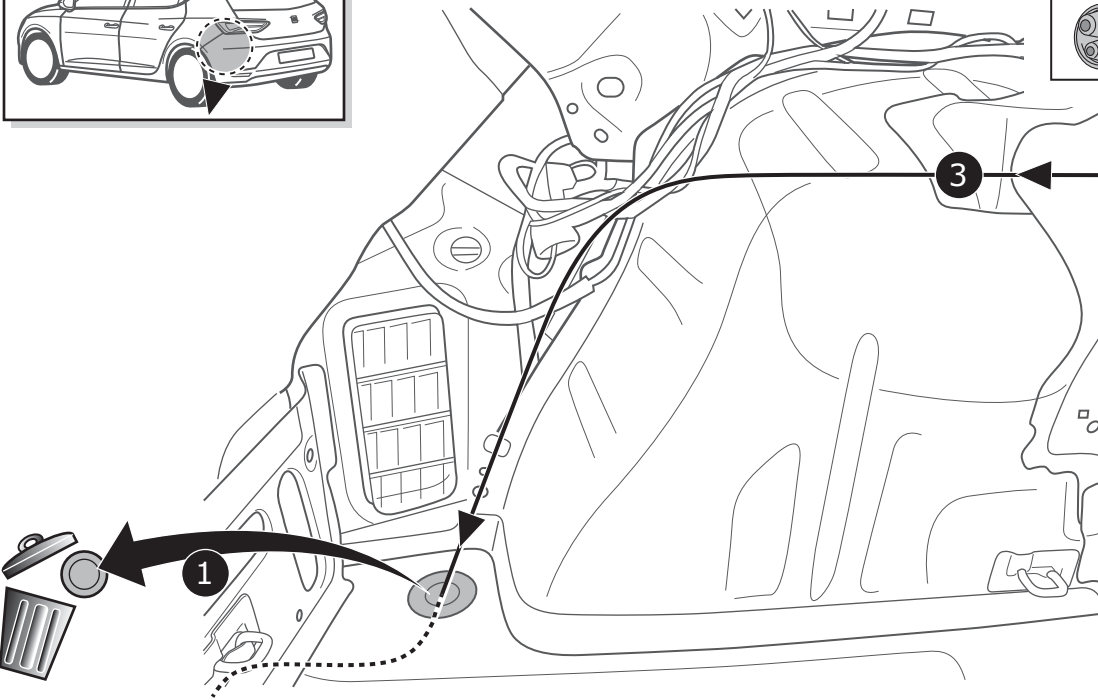
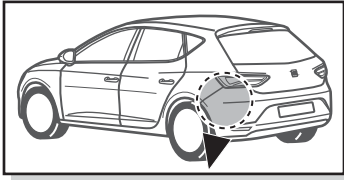
7

1



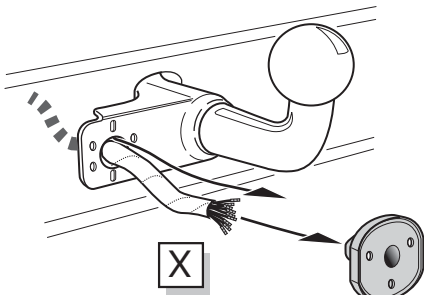
2



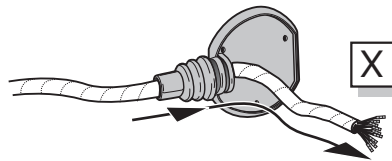


A

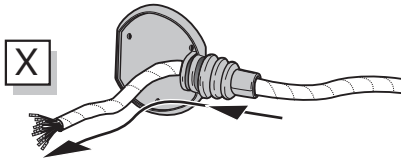
Option 1



Option 2



Option 3



INFO

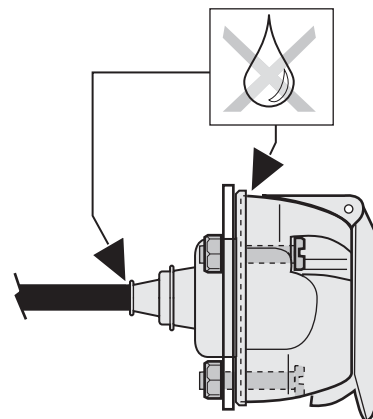
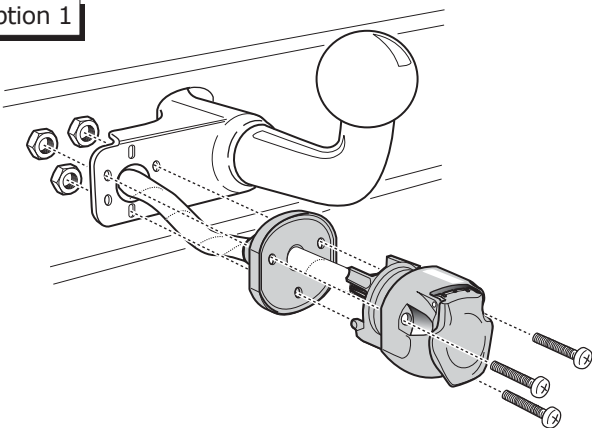
SOCKET CONNECTION

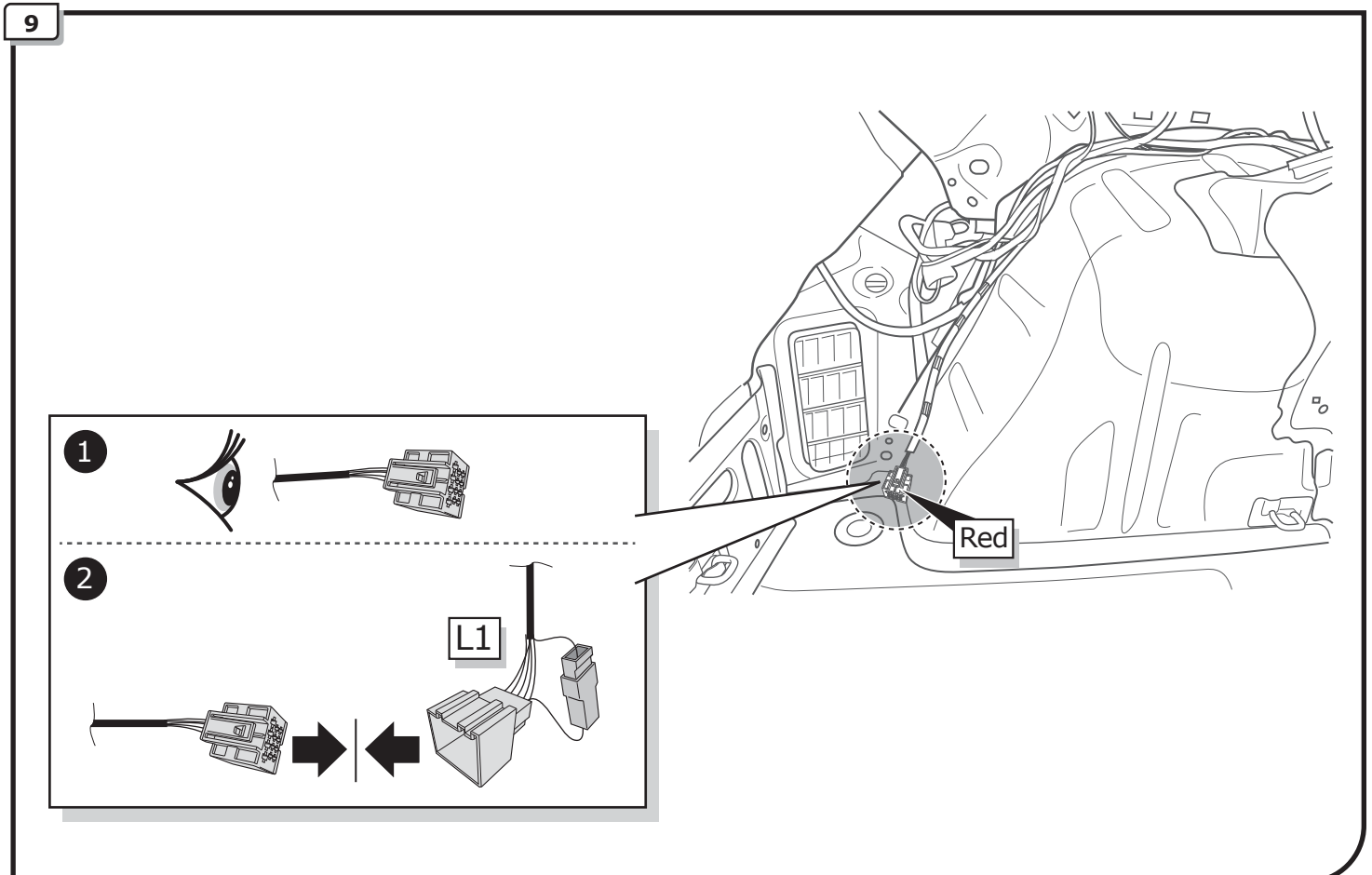
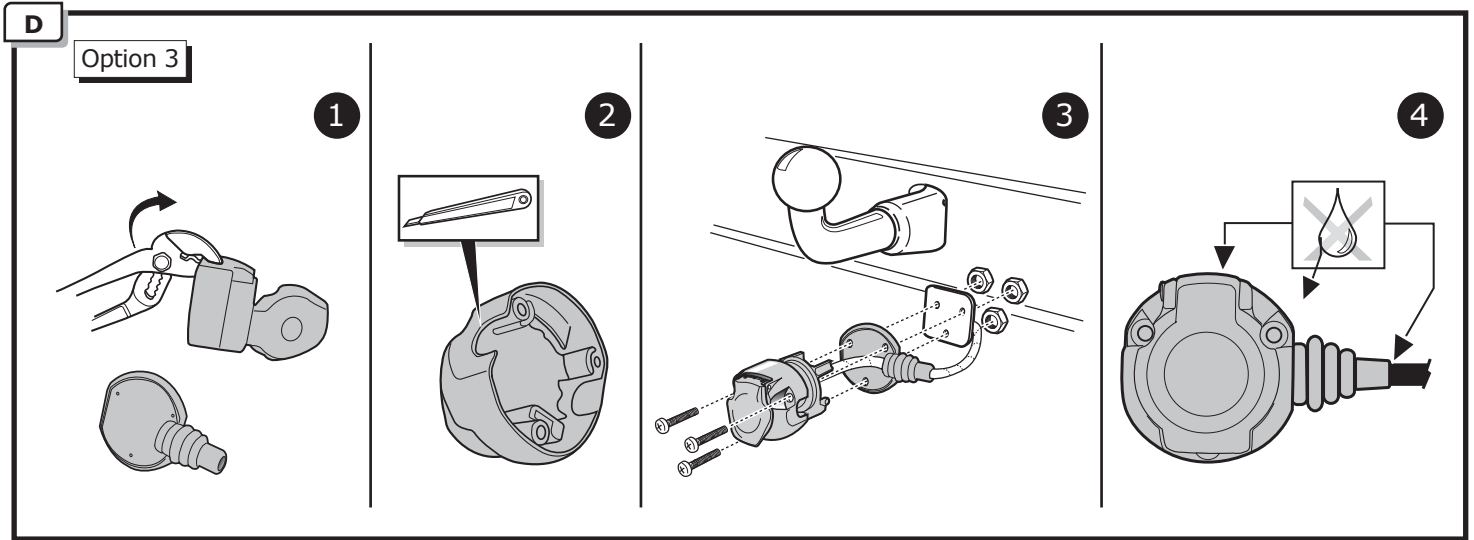
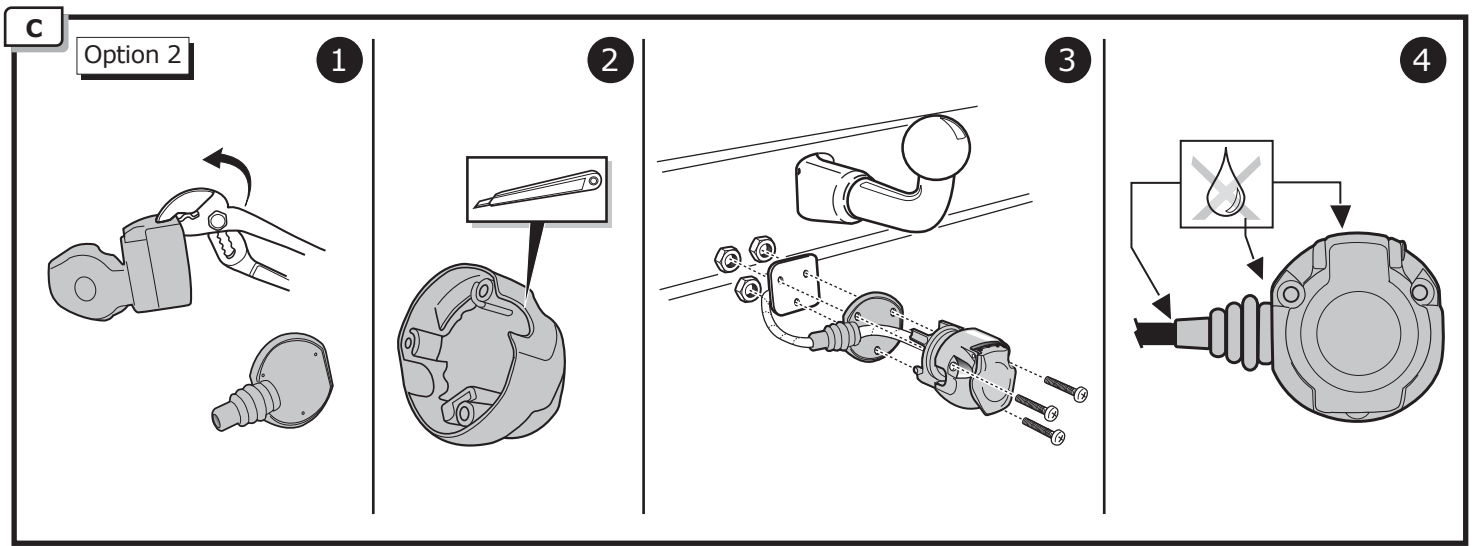


Page 10

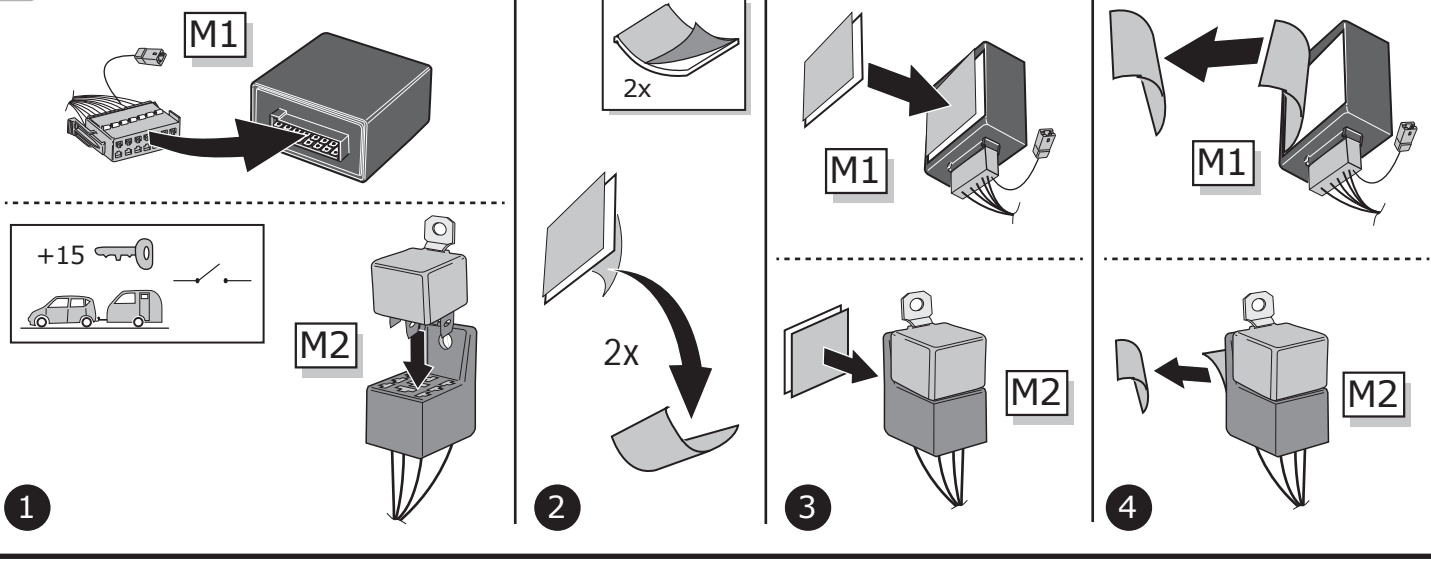
B

Option 1

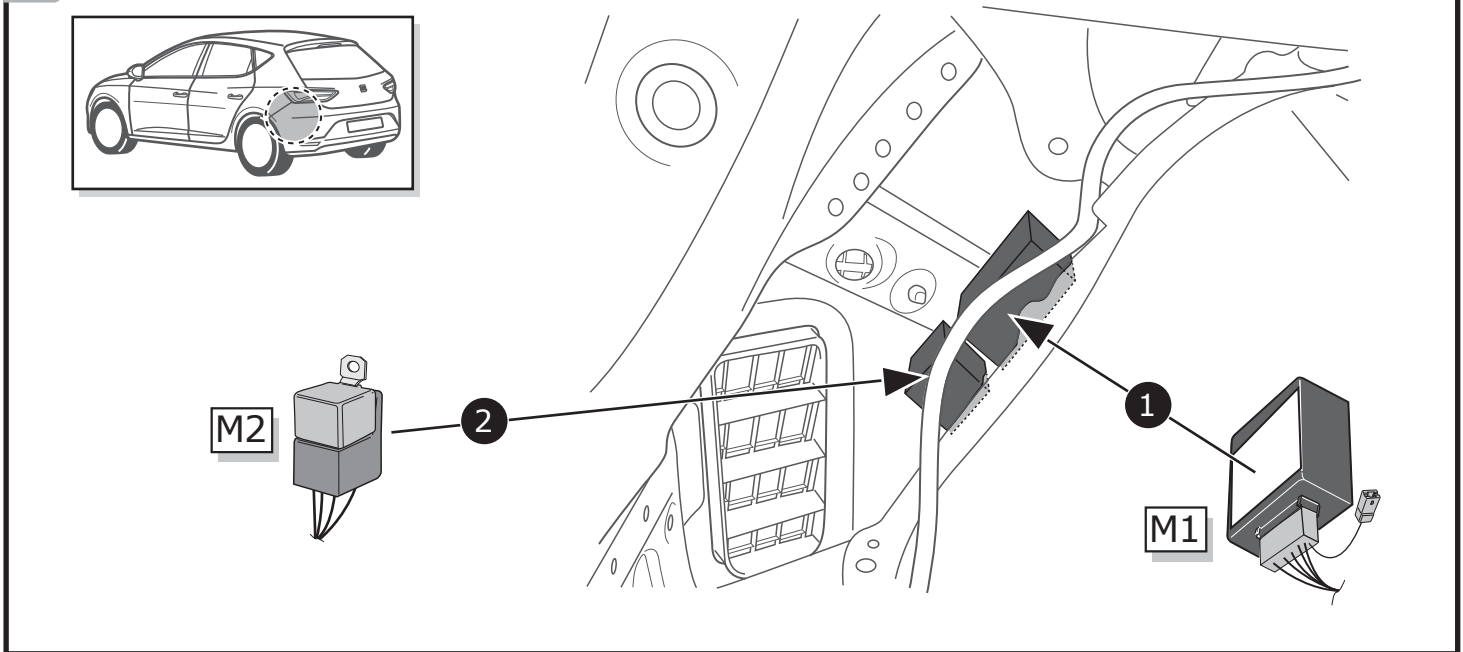




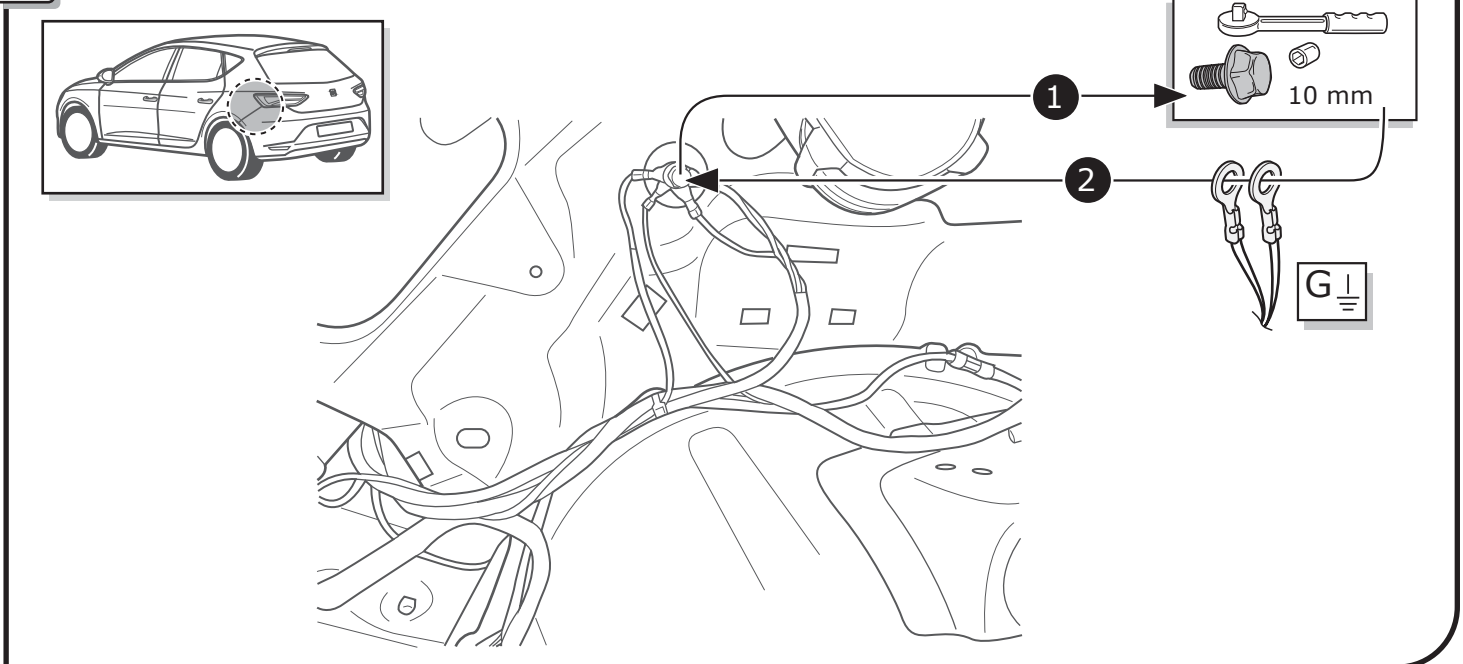
10



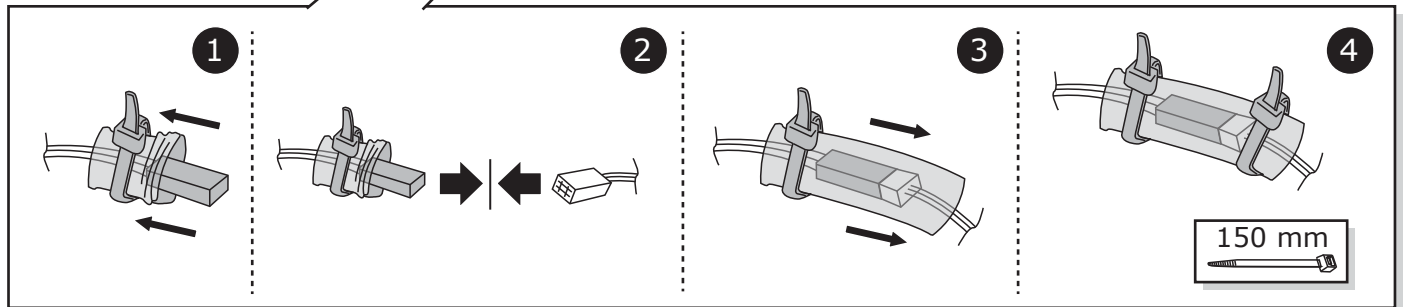
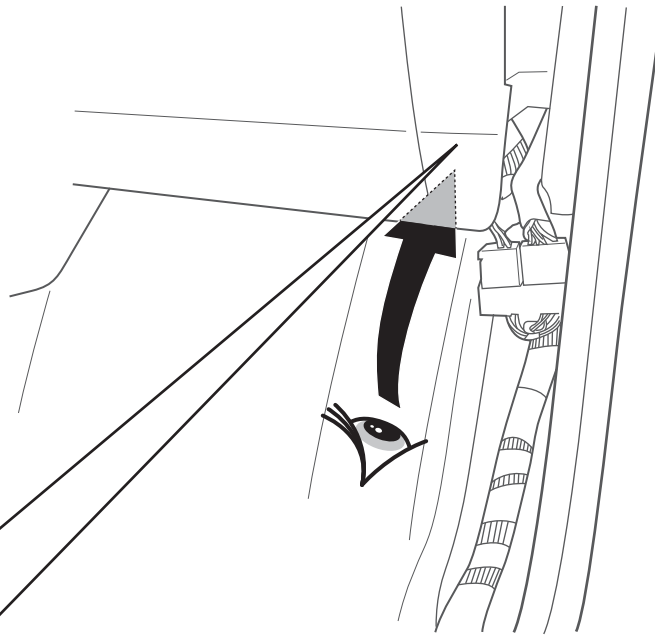
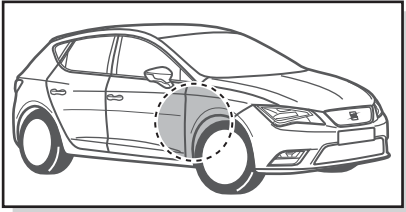
11



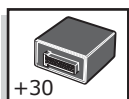
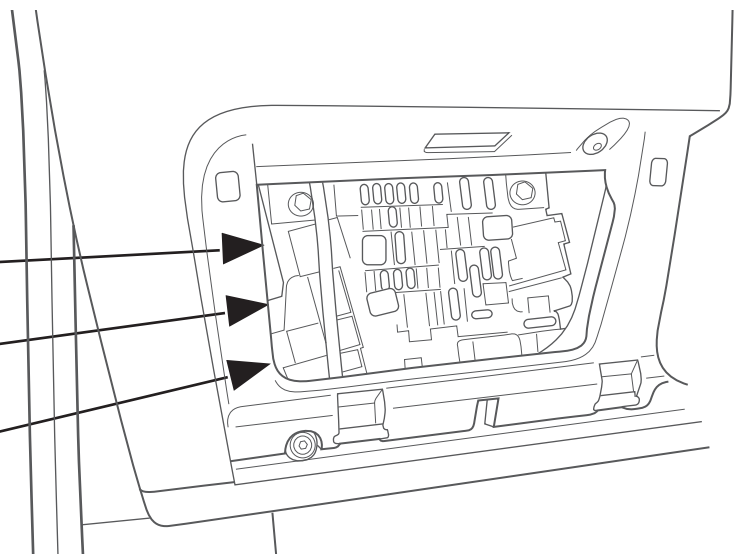
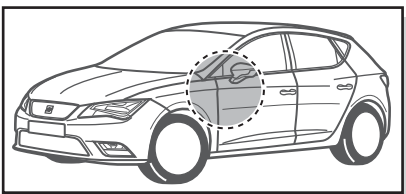
12



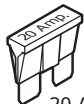
13



14

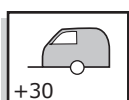


+30

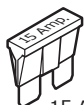


20 Amp.

PIN 38

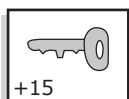


+30

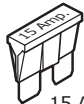


15 Amp.

PIN 28



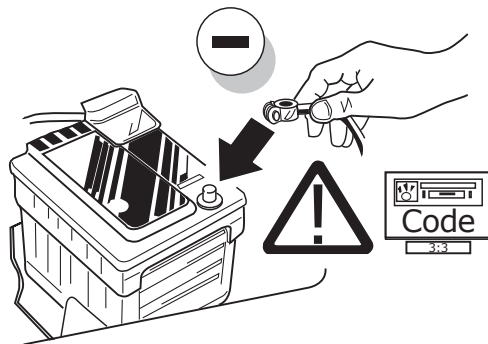
+15



15 Amp.

PIN 44

15



16

ONLINE CODING



17

! WARNING! IT MUST BE ENSURED THAT ALL THE REQUIREMENTS OF THE VEHICLE MANUFACTURER FOR CHANGES TO AND RETRO-FITTING ON THE VEHICLE AND/OR COOLING SYSTEM FOR THE OPERATION WITH A TRAILER ARE CARRIED OUT. SUBJECT TO CHANGE.

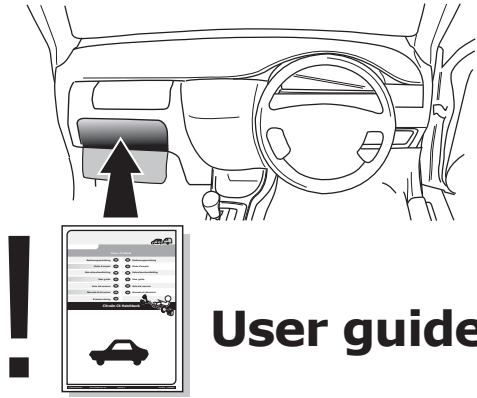
18

! TEST ALL THE CIRCUITS WITH A TEST DEVICE WITH THE CORRECT POWER LOAD FOR EACH FUNCTION. A TEST DEVICE WITH LED'S CANNOT BE USED FOR THIS PURPOSE.

INFO

REINSTALL TRIM.

19



INFO

SOCKET CONNECTION

DIN/ISO 11446													
	1/L	2	3/31	4/R	5/58-R	6/54	7/58-L	8	9	10	11	12	13
Pmax	21W	21W		21W	42W	3x21W	42W	21W	180W/15Amp	180W/15Amp			
Colour	Black/White	Blue	Brown	Black/Green	Grey/Red	Black/Red	Grey/Black	Black	Red	Yellow	Brown	Red/Blue	Brown