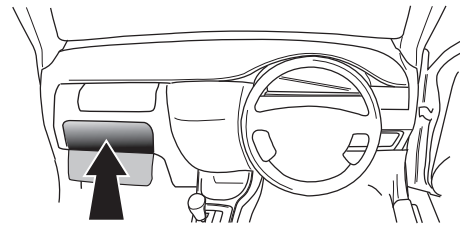


! INFO !

Do not charge the battery of the towing vehicle and/or towed vehicle directly via the socket.



User guide



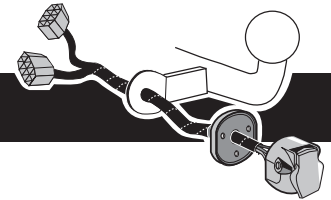
SPARE PARTS

www.ecs-electronicsuk.co.uk



Partnr.: VW-131-D1U

User Guide



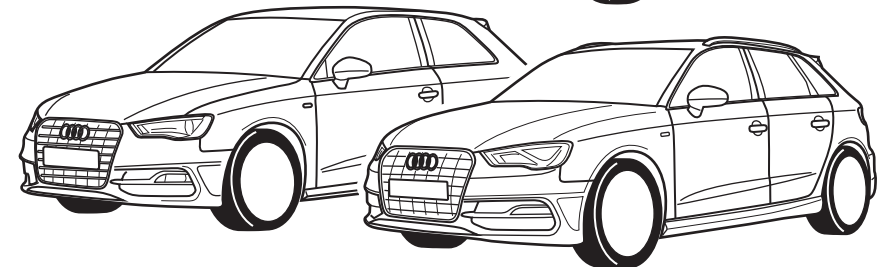
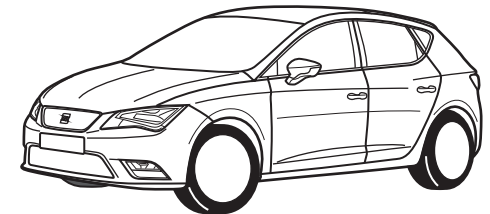
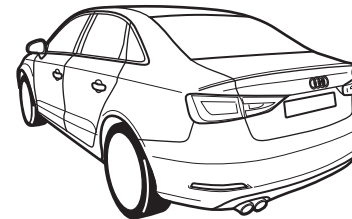
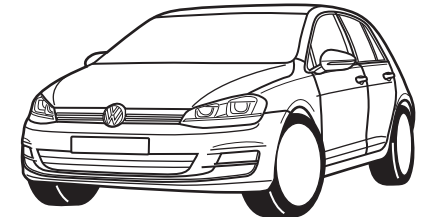
Only for models with towbar preparation

VW Golf VII 5G Limo 10/2012-04/2014
VW Golf VII 5G Variant 08/2013-04/2014

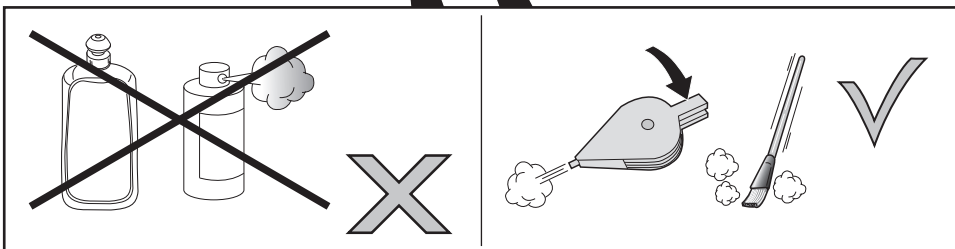
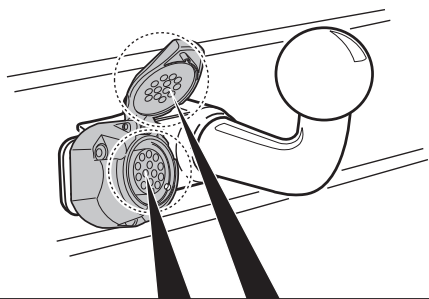
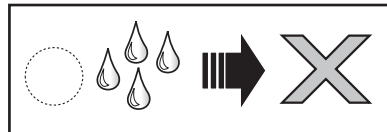
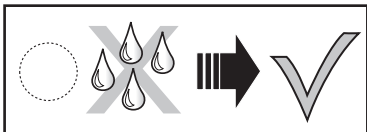
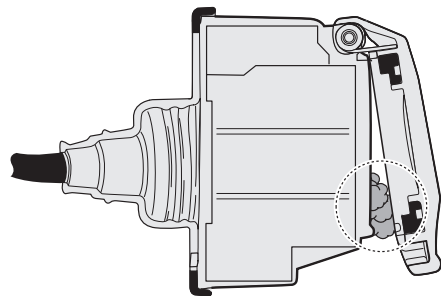
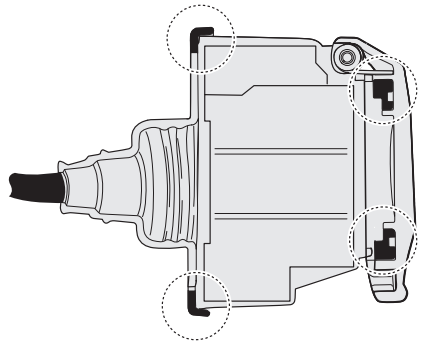
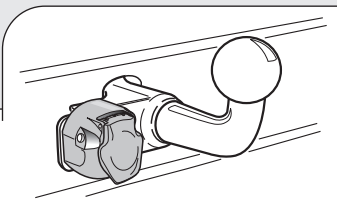
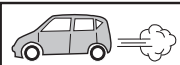
Audi A3 3D 2013-04/2014
Audi A3 Sportback 2013-04/2014
Audi A3 Limo 2014-04/2014

Skoda Octavia Limo 2012-04/2014
Skoda Octavia Combi 2013-04/2014

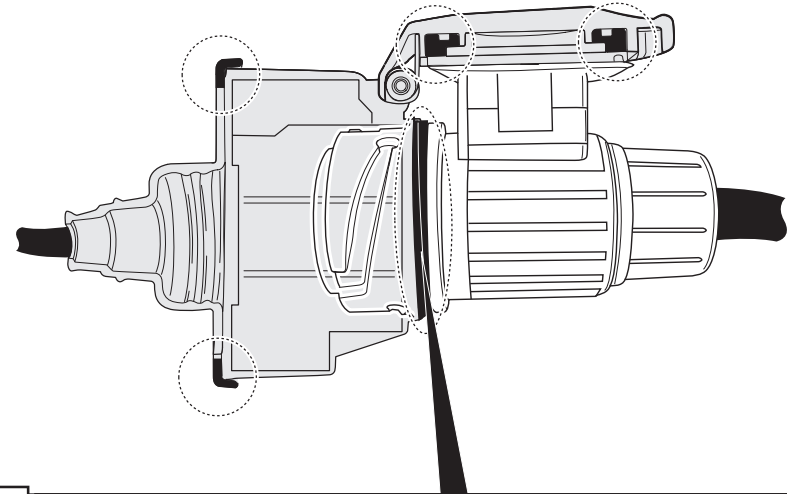
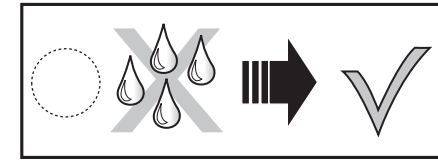
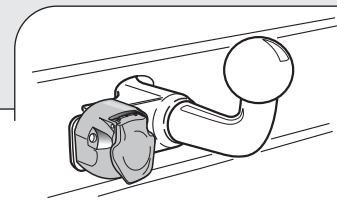
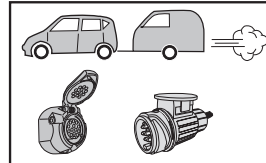
Seat Leon Limo 2013-04/2014



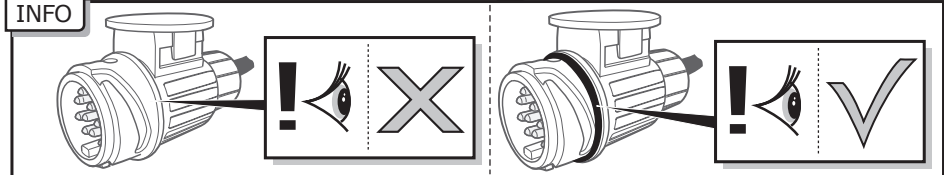
INFO



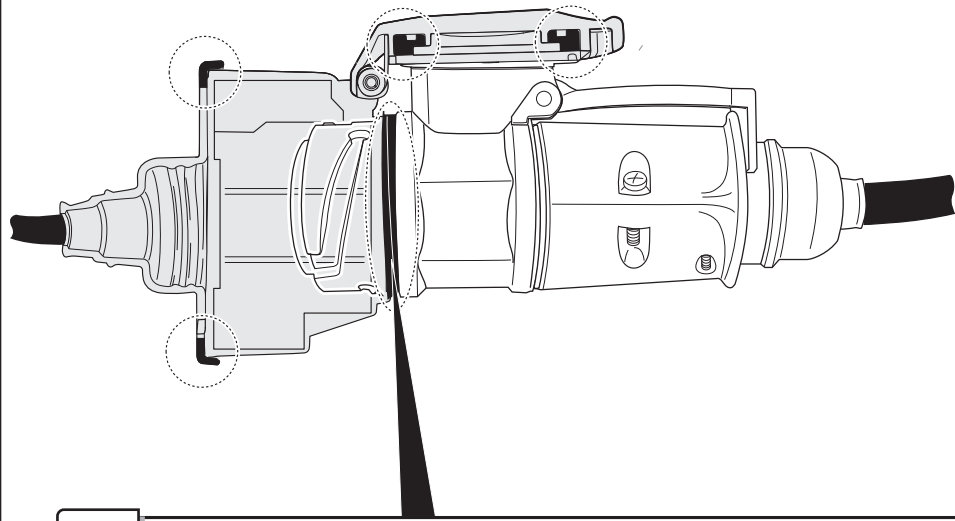
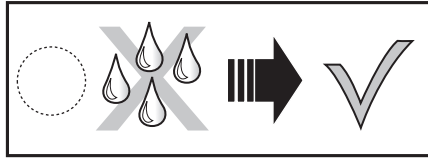
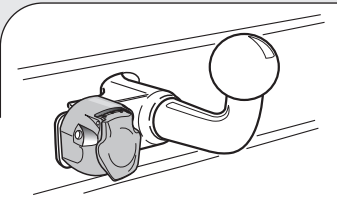
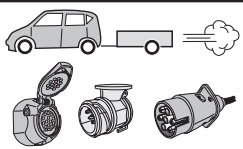
INFO : Ring.



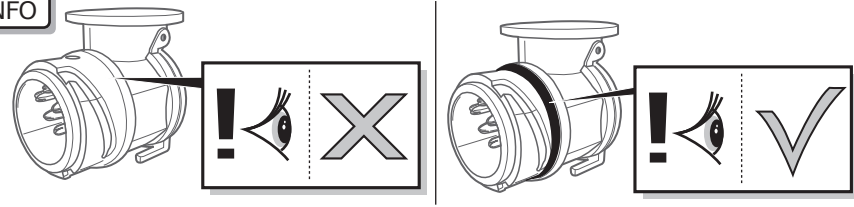
INFO



INFO : Adapt.

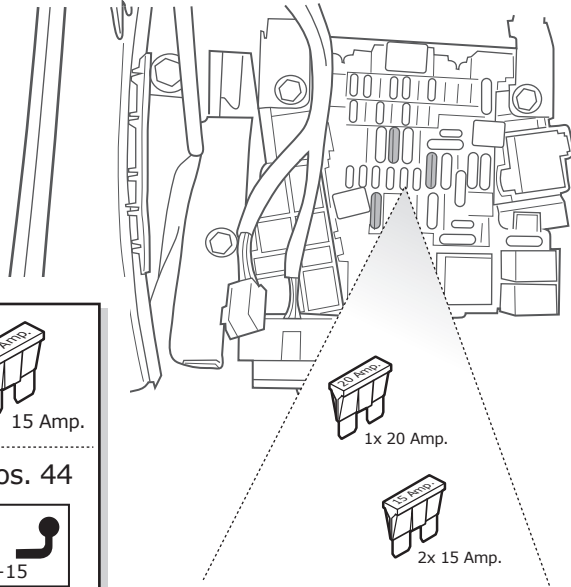
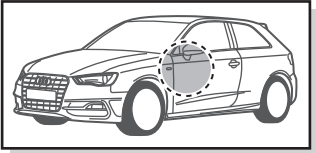








INFO



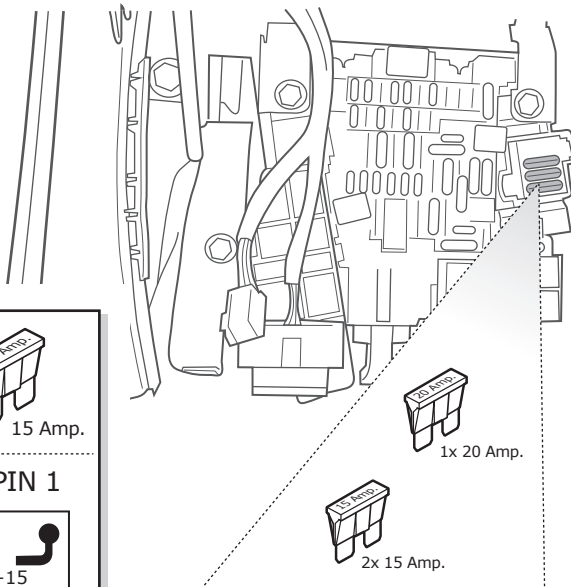
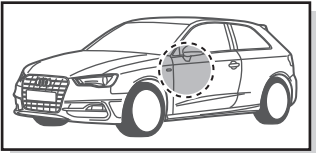
CHANGING THE FUSE







AUDI A3 -2014



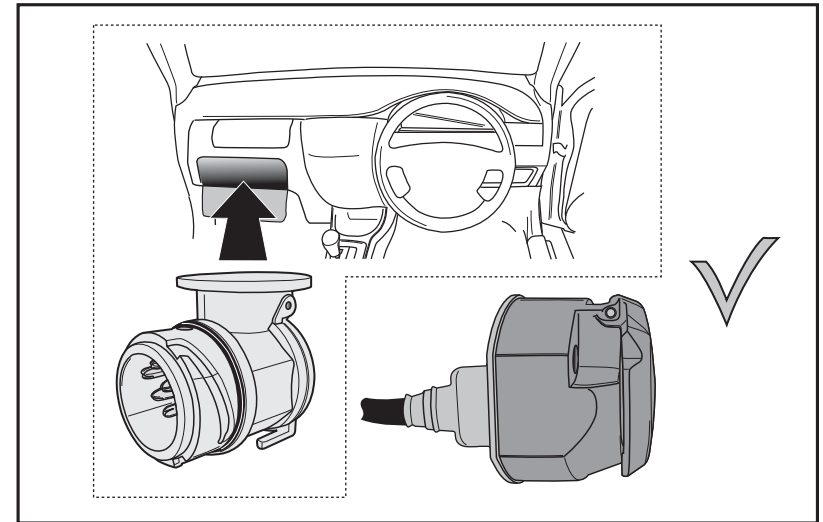
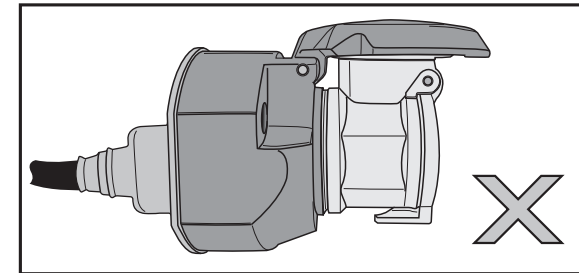
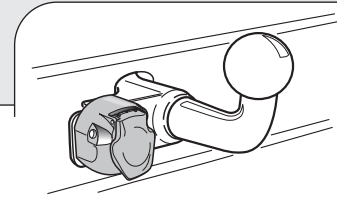
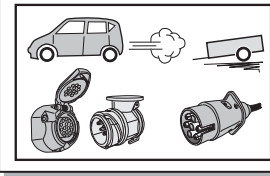
 20 Amp. Pos. 38  +30	 15 Amp. Pos. 28  +30	 15 Amp. Pos. 44  +15
---	---	---

AUDI A3 2014-



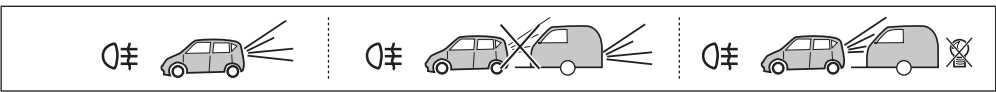
 20 Amp. PIN 3  +30	 15 Amp. PIN 2  +30	 15 Amp. PIN 1  +15
---	---	---

INFO : Storage

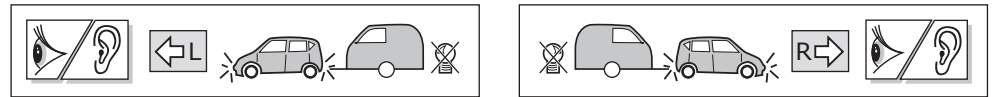


SOCKET CONNECTION

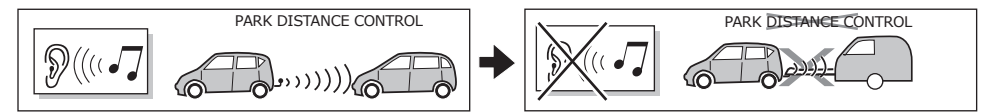
DIN/ISO 11446			1-8								10	11	12	13
	1/L	2	3/31	4/R	5/58-R	6/54	7/58-L	8	9	10	11	12	13	
Pmax	21W	21W		21W	42W	3x21W	42W	21W	180W/15Amp	180W/15Amp				
Colour	Black/White	Blue	Brown	Black/Green	Grey/Red	Black/Red	Grey/Black	Black	Red	Yellow	Brown	Red/Blue	Brown	



In a coupled trailer with working fog lamp, the fog lamp of the vehicle will be switched off, if applicable.

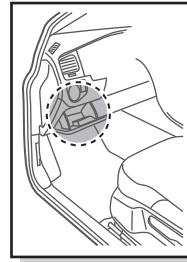


The flashing lights on the trailer are monitored. If one of the indicators of the trailer breaks down, a buzzer will be audible and/or a visual signal will be visible on the dashboard. Check the flashing lights on the trailer.



The wiring kit has a possibility to switch off any Park Distance Control in the case of a coupled trailer.

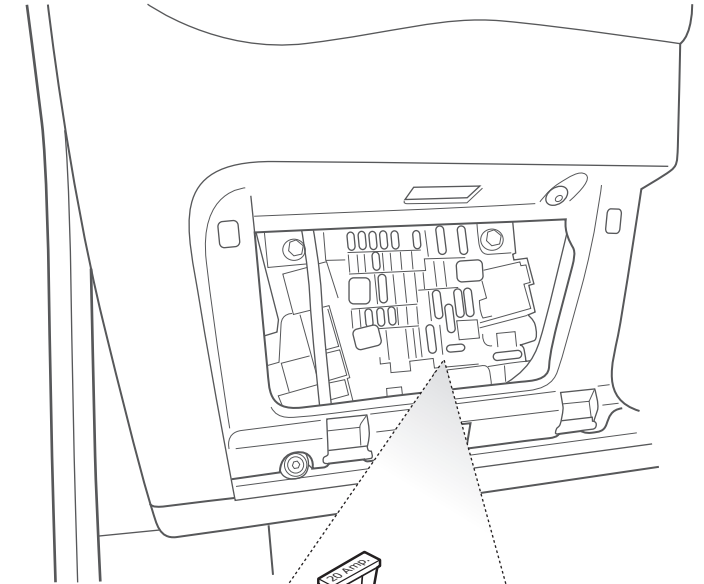
CHANGING THE FUSE



VW Golf VII 5G

Skoda Limo / Combi

Seat Leon Limo



1x 20 Amp.



2x 15 Amp.

20 Amp.
Pos. 38

15 Amp.
Pos. 28

15 Amp.
Pos. 44